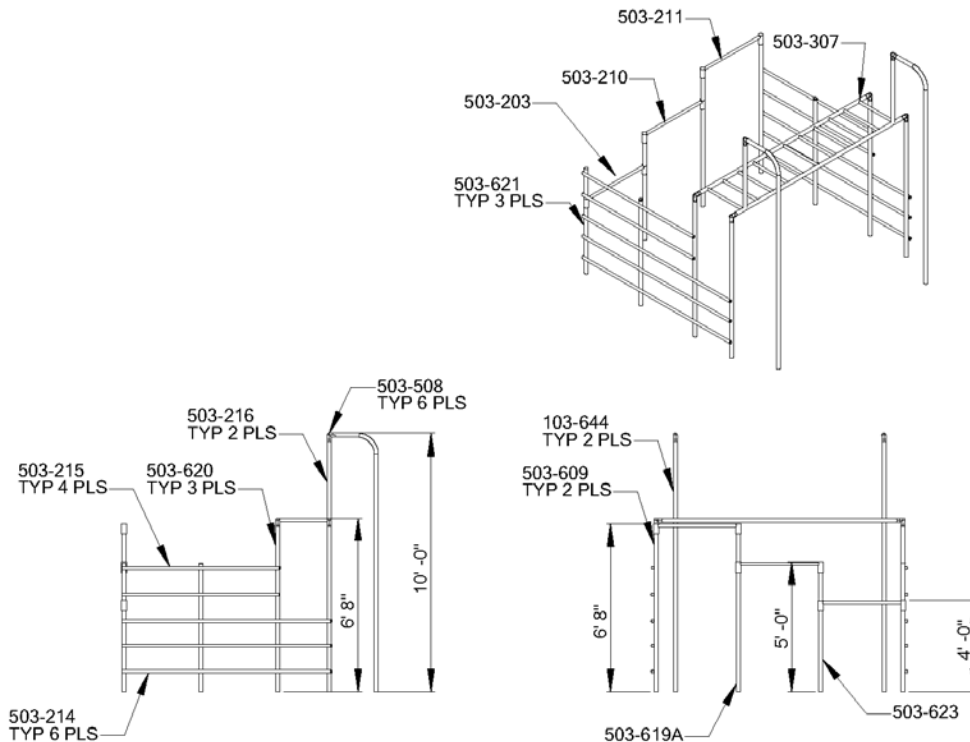


501-117 HERCULES II

* IMPORTANT *

PLEASE RETAIN THIS INSTRUCTION SHEET IN YOUR FILES. IT CONTAINS IMPORTANT REPLACEMENT PARTS INFORMATION. ALL EQUIPMENT SHOULD BE INSTALLED IN ACCORDANCE WITH THESE INSTRUCTIONS.

IT IS IMPORTANT TO USE AND MAINTAIN ALL PUBLIC PLAYGROUND EQUIPMENT PROPERLY. PLAYGROUND EQUIPMENT, WHICH IS IMPROPERLY MAINTAINED, CAN CAUSE SERIOUS INJURY. PERIODICAL INSPECTIONS, MAINTENANCE, REPAIR AND/OR REPLACEMENT OF DAMAGED PARTS IS NECESSARY FOR SAFE OPERATION OF EQUIPMENT AND SAFETY OF USERS. RESILIENT SURFACING SHOULD BE USED UNDER ALL PLAYGROUND EQUIPMENT. APPROPRIATE PUBLICATIONS, AVAILABLE AT NO CHARGE, FROM THE CONSUMER PRODUCT SAFETY COMMISSION, INCLUDE "A HANDBOOK FOR PUBLIC PLAYGROUND SAFETY." YOU CAN RECEIVE YOUR FREE COPY BY CALLING 1-301-504-7908.



PACKING LIST

1 CTN	- 1	Hardware	Bag
	- 6	503-508	Elbow
2 PIPE	- 1	103-644	Sliding Pole
1 BDL	- 2	503-216	Supports
1 BDL	- 3	503-620	Post
1 BDL	- 2	503-609	Post
1 BDL	- 3	503-621	Post
1 BDL	- 1	503-619A	Post
	- 1	503-623	Post
1 BDL	- 4	503-215	Rail
2 BDL	- 3	503-214	Rail
1 BDL	- 1	503-203	Turning Bar
	- 1	503-211	Turning Bar
	- 1	503-210	Turning Bar
1 WF	- 1	503-307	Ladder

HARDWARE BAG

3	-	105-016	1 7/8" Alum Pipe Plug
20	-	385-901	1 3/8" Plastic Pipe Plug
2 PR	-	425-517	1 7/8" T-Clamp
36	-	116-550	5/16" x 3" Button Hd Bolt
2	-	116-535	5/16" x 1 1/2" Button Hd Bolt
18	-	196-802	1/2" x 1/2" Socket Set Screw
40	-	326-501	5/16" Lock Washer
40	-	216-512	5/16" Button Hd Nut
2	-	416-350	3/16" Socket Key
1	-	416-400	1/4" Socket Key
2	-	805-532	Warning Label
2	-	805-534	SportsPlay Label
1	-		Maintenance Checklist

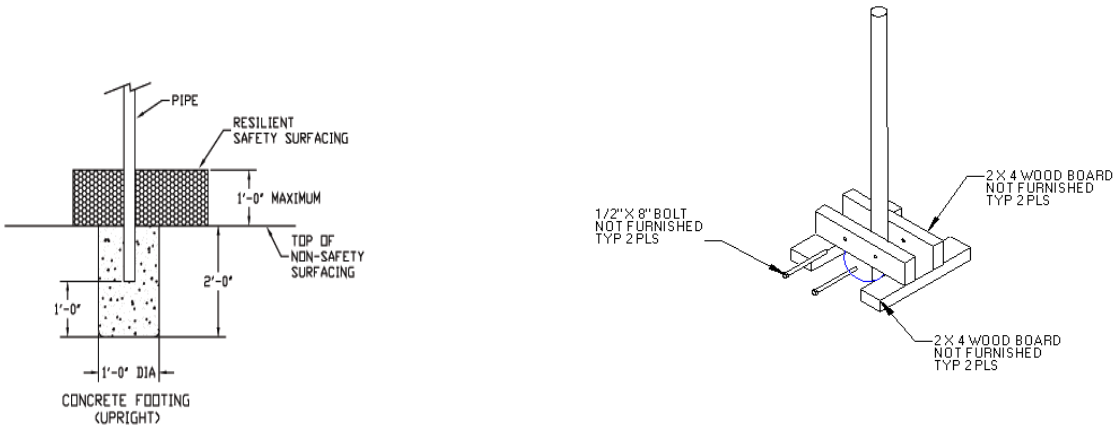
1 CTN	2 PIPE	9 BDL	1 WF	13 TOTAL PCS	WT 390#	CLASS 70
-------	--------	-------	------	--------------	---------	----------

GENERAL USE/FALL ZONE & FOOTING RECOMMENDATIONS

STATIONARY & PORTABLE EQUIPMENT - USE/FALL ZONES SHOULD EXTEND A MINIMUM OF 6 FEET IN ALL DIRECTIONS FROM THE PERIMETER OF THE EQUIPMENT GROUND SPACE. THIS AREA SHOULD BE COVERED WITH THE REQUIRED AMOUNT OF RESILIENT SAFETY SURFACING MATERIAL. FOR SOME EQUIPMENT - USE/FALL ZONES CAN OVERLAP. SEE CONSUMER PRODUCT SAFETY COMMISSION GUIDELINES. DIAMETER & DEPTH OF FOOTING ILLUSTRATED ARE SATISFACTORY IN MOST APPLICATIONS FOR PIPE SIZES UP TO 2 3/8" DIAMETER. VARYING SOIL & CLIMATIC CONDITIONS MAY REQUIRE DEEPER & HEAVIER FOOTINGS IN SOME AREAS. CHECK LOCAL BUILDING CODES.

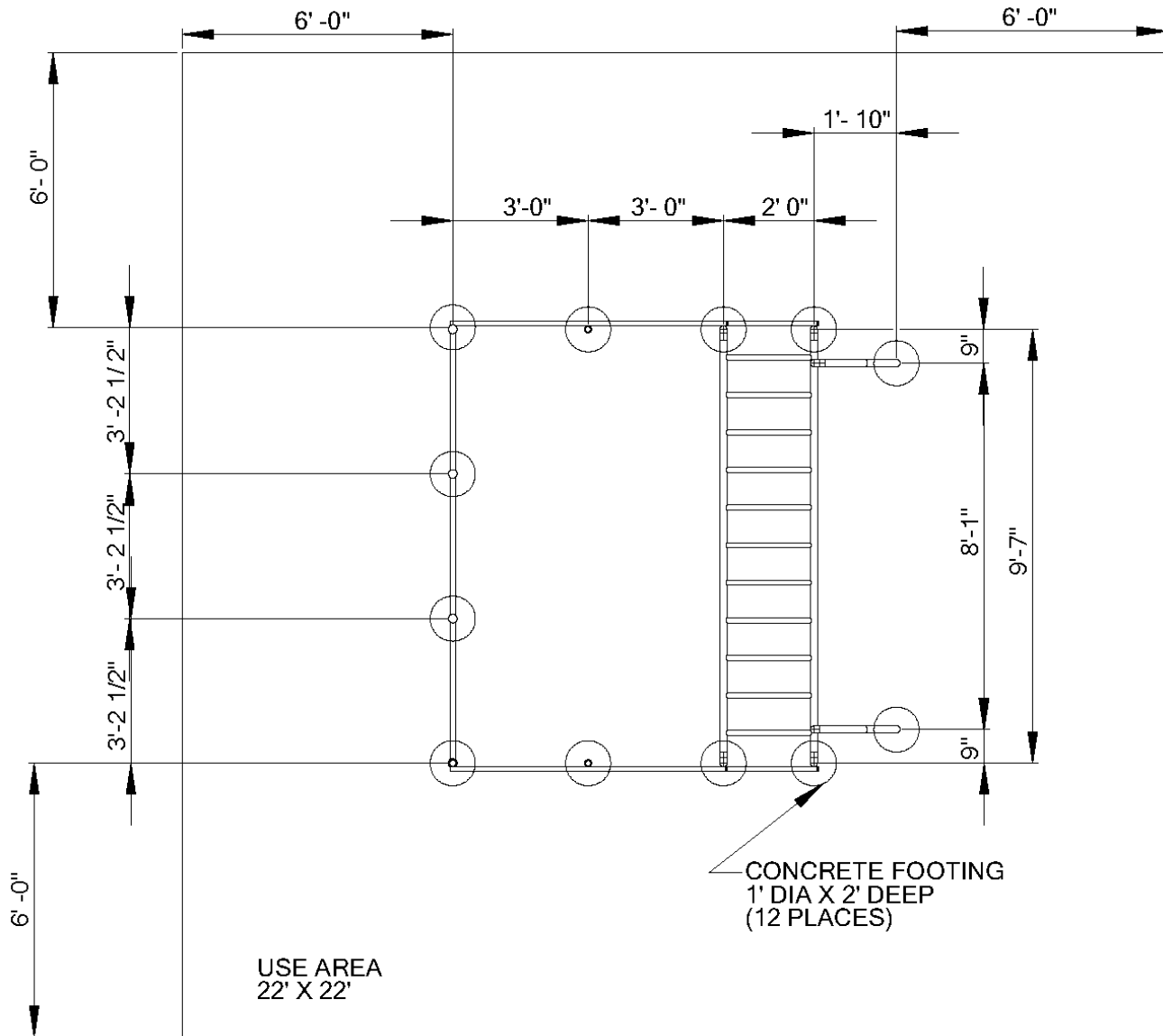
DETAIL: Permanent Installation
Upright

Suggested Bracing Method



* If resilient surfacing is to be less than 12", then additional pipe should be put in concrete to maintain proper finish grade for equipment.

501-117 HERCULES II



GENERAL ASSEMBLY INSTRUCTIONS:

Check all the parts and hardware with the packing list to be sure you have received everything needed to assemble this product. CONTACT YOUR LOCAL DISTRIBUTOR WITH NOTIFICATION OF ANY MISSING OR DAMAGED PARTS. Contact must be made within ten days of receipt of your order.

Only hand-tighten nuts & bolts on initial assembly. Final tightening should be done EVENLY after final assembly when unit has been plumbed & leveled. After assembly is complete, ANY ENDS OF BOLTS PROTRUDING BEYOND NUTS SHOULD BE CUT OFF AND/OR PEENED OVER TO REMOVE ANY SHARP EDGES. Go over entire unit to file smooth any sharp edges or projections that may have been caused by rough handling in shipping or installation. T-Clamps are designed for both one and two bolt connections. In many situations only one bolt is required. See specific assembly instructions. On products with platforms install 1 - 2 degrees off level to facilitate water drainage.

GENERAL MAINTENANCE INSTRUCTIONS:

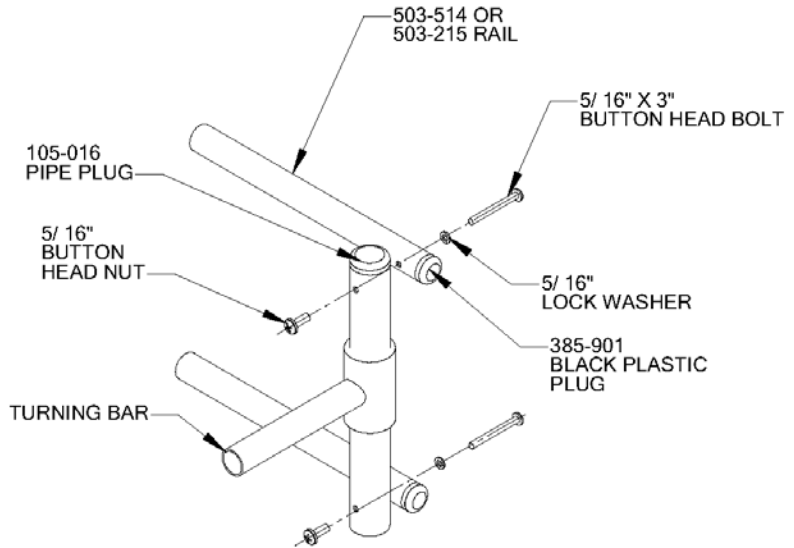
Check MONTHLY for loose bolts, damaged or broken parts. Tighten and/or replace immediately.

SPECIFIC ASSEMBLY INSTRUCTIONS:

- NOTE: All threaded ends of bolts protruding beyond nuts must be cut off and/or peened to eliminate sharp edges. No more than two threads should extend beyond face of nut. All washers, "T" nuts, and other fastener hardware used on round pipe or tubing must be hammered down to conform to the curved underlying surface to eliminate catch points.
- STEP #1: Mark & dig footing holes per drawing on PAGE #3.
- STEP #2: Assemble Horizontal Ladder portion of unit per DETAIL C page 6. Brace in footing holes so that end of pipe is 24" below intended level of resilient surfacing.
- STEP #3: Brace & slide Support Posts (503-621 & 1 - 503-620) in footing holes. Attach (3) long Side Rails (503-214) to each side. SEE DETAIL A page 5.
- STEP #4: Brace Turning Bar Posts (503-211 & 503-619A) in footing holes per drawing on PAGE #3.
- STEP #5: High Turning Bar (503-211) height is fixed. Other two Turning Bar Heights can be adjusted downward from the recommended 5'-0" & 4'-0" heights. Slide Turning Bar (503-203) over posts & position to desired height. If the Turning Bar (503-210) height is to be lowered cut off desired amount from the top of the Post (503-623). SEE DETAIL B page 5.
- STEP #6: Position Turning Bar (503-210), then Turning Bar (503-211) per DETAIL B.
- STEP #7: Attach (2) short Side Rails (503-215) to each side.
- STEP #8: Assemble & attach Slide Poles per drawing on PAGE #3. SEE DETAILS C & D page 6. Brace in footing holes.
- STEP #9: Drive Aluminum Pipe Plugs into tops of Posts (503-621) & Black Plastic Pipe Plugs into open ends of Side Rails. File off any metal shavings due to the result of driving Aluminum Pipe Plugs.
- STEP #10: Plumb & level. Tighten all nuts & bolts so that lock washers are flat. Pour Concrete. Wait 48 hours before removing braces, installing Resilient Surfacing & using equipment.
- STEP #11: Attach Warning Label and Manufacturer's Identification Label to a clean surface. The Labels should be attached in a location where they are clearly visible and legible and away from normal hand and foot placement areas. The Labels must be replaced if they become illegible, destroyed or removed. Contact your distributor for replacement labels.

DETAIL A

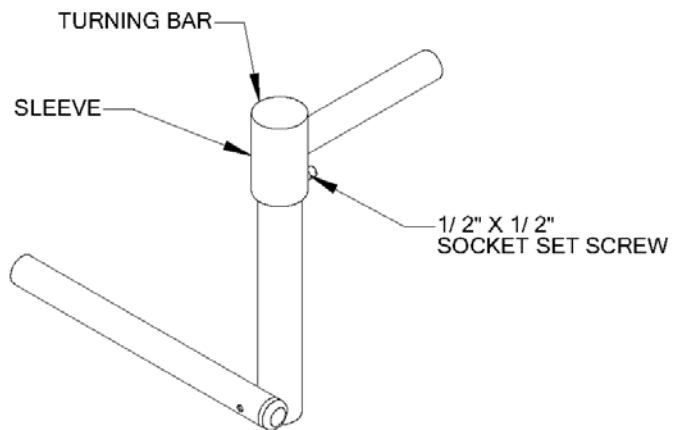
Attach rails 503-214 and 503-215 to posts, 503-621, 503-624, 503-620 and 503-609 using the hardware listed (36 places).
Insert pipe plugs 385-901 per locations given (20 places)
Insert pipe plugs 105-016 In the top of the 503-621 posts (3 places)



DETAIL A
501-117

DETAIL B

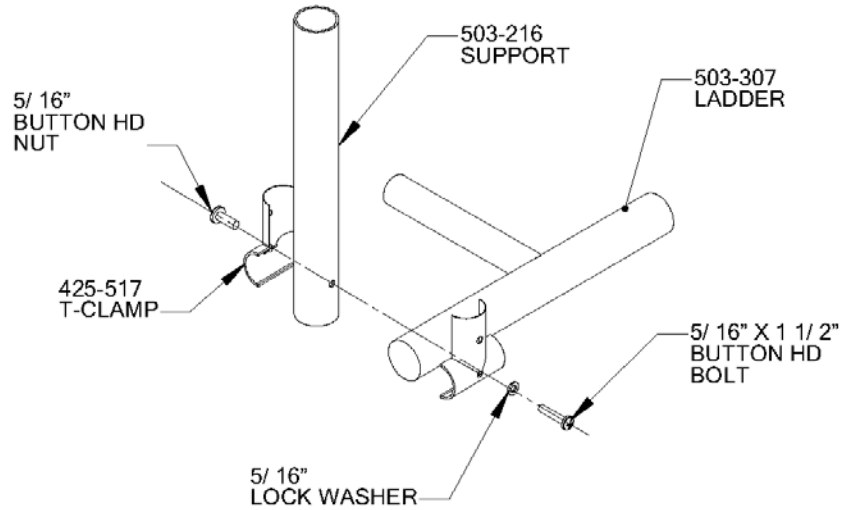
Attach turning bars 503-203, 503-211 and 503-212 at respective locations and height given on sheet 5 of this document. When each turning bar is in position use 416-400 1/4\"



DETAIL B
501-117

DETAIL C

Attach supports 503-216 to ladder 503-307 using T-clamps. (2 places)



DETAIL C
501-177

DETAIL D

Assemble elbow 503-508 to sliding poles 103-644 using the hardware listed. Slide the other end of elbow over top of supports 503-216. (2 places)