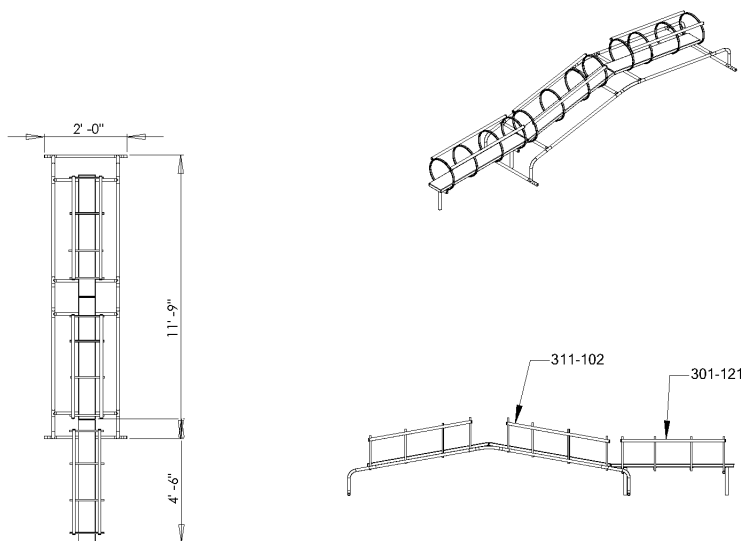


521-105 SENSORI TUNNEL

IMPORTANT

PLEASE READ THESE INSTRUCTIONS BEFORE COMMENCING ASSEMBLY. All equipment must be installed in accordance with these instructions. Check your shipment against Bill of Lading and Parts list. Any missing or broken parts must be reported to your distributor within 10 days of receipt of your order. When properly installed and maintained, equipment will give many years of Safe, Trouble-Free use. Periodically check for loose or broken parts. Loose bolts must be tightened and broken parts must be replaced as they can possibly create dangerous situations leading to unnecessary accidents. Resilient Surfacing should be used under all playground equipment. Appropriate publications, available at no charge, from the Consumer Product Safety Commission, include "A Handbook for Public Playground Safety". You can receive your free copy by calling 1-301-504-7908.



*NOTE: Tunnel sections should be assembled & installed with boards butting together.

PACKING LIST				HARDWARE BAG			
1 CTN	-	1	Hardware Bag	12	-	116-545	5/16" x 2½" Button HD Bolt
1 CTN	-	12	103-009 Rings	16	-	415-515	1-5/8" "T"-Clamp
1 CTN	-	12	313-501 Support Angle	32	-	116-535	5/16" x 1½" Button HD Bolt
1 BDL	-	4	303-203 Support	20	-	116-530	5/16" x 1" Button HD Bolt
1 BDL	-	3	603-209 Aluminum Board	24	-	126-504	5/16" x 1" Carriage Bolt
1 BDL	-	6	303-201 Rail	12	-	355-905	Plastic Plug
2 PIPE	-	1	313-621 Leg	4	-	105-015	Alum. Pipe Plug
1 BDL	-	2	303-608 Leg	24	-	605-506	Clip
				24	-	316-501	5/16" Flat Washer
				56	-	326-501	5/16" Lock Washer
				32	-	226-501	5/16" Lock Nut
				60	-	216-512	5/16" Button HD Nut
				1	-	416-350	3/16" Socket Key
				2	-	416-400	1/4" Socket Key
				1	-	805-532	Warning Label
				1	-	805-534	SportsPlay Label
				1	-		Maintenance Checklist

3 CTN	4 BDL	2 PIPE	9 TOTAL PCS	Weight 219#	Class 70
-------	-------	--------	-------------	-------------	----------

521-105 SENSORI TUNNEL

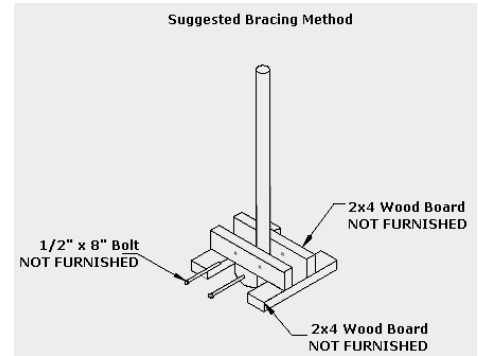
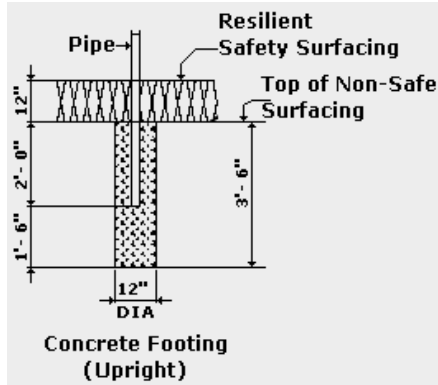
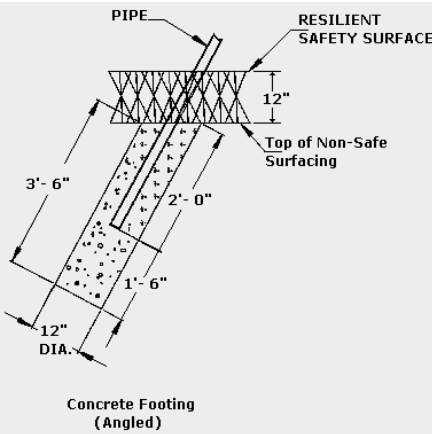
GENERAL USE/FALL ZONE & FOOTING RECOMMENDATIONS:

Use/Fall Zones should extend a minimum of 6 Feet in All Directions from the Perimeter of the Equipment Ground Space. This area should be covered with the required amount of Resilient Safety Surfacing Material. For Some Equipment Use/Fall Zone can overlap. See Consumer Product Safety Commission Guidelines.

Diameter and Depth of Footing Illustrated are Satisfactory in Most Applications for pipe sizes Up to 2-3/8" Diameter. Varying Soil and Climatic conditions may require Deeper and Heavier Footings in Some Areas. Check Local Building Codes.

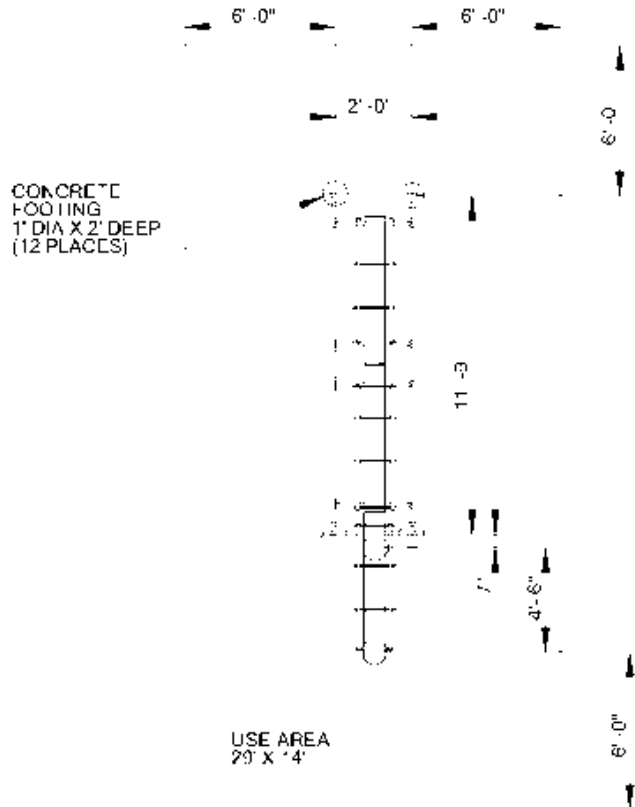
DETAIL: Permanent Installation

Suggested Bracing Method



* If resilient surfacing is to be less than 12", then additional pipe should be put in concrete to maintain proper finish grade for equipment.

Footing Layout and Use Area:



521-105 SENSORI TUNNEL

Page 3
Rev 08/06/2008

GENERAL ASSEMBLY INSTRUCTIONS:

Check all the parts and hardware with the packing list to be sure you have received everything needed to assemble this product. CONTACT YOUR LOCAL DISTRIBUTOR NOTIFICATION OF ANY MISSING OR DAMAGED PARTS. Contact must be made within ten days of receipt of your order.

Only hand-tighten nuts & bolts on initial assembly. Final tightening should be done EVENLY after final assembly when unit has been plumbed & leveled.

After assembly is complete, ANY ENDS OF BOLTS PROTRUDING BEYOND NUTS SHOULD BE CUT OFF AND/OR PEENED OVER TO REMOVE ANY SHARP PROJECTIONS. Go over entire unit to file smooth any sharp edges or projections that may have been caused by rough handling in shipping or installation.

GENERAL MAINTENANCE INSTRUCTIONS:

Check MONTHLY for loose bolts, damaged or broken parts. Tighten and/or replace immediately.

INSTALLATION & ASSEMBLY:

NOTE: All threaded ends of bolts protruding beyond nuts must be cut off and/or peened to eliminate sharp edges. No more than two threads should extend beyond face of nut. All washers, "T" nuts, and other fastener hardware used on round pipe or tubing must be hammered down to conform to the curved underlying surface to eliminate catch points.

STEP #1: Assemble units according to their individual instructions.

- 301-121 Crawl Thru (page 4 - 5)
- 311-102 Up-Down Crawl Thru (page 6 - 7)

STEP #2: After ensuring boards butt together, Mark & Dig Footing Holes (see page 2). Brace unit in holes to proper depth. Use legs as a guide when digging on an angle. Length of pipe below playing surface should be 24", with depth of pipe in concrete varying depending on depth of resilient surfacing to be used. Plumb & level.

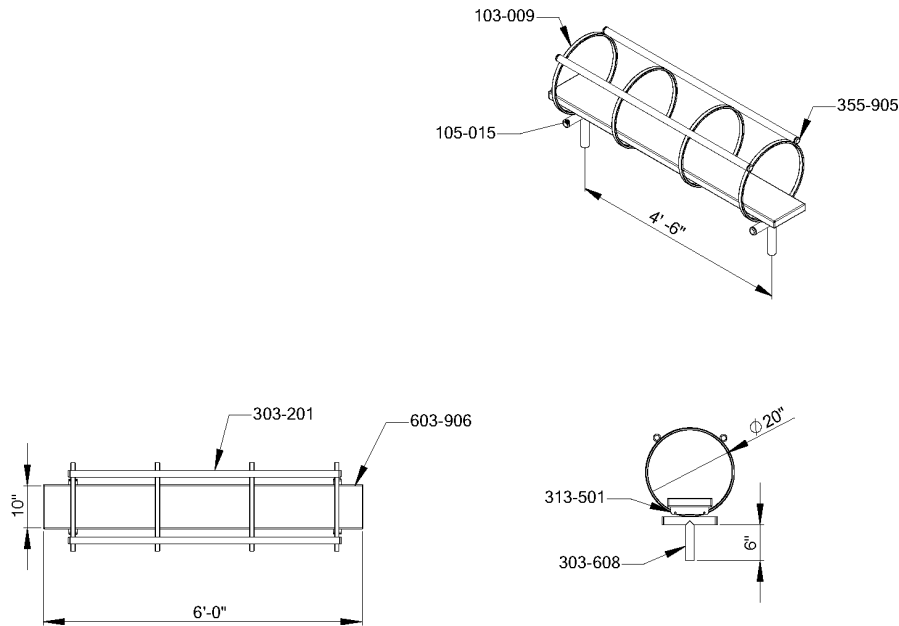
STEP #3: Tighten all nuts & bolts so that lock washers are flat. Pour concrete. Wait 48 hours before removing braces & using equipment.

STEP #4: Attach Warning Label and Manufacturer's Identification Label to a clean surface. The Labels should be attached in a location where they are clearly visible and legible and away from normal hand and foot placement areas. The Labels must be replaced if they become illegible, destroyed, or removed. Contact your Distributor for replacement Labels.

521-105 SENSORI TUNNEL

Page 4
Rev 08/06/2008

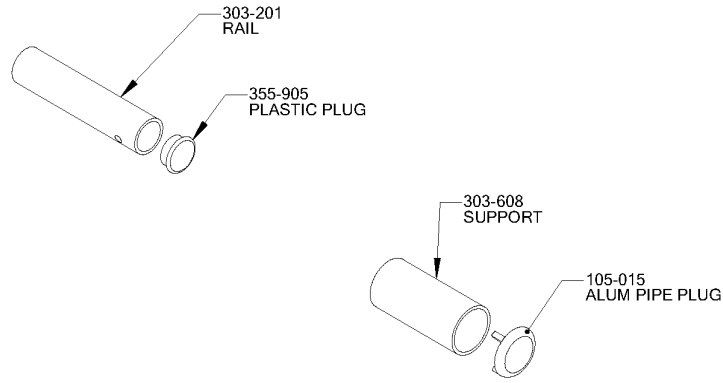
CRAWL-THRU TUNNEL:



INSTALLATION & ASSEMBLY:

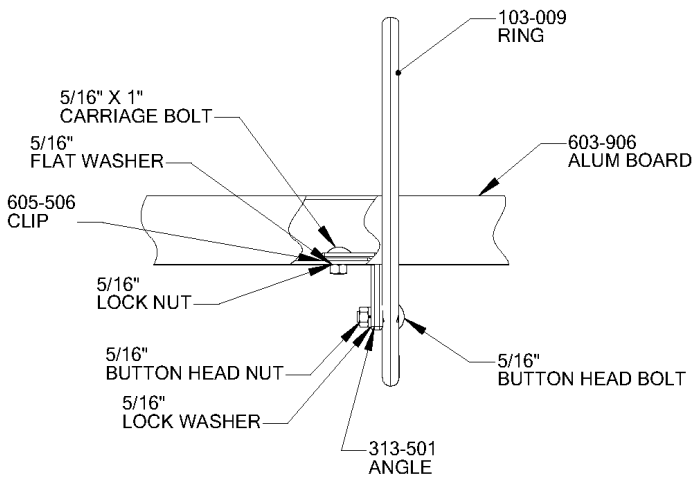
- STEP #1: Drive in Plastic Plugs (355-905) in each end of Rails (303-201). SEE DETAIL A. Drive in Alum. Pipe Plugs (105-015) into Supports (303-608), file ends smooth. SEE DETAIL A.
- STEP #2: Rest end of Aluminum Board (603-906) upside-down on two saw horses. Slide Rings (103-009) onto the board.
- STEP #3: Attach Rails to Rings. Position end rings equal distance from each end of board.
- STEP #4: Bolt center Angle (313-501) to Aluminum Board (603-906) with Clips (605-506), lining up angles with center rings. Attach to center rings. SEE DETAIL C.
- STEP #5: Bolt end angles to board with clips, lining up with end rings and bottom supports. Supports are positioned between angle brackets & rings with rings on outside toward end of board. Attach bottom angle supports & rings to angle brackets. SEE DETAIL D.
- STEP #6: Proceed to next unit (Up-Down Crawl Thru Tunnel) on page 6.

521-105 SENSORI TUNNEL

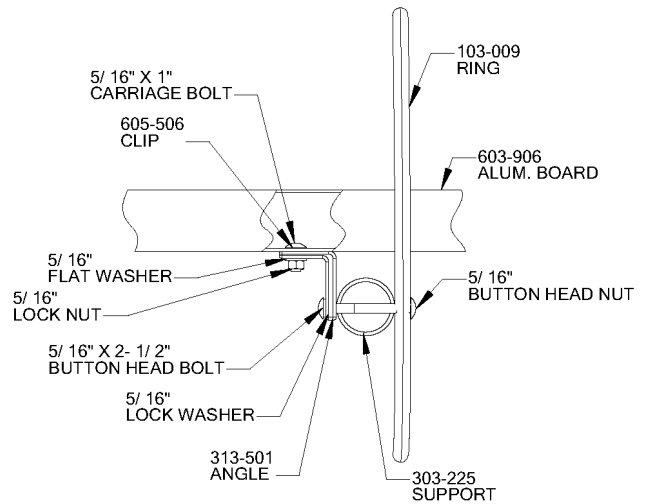


DETAIL A
301-121

DETAIL D
301-121



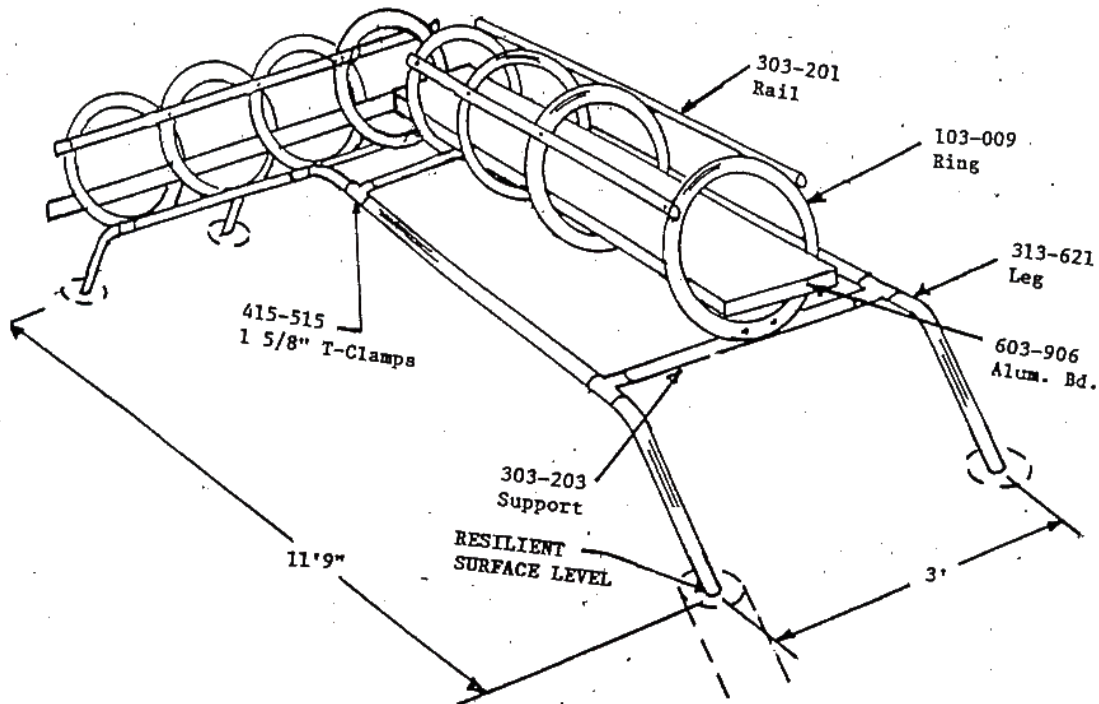
DETAIL C
301-121



521-105 SENSORI TUNNEL

Page 6
Rev 08/06/2008

UP-DOWN CRAWL-THRU TUNNEL

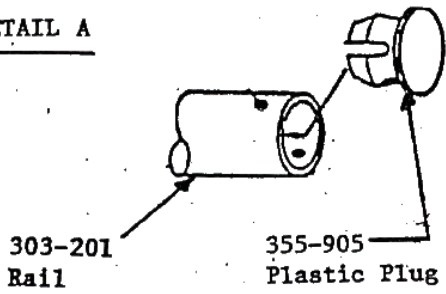


INSTALLATION & ASSEMBLY:

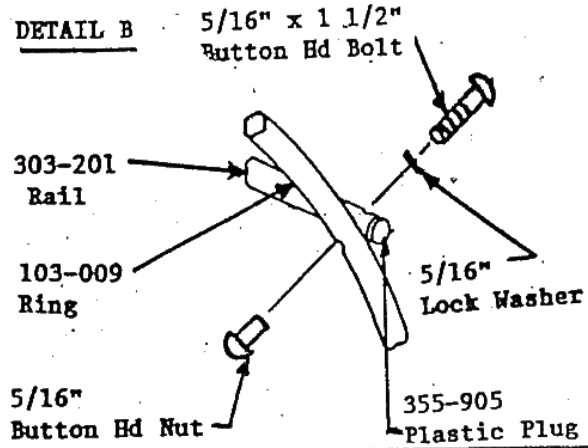
- STEP #1: Drive in Plastic Plugs (355-905) in each end of Rails (303-201). SEE DETAIL A.
- STEP #2: Rest end of Aluminum Board (603-906) upside-down on two saw horses. Slide Rings (103-009) onto the board.
- STEP #3: Attach Rails to Rings. SEE DETAIL B. Position end rings equal distance from each end of board.
- STEP #4: Bolt center Angle (313-501) to Aluminum Board (603-906) with Clips (605-506), lining up Angles with center rings. Attach to center rings. SEE DETAIL C.
- STEP #5: Bolt end angles to board with clips, lining up with end rings and bottom supports. Supports are positioned between angle brackets & rings with rings on outside towards end of board. Attach bottom supports & rings to angle brackets. SEE DETAIL D.
- STEP #6: Attach individual Crawl-Thru units with T-Clamp (415-515). SEE DETAIL E. Aluminum Boards should meet at center. SEE DETAIL F.
- STEP #7: Proceed to page 3 of these directions and finish installation according to instructions provided.

521-105 SENSORI TUNNEL

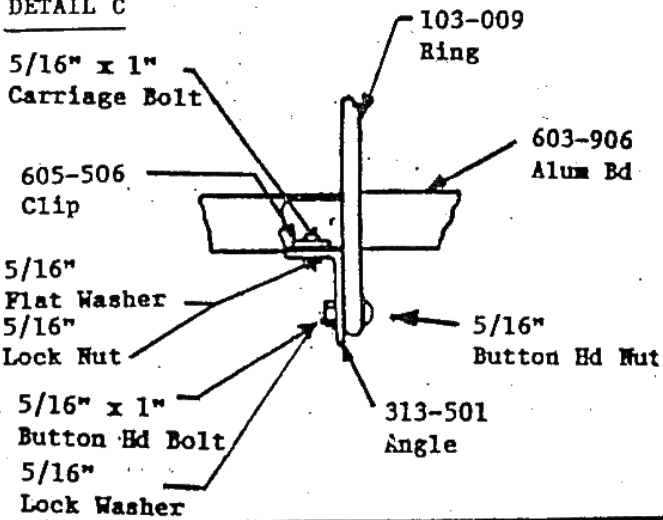
DETAIL A



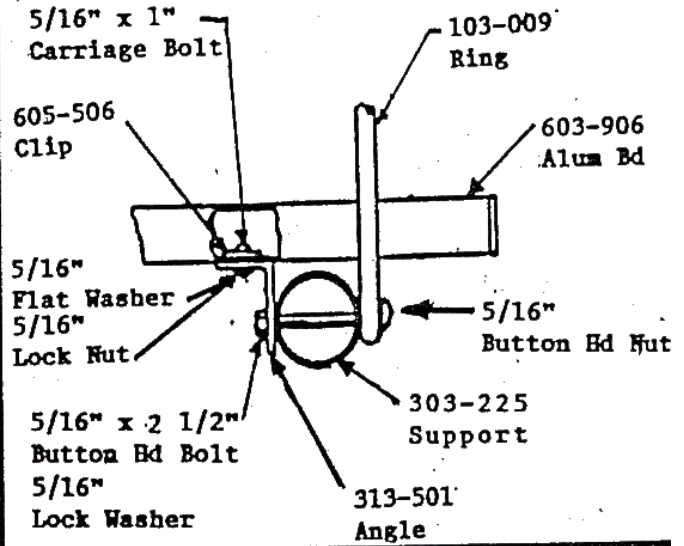
DETAIL B



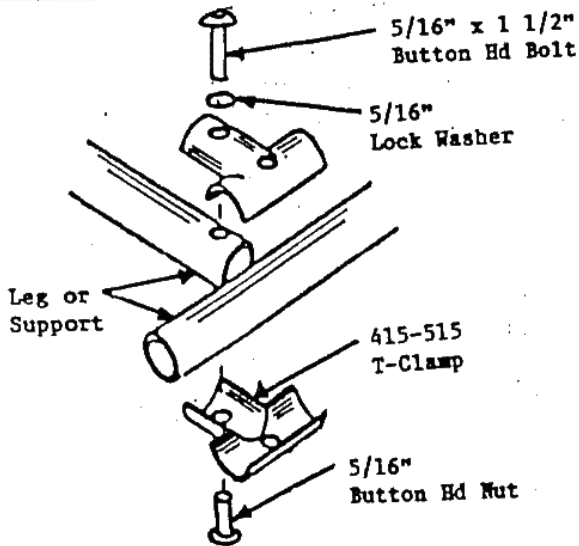
DETAIL C



DETAIL D



DETAIL E



DETAIL F

