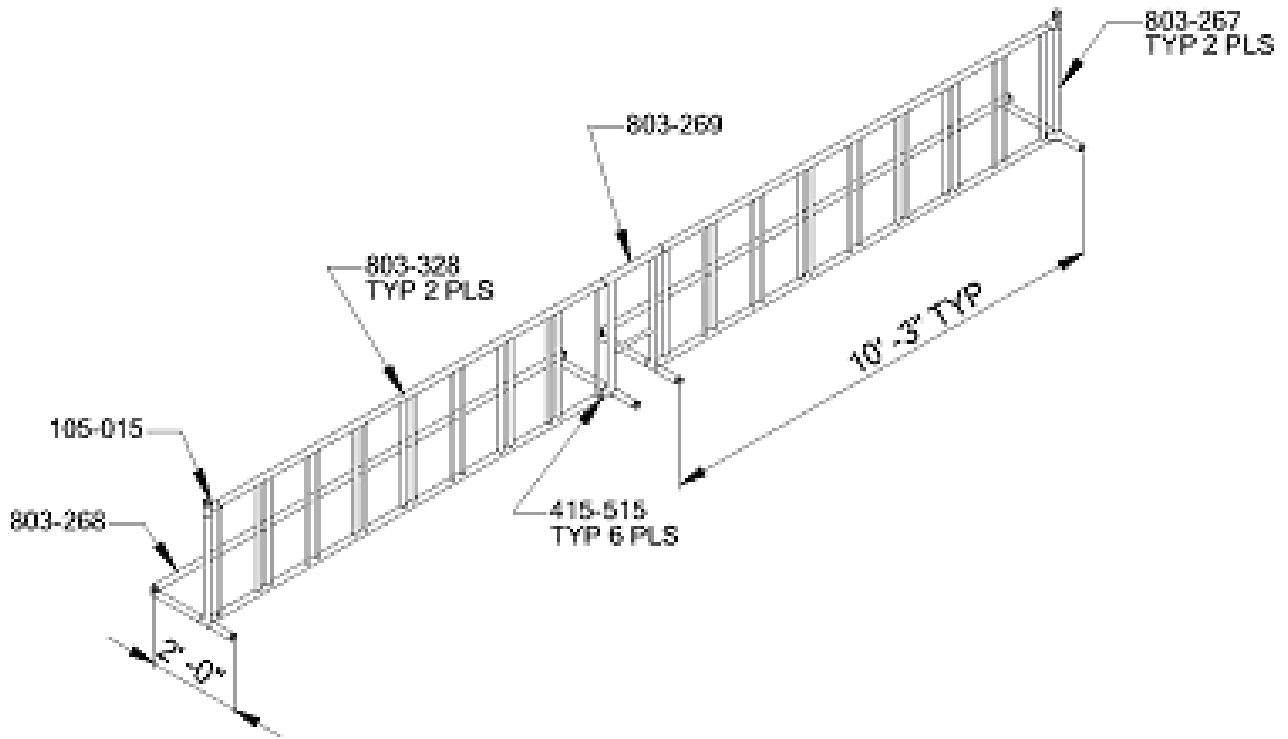


# 801-178 20' SINGLE ENTRY BIKE RACK (Perm)

## I M P O R T A N T

Please retain this instruction sheet in your files. It contains important maintenance instructions, as well as replacement parts information.



**PACKING LIST**

|   |     |           |                |
|---|-----|-----------|----------------|
| 1 | CTN |           | Hardware Bag   |
| 1 | BDL | 2 803-268 | Spacer Bar     |
| 1 | BDL | 2 803-267 | End Support    |
| 1 | WF  | 1 803-269 | Center Support |
| 2 | WF  | 2 803-328 | Ladder         |

**HARDWARE BAG**

|      |         |                         |
|------|---------|-------------------------|
| 8    | 196-644 | 3/8" x 8" Anchor Bolt   |
| 4    | 116-514 | 5/16" x 3 1/2" Hex Bolt |
| 12   | 116-510 | 5/16" x 2 1/2" Hex Bolt |
| 16   | 326-501 | 5/16" Lock Washer       |
| 8    | 216-601 | 3/8" Hex Nut            |
| 8    | 226-601 | 3/8" Lock Nut           |
| 16   | 226-501 | 5/16" Lock Nut          |
| 6 pr | 415-515 | 1 5/8" T-Clamp          |
| 14   | 105-015 | 1 5/8" Pipe Plug        |

|       |       |      |             |         |          |
|-------|-------|------|-------------|---------|----------|
| 1 CTN | 2 BDL | 3 WF | 6 TOTAL PCS | WT 150# | CLASS 70 |
|-------|-------|------|-------------|---------|----------|

## 801-178 20' SINGLE ENTRY BIKE RACK (Perm)

Page 2

Rev 03/19/03

### GENERAL ASSEMBLY INSTRUCTIONS:

Check all the parts and hardware with the packing list too be sure you have received everything needed to assemble this product.

CONTACT YOUR LOCAL DISTRIBUTOR OR SPORTSPLAY EQUIPMENT WITH NOTIFICATION OF ANY MISSING OR DAMAGED PARTS. Contact must be made within ten days of receipt of your order.

Only hand tighten nuts & bolts on initial assembly. Final tightening should be done **EVENLY** after final assembly when unit has been plumbed & leveled.

After assembly is complete, **ANY ENDS OF BOLTS PROTRUDING BEYOND NUTS SHOULD BE CUT OFF AND/OR PEENED OVER TO REMOVED ANY SHARP PROJECTIONS.** Go over entire unit to file smooth any sharp edges or projections that may have been caused by rough handling in shipping or installation.

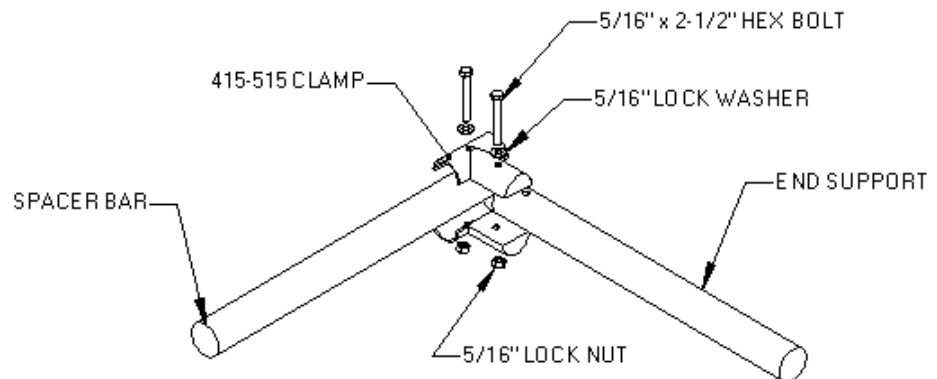
### GENERAL MAINTENANCE INSTRUCTIONS:

Check **MONTHLY** for loose bolts, damaged or broken parts. Tighten and/or replace immediately.

### SPECIFIC ASSEMBLY INSTRUCTIONS:

- Step #1 Assemble bike rack as per drawing on page 1. Start by attaching #803-268 Spacer Bar to one end support and the center support.
- Step #2 Attach ladder to end supports using T-Clamps. The top of the center support slides over the top rail of the ladder. The bottom of the center support is attached with a T-clamp.
- Step #3 Attach other end of bike rack following same procedure.
- Step #4 Drive in pipe plugs on all open pipe ends.
- Step #5 Attach Anchor Bolts to end supports and place Bike Rack in position over footing holes.
- Step #6 Pour concrete. Wait 48 hours before using equipment.

T-Clamp Detail:

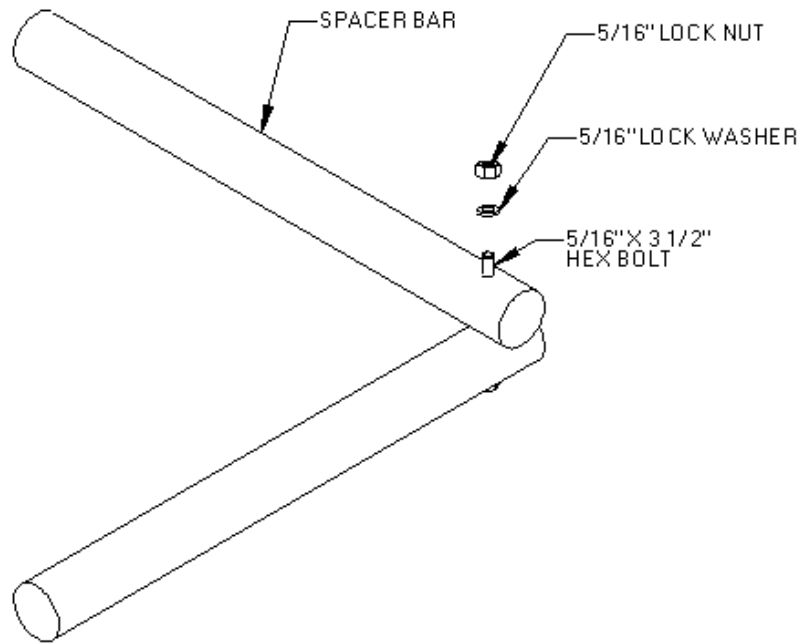


# 801-178 20' SINGLE ENTRY BIKE RACK (Perm)

Page 3

Rev 03/19/03

End Support and Spacer Detail:



Anchor Bolt Detail:

