

INSTALLATION DETAILS

- Recommended crew (Adult): **2**
- Installation time: **4 (8 man hrs)**
- User age: **5-12**
- Use zone: **72 in from all sides of unit**
- Weight:

SURFACING: Use of safety surfacing in compliance with ASTM specification F1292 is required.

MAINTENANCE:

- As the owner of the playground you are responsible for maintenance of the equipment and play area. A maintenance schedule must be developed, and the equipment inspected frequently. A maintenance section that includes component specific maintenance requirements is included at the end of this manual.
- Be sure to inspect surfacing for foreign objects that could cause injury and that sufficient surfacing are in place in accordance with ASTM and CPSC standards.



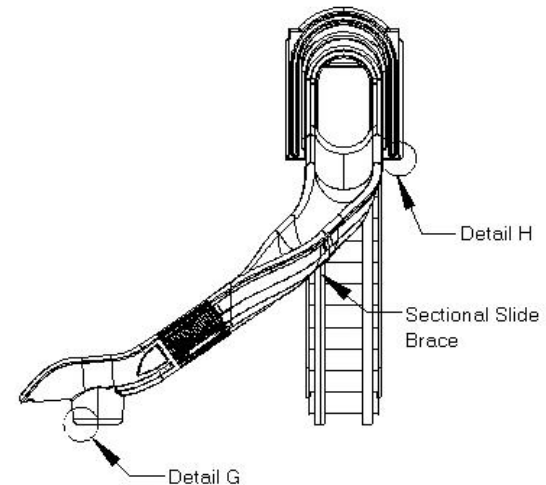
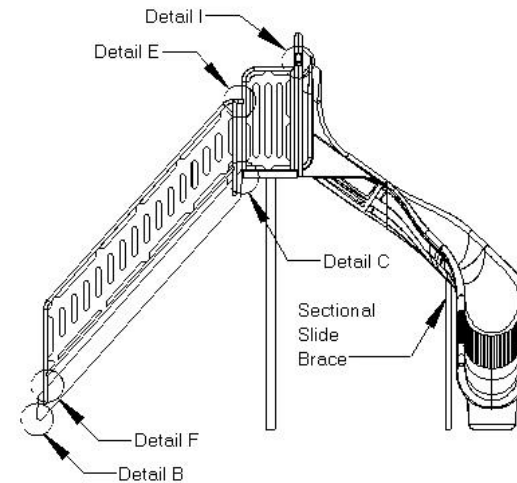


902-320 8' IND. SECTIONAL RIGHT TURN SLIDE INSTALLATION INSTRUCTIONS

PARTS LIST

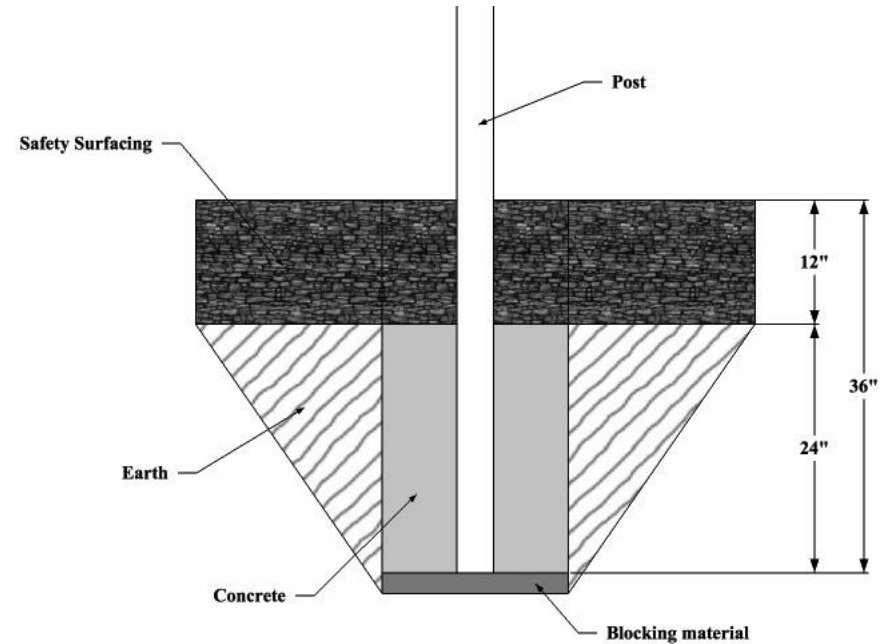
ID	PART #	DESCRIPTION	QTY
1	435-697	Sectional Slide Right w/ Brace	1
2	905-720	Step to 8' Deck	1
3	913-230	Transfer Point Inside Leg	2
4	913-724	Indep. Slide Post	2
5	913-726	Indep. Slide Handrail	2
6	913-721L	Ind. Sec. Slide Left Guard Wall	1
7	913-721R	Ind. Sec. Slide Right Guard Wall	1
8	913-720	Indep. Sec. Slide Deck	1
9	903-214	T Leg for DW Slide	2
10	316-601	3/8" Flat Washer SS	51
11	226-602	3/8" Nylon Insert Lock Nut	21
12	126-708	3/8"x 2 1/4" Button Pin SS	8
13	126-703	3/8"x 1" Button Pin SS	3
14	126-705	3/8"x 2" Button Pin SS	2
15	126-709BPS	3/8" x 2 1/2" Button Pin SS	2
16	126-706BPS	3/8" x 1 3/4" Button Pin SS	3
17	126-701BPS	3/8" x 1 1/4" Button Pin SS	15
18	316-501	5/16" Flat Washer SS	2
19	516-200	3/8" Zip Toggle	2
20	416-402BPK	7/32 Button Pin Key Short Arm	2

NOTE: Keep a copy of these instructions on file to assist you with maintenance and replacement parts.

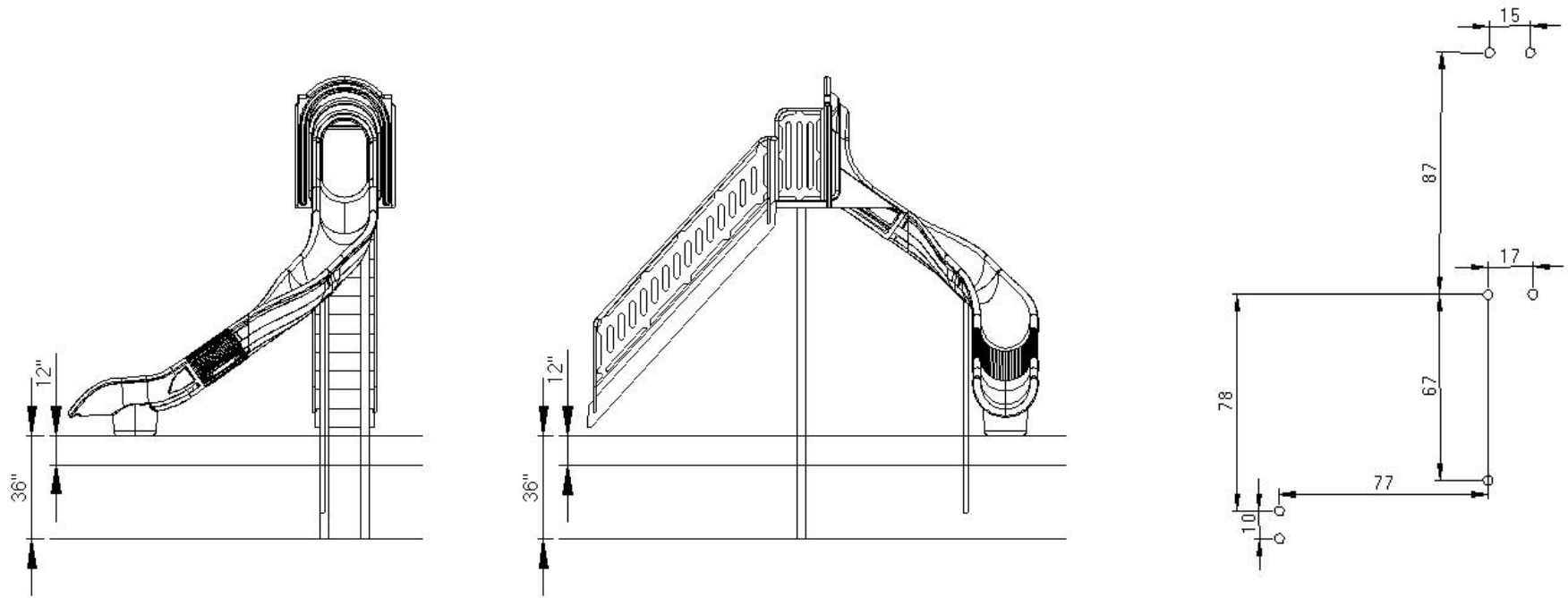


FOOTING INFORMATION

- Total footing depth is 48" less the height of the surfacing plus the height of the blocking material. If you are using 12" of surfacing the footing hole would need to be 29" plus the height of the blocking material (refer to both the side and front cutaway views to the right).
- If the Play structure is installed on an unlevel grade you must adjust the footing depth to accommodate the grade. For instance, if the grade for this component is 1" higher than the surface grade of the main playground post you must dig your footing hole 1" deeper.
- You must place the bottom of the support post or slide leg on a suitable flat blocking material to prevent it from sinking further into the soil. We recommend you use a brick, block of wood or several inches of gravel. The footing depth does not include this blocking material since materials used often vary.
- It is the owner/installers responsibility to check local building codes and to comply with those codes. All footing depths listed here are recommendations and local soil types and frost lines may require a deeper and/or wider footing depth. If that's the case you must add more blocking material to accommodate the deeper footing, as the post length will still only be installed at the depth listed in this instruction manual.
- Assemble the entire unit before adding the concrete unless instructed to do so in the individual component instruction sections.



ELEVATION AND
FOOTING LAYOUT





SPECIFICATIONS

- **Paint** – Electrostatically applied & oven cured powder coat
- **Hardware** – Stainless steel & tamper resistant
- **Tube** – FloCoat® Galvanized 1 3/8" O.D. and 1" O.D.
- **Curved Sectional Slide**-Roto-Molded Plastic

SPECIAL SAFETY & ASTM COMPLIANCE NOTES

- **CRITICAL MEASUREMENT** IT IS EXTREMELY IMPORTANT THAT YOU MAINTAIN A MAXIMUM OF 3 1/2" DISTANCE BETWEEN THE BOTTOM, OR SIDES OF THE BUMP WAVE SLIDE ENTRANCE WALL AND THE NEAREST EDGE OF THE DECK OR POSTS.

INSTALLATION TIPS & TROUBLE SHOOTING

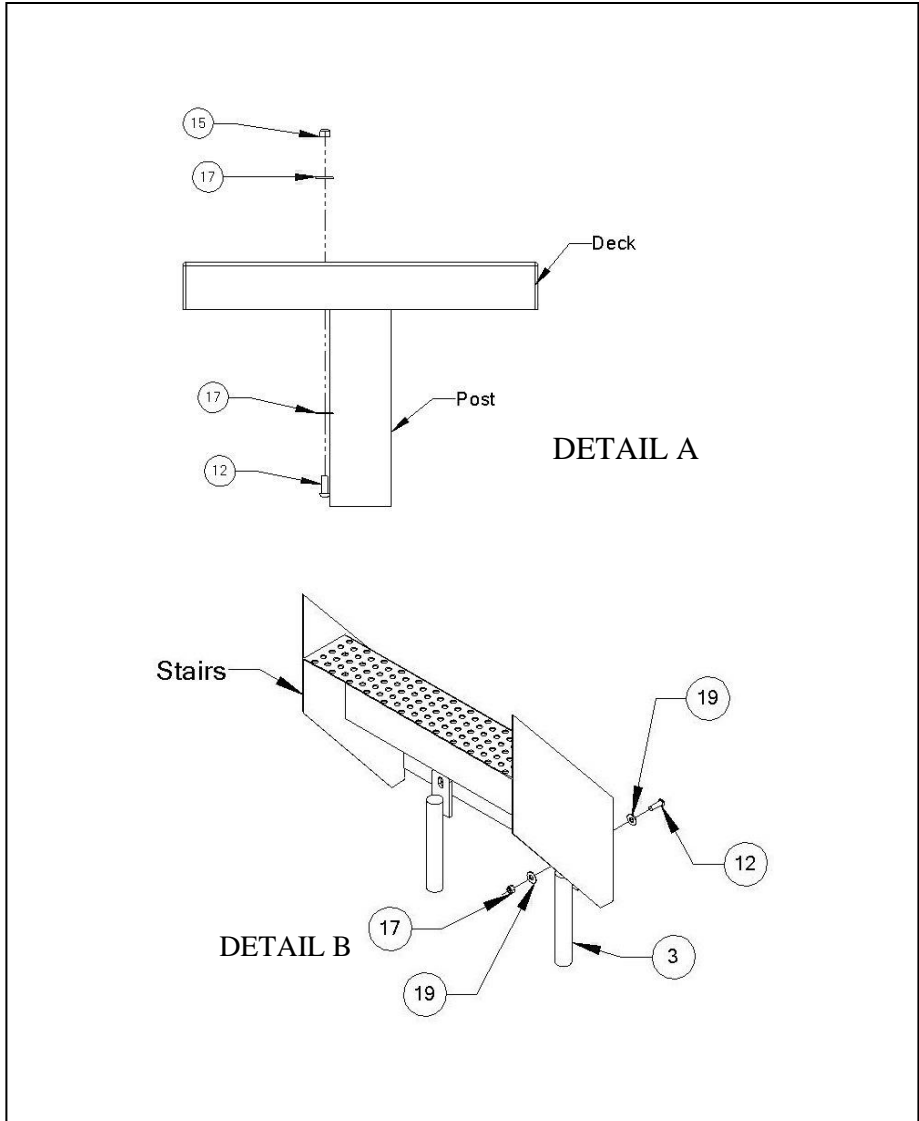
- SportsPlay Equipment Inc. recommends pre-drilling the holes in the post when attaching a four-hole bracket with a number #7 drill bit. This will make the attachment of the four-hole bracket with the self-tapping screws easier and it will prevent damage to the screw head during installation.
- Apply locktite to all bolts during assembly prior to completely tightening them.
- Stainless Steel hardware can occasionally be difficult to use particularly if you need to take them out to make an adjustment. It is recommended that you add a drop of oil to bolts that may have to be removed before you install them.
- Do not tighten bolts all the way until the unit is completely assembled and all components are square and level.
- Identify and separate all parts by referencing the detail drawings and the parts list.
- As you unpack and separate the components use the cardboard sheets that were used for packing and shipping to prevent damage to the components. This is particularly true all Powder Coated and Thermoplastic coated components, by setting the components on top of the cardboard.

BEFORE YOU BEGIN

In addition to the components on the packing list you will need a drill with a 1/2" drill bit, tape measure, post hole digger, blocking material, level, and a dry erase marker.

INSTALLATION STEPS

- __1) Review all instructions before beginning:**
- __2) Unpack, organize, and identify all components:** Be sure to place all painted components on a protective surface (cardboard, cloth, etc...) to prevent damage.
- __3) Locate placement of the Independent Sectional Slide:** See top down view of your instruction booklet.
- __4) Layout the Footing holes for the Ind. Sectional Right Turn Slide:** Locate your footing drawing on the instruction booklet and mark your holes as shown. When you have laid out and marked your footing holes, dig them to the proper depth. Once all your holes are dug you may insert the Independent Slide Posts (4) into the proper holes and pour your concrete. After you have poured your concrete and before the concrete itself has time to set, make sure that your post is level and that it stays level until the concrete has fully set.
- __5) Attach the Ind. Sectional Right Turn Slide Deck to the post:** Once you have allowed the concrete to fully set on the post you will then attach the Independent Sectional Slide Deck (8) to the post (see Detail A). To attach the deck to the post, place the deck on top of the post mounting plate and line up the 8 bolt holes, make sure the slide side of the deck and the stair side of the

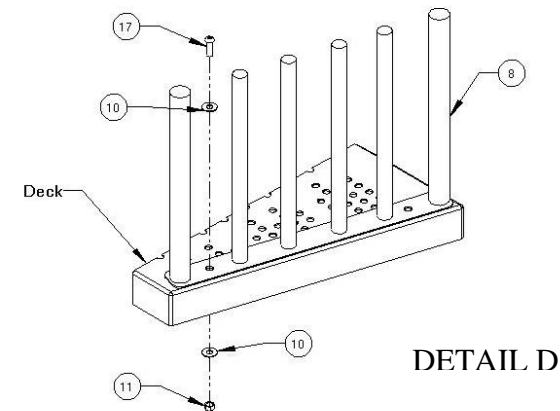
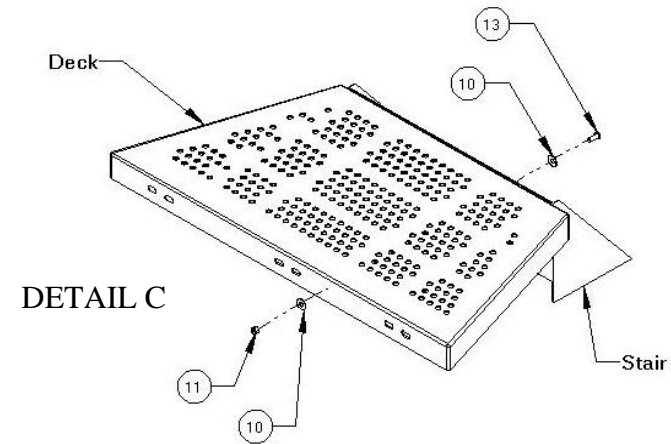


INSTALLATION STEPS CONTINUED

5) Continued: the deck is facing the right directions. With the bolt holes aligned insert the 3/8" x 1" button pin bolt (13) with a 3/8" flat washer (10) through mounting plate on the post into the bracing on the deck, then secure it with another 3/8" flat washer (10) and a 3/8" Nylon Lock Nut (11).

6) Attaching the Steps to 8' Deck to Ind. Sectional Right Turn Slide Deck: After you have attached the Independent Sectional Slide Deck (8) to the Independent Slide Post (4) you will attach the Steps to 8' Deck (2) to the Independent Sectional Slide Deck. Before bolting the stairs to the deck you must attach the Transfer Point Inside Legs (3) to the bottom of the stairs (see Detail B) using a 3/8" x 1" Button Pin Bolt (13) and a 3/8" Flat Washer (10) on the outside of the stairs and another 3/8" Flat Washer (10) and a 3/8" Nylon Lock Nut (11) on the back side of the stairs to secure the legs. Once the legs are attached stand up the stairs with the legs in their footing holes and use the 3/8" x 1" Button Pin Bolts (13) and the 3/8" Flat Washers (10) on the outside of the stairs and then use the 3/8" Flat Washers (10) and the 3/8" Nylon Lock Nuts (11) on the underside of the deck to secure the stairs (see Detail C).

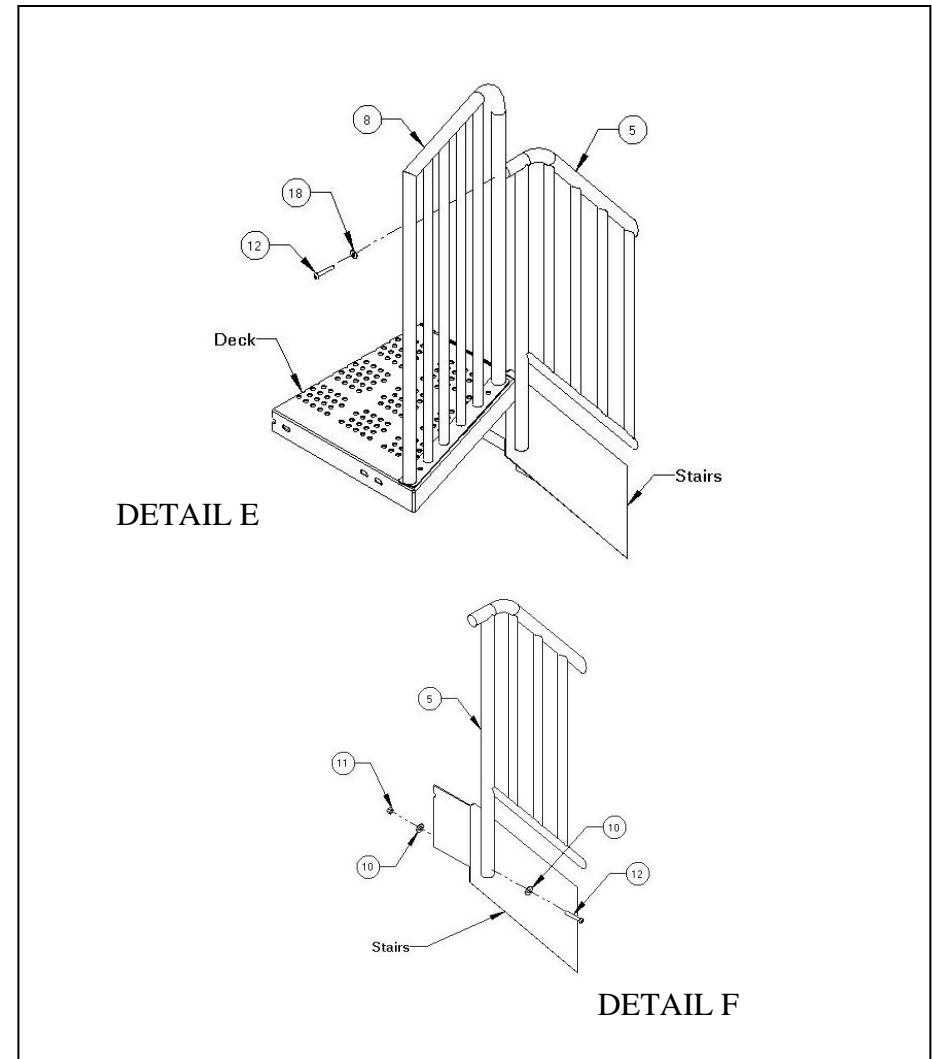
7) Attaching Guard Walls to Deck: To attach the Independent Sectional Slide Guard Wall (6) to the Independent Sectional Slide Deck (8) you will need three of the 3/8" x 1 1/4" Button Pin Bolts (17), eight 3/8" Flat Washers (10) and four of the 3/8" Nylon Lock Nuts (11). There is a left side and a right side guard wall, both guard walls have tabs coming off of the front of them at angle. When the guard walls are placed on the deck



INSTALLATION STEPS CONTINUED

__7) **Continued:** correctly those tabs will be pointing towards each other on the inside of the deck. Place the guard on the deck so that the three holes to mount the wall on the deck and the three holes on the flat piece at the bottom of the guard wall line up. Once in line use the 3/8" x 1 1/4" Button Pin Bolt (17) and a 3/8" Flat Washer (10) and go through the holes on the on the top side of the deck and on the bottom side secure the guard wall with another 3/8" Flat Washer (10) and a 3/8" Nylon Lock Nut (11) (see Detail D).

__8) **Attaching the Handrails to the Structure:** To attach the handrails to the structure you will need the two Independent Slide Handrails (5), eight 3/8" x 2 1/4" Button Pin Bolts (12), two 5/16" Flat Washers (18), twelve 3/8" Flat Washers (10) and six 3/8" Nylon Lock Nuts (11). First you must insert the end of the handrails with the threads welded into it, into the stub coming off of the guard wall, while someone holds the handrail for you insert a 3/8" x 2 1/4" Button Pin Bolt (12) through a 5/16" Flat Washer (18), then insert it into the hole on the guard wall on the back side of the stub and thread it into the handrail until tight (see Detail E). After the handrail is bolted to the guard wall, you will then bolt it to the stairs, to do so you will need two 3/8" x 2 1/4" Button Pin Bolts (12), four 3/8" Flat Washer (10) and two 3/8" Nylon Lock Nuts (11). Line up the two holes in the lower end of the handrail with the holes at the end of the stairs and place you 3/8" x 2 1/4" Button Pin Bolt (12) with a 3/8" Flat Washer (10) through the handrail into the



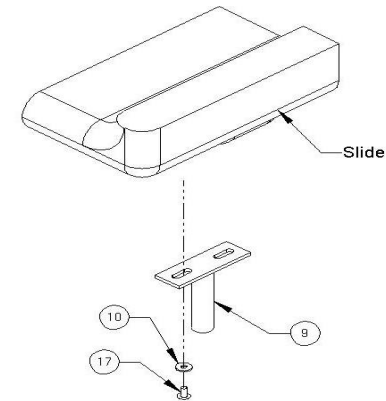
INSTALLATION STEPS CONTINUED

__8) Continued: stair and secure it on the underneath of the stair with another 3/8" Flat Washer (10) and a 3/8" Nylon Lock Nut (12) (see Detail F).

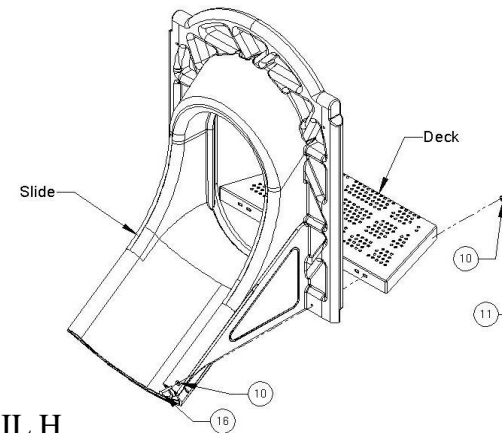
__9) Installing the Sectional Slide: Before attaching the Sectional Slide (1) to the deck, you should attach the T Legs (9) to the bottom of the slide using four 3/8" x 1 1/4" button pin bolts (17) and four 3/8" Washers (10)(See Detail G). Once the legs are attached stand the slide up in the proper footings' holes, and then line up the three bolt holes on the underside of the slide with the three holes on the deck. Once in line you will use three 3/8" x 1 3/4" button pin bolts (16) and three 3/8" Washers (10) to secure the slide to the deck (See Detail H).

__10) Attaching the Guard Walls to the Slides: After you have attached the Sectional Slide to the deck, you will then bolt the Ind. Sectional Slide Guard Walls (6, 7) to the slide. Using the holes in the tabs on the guard walls, mark and drill a hole for each tab and insert a 3/8" Zip toggle (19) in each hole. To secure the tabs to the slide you will use two 3/8" x 2" button pin bolts (14) and two 3/8" washers (10) (see Detail I).

__11) Once full installation of all components is complete, fill all remaining footing holes with concrete and backfill with dirt. Check area for any remaining tools or hardware, then caution tape the area off for at least 48 hours to allow concrete to fully set.



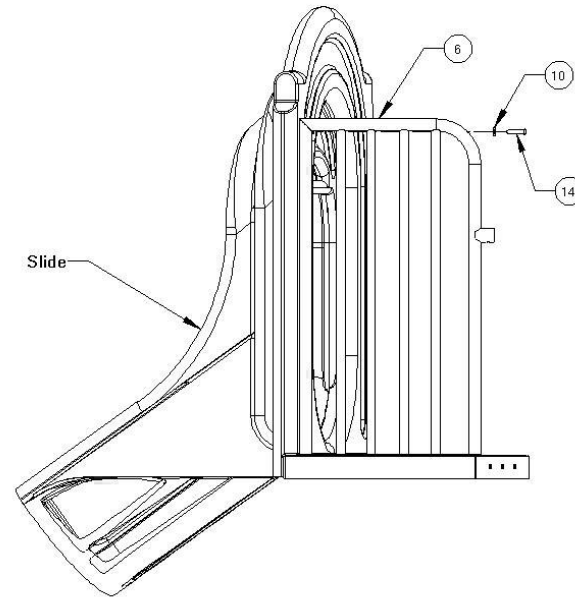
DETAIL G



DETAIL H

INSTALLATION STEPS CONTINUED

__12) **Inspect the components:** for sharp edges and if necessary, file them down and apply touch up paint.



DETAIL I