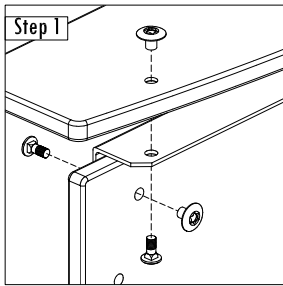
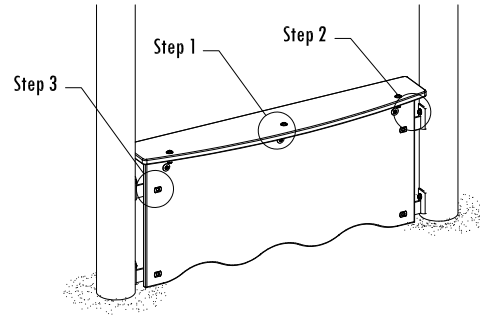
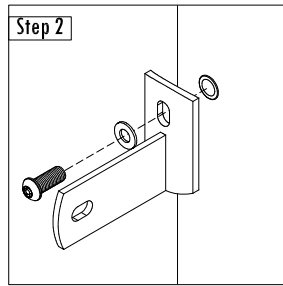


### Parts List

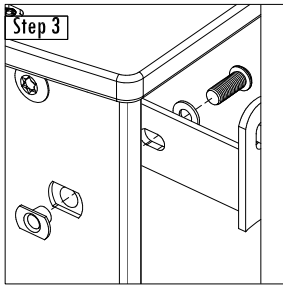
- 4 BRK004000 Sheet Plastic Bracket
- 1 SHP00700 PlayCounter Panel
- 1 SHP01300 PlayCounter Top
- 1 PlayCounter Bracket
  
- 6 1C-0503 - Carriage Bolt 5/16" x 3/4"
- 8 2T-0604 - Button Cap Torx w/ Pin 3/8" x 1"
- 6 4C-0500 - Camtainer Nut 5/16"
- 4 4D-0600 - T Nut 3/8" x 3/4"
- 8 5F-0500 - Flat Washer 5/16" S/S w/ 3/8" Hole



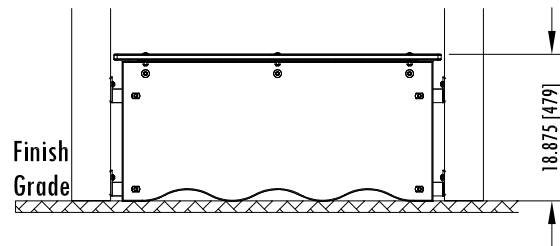
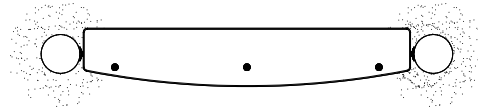
3/4" Carriage Bolt, Camtainer Nut (x6)



1" Button Cap, Flat Washer (x4)



1" Button Cap, Flat Washer, T Nut (x4)

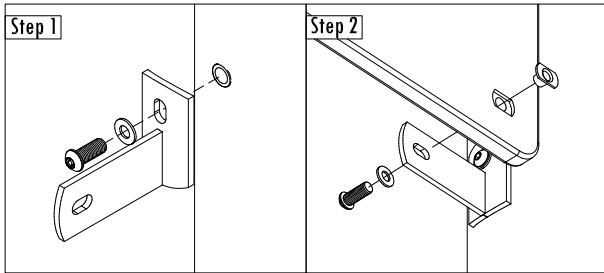
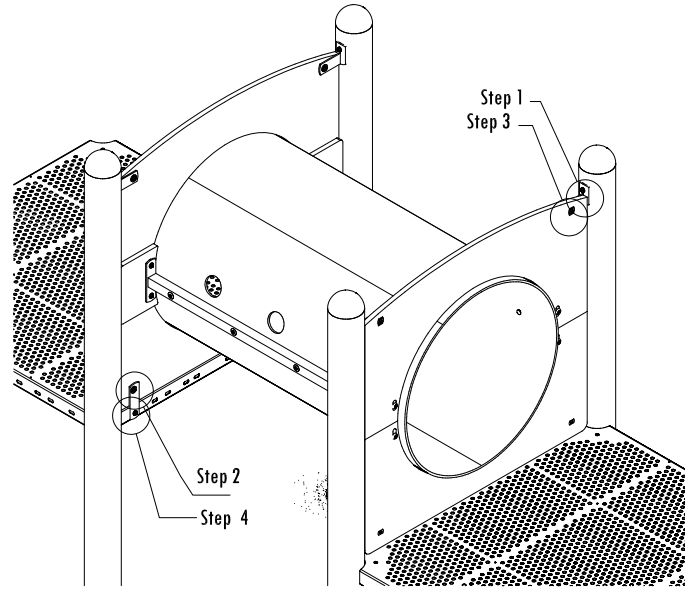


**This Instruction Applies To The Following Modules :**

- CT003 Straight Crawl Tunnel 3'
- CT004 Straight Crawl Tunnel 4'
- CT005 Straight Crawl Tunnel 5'
- CT018 1' Rise Crawl Tunnel

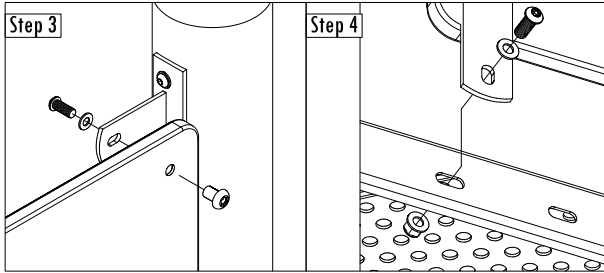
**Parts List**

- |    |          |                                    |
|----|----------|------------------------------------|
| 4  | BRK00400 | Bracket                            |
| 4  | LUG00200 | Lug                                |
| 1  |          | Crawl Tunnel Assembly              |
| 16 | 2T-0604  | Button Cap Torx w/ Pin 3/8" x 1"   |
| 4  | 4D-0600  | T Nut 3/8"                         |
| 4  | 4N-0600  | Locking Flange Nut 3/8"            |
| 4  | 4R-0603  | Barrel Nut 3/8" x 3/4"             |
| 16 | 5F-0500  | Flat Washer 5/16" S/S w/ 3/8" Hole |



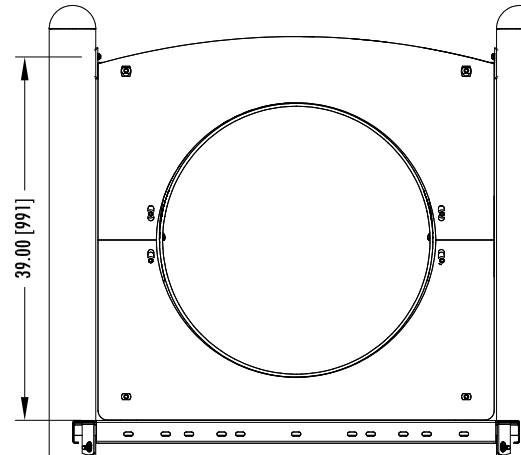
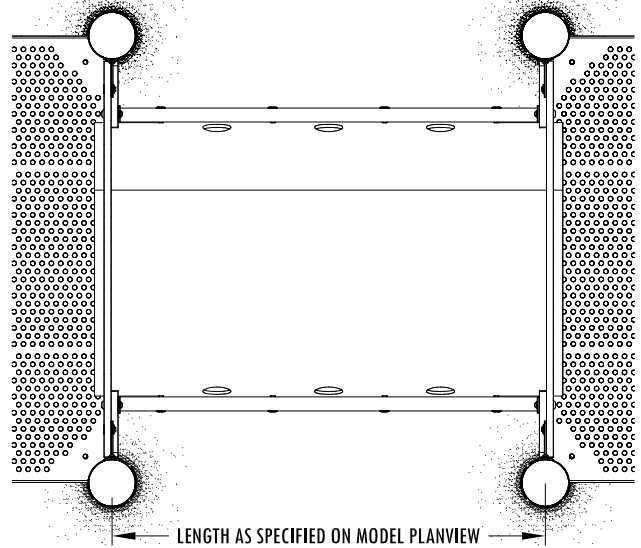
1" Button Cap, Flat Washer (x4)

1" Button Cap, Flat Washer, T Nut (x4)



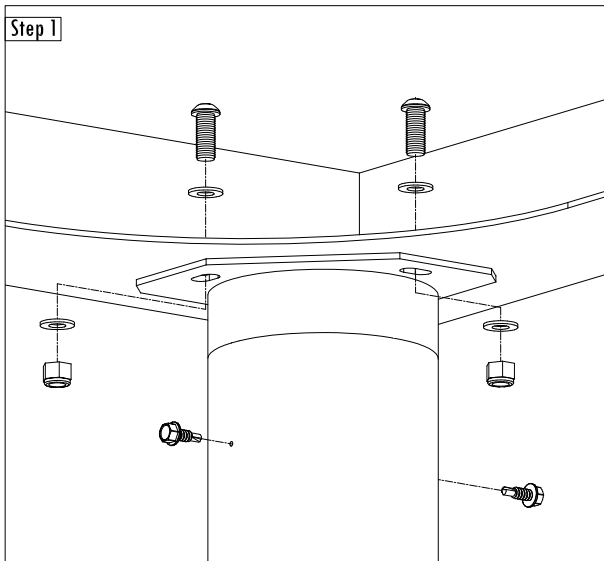
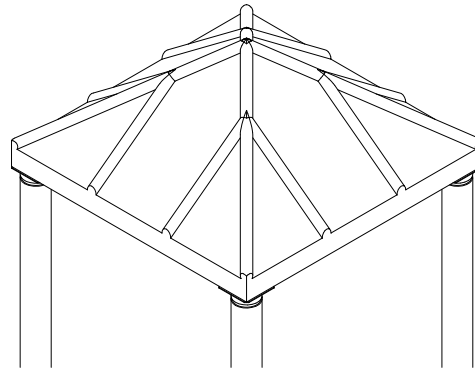
1" Button Cap, Flat Washers, Barrel Nut (x4)

1" Button Cap, Flat Washers, Lock Nut (x4)

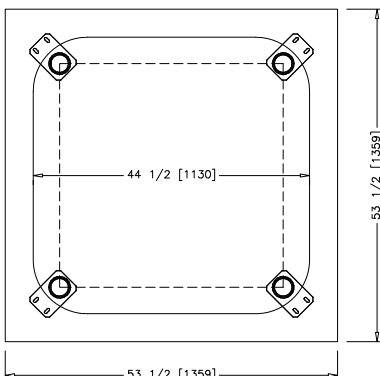
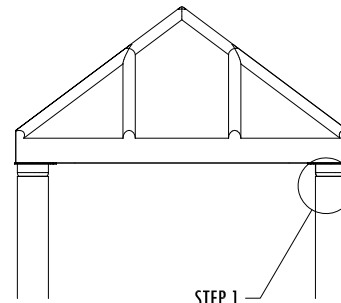
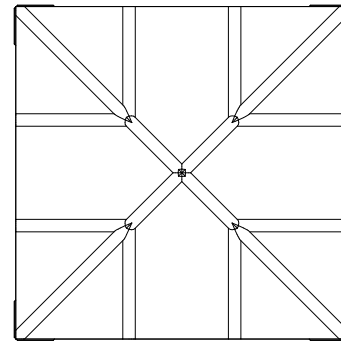


### Parts List

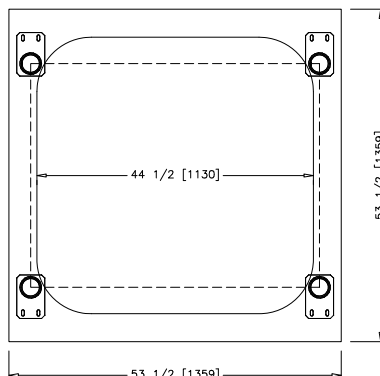
- 4 BRK00900 B5 Pyramid Roof Bracket
- 1 ROF01100 Pyramid Plastic Roof
  
- 8 2T-0604 - Button Cap Torx 3/8" x 1"
- 8 3V-0603 - Self Tapping Screw 3/8" x 3/4"
- 8 4L-0600 - Lock Nut W/ Nylon Locking 3/8"
- 16 5F-0500 - Flat Washer 5/16" S/S w/ 3/8" Hole



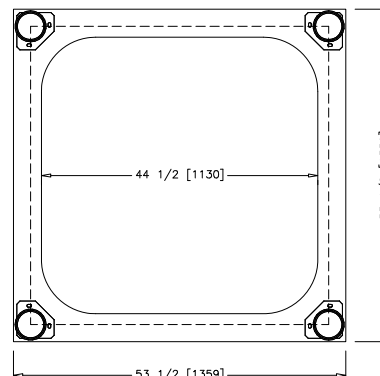
Carefully lift roof into place on top of roof brackets. Mark hole locations with marker. Remove roof to the ground and drill a hole in each of the marked locations. Replace roof on top of roof brackets and secure with 1" Button Cap Torx, Flat Washer, Lock Nut (x8) Secure bracket to post with Self Tapping Screws (x8)



**ROOF ON PLAYSTEEL FIT OVER SQUARE DECK**



**ROOF ON PLAYSTEEL FIT OVER RECTANGLE DECK**



**ROOF ON PLAYSTEEL MAX OVER SQUARE DECK**

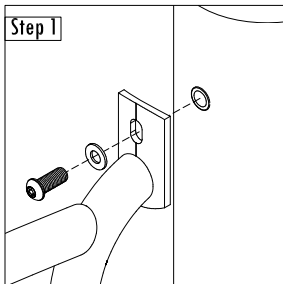
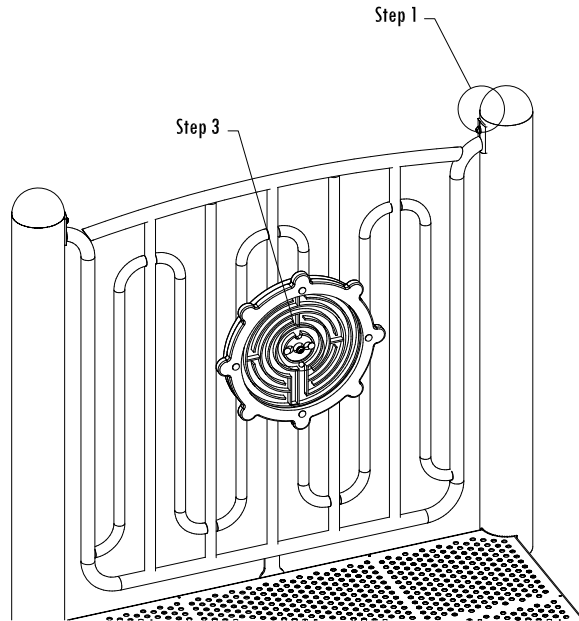
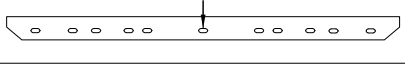
**This Instruction Applies To The Following Modules :**

- AP032 Steering Wheel Panel
- AP065 PlayShip Helm Panel
- AP144 Maze Wheel on Vertical Rail Panel
- AP162 Balance Ball Game on Vertical Rail Panel

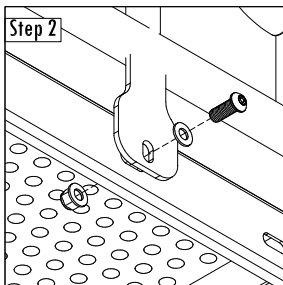
**Parts List**

- 1 BPN00100 Vertical Rail
- 1 Wheel or Game
- 1 Universal Wheel Parts
  
- 3 2T-0604 - Button Cap Torx w/ Pin 3/8" x 1"
- 1 2T-0614 - Button Cap Torx w/ Pin 3/8" x 2-1/2"
- 1 4N-0600 - Locking Flange Nut 3/8"
- 1 4L-0600 - Lock Nut w/ Nylon Locking 3/8"
- 4 5F-0500 - Flat Washer 5/16" S/S w/ 3/8" Hole

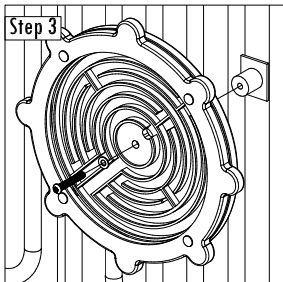
**DECK HOLES USED**



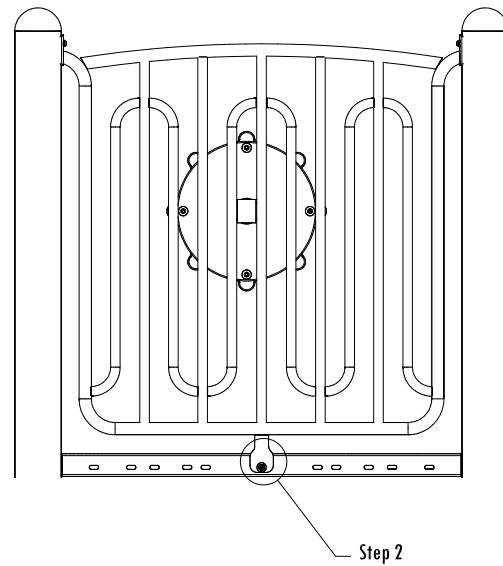
1" Button Cap, Flat Washer (x2)



1" Button Cap, Flat Washer, Locking Flange Nut (x2)



2-1/2" Button Cap, Flat Washer (x1)



PLAYSTEEL SQ N/A	PLAYSTEEL MAX B5-AP032-03 B5-AP065-03 B5-AP144-03 B5-AP162-02	PLAYSTEEL FIT B3-AP032-05 B4-AP032-03 B3-AP065-04 B4-AP065-03 B3-AP144-05 B4-AP144-03 B3-AP162-02 B4-AP162-02	ORBIS N/A	PLAYTOTS N/A	PAGE 1 OF 1
---------------------	---	---	--------------	-----------------	-------------

**This Instruction Applies To The Following Modules :**

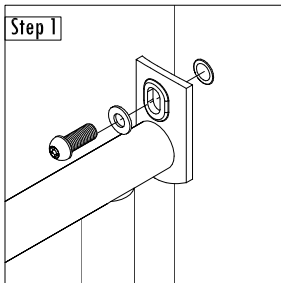
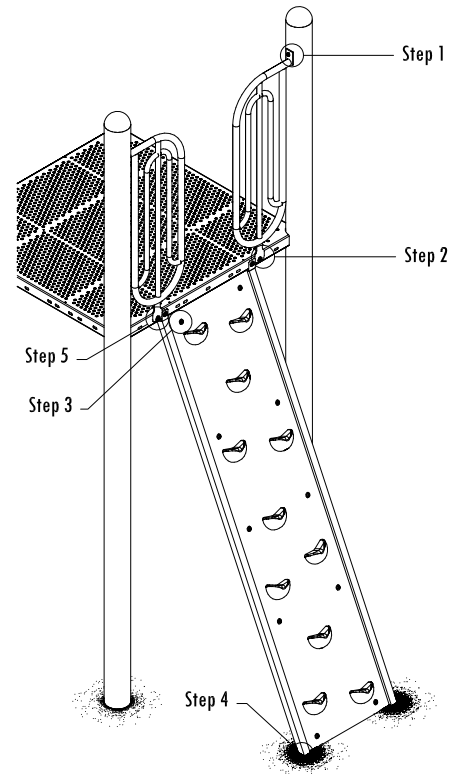
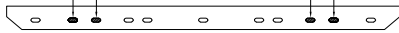
- |       |                     |       |                     |
|-------|---------------------|-------|---------------------|
| CB333 | Rockwall Climber 3' | CB336 | Rockwall Climber 6' |
| CB334 | Rockwall Climber 4' | CB337 | Rockwall Climber 7' |
| CB335 | Rockwall Climber 5' |       |                     |

**Parts List**

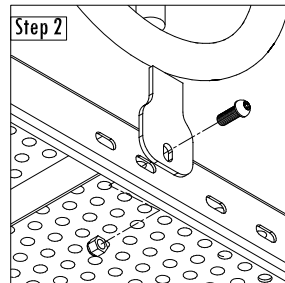
- |           |          |                                  |
|-----------|----------|----------------------------------|
| <b>1</b>  |          | Climber Frame                    |
| <b>1</b>  |          | Rockwall Climber Sheet           |
| <b>2</b>  | BPN00200 | Safety Rail                      |
| <b>2</b>  | GND00200 | Universal Ground Leg             |
| <b>20</b> | 2T-0604  | Button Cap Torx w/ Pin 3/8" x 1" |
| <b>8</b>  | 4L-0600  | Lock Nut w/ Nylon Locking 3/8"   |
| <b>10</b> | 4S-0604  | Spenco Nut 3/8" x 1"             |
| <b>28</b> | 5F-0500  | Flat Washer 5/16"                |
| <b>10</b> | 5F-0800  | Flat Washer 1/2"                 |

\* Quantities are shown for a 7' climber.

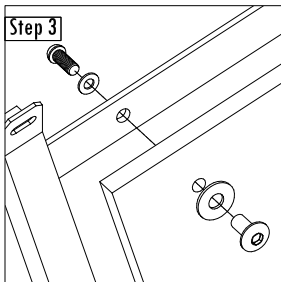
**DECK HOLES USED**



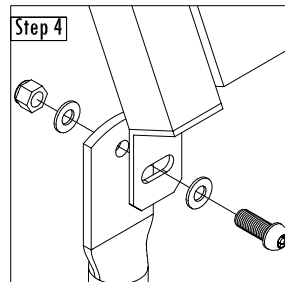
1" Button Cap Torx, Flat Washer (x2)



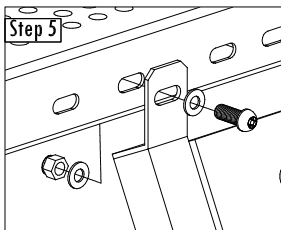
1" Button Cap Torx, Flat Washer, Lock Nut (x2)



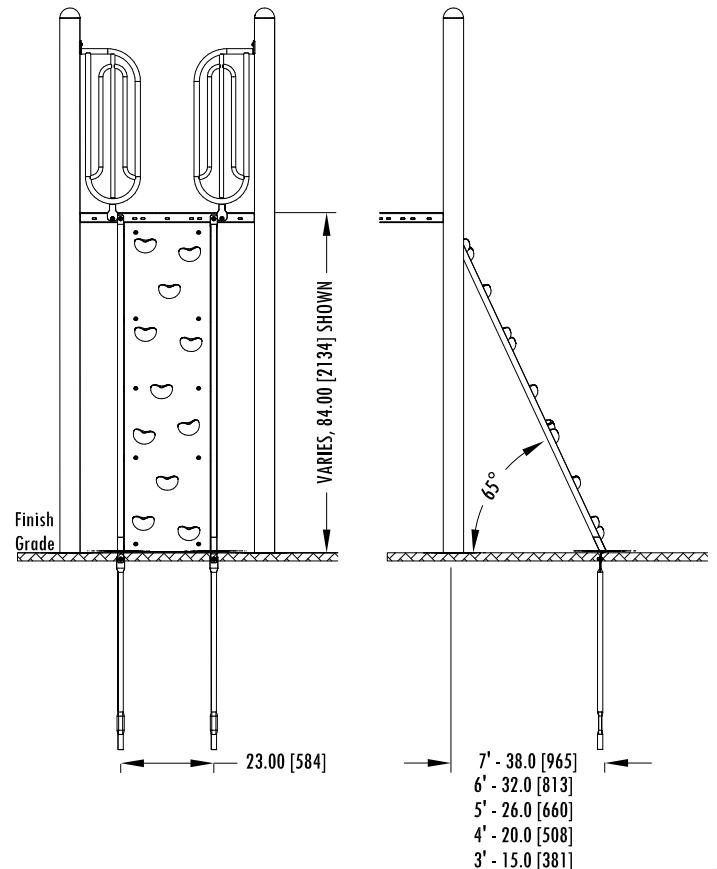
1" Torx, 5/16" Flat Washer, 1/2" Flat Washer, Spenco Nut (x10)



1" Button Cap Torx, Flat Washer, Lock Nut (x2)



1" Button Cap Torx, Flat Washer, Lock Nut (x2)  
Mounted to outside face only.



**OFFICE USE ONLY**

PLAYSTEEL SQ  
N/A

PLAYSTEEL MAX  
B5-CB333-02  
B5-CB334-02  
B5-CB335-02  
B5-CB336-02  
B5-CB337-02

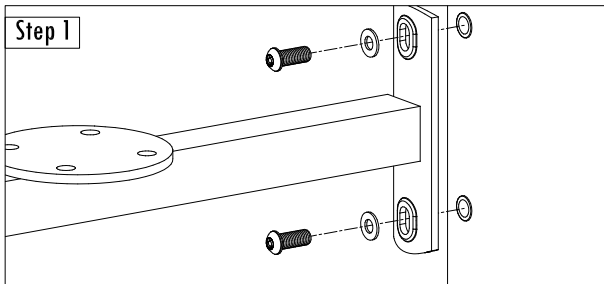
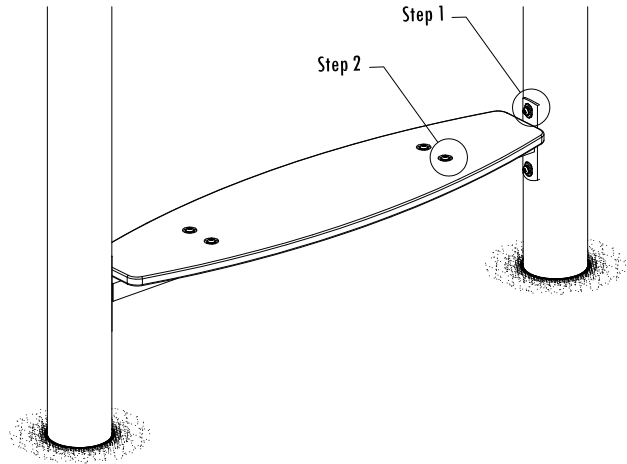
PLAYSTEEL FIT  
B3-CB333-02 B4-CB333-02  
B3-CB334-02 B4-CB334-02  
B3-CB335-02 B4-CB335-02  
B3-CB336-02 B4-CB336-02  
B3-CB337-02 B4-CB337-02

ORBIS  
N/A

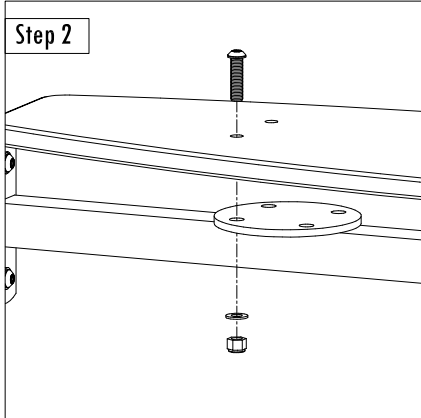
PLAYTOTS  
N/A

### Parts List

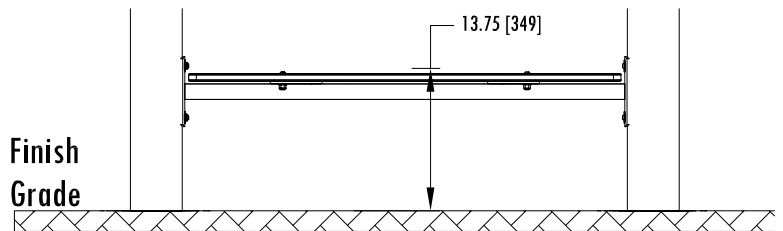
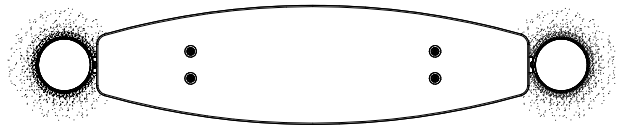
- 1 FRM01500 Double Pod Seat Frame
- 1 SHP04100 PlaySeat Plastic
  
- 4 2T-0604 - Button Cap Torx w/ Pin 3/8" x 1"
- 4 2T-0606 - Button Cap Torx w/ Pin 3/8" x 1-1/2"
- 4 4L-0600 - Lock Nut w/ Nylon Locking 3/8"
- 12 5F-0500 - Flat Washer 5/16" S/S w/ 3/8" Hole



1" Button Cap, Flat Washer (x4)

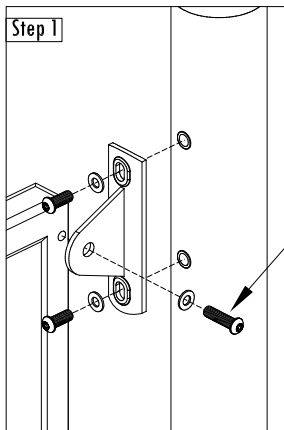
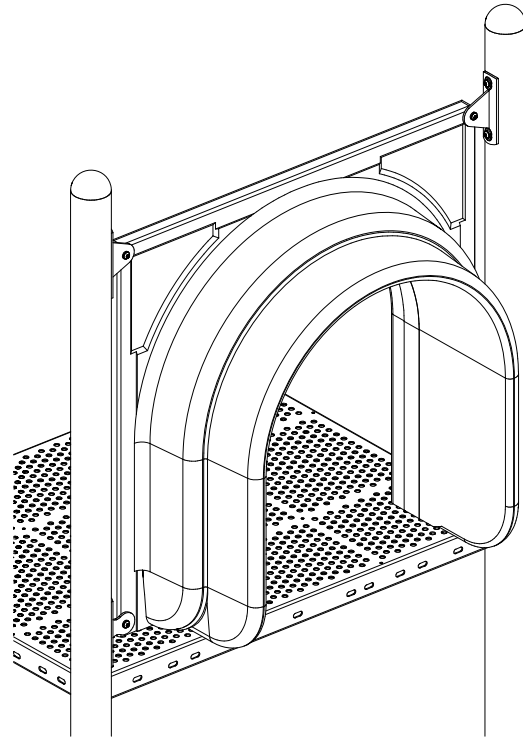


1-1/2" Button Cap, Flat Washers, Lock Nut (x4)



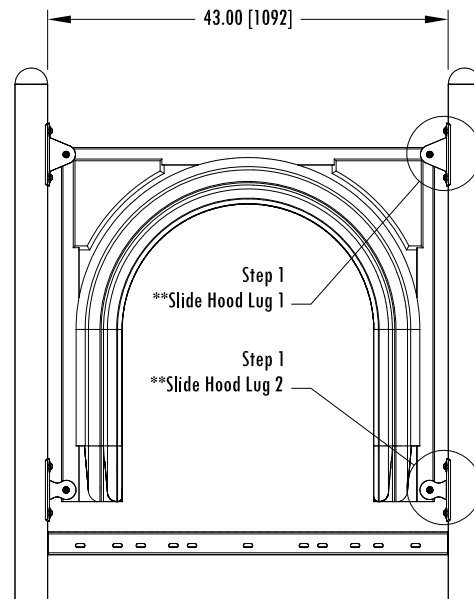
### Parts List

- 2 BRK12800 Slide Hood Lug 1
- 2 BRK12800 Slide Hood Lug 2
- 1 PPN00700 B4 B5 Single Slide Hood
  
- 8 2T-0604 - Button Cap Torx w/ Pin 3/8" x 1"
- 4 2T-0606z - Button Cap Torx w/ Pin 3/8" x 1-1/2" (no locktite)
- 12 5F-0500 - Flat Washer 5/16" S/S w/ 3/8" Hole



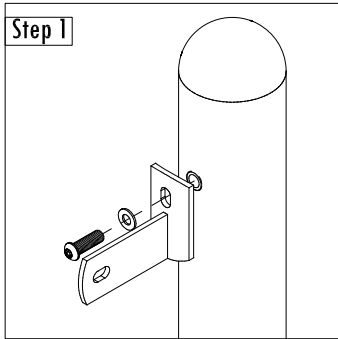
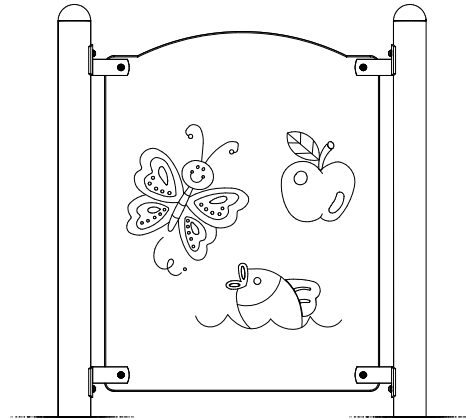
NO LOCKTITE

- 1" Button Cap, Flat Washer (x8)
- 1-1/2" Button Cap, Flat Washer (x4)

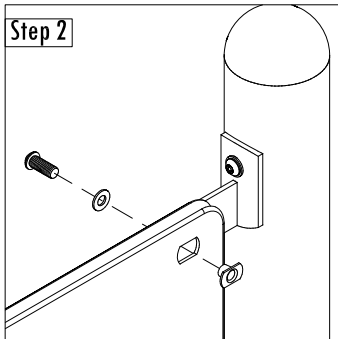


### Parts List

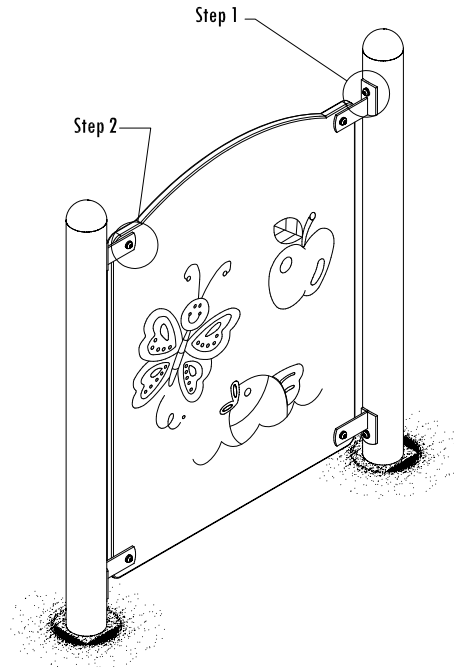
- 1 Sheet Plastic Panel
- 4 BRK00400 Sheet Plastic Bracket
- 8 2T-0604 - Button Cap Torx w/ Pin 3/8" x 1"
- 4 4D-0600 - T Nut 3/8"
- 8 5F-0500 - Flat Washer 5/16" S/S w/ 3/8" Hole



1" Button Cap, Flat Washer (x4)



1" Button Cap, Flat Washer, T Nut (x4)



OFFICE USE ONLY

12/20/2012

**PLAYSTEEL FIT:**

B3 MODULES	B3-AP002-01	B3-AP017-01	B3-AP036-01	B3-AP067-01	B3-AP084-01	B3-AP111-01	B3-AP129-02	B3-AP150-00	B3-AP157-00
	B3-AP004-01	B3-AP019-01	B3-AP037-01	B3-AP068-01	B3-AP086-01	B3-AP114-01	B3-AP130-02	B3-AP151-00	B3-AP163-00
	B3-AP006-01	B3-AP021-01	B3-AP058-01	B3-AP069-01	B3-AP093-00	B3-AP116-01	B3-AP132-02	B3-AP152-00	
	B3-AP010-01	B3-AP023-01	B3-AP059-01	B3-AP072-01	B3-AP096-01	B3-AP118-01	B3-AP143-01	B3-AP153-00	
	B3-AP013-01	B3-AP027-01	B3-AP062-01	B3-AP078-01	B3-AP104-01	B3-AP119-01	B3-AP145-01	B3-AP154-00	
	B3-AP015-01	B3-AP034-01	B3-AP064-01	B3-AP080-01	B3-AP108-01	B3-AP121-01	B3-AP146-01	B3-AP156-00	
	B4-AP002-01	B4-AP017-01	B4-AP036-01	B4-AP067-01	B4-AP084-01	B4-AP111-01	B4-AP129-01	B4-AP146-01	B4-AP156-00
	B4-AP004-01	B4-AP019-01	B4-AP037-01	B4-AP068-01	B4-AP086-01	B4-AP114-01	B4-AP130-01	B4-AP150-00	B4-AP157-00
B4-AP006-01	B4-AP021-01	B4-AP058-01	B4-AP069-01	B4-AP093-00	B4-AP116-01	B4-AP132-01	B4-AP151-00	B4-AP163-00	
B4-AP010-01	B4-AP023-01	B4-AP059-01	B4-AP072-01	B4-AP096-01	B4-AP118-01	B4-AP139-01	B4-AP152-00		
B4-AP013-01	B4-AP027-01	B4-AP062-01	B4-AP078-01	B4-AP104-01	B4-AP119-01	B4-AP143-01	B4-AP153-00		
B4-AP015-01	B4-AP034-01	B4-AP064-01	B4-AP080-01	B4-AP108-01	B4-AP121-01	B4-AP145-01	B4-AP154-00		



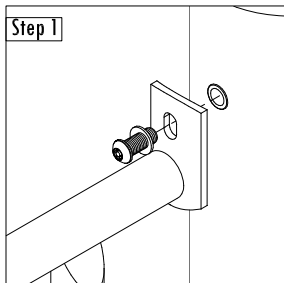
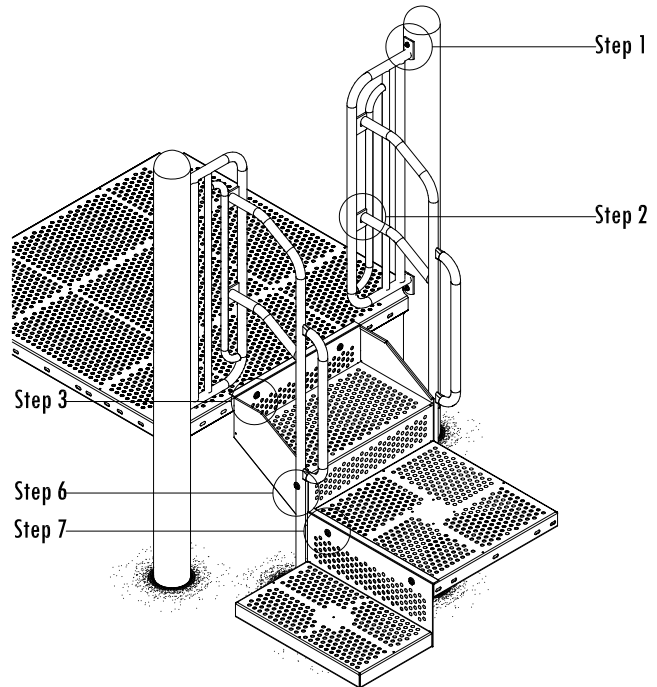
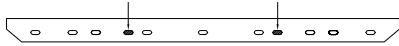
**This Instruction Applies To The Following Modules :**

- ST092 & ST102 - Transfer Station 2FT
- ST093 & ST103 - Transfer Station 3FT
- ST094 & ST104 - Transfer Station 4FT
- ST095 & ST105 - Transfer Station 5FT

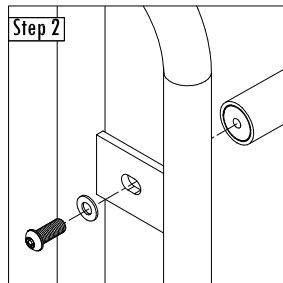
**Parts List**

2	GND1000	Transfer Station Ground Leg
2	HDR01300	Stair Barrier Rail- Upper 16"
2		Transfer Step Handrails
1	DCK02500	Transfer Deck
1		Accessible Stair
1	STR03500	Transfer Station Step
24	2T-0604	Button Cap Torx w/Pin 3/8" x 1"
2	2T-0608	Button Cap Torx w/Pin 3/8" x 2"
2	4L-0600	Lock Nut w/ Nylon Locking 3/8"
16	4N-0600	Locking Flange Nut 3/8"
26	5F-0500	Flat Washer 5/16" S/S w/ 3/8" Hole

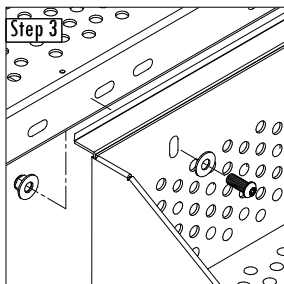
**DECK HOLES USED**



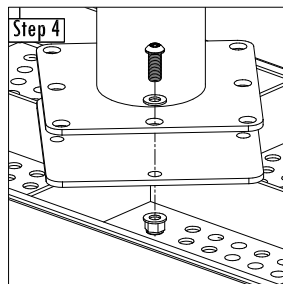
Step 1  
1" Button Cap Torx, Flat Washer (x4)



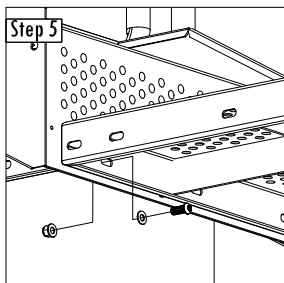
Step 2  
1" Button Cap Torx, Flat Washer (x4)



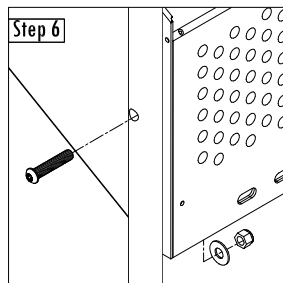
Step 3  
1" Button Cap Torx, Flat Washers, Locking Flange Nut (x2)



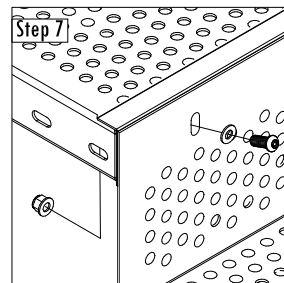
Step 4  
1" Button Cap Torx, Flat Washers, Locking Flange Nut (x8)



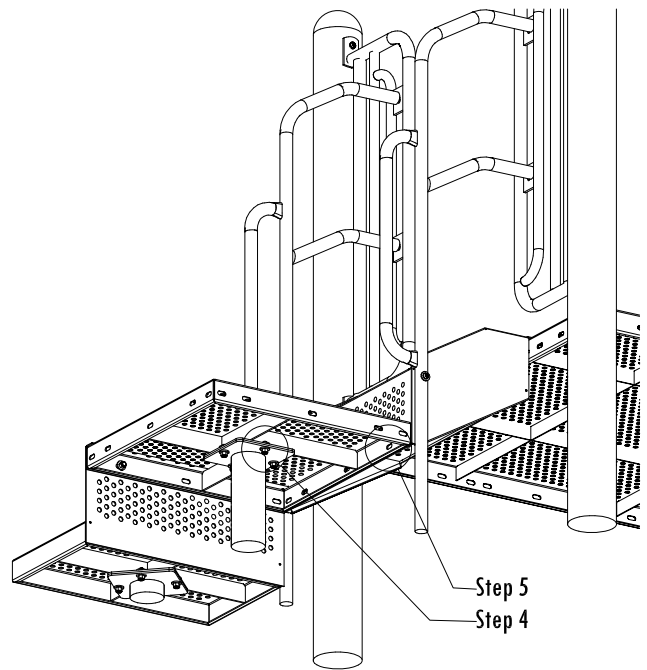
Step 5  
1" Button Cap Torx, Flat Washers, Locking Flange Nut (x2)



Step 6  
2" Button Cap Torx, Flat Washer, Lock Nut (x2)



Step 7  
1" Button Cap Torx, Flat Washers, Locking Flange Nut (x2)

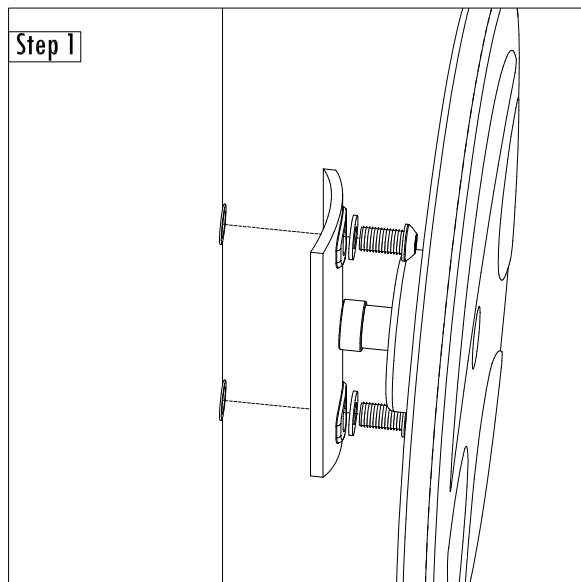
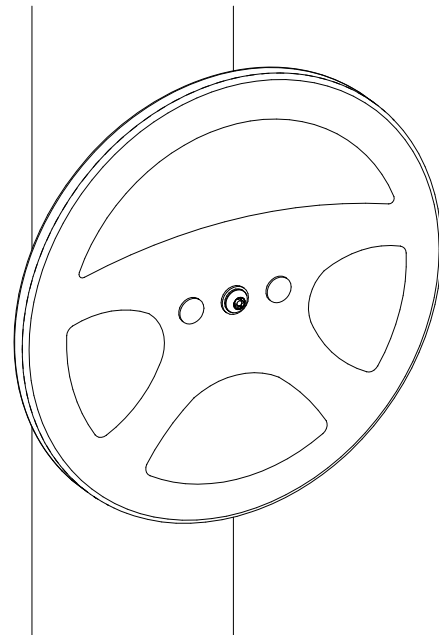


**This Instruction Applies To The Following Modules :**

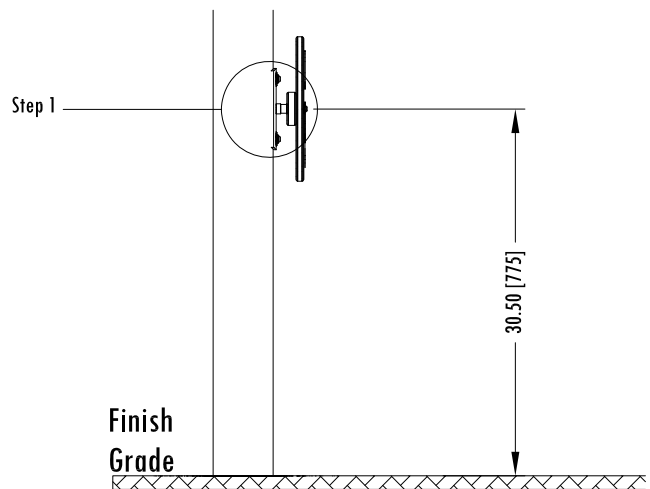
- AP158 - Balance Ball Game
- PT023 - PlayTot Ship Wheel on Post
- SC003 - Steering Wheel on Post
- SC005 - PlayShip Steering Wheel on Post
- SC027 - Maze Wheel

**Parts List**

- 1 Wheel with On Post Mounting Bracket
- 2 2T-0604 Button Cap Torx w/ Pin 3/8" x 1"
- 2 5F-0500 Flat Washer 5/16" with 3/8" Hole



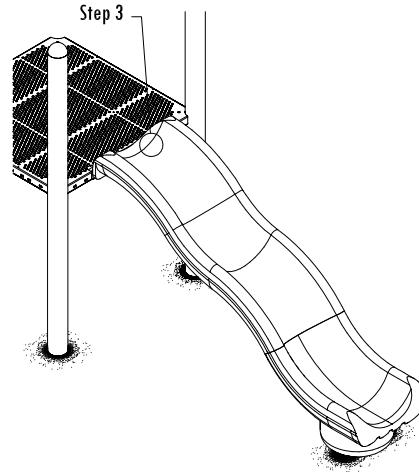
1" Button Cap, Flat Washer (x2)



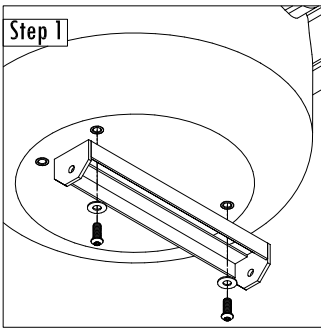
PLAYSTEEL SQ	PLAYSTEEL MAX	PLAYSTEEL FIT	ORBIS	PLAYTOTS	PAGE
	B5-AP158-02	B3-AP158-02		PT-PT023-01	1 OF 1
	B5-SC003-03	B3-SC003-03	N/A		
	B5-SC005-02	B3-SC005-02			
	B5-SC027-03	B3-SC027-04			

### Parts List

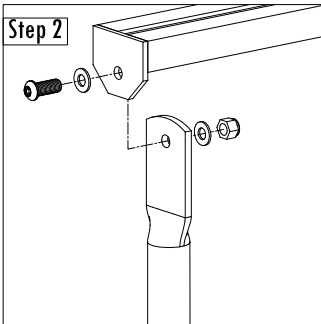
- 1 PSL01700 4' Poly Wave Slide
- 1 GND00100 Universal Ground Leg Mount
- 2 GND00200 Universal Ground Leg
  
- 4 2T-0604 - Button Cap Torx w/ Pin 3/8" x 1"
- 2 2T-0608 - Button Cap Torx w/ Pin 3/8" x 2"
- 2 4L-0600 - Lock Nut w/ Nylon Locking 3/8"
- 8 5F-0500 - Flat Washer 5/16" S/S w/ 3/8" Hole



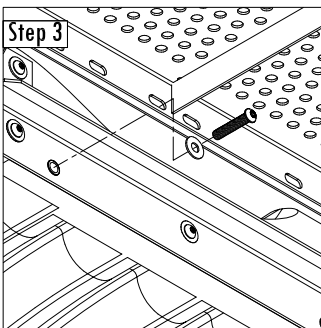
### DECK HOLES USED



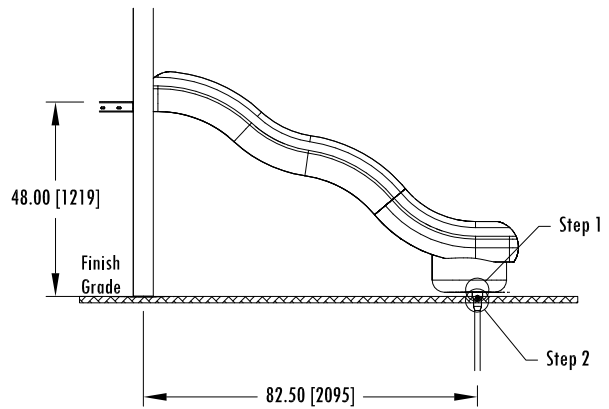
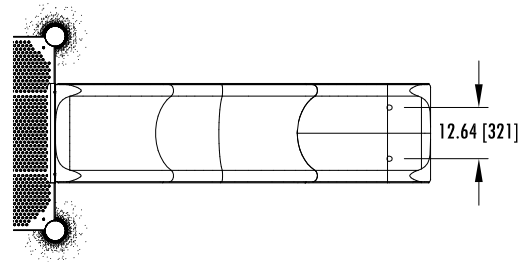
1" Button Cap Torx, Flat Washer (x2)



1" Button Cap Torx, Flat Washer, Lock Nut (x2)



2" Button Cap Torx, Flat Washer (x2)



**This Instruction Applies To The Following Modules :**

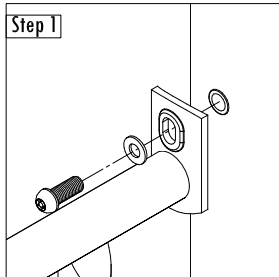
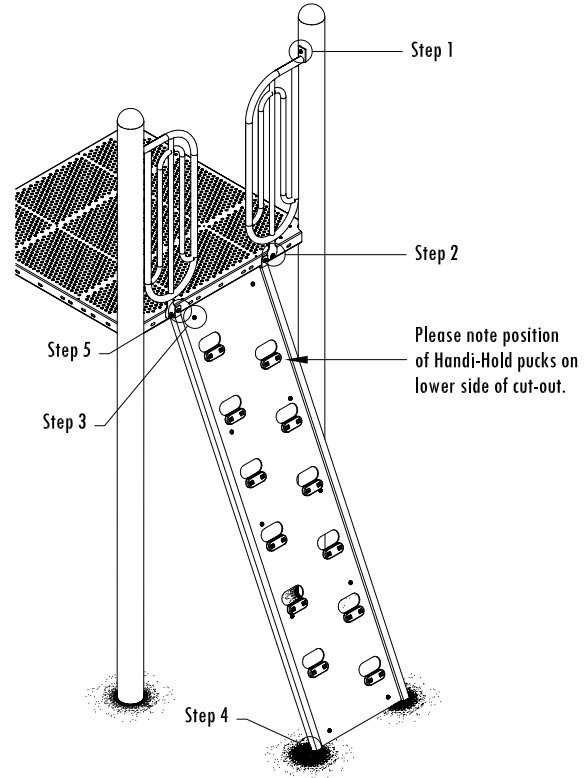
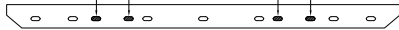
- CB063 Handi-Hold Climber 3'
- CB064 Handi-Hold Climber 4'
- CB065 Handi-Hold Climber 5'
- CB066 Handi-Hold Climber 6'
- CB067 Handi-Hold Climber 7'

**Parts List**

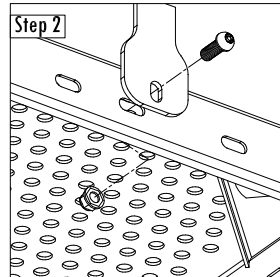
<b>1</b>		Climber Frame
<b>1</b>		Handi-Hold Climber Plastic Sheet
<b>2</b>	BPN00200	Safety Rail
<b>2</b>	GND00200	Universal Ground Leg
<b>20</b>	2T-0604	Button Cap Torx w/ Pin 3/8" x 1"
<b>8</b>	4L-0600	Lock Nut w/ Nylon Locking 3/8"
<b>10</b>	4S-0604	Spenco Nut 3/8" x 1"
<b>28</b>	5F-0500	Flat Washer 5/16"
<b>10</b>	5F-0800	Flat Washer 1/2"

\* Quantities are shown for a 7' climber.

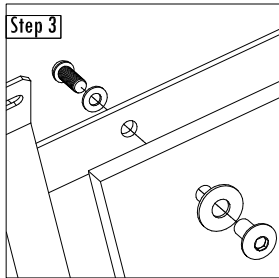
**DECK HOLES USED**



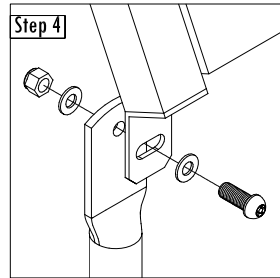
1" Button Cap Torx, Flat Washer (x2)



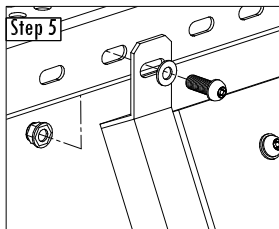
1" Button Cap Torx, Flat Washer, Locking Flange Nut (x2)



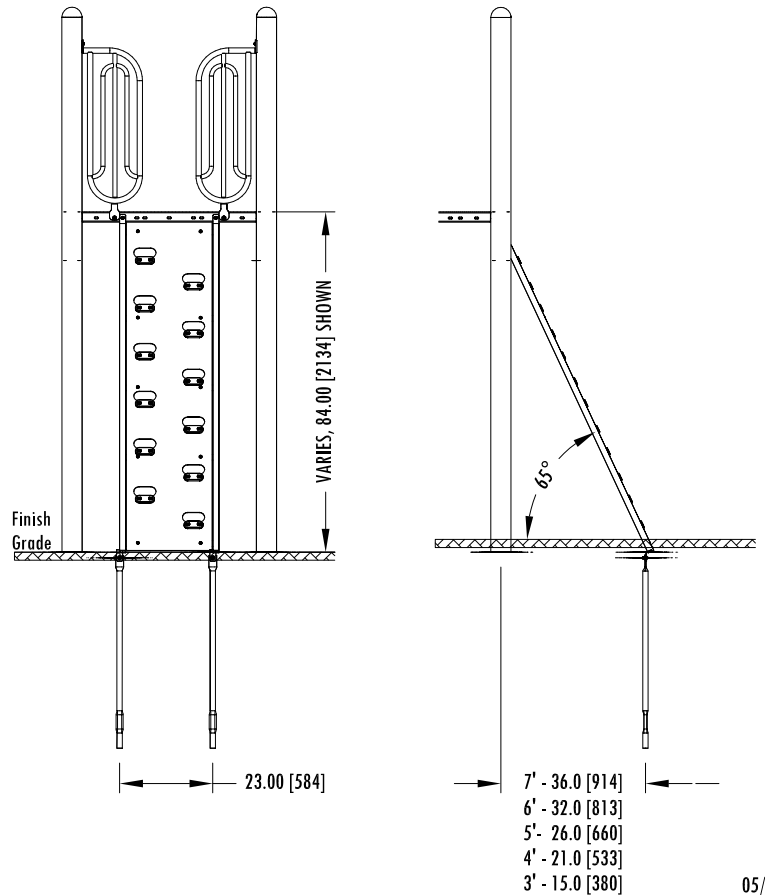
1" Torx, 5/16" Flat Washer, 1/2" Flat Washer, Spenco Nut (x10)



1" Button Cap Torx, Flat Washer, Lock Nut (x2)



1" Button Cap Torx, Flat Washer, Locking Flange Nut (x2)  
Mounted to outside face only.



**OFFICE USE ONLY**

PLAYSTEEL SQ N/A	PLAYSTEEL MAX B5-CB063-02 B5-CB064-02 B5-CB065-02 B5-CB066-02 B5-CB067-01	PLAYSTEEL FIT B3-CB063-02 B3-CB064-02 B3-CB065-02 B3-CB066-02 B3-CB067-01	B4-CB063-02 B4-CB064-02 B4-CB065-02 B4-CB066-02 B4-CB067-01	ORBIS N/A	PLAYTOTS N/A	PAGE 1 OF 1
---------------------	--	--	---	--------------	-----------------	-------------

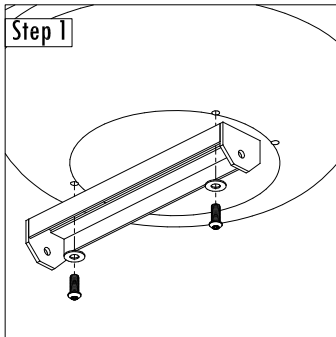
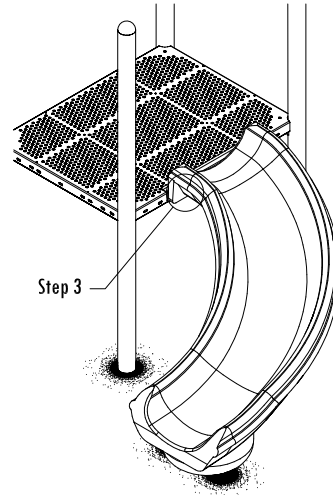
**This Instruction Applies To The Following Modules :**

- SL173 Poly Twister Slide 3'
- SL174 Poly Twister Slide 4'

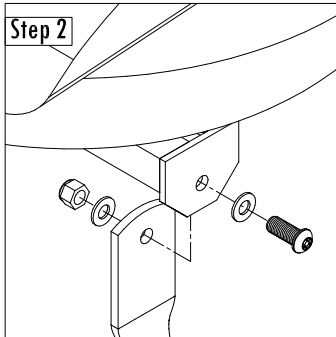
**Parts List**

- 1 Twister Poly Slide
- 1 GND00100 Universal Ground Leg Mount
- 2 GND00200 Universal Ground Leg
- 4 2T-0604 - Button Cap Torx w/ Pin 3/8" x 1"
- 2 2T-0608 - Button Cap Torx w/ Pin 3/8" x 2"
- 2 4L-0600 - Lock Nut w/ Nylon Locking 3/8"
- 8 5F-0500 - Flat Washer 5/16" S/S w/ 3/8" Hole

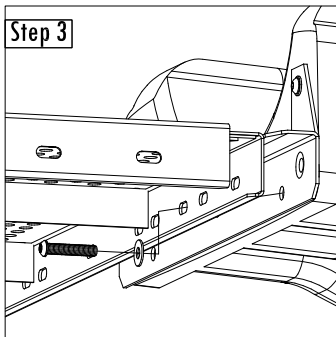
**DECK HOLES USED**



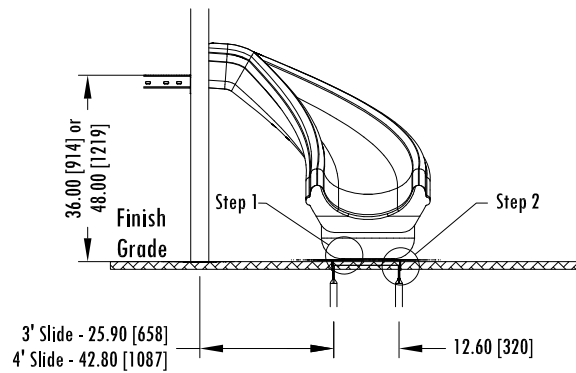
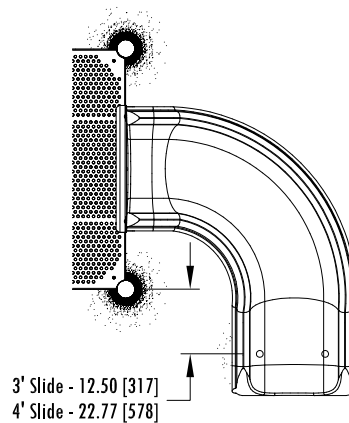
1" Button Cap Torx, Flat Washer (x2)



1" Button Cap Torx, Flat Washers, Lock Nut (x2)

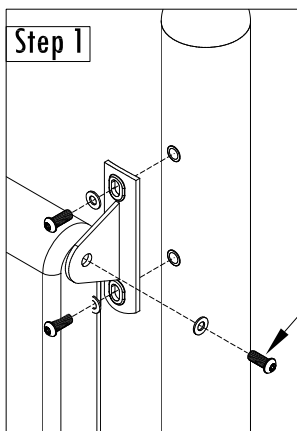
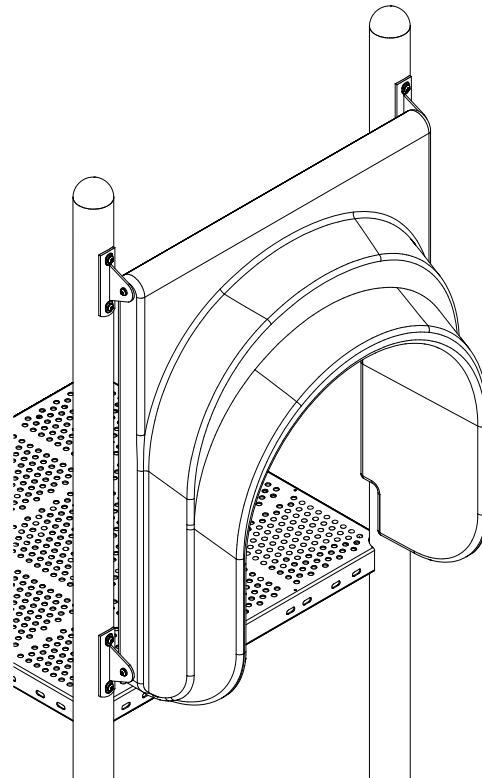


2" Button Cap Torx, Flat Washer (x2)



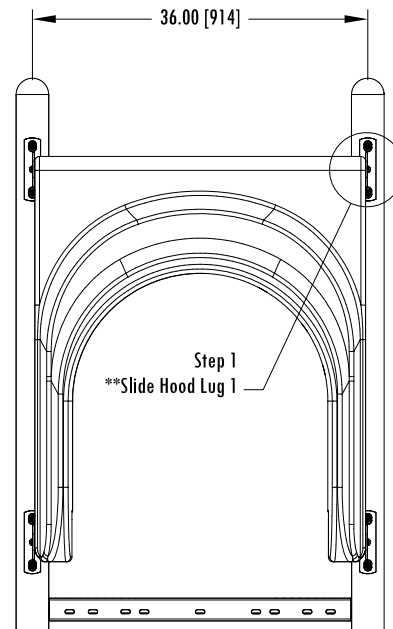
### Parts List

- 4 BRK12800 Slide Hood Lug 1
- 1 PPN00701 B3 Single Slide Hood
  
- 8 2T-0604 - Button Cap Torx w/ Pin 3/8" x 1"
- 4 2T-0606z - Button Cap Torx w/ Pin 3/8" x 1-1/2" (no locktite)
- 12 5F-0500 - Flat Washer 5/16" S/S w/ 3/8" Hole



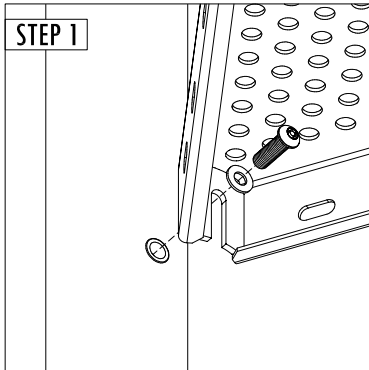
NO LOCKTITE

1" Button Cap, Flat Washer (x8)  
 1-1/2" Button Cap, Flat Washer (x4)

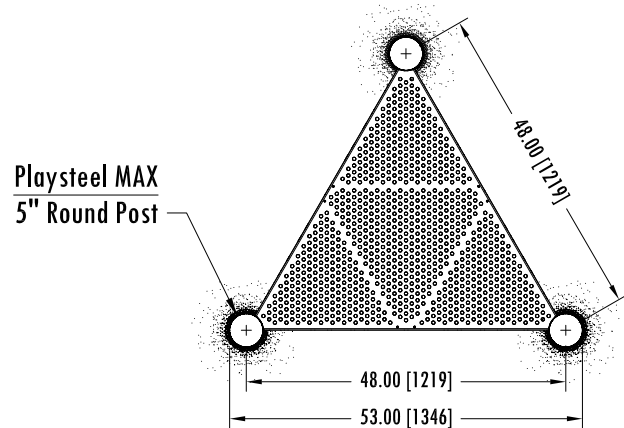
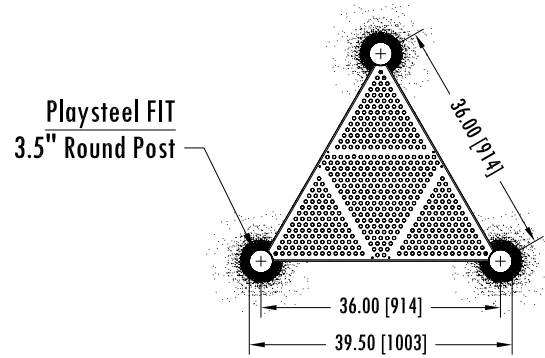
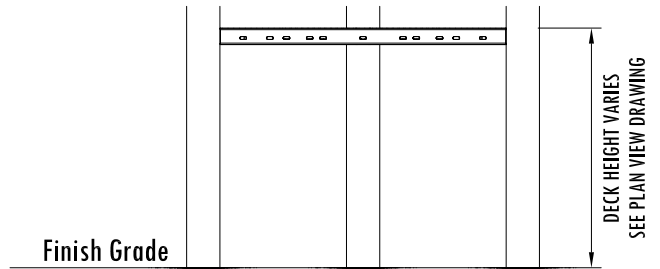
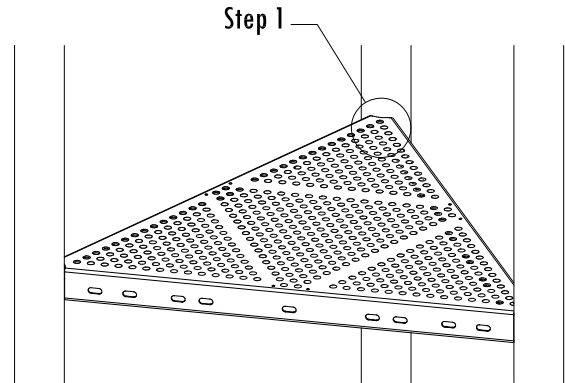


### Parts List

1	DCK01900	Triangle Deck
3	2T-0604	Button Cap Torx w/ Pin 3/8" x 1"
3	5F-0500	Flat Washer 5/16"



1" Button Cap, Flat Washer (x3)

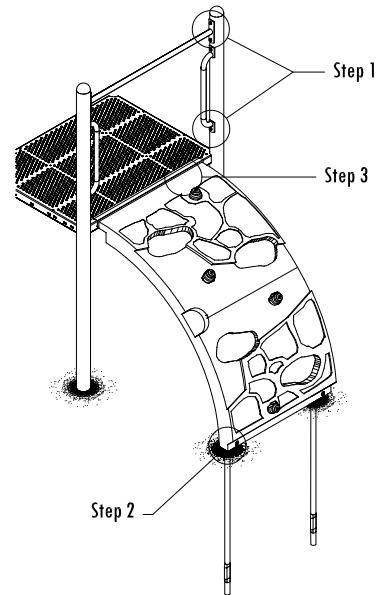


**This Instruction Applies To The Following Modules :**

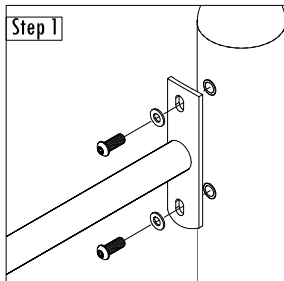
- CB583 Bedrock Climber 3'
- CB584 Bedrock Climber 4'

**Parts List**

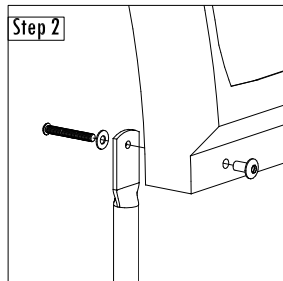
- 1 PSP02600 Bedrock Climber Assembly
- 1 OHE00100 Turning Bar
- 2 CLM00100 Grab Bar
- 2 GND00200 Universal Ground Leg
  
- 11 2T-0604 - Button Cap Torx w/ Pin 3/8" x 1"
- 2 2T-0612 - Button Cap Torx w/ Pin 3/8" x 3
- 2 4S-0604 - Spenco Nut 3/8" x 1"
- 13 5F-0500 - Flat Washer 5/16" S/S w/ 3/8" Hole



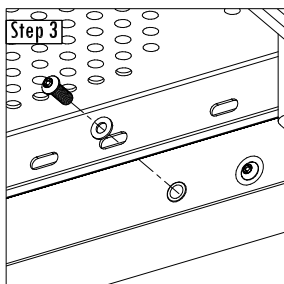
**DECK HOLES USED**



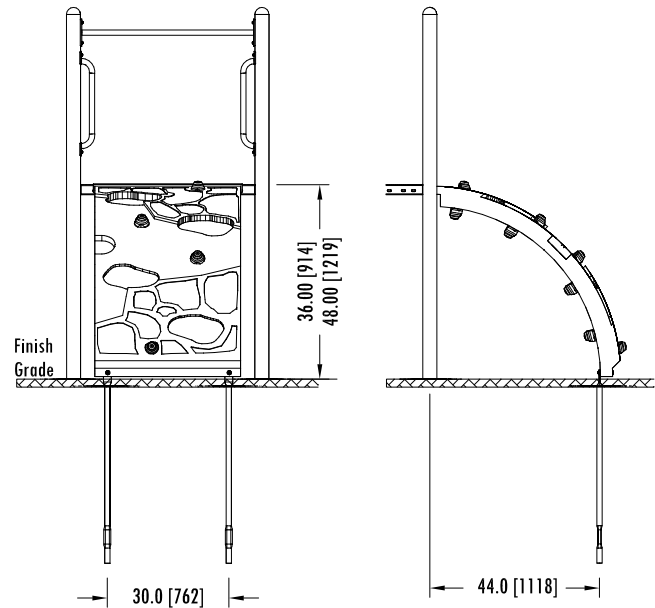
1" Button Cap Torx, Flat Washer (x8)



3" Button Cap Torx, Flat Washer, Spenco Nut (x2)



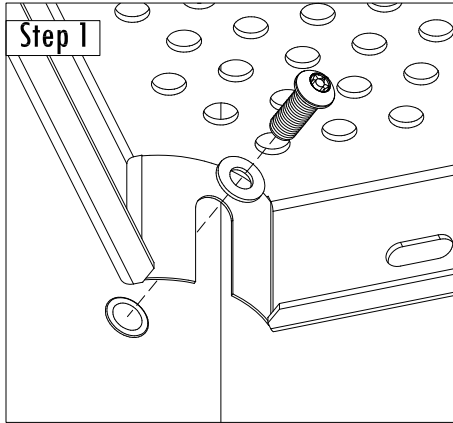
1" Button Cap Torx, Flat Washer (x3)



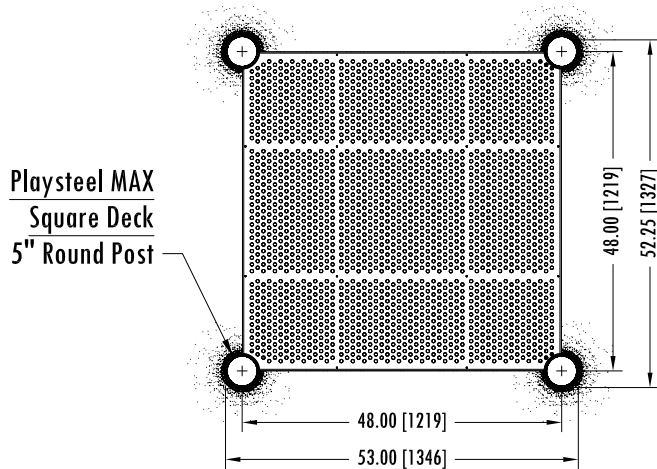
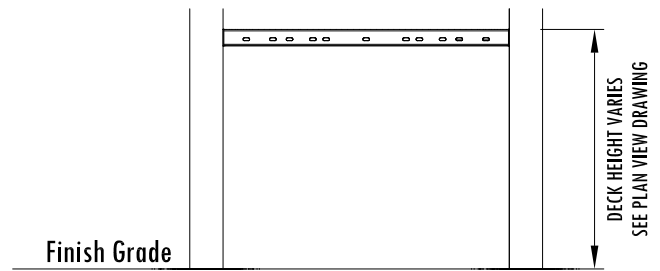
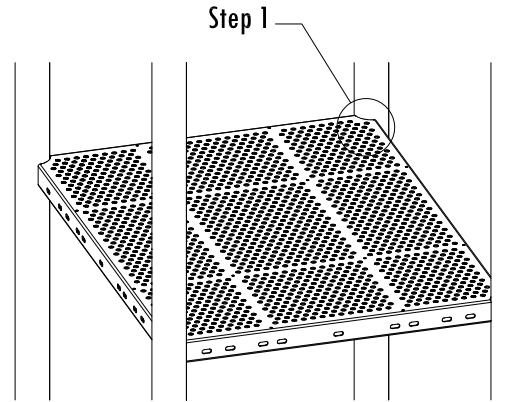


### Parts List

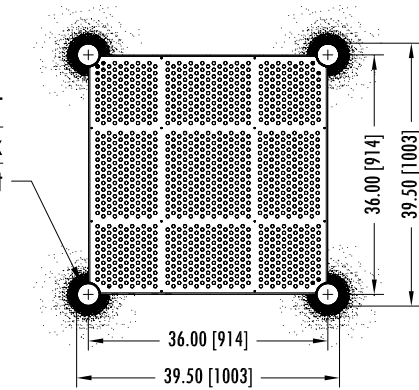
1		Deck
4	2T-0604	Button Cap Torx w/ Pin 3/8" x 1"
4	5F-0500	Flat Washer 5/16" S/S w/ 3/8" Hole



1" Button Cap, Flat Washer (x4)



Playsteel FIT  
Square Deck  
3.5" Round Post



Playsteel FIT  
Rectangle Deck  
3.5" Round Post

