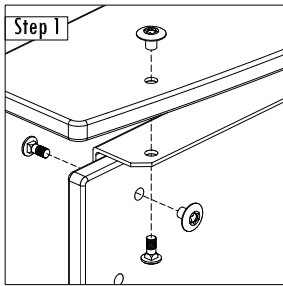
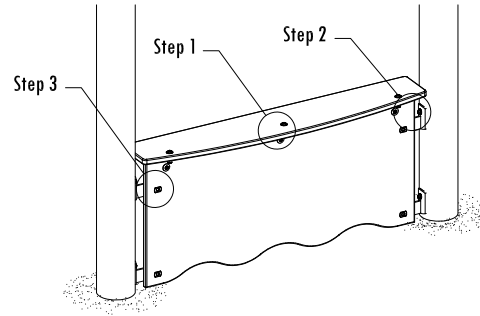


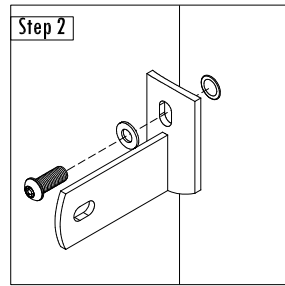
Parts List

- 4 BRK004000 Sheet Plastic Bracket
- 1 SHP00700 PlayCounter Panel
- 1 SHP01300 PlayCounter Top
- 1 PlayCounter Bracket

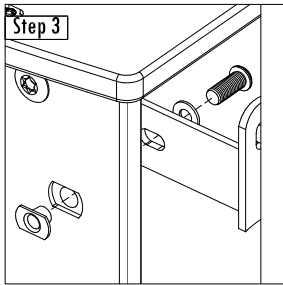
- 6 1C-0503 - Carriage Bolt 5/16" x 3/4"
- 8 2T-0604 - Button Cap Torx w/ Pin 3/8" x 1"
- 6 4C-0500 - Camtainer Nut 5/16"
- 4 4D-0600 - T Nut 3/8" x 3/4"
- 8 5F-0500 - Flat Washer 5/16" S/S w/ 3/8" Hole



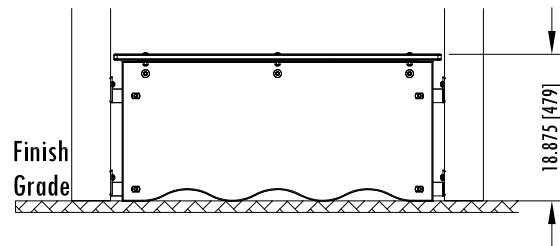
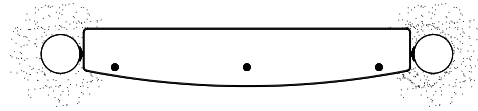
3/4" Carriage Bolt, Camtainer Nut (x6)



1" Button Cap, Flat Washer (x4)

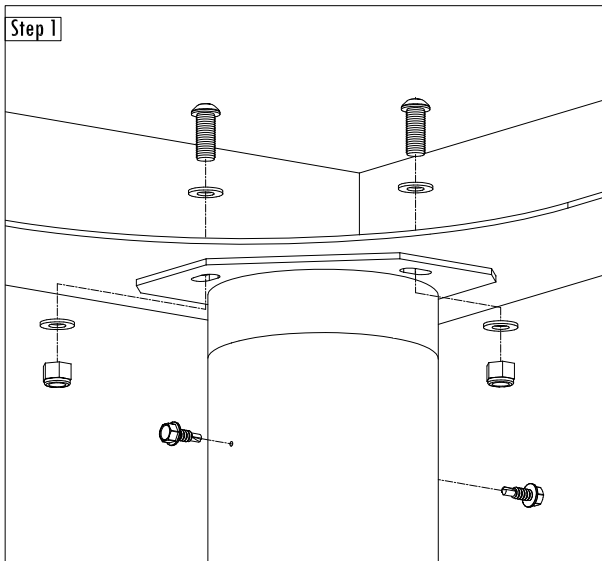
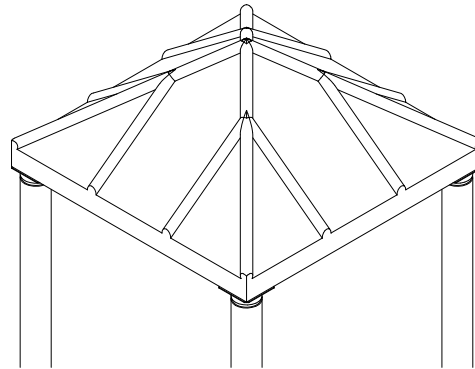


1" Button Cap, Flat Washer, T Nut (x4)

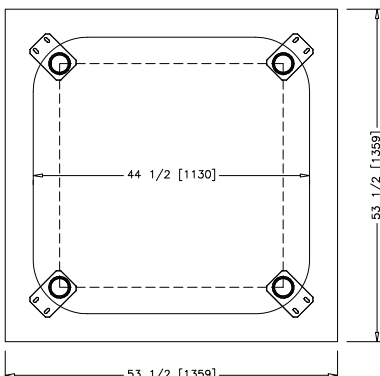
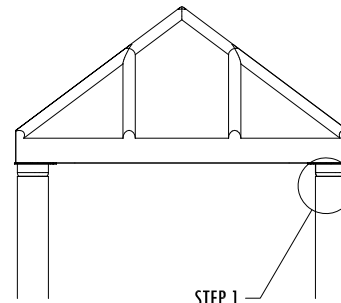
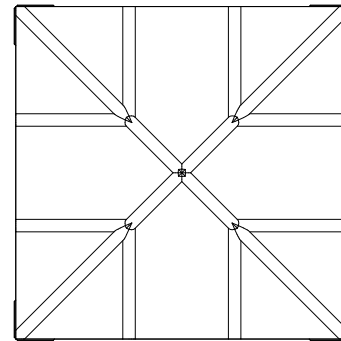


Parts List

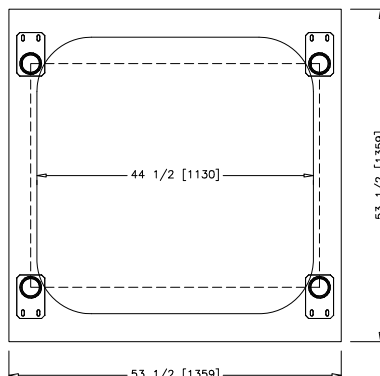
- 4 BRK00900 B5 Pyramid Roof Bracket
- 1 ROF01100 Pyramid Plastic Roof
- 8 2T-0604 - Button Cap Torx 3/8" x 1"
- 8 3V-0603 - Self Tapping Screw 3/8" x 3/4"
- 8 4L-0600 - Lock Nut W/ Nylon Locking 3/8"
- 16 5F-0500 - Flat Washer 5/16" S/S w/ 3/8" Hole



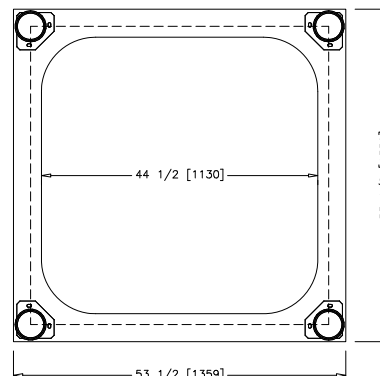
Carefully lift roof into place on top of roof brackets. Mark hole locations with marker. Remove roof to the ground and drill a hole in each of the marked locations. Replace roof on top of roof brackets and secure with 1" Button Cap Torx, Flat Washer, Lock Nut (x8) Secure bracket to post with Self Tapping Screws (x8)



**ROOF ON PLAYSTEEL FIT
OVER SQUARE DECK**



**ROOF ON PLAYSTEEL FIT
OVER RECTANGLE DECK**



**ROOF ON PLAYSTEEL MAX
OVER SQUARE DECK**

This Instruction Applies To The Following Modules :

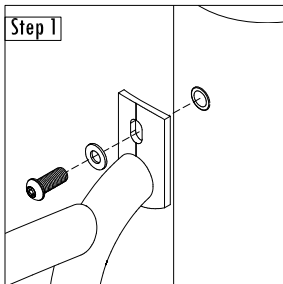
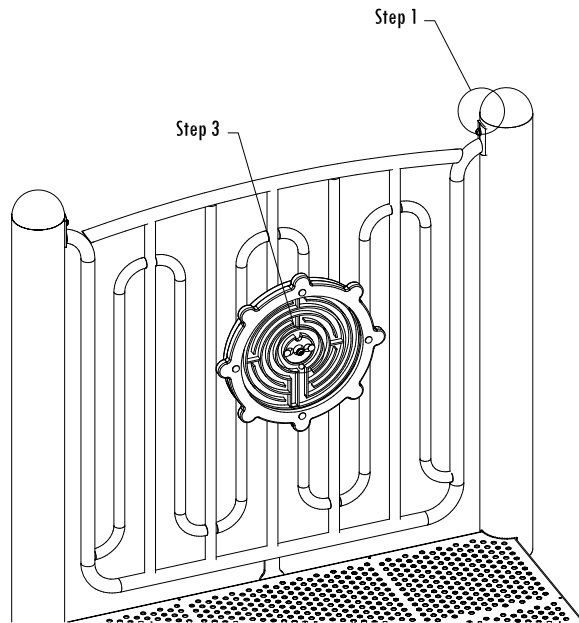
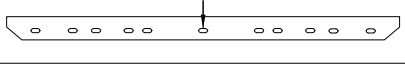
- AP032 Steering Wheel Panel
- AP065 PlayShip Helm Panel
- AP144 Maze Wheel on Vertical Rail Panel
- AP162 Balance Ball Game on Vertical Rail Panel

Parts List

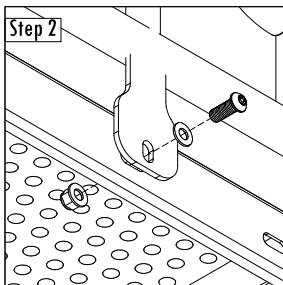
- 1 BPN00100 Vertical Rail
- 1 Wheel or Game
- 1 Universal Wheel Parts

- 3 2T-0604 - Button Cap Torx w/ Pin 3/8" x 1"
- 1 2T-0614 - Button Cap Torx w/ Pin 3/8" x 2-1/2"
- 1 4N-0600 - Locking Flange Nut 3/8"
- 1 4L-0600 - Lock Nut w/ Nylon Locking 3/8"
- 4 5F-0500 - Flat Washer 5/16" S/S w/ 3/8" Hole

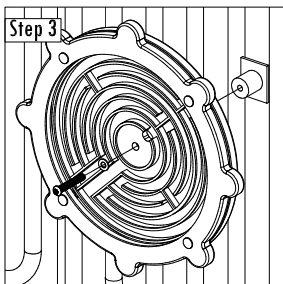
DECK HOLES USED



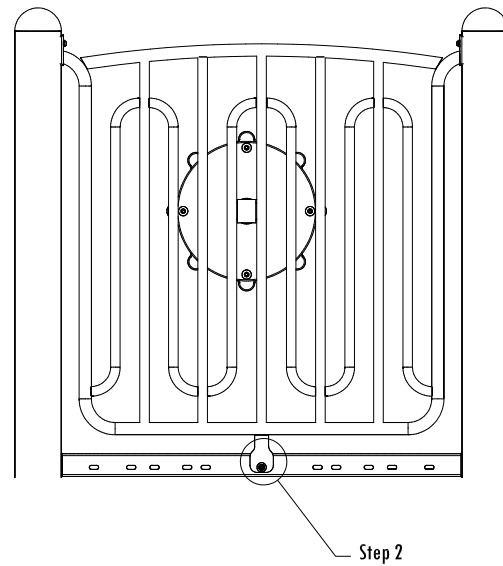
1" Button Cap, Flat Washer (x2)



1" Button Cap, Flat Washer, Locking Flange Nut (x2)



2-1/2" Button Cap, Flat Washer (x1)



PLAYSTEEL SQ N/A	PLAYSTEEL MAX B5-AP032-03 B5-AP065-03 B5-AP144-03 B5-AP162-02	PLAYSTEEL FIT B3-AP032-05 B4-AP032-03 B3-AP065-04 B4-AP065-03 B3-AP144-05 B4-AP144-03 B3-AP162-02 B4-AP162-02	ORBIS N/A	PLAYTOTS N/A	PAGE 1 OF 1
---------------------	---	---	--------------	-----------------	-------------

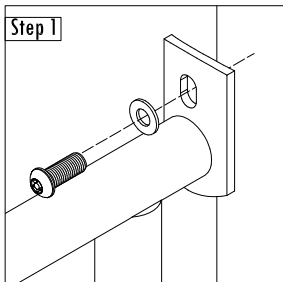
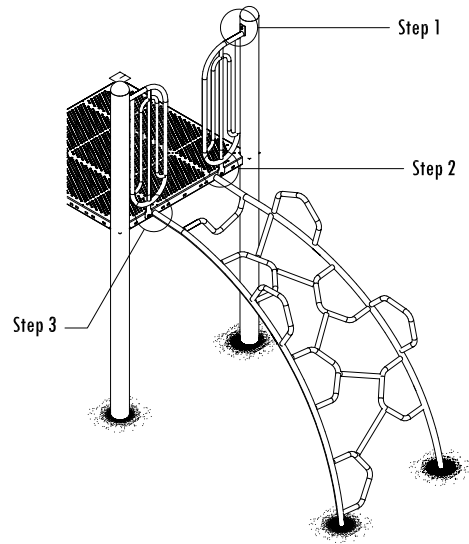
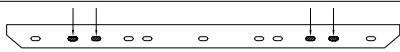
This Instruction Applies To The Following Modules :

- CB713 Stegosaurus Climber 5'
- CB714 Stegosaurus Climber 6'
- CB715 Stegosaurus Climber 7'

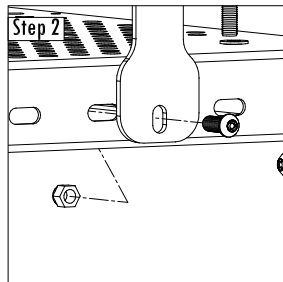
Parts List

1		StegosaurusClimber
2	BPN00200	Safety Rail
4	2T-0604	Button Cap Torx w/ Pin 3/8" x 1"
2	2T-0608	Button Cap Torx w/ Pin 3/8" x 2"
2	4L-0601	SSLock Nut 3/8"
8	5F-0500	Flat Washer 5/16" S/S w/ 3/8" Hole

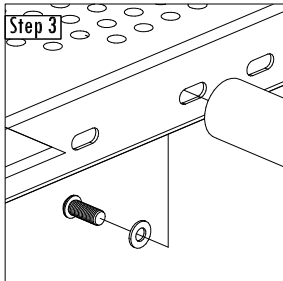
DECK HOLES USED



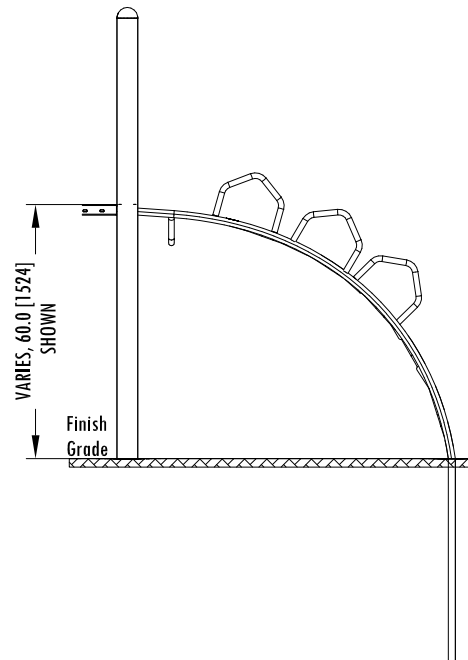
1" Button Cap Torx, Flat Washer (x2)



1" Button Cap Torx, Flat Washer, Lock Nut (x2)



1" Button Cap Torx, Flat Washer (x2)



This Instruction Applies To The Following Modules :

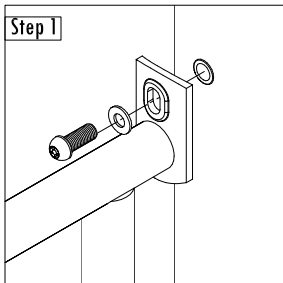
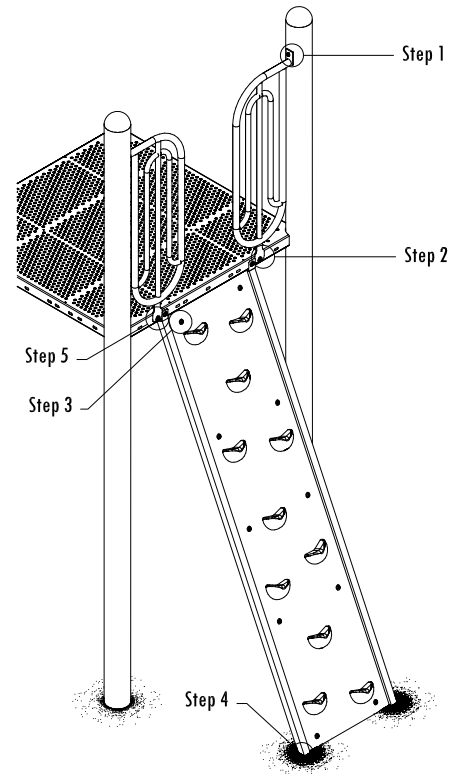
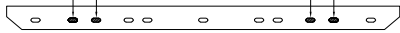
- | | | | |
|-------|---------------------|-------|---------------------|
| CB333 | Rockwall Climber 3' | CB336 | Rockwall Climber 6' |
| CB334 | Rockwall Climber 4' | CB337 | Rockwall Climber 7' |
| CB335 | Rockwall Climber 5' | | |

Parts List

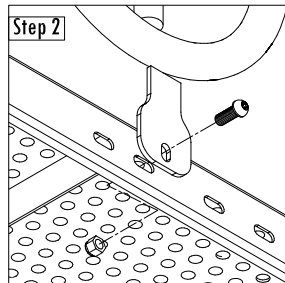
- | | | |
|-----------|----------|----------------------------------|
| 1 | | Climber Frame |
| 1 | | Rockwall Climber Sheet |
| 2 | BPN00200 | Safety Rail |
| 2 | GND00200 | Universal Ground Leg |
| 20 | 2T-0604 | Button Cap Torx w/ Pin 3/8" x 1" |
| 8 | 4L-0600 | Lock Nut w/ Nylon Locking 3/8" |
| 10 | 4S-0604 | Spenco Nut 3/8" x 1" |
| 28 | 5F-0500 | Flat Washer 5/16" |
| 10 | 5F-0800 | Flat Washer 1/2" |

* Quantities are shown for a 7' climber.

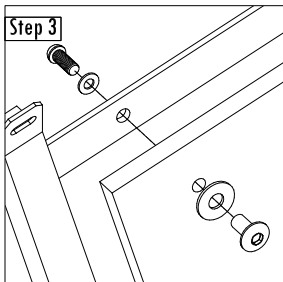
DECK HOLES USED



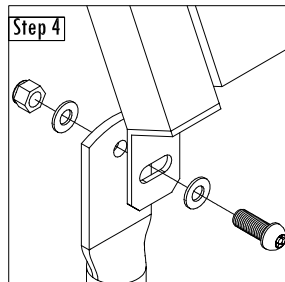
1" Button Cap Torx, Flat Washer (x2)



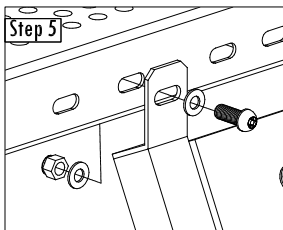
1" Button Cap Torx, Flat Washer, Lock Nut (x2)



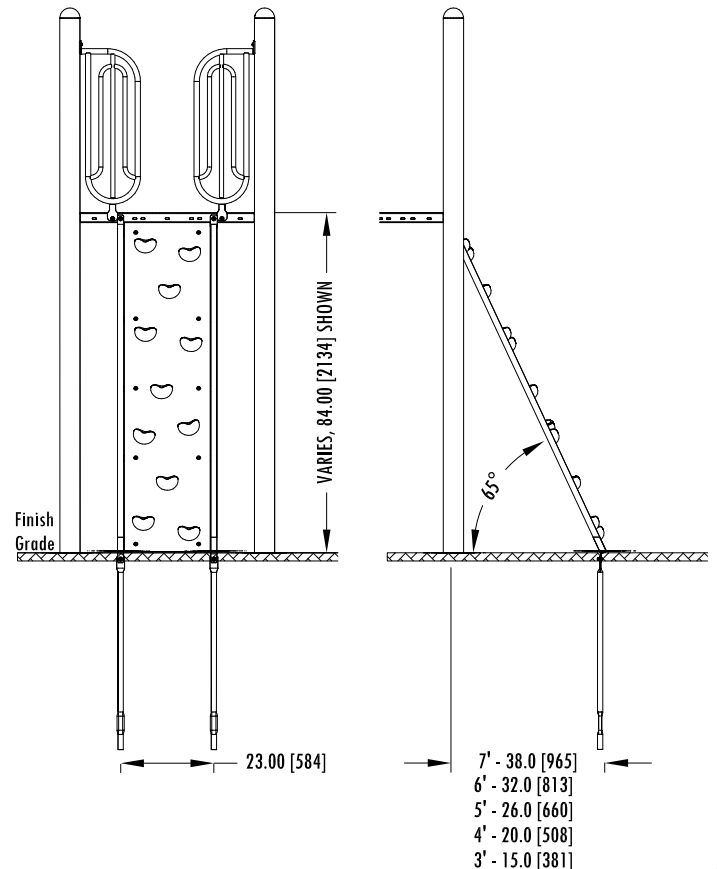
1" Torx, 5/16" Flat Washer, 1/2" Flat Washer, Spenco Nut (x10)



1" Button Cap Torx, Flat Washer, Lock Nut (x2)



1" Button Cap Torx, Flat Washer, Lock Nut (x2)
Mounted to outside face only.



OFFICE USE ONLY

PLAYSTEEL SQ
N/A

PLAYSTEEL MAX
B5-CB333-02
B5-CB334-02
B5-CB335-02
B5-CB336-02
B5-CB337-02

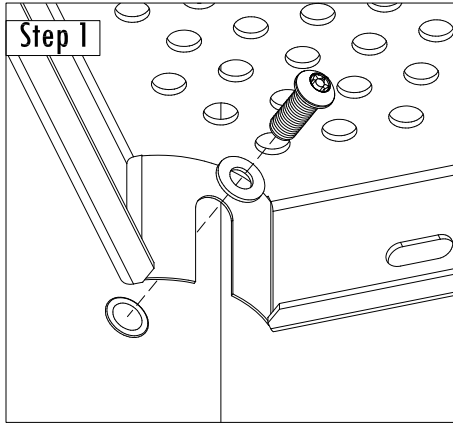
PLAYSTEEL FIT
B3-CB333-02 B4-CB333-02
B3-CB334-02 B4-CB334-02
B3-CB335-02 B4-CB335-02
B3-CB336-02 B4-CB336-02
B3-CB337-02 B4-CB337-02

ORBS
N/A

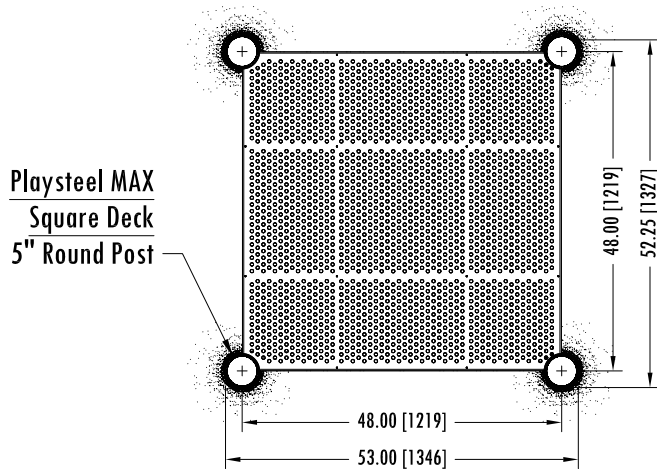
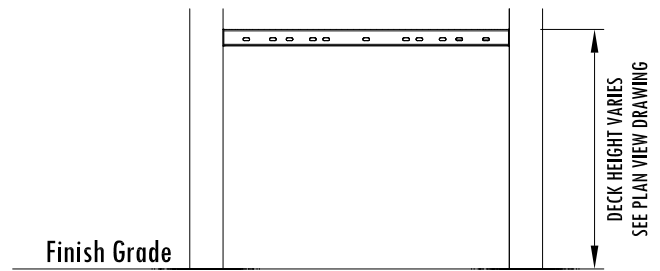
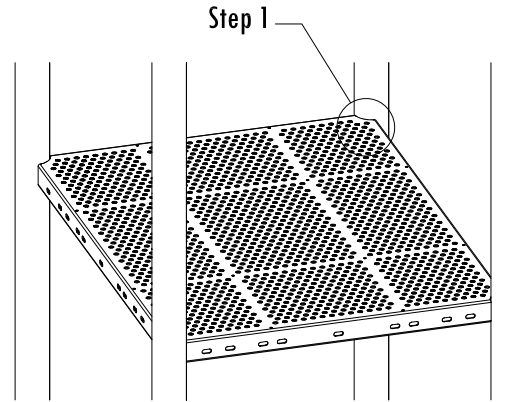
PLAYTOTS
N/A

Parts List

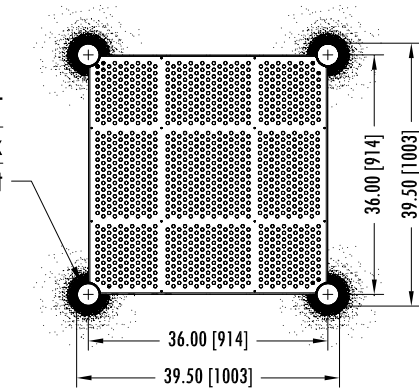
1		Deck
4	2T-0604	Button Cap Torx w/ Pin 3/8" x 1"
4	5F-0500	Flat Washer 5/16" S/S w/ 3/8" Hole



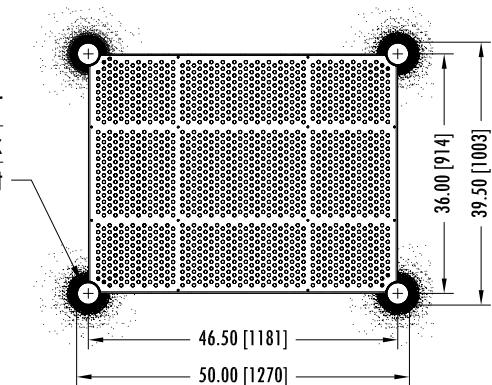
1" Button Cap, Flat Washer (x4)



Playsteel FIT
Square Deck
3.5" Round Post

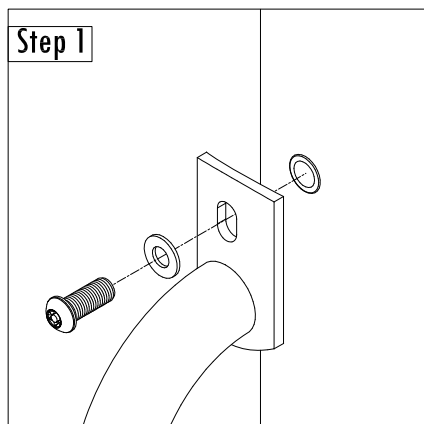


Playsteel FIT
Rectangle Deck
3.5" Round Post

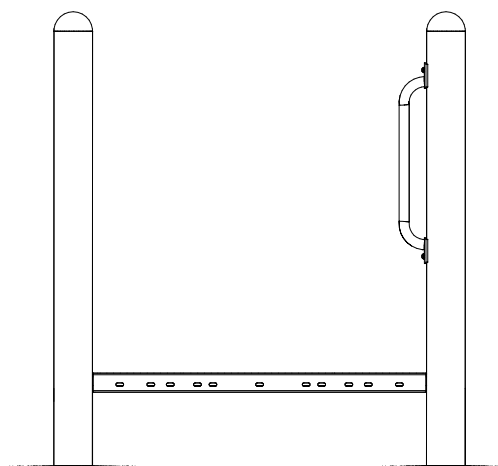
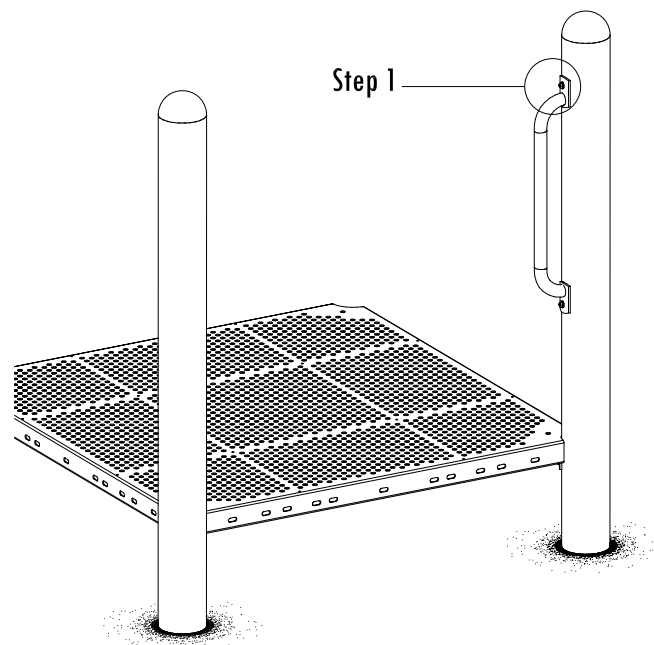


Parts List

- 1 CLM00100 Grab Bar
- 2 2T-0604 - Button Cap Torx w/ Pin 3/8" x 1"
- 2 5F-0500 - Flat Washer 5/16" S/S w/ 3/8" Hole



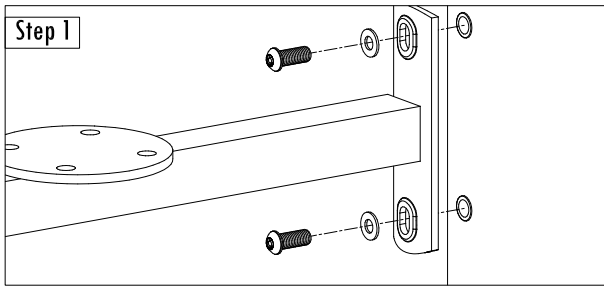
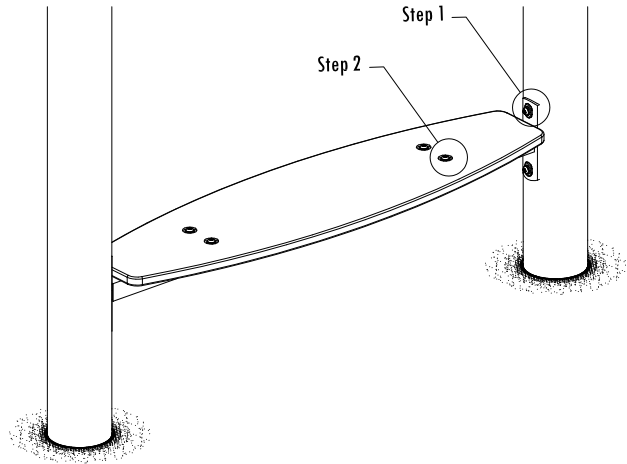
1" Button Cap, Flat Washer (x2)



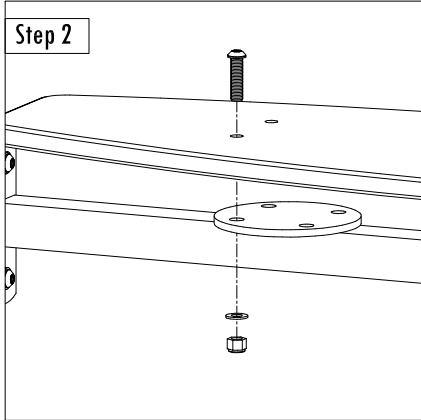
Parts List

- 1 FRM01500 Double Pod Seat Frame
- 1 SHP04100 PlaySeat Plastic

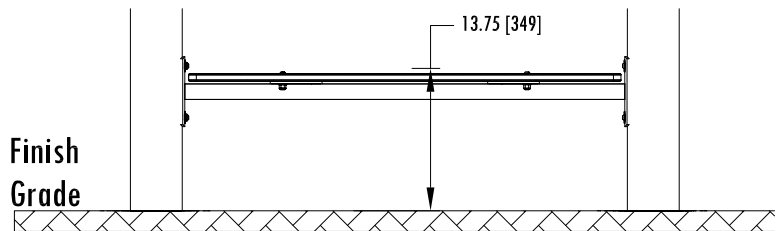
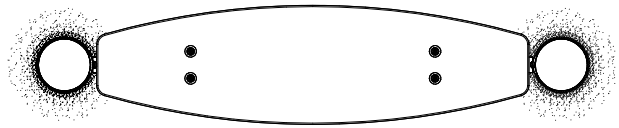
- 4 2T-0604 - Button Cap Torx w/ Pin 3/8" x 1"
- 4 2T-0606 - Button Cap Torx w/ Pin 3/8" x 1-1/2"
- 4 4L-0600 - Lock Nut w/ Nylon Locking 3/8"
- 12 5F-0500 - Flat Washer 5/16" S/S w/ 3/8" Hole



1" Button Cap, Flat Washer (x4)



1-1/2" Button Cap, Flat Washers, Lock Nut (x4)

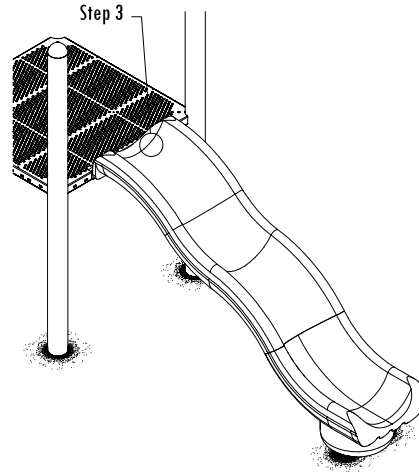


Finish
Grade

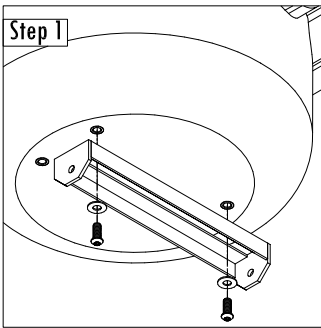
Parts List

- 1 PSL01700 4' Poly Wave Slide
- 1 GND00100 Universal Ground Leg Mount
- 2 GND00200 Universal Ground Leg

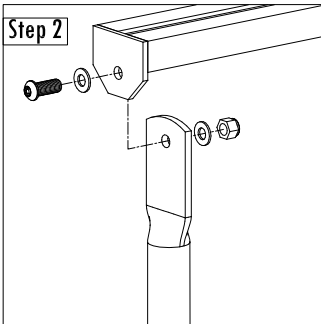
- 4 2T-0604 - Button Cap Torx w/ Pin 3/8" x 1"
- 2 2T-0608 - Button Cap Torx w/ Pin 3/8" x 2"
- 2 4L-0600 - Lock Nut w/ Nylon Locking 3/8"
- 8 5F-0500 - Flat Washer 5/16" S/S w/ 3/8" Hole



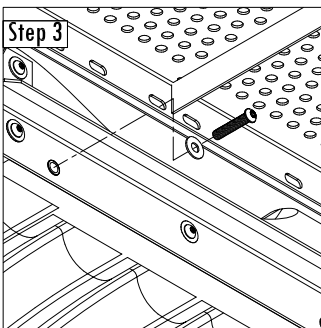
DECK HOLES USED



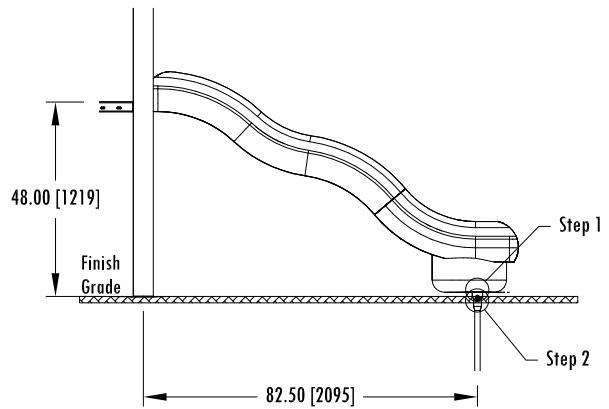
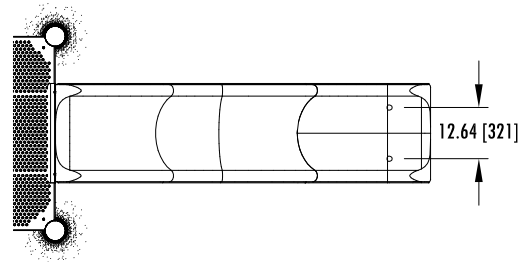
1" Button Cap Torx, Flat Washer (x2)



1" Button Cap Torx, Flat Washer, Lock Nut (x2)

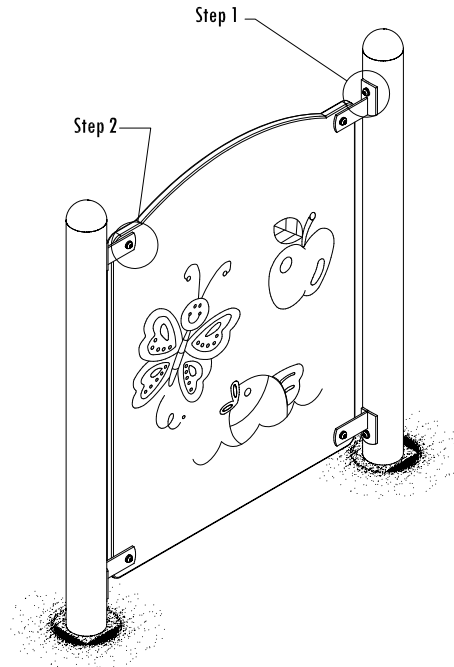
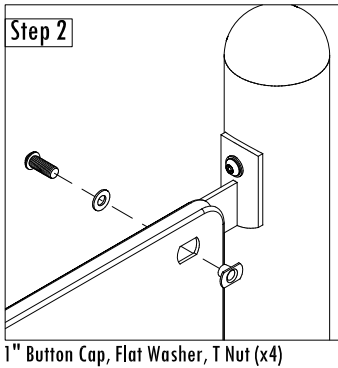
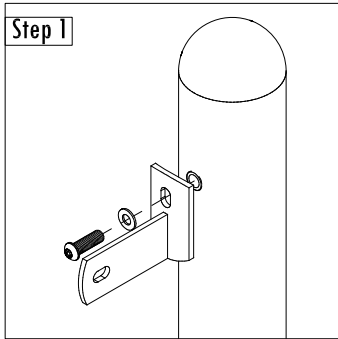
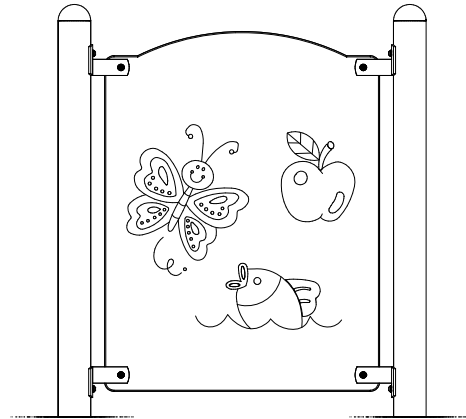


2" Button Cap Torx, Flat Washer (x2)



Parts List

- 1 Sheet Plastic Panel
- 4 BRK00400 Sheet Plastic Bracket
- 8 2T-0604 - Button Cap Torx w/ Pin 3/8" x 1"
- 4 4D-0600 - T Nut 3/8"
- 8 5F-0500 - Flat Washer 5/16" S/S w/ 3/8" Hole



OFFICE USE ONLY

12/20/2012

PLAYSTEEL FIT:

B3 MODULES	B3-AP002-01	B3-AP017-01	B3-AP036-01	B3-AP067-01	B3-AP084-01	B3-AP111-01	B3-AP129-02	B3-AP150-00	B3-AP157-00
	B3-AP004-01	B3-AP019-01	B3-AP037-01	B3-AP068-01	B3-AP086-01	B3-AP114-01	B3-AP130-02	B3-AP151-00	B3-AP163-00
	B3-AP006-01	B3-AP021-01	B3-AP058-01	B3-AP069-01	B3-AP093-00	B3-AP116-01	B3-AP132-02	B3-AP152-00	
	B3-AP010-01	B3-AP023-01	B3-AP059-01	B3-AP072-01	B3-AP096-01	B3-AP118-01	B3-AP143-01	B3-AP153-00	
	B3-AP013-01	B3-AP027-01	B3-AP062-01	B3-AP078-01	B3-AP104-01	B3-AP119-01	B3-AP145-01	B3-AP154-00	
	B3-AP015-01	B3-AP034-01	B3-AP064-01	B3-AP080-01	B3-AP108-01	B3-AP121-01	B3-AP146-01	B3-AP156-00	
B4 MODULES	B4-AP002-01	B4-AP017-01	B4-AP036-01	B4-AP067-01	B4-AP084-01	B4-AP111-01	B4-AP129-01	B4-AP146-01	B4-AP156-00
	B4-AP004-01	B4-AP019-01	B4-AP037-01	B4-AP068-01	B4-AP086-01	B4-AP114-01	B4-AP130-01	B4-AP150-00	B4-AP157-00
	B4-AP006-01	B4-AP021-01	B4-AP058-01	B4-AP069-01	B4-AP093-00	B4-AP116-01	B4-AP132-01	B4-AP151-00	B4-AP163-00
	B4-AP010-01	B4-AP023-01	B4-AP059-01	B4-AP072-01	B4-AP096-01	B4-AP118-01	B4-AP139-01	B4-AP152-00	
	B4-AP013-01	B4-AP027-01	B4-AP062-01	B4-AP078-01	B4-AP104-01	B4-AP119-01	B4-AP143-01	B4-AP153-00	
	B4-AP015-01	B4-AP034-01	B4-AP064-01	B4-AP080-01	B4-AP108-01	B4-AP121-01	B4-AP145-01	B4-AP154-00	

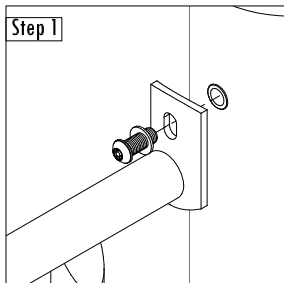
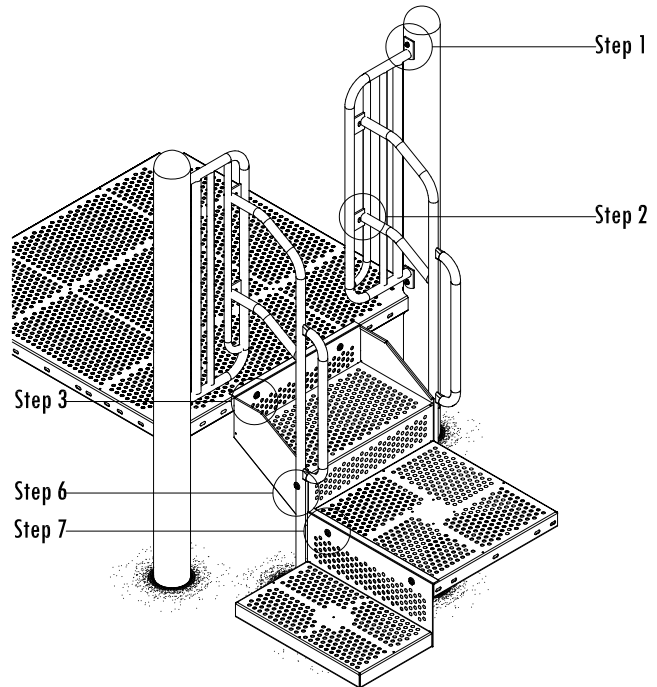
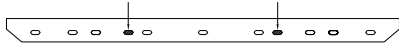
This Instruction Applies To The Following Modules :

- ST092 & ST102 - Transfer Station 2FT
- ST093 & ST103 - Transfer Station 3FT
- ST094 & ST104 - Transfer Station 4FT
- ST095 & ST105 - Transfer Station 5FT

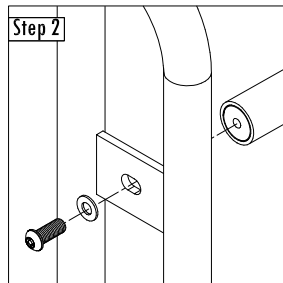
Parts List

2	GND1000	Transfer Station Ground Leg
2	HDR01300	Stair Barrier Rail- Upper 16"
2		Transfer Step Handrails
1	DCK02500	Transfer Deck
1		Accessible Stair
1	STR03500	Transfer Station Step
24	2T-0604	Button Cap Torx w/Pin 3/8" x 1"
2	2T-0608	Button Cap Torx w/Pin 3/8" x 2"
2	4L-0600	Lock Nut w/ Nylon Locking 3/8"
16	4N-0600	Locking Flange Nut 3/8"
26	5F-0500	Flat Washer 5/16" S/S w/ 3/8" Hole

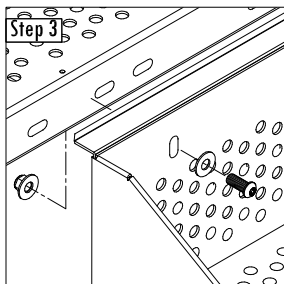
DECK HOLES USED



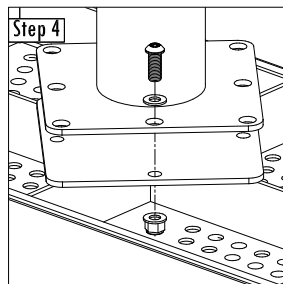
Step 1
1" Button Cap Torx, Flat Washer (x4)



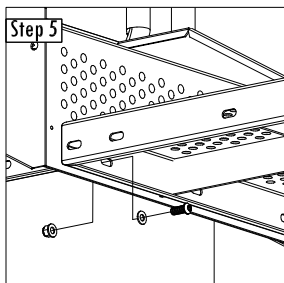
Step 2
1" Button Cap Torx, Flat Washer (x4)



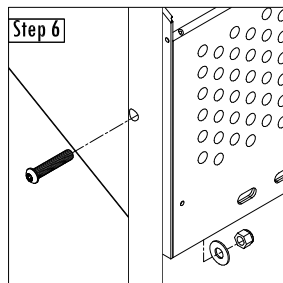
Step 3
1" Button Cap Torx, Flat Washers, Locking Flange Nut (x2)



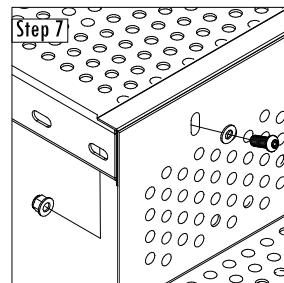
Step 4
1" Button Cap Torx, Flat Washers, Locking Flange Nut (x8)



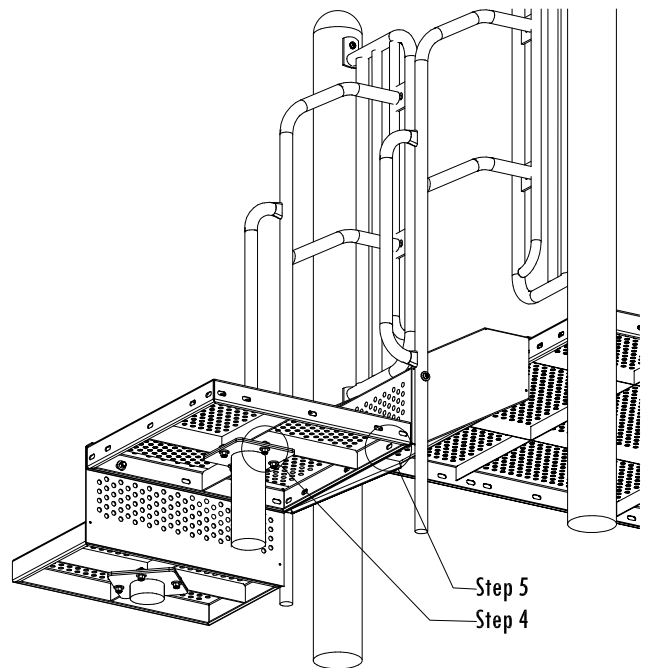
Step 5
1" Button Cap Torx, Flat Washers, Locking Flange Nut (x2)



Step 6
2" Button Cap Torx, Flat Washer, Lock Nut (x2)



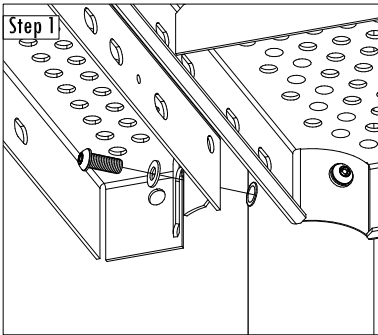
Step 7
1" Button Cap Torx, Flat Washers, Locking Flange Nut (x2)



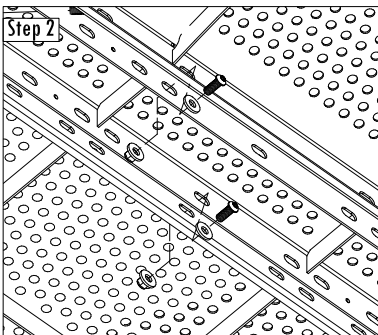
Parts List

2	1S-B3-DCK04200-00	B3 Tot Bridge Threshold
1	1S-B3-DCK04300-00	B3 Tot Bridge Decking
2	3M-B3-HDR09500-00	B3 Tot Arch Bridge Rail
26	2T-0604	Button Cap Torx w/ Pin 3/8" x 1"
14	4N-0600	Locking Flange Nut 3/8"
26	5F-0500	Flat Washer 5/16" S/S w/ 3/8" Hole

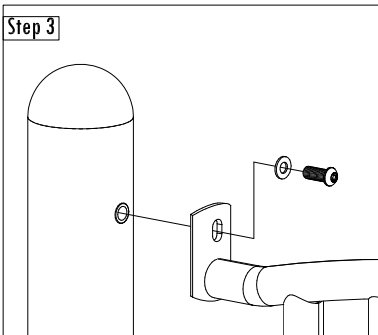
DECK HOLES USED



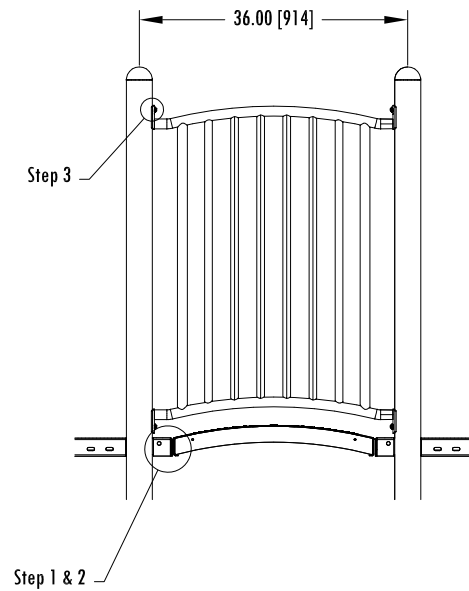
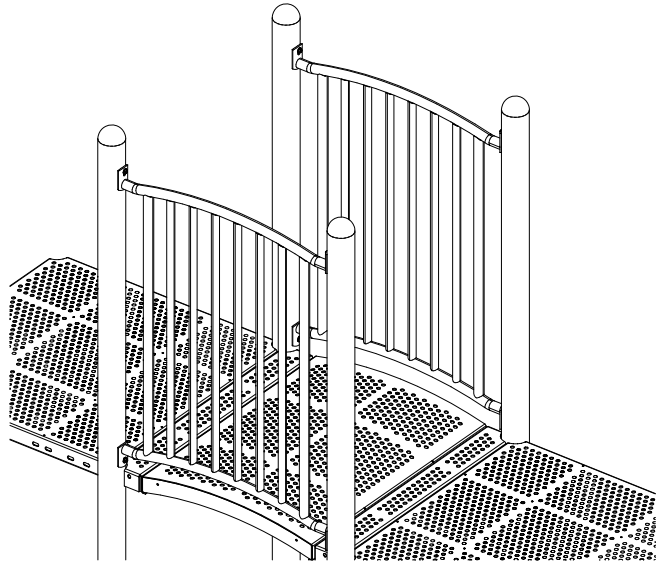
1" Button Cap, Flat Washer (x4)



1" Button Cap, Flat Washers, Locking Flange Nut (x14)



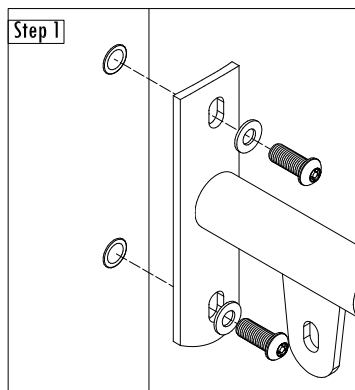
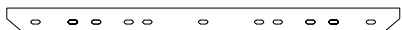
1" Button Cap, Flat Washer (x8)



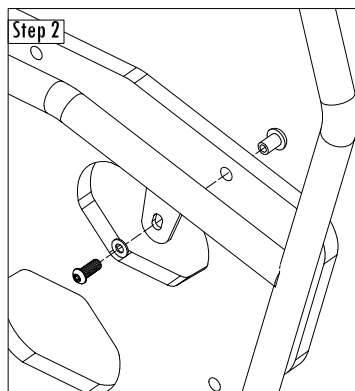
Parts List

- | | | |
|----|---------|------------------------------------|
| 1 | CLM251 | Vertical Leaf Climber Frame |
| 2 | SHP439 | Vertical Leaf Climber Plastic |
| 14 | 2T-0604 | Button Cap Torx w/ Pin 3/8" x 1" |
| 8 | 4R-0603 | Barrel Nut 3/8" x 3/4" |
| 14 | 5F-0500 | Flat Washer 5/16" S/S w/ 3/8" Hole |

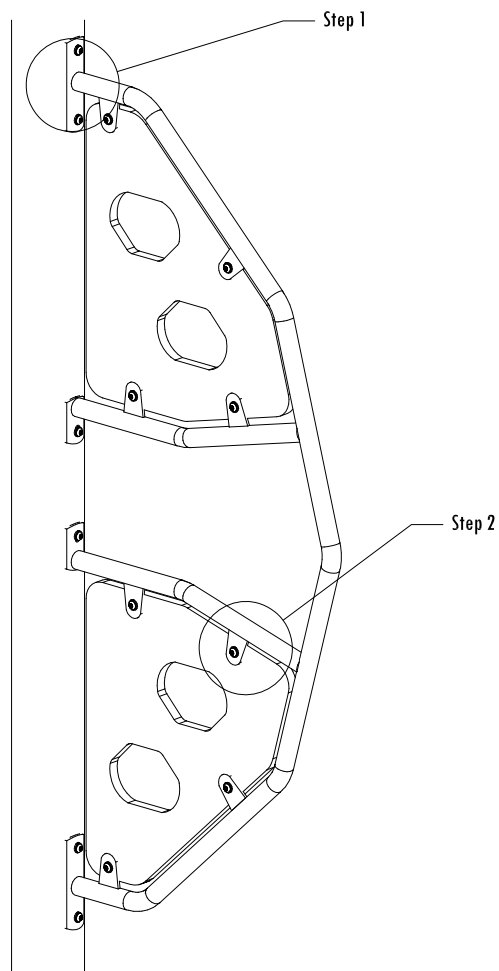
DECK HOLES USED



1" Button Cap Torx, Flat Washer (x6)



1" Button Cap Torx, Flat Washer, Barrel Nut (x8)

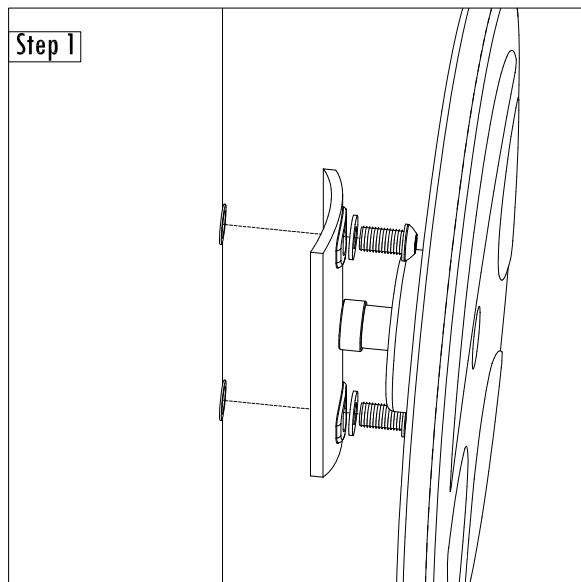
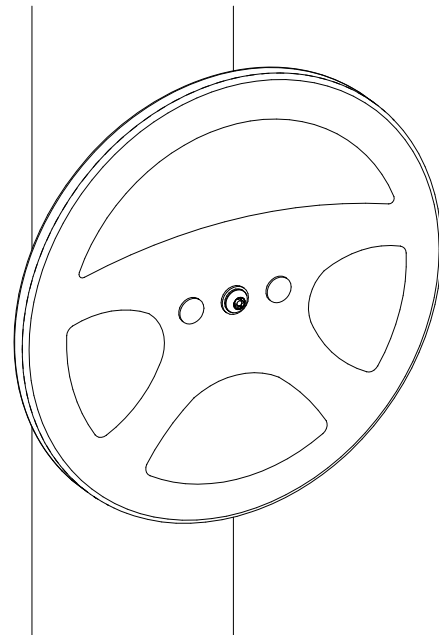


This Instruction Applies To The Following Modules :

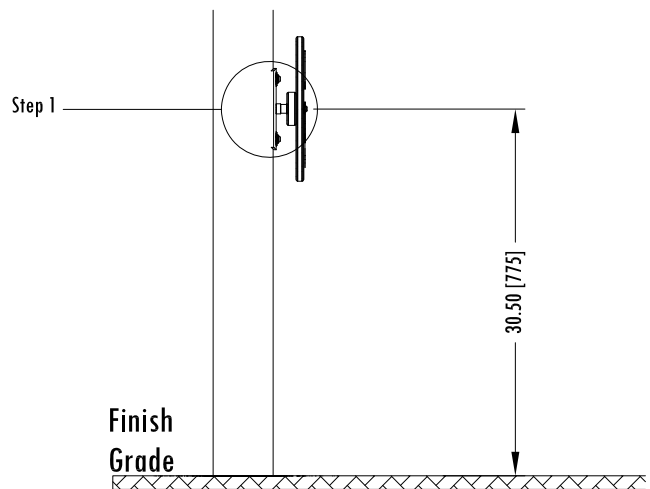
- AP158 - Balance Ball Game
- PT023 - PlayTot Ship Wheel on Post
- SC003 - Steering Wheel on Post
- SC005 - PlayShip Steering Wheel on Post
- SC027 - Maze Wheel

Parts List

- 1 Wheel with On Post Mounting Bracket
- 2 2T-0604 Button Cap Torx w/ Pin 3/8" x 1"
- 2 5F-0500 Flat Washer 5/16" with 3/8" Hole



1" Button Cap, Flat Washer (x2)

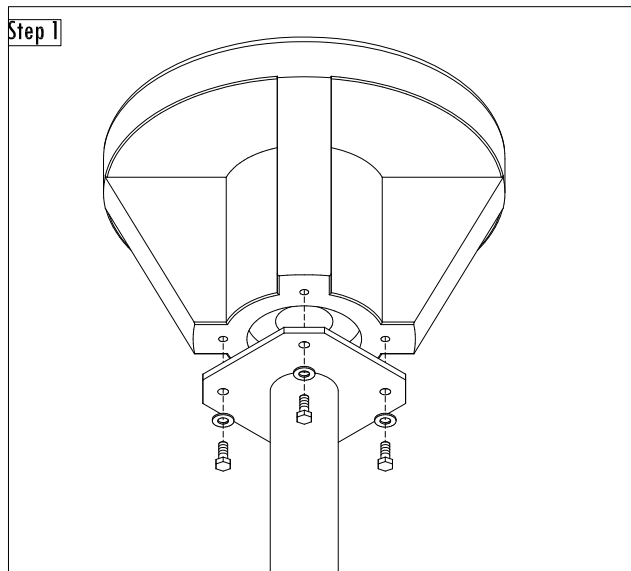
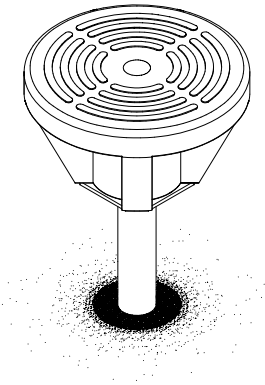


This Instruction Applies To The Following Modules :

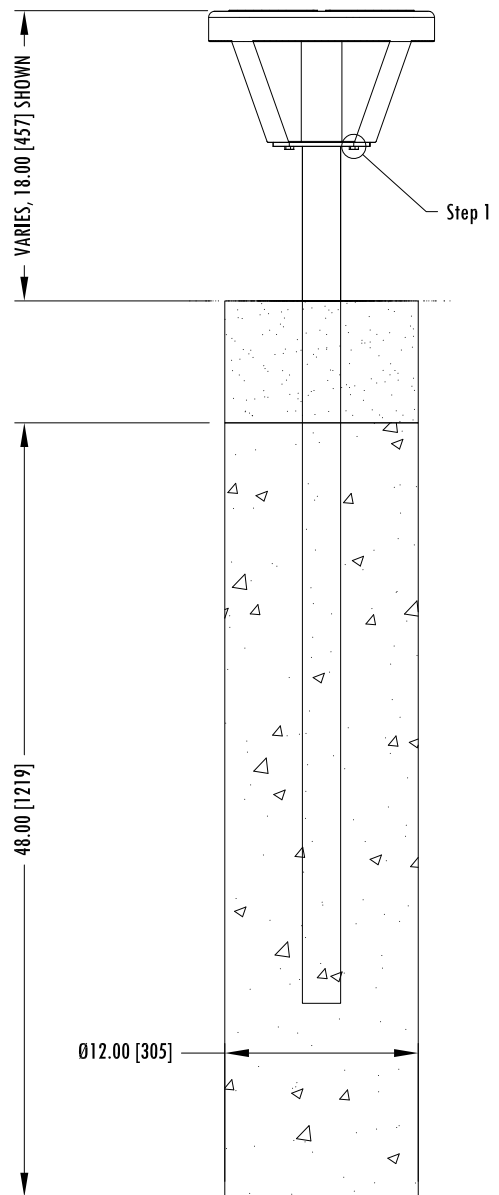
- BA012 Stepping Stone 6"
- BA013 Stepping Stone 12"
- BA014 Stepping Stone 18"
- BA017 Stepping Stone 24"
- BA018 Stepping Stone 30"

Parts List

- 1 CLAO1100 Stepping Stone
- 1 Ground Leg
- 4 1M-0504 Machine Bolt 5/16" x 1"
- 4 5F-0500 Flat Washer 5/16" S/S w/ 3/8" Hole



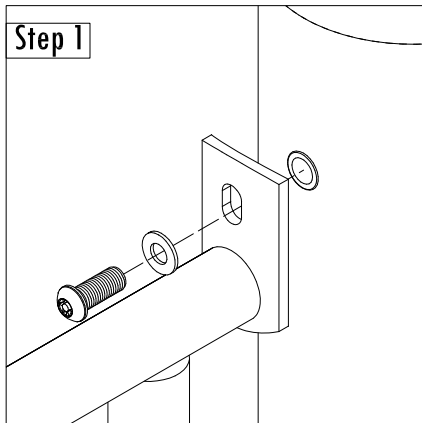
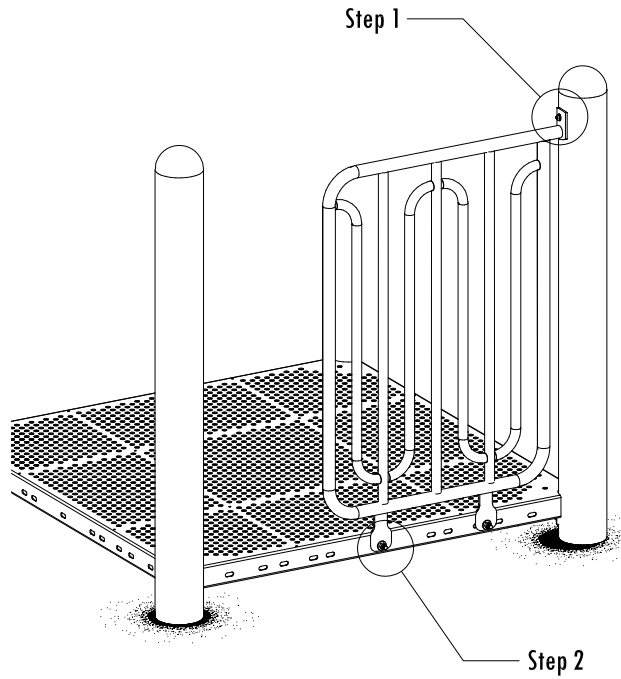
1" Machine Bolt, Flat Washer (x4)



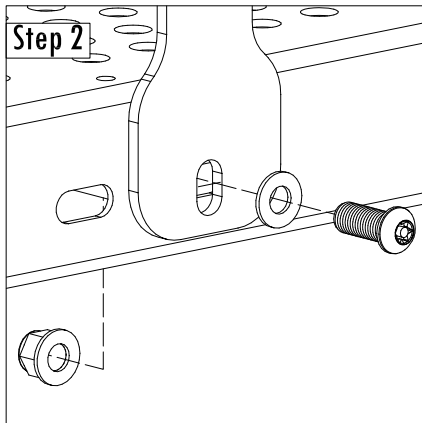
PLAYSTEEL SQ	PLAYSTEEL MAX	PLAYSTEEL FIT
P1-BA012-00	B5-BA012-00	B3-BA012-01
P1-BA013-00	B5-BA013-00	B3-BA013-01
P1-BA014-00	B5-BA014-00	B3-BA014-01
P1-BA017-00	B5-BA017-00	B3-BA017-00
P1-BA018-00	B5-BA018-00	B3-BA018-00

Parts List

- 1 BPN01200 Open Rail
- 3 2T-0604 - Button Cap Torx w/ Pin 3/8" x 1"
- 2 4N-0600 - Locking Flange Nut 3/8"
- 3 5F-0500 - Flat Washer 5/16" S/S w/ 3/8" Hole



1" Button Cap, Flat Washer (x1)

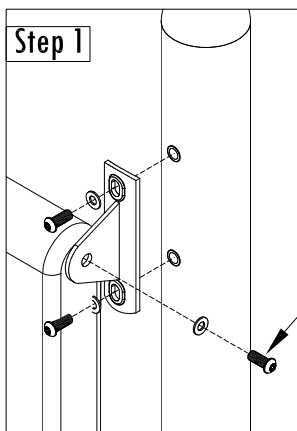
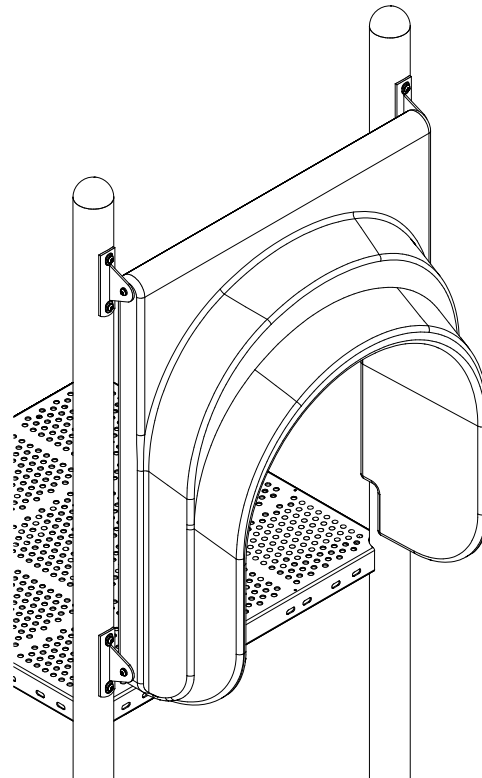


1" Button Cap, Flat Washer, Locking Flange Nut (x2)

Parts List

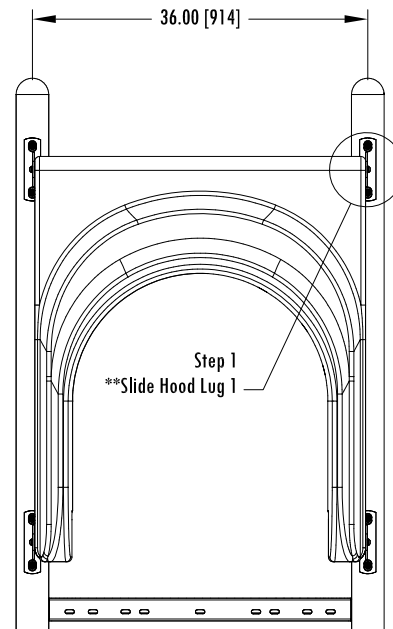
- 4 BRK12800 Slide Hood Lug 1
- 1 PPN00701 B3 Single Slide Hood

- 8 2T-0604 - Button Cap Torx w/ Pin 3/8" x 1"
- 4 2T-0606z - Button Cap Torx w/ Pin 3/8" x 1-1/2" (no locktite)
- 12 5F-0500 - Flat Washer 5/16" S/S w/ 3/8" Hole



NO LOCKTITE

1" Button Cap, Flat Washer (x8)
 1-1/2" Button Cap, Flat Washer (x4)



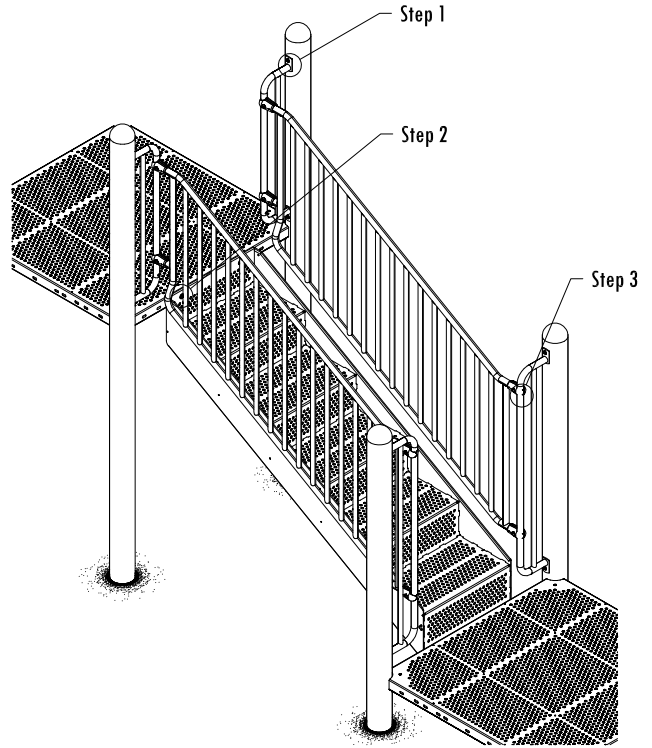
This Instruction Applies To The Following Modules :

- ST061 Accessible Step Deck 12" (1 Steps)
- ST063 Accessible Step Deck 24" (2 Steps)
- ST067 Accessible Step Deck 48" (5 Steps)
- ST068 Accessible Step Deck 48" (5 Steps)

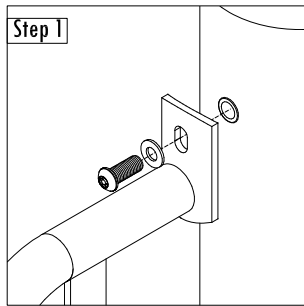
Parts List

- 2 BPN056 Accessible Step Deck Upper (37")
- 2 BPN057 Accessible Step Deck Lower (51")
- 8 CLP001 1.315" Tubing Clamp
- 2 HDR086 Accessible Step Deck Handrail
- 1 Accessible Stair

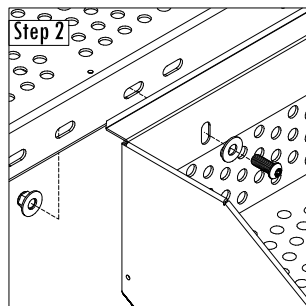
- 12 2T-0604 - Button Cap Torx w/ Pin 3/8" x 1"
- 8 2T-0610 - Button Cap Torx w/ Pin 3/8" x 1-1/2"
- 8 4L-0601 - SS Lock Nut 3/8"-16 UNC .41h-11/16W
- 4 4N-0600 - Locking Flange Nut 3/8"
- 12 5F-0500 - Flat Washer 5/16" S/S w/ 3/8" Hole



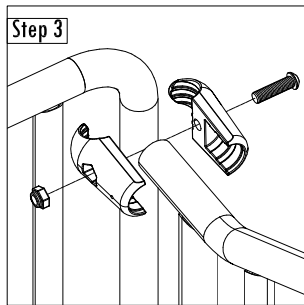
DECK HOLES USED



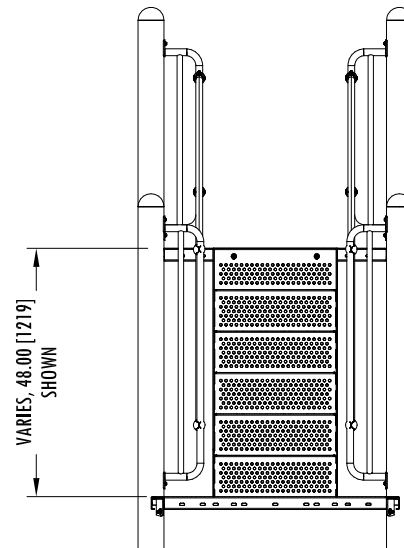
1" Button Cap, Flat Washer (x8)



1" Button Cap, Flat Washer, Locking Flange Nut (x4)



1-1/2" Button Cap Torx, Locknut (x8)

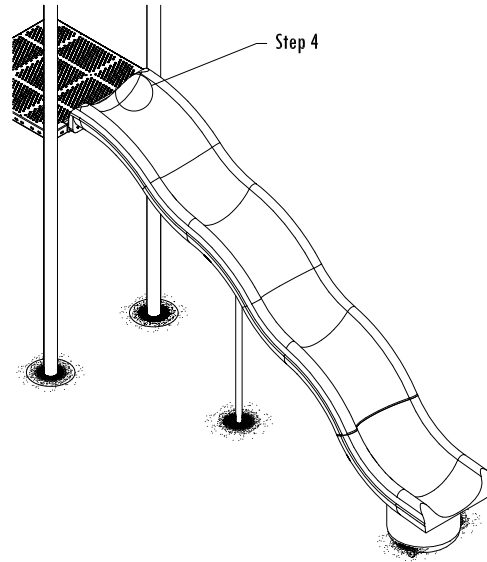


PLAYSTEEL SQ N/A	PLAYSTEEL MAX B5-ST061-03 B5-ST063-04 B5-ST067-00 B5-ST068-04	PLAYSTEEL FIT B3-ST061-05 B3-ST063-05 B3-ST067-00 B3-ST068-05	B4-ST061-05 B4-ST063-04 B4-ST067-00 B4-ST068-05	ORBIS N/A	PLAYTOTS N/A	PAGE 1 OF 1
---------------------	---	---	--	--------------	-----------------	-------------

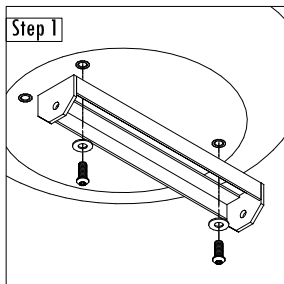
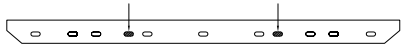
Parts List

- 1 PSL01900 6' Poly Wave Slide
- 1 GND00100 Universal Ground Leg Mount
- 2 GND00200 Universal Ground Leg
- 1 GND01500 Wave Slide Mid Support Mount
- 1 GND01600 Wave Slide Mid Support Leg

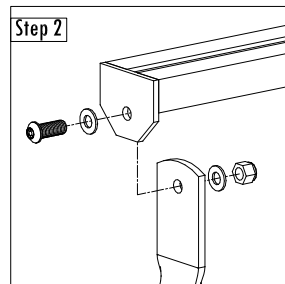
- 7 2T-0604 - Button Cap Torx w/ Pin 3/8" x 1"
- 2 2T-0608 - Button Cap Torx w/ Pin 3/8" x 2"
- 3 4L-0600 - Lock Nut w/ Nylon Locking 3/8"
- 12 5F-0500 - Flat Washer 5/16" S/S w/ 3/8" Hole



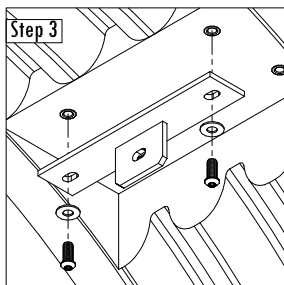
DECK HOLES USED



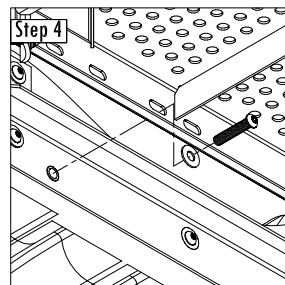
1" Button Cap Torx, Flat Washer (x2)



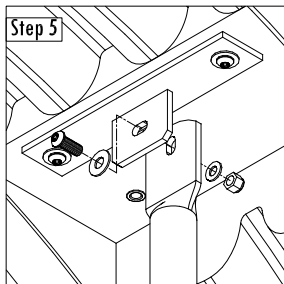
1" Button Cap Torx, Flat Washer, Lock Nut (x2)



1" Button Cap Torx, Flat Washer (x2)



2" Button Cap Torx, Flat Washer (x2)



1" Button Cap Torx, Flat Washer, Lock Nut (x1)

