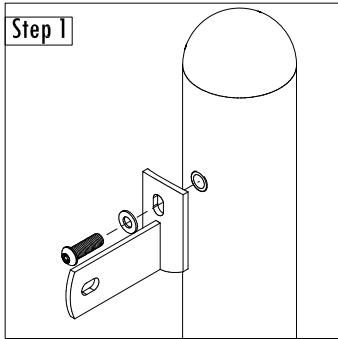
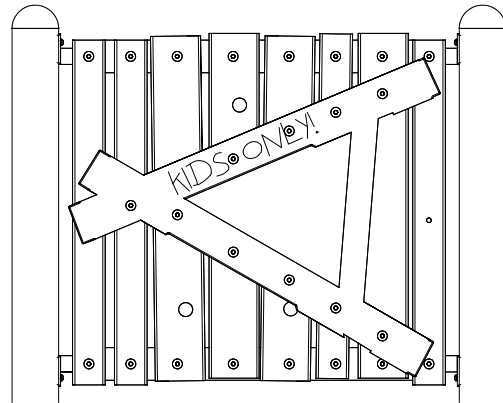


**This Instruction Applies To The Following Modules :**

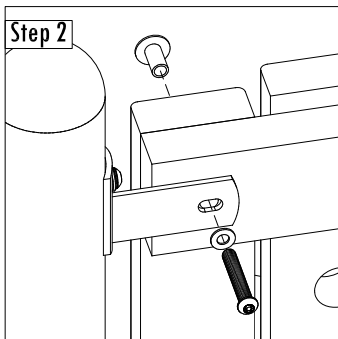
- AP091 - PlayFort Rail Panel w/ Steering Wheel
- AP171 - PlayFort Rail Panel
- AP172 - PlayFort Magnifying Panel
- AP173 - PlayFort Window Panel
- AP174 - PlayFort Entrance Panel
- AP175 - PlayFort Counter
- AP176 - PlayFort Bench Panel

**Parts List**

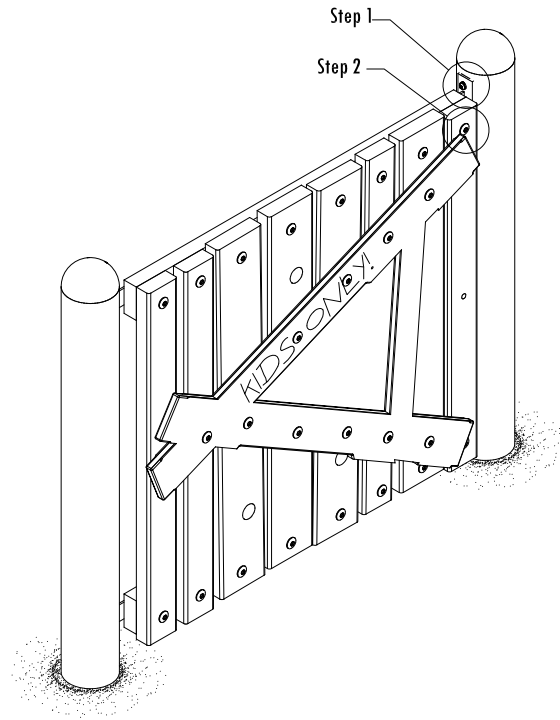
- 1 PlayFort Panel
- 4 BRK00400 Sheet Plastic Bracket
- 4 2T-0604 - Button Cap Torx w/ Pin 3/8" x 1"
- 4 5F-0500 - Flat Washer 5/16" S/S w/ 3/8" Hole



1" Button Cap, Flat Washer (x4)

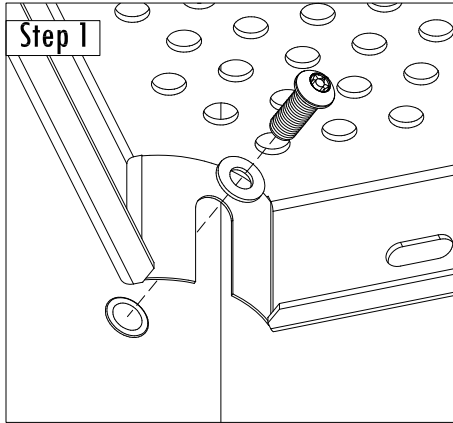


Hardware shown in this step, is the hardware used in the assembly of PlayFort panel.  
Remove the 4 corner bolts & reattach as shown.

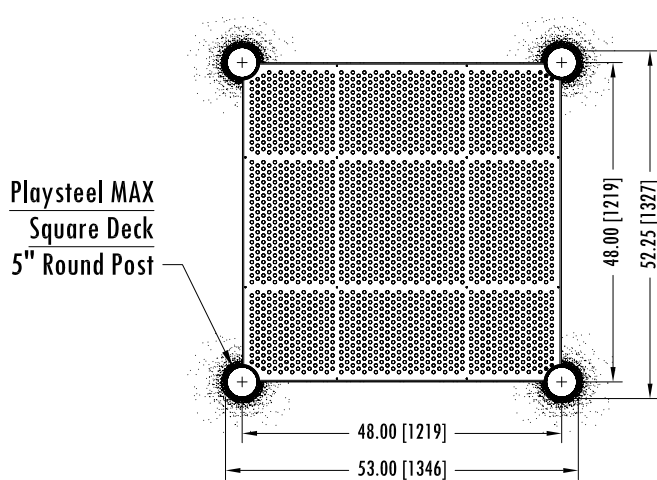
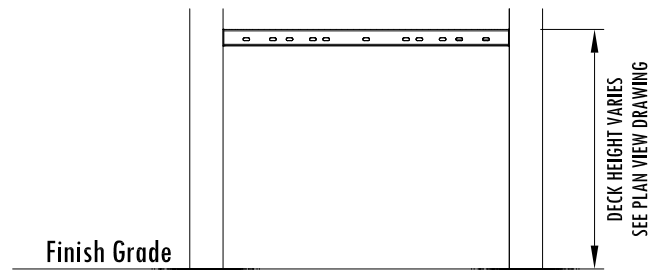
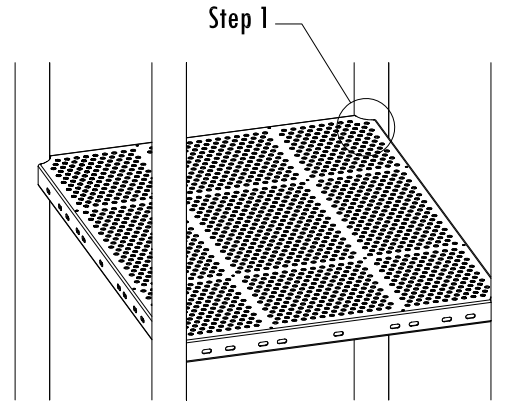


### Parts List

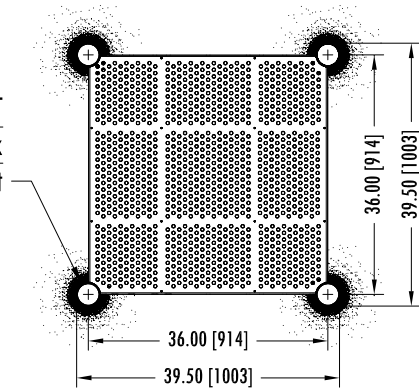
1		Deck
4	2T-0604	Button Cap Torx w/ Pin 3/8" x 1"
4	5F-0500	Flat Washer 5/16" S/S w/ 3/8" Hole



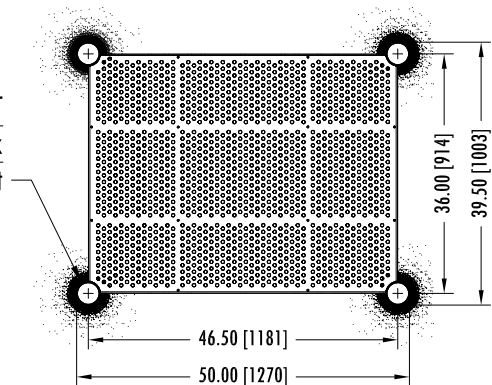
1" Button Cap, Flat Washer (x4)



Playsteel FIT  
Square Deck  
3.5" Round Post

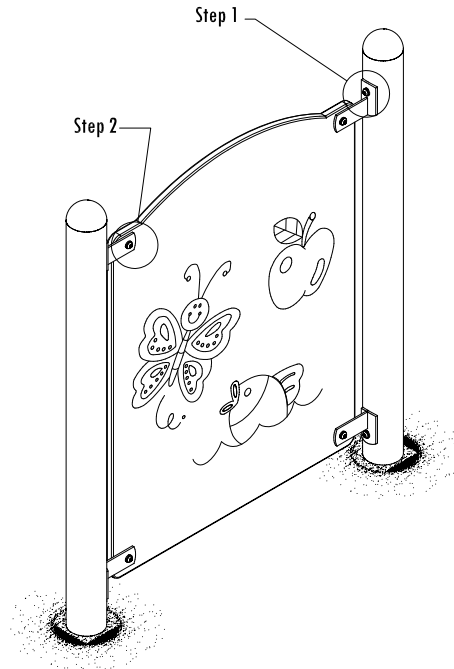
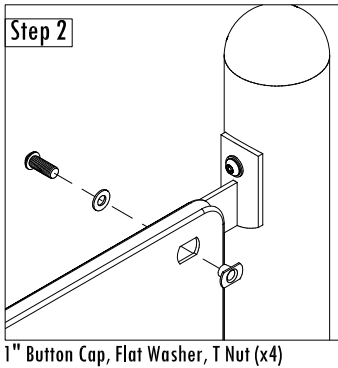
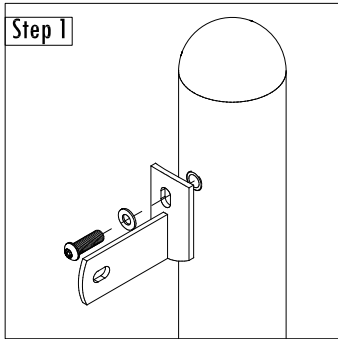
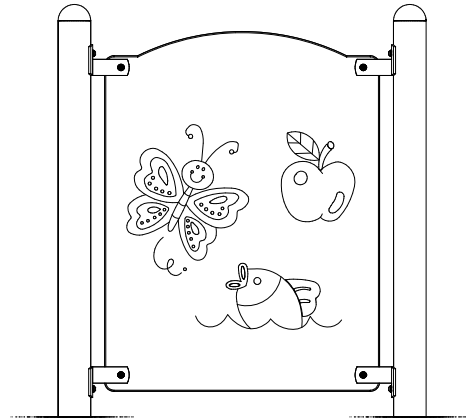


Playsteel FIT  
Rectangle Deck  
3.5" Round Post



### Parts List

- 1 Sheet Plastic Panel
- 4 BRK00400 Sheet Plastic Bracket
- 8 2T-0604 - Button Cap Torx w/ Pin 3/8" x 1"
- 4 4D-0600 - T Nut 3/8"
- 8 5F-0500 - Flat Washer 5/16" S/S w/ 3/8" Hole



OFFICE USE ONLY

12/20/2012

**PLAYSTEEL FIT:**

B3 MODULES	B3-AP002-01	B3-AP017-01	B3-AP036-01	B3-AP067-01	B3-AP084-01	B3-AP111-01	B3-AP129-02	B3-AP150-00	B3-AP157-00
	B3-AP004-01	B3-AP019-01	B3-AP037-01	B3-AP068-01	B3-AP086-01	B3-AP114-01	B3-AP130-02	B3-AP151-00	B3-AP163-00
	B3-AP006-01	B3-AP021-01	B3-AP058-01	B3-AP069-01	B3-AP093-00	B3-AP116-01	B3-AP132-02	B3-AP152-00	
	B3-AP010-01	B3-AP023-01	B3-AP059-01	B3-AP072-01	B3-AP096-01	B3-AP118-01	B3-AP143-01	B3-AP153-00	
	B3-AP013-01	B3-AP027-01	B3-AP062-01	B3-AP078-01	B3-AP104-01	B3-AP119-01	B3-AP145-01	B3-AP154-00	
	B3-AP015-01	B3-AP034-01	B3-AP064-01	B3-AP080-01	B3-AP108-01	B3-AP121-01	B3-AP146-01	B3-AP156-00	
	B4-AP002-01	B4-AP017-01	B4-AP036-01	B4-AP067-01	B4-AP084-01	B4-AP111-01	B4-AP129-01	B4-AP146-01	B4-AP156-00
	B4-AP004-01	B4-AP019-01	B4-AP037-01	B4-AP068-01	B4-AP086-01	B4-AP114-01	B4-AP130-01	B4-AP150-00	B4-AP157-00
B4-AP006-01	B4-AP021-01	B4-AP058-01	B4-AP069-01	B4-AP093-00	B4-AP116-01	B4-AP132-01	B4-AP151-00	B4-AP163-00	
B4-AP010-01	B4-AP023-01	B4-AP059-01	B4-AP072-01	B4-AP096-01	B4-AP118-01	B4-AP139-01	B4-AP152-00		
B4-AP013-01	B4-AP027-01	B4-AP062-01	B4-AP078-01	B4-AP104-01	B4-AP119-01	B4-AP143-01	B4-AP153-00		
B4-AP015-01	B4-AP034-01	B4-AP064-01	B4-AP080-01	B4-AP108-01	B4-AP121-01	B4-AP145-01	B4-AP154-00		

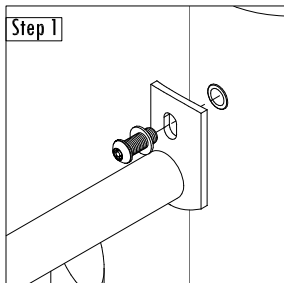
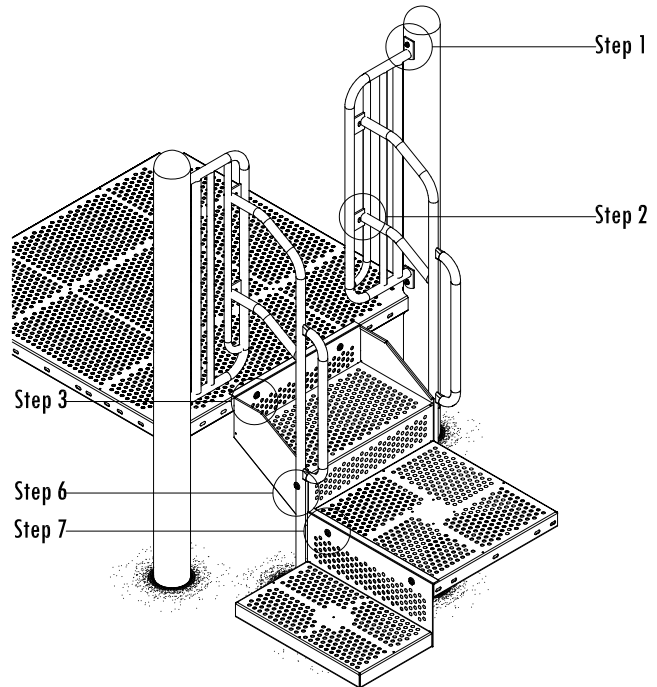
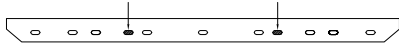
**This Instruction Applies To The Following Modules :**

- ST092 & ST102 - Transfer Station 2FT
- ST093 & ST103 - Transfer Station 3FT
- ST094 & ST104 - Transfer Station 4FT
- ST095 & ST105 - Transfer Station 5FT

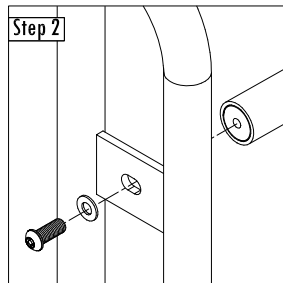
**Parts List**

<b>2</b>	<b>GND1000</b>	Transfer Station Ground Leg
<b>2</b>	<b>HDR01300</b>	Stair Barrier Rail- Upper 16"
<b>2</b>		Transfer Step Handrails
<b>1</b>	<b>DCK02500</b>	Transfer Deck
<b>1</b>		Accessible Stair
<b>1</b>	<b>STR03500</b>	Transfer Station Step
<b>24</b>	<b>2T-0604</b>	Button Cap Torx w/Pin 3/8" x 1"
<b>2</b>	<b>2T-0608</b>	Button Cap Torx w/Pin 3/8" x 2"
<b>2</b>	<b>4L-0600</b>	Lock Nut w/ Nylon Locking 3/8"
<b>16</b>	<b>4N-0600</b>	Locking Flange Nut 3/8"
<b>26</b>	<b>5F-0500</b>	Flat Washer 5/16" S/S w/ 3/8" Hole

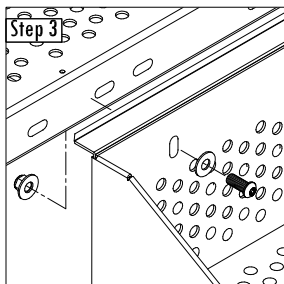
**DECK HOLES USED**



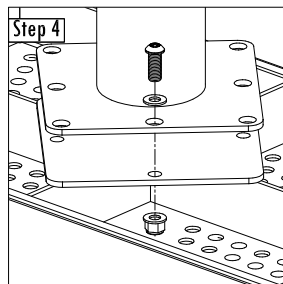
Step 1  
1" Button Cap Torx, Flat Washer (x4)



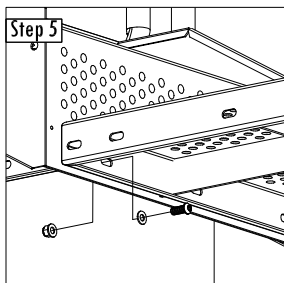
Step 2  
1" Button Cap Torx, Flat Washer (x4)



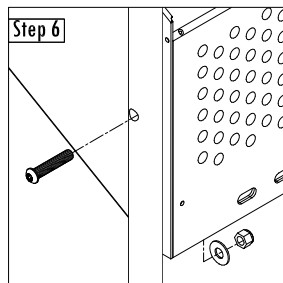
Step 3  
1" Button Cap Torx, Flat Washers, Locking Flange Nut (x2)



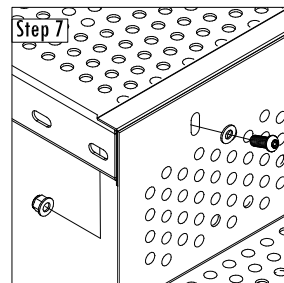
Step 4  
1" Button Cap Torx, Flat Washers, Locking Flange Nut (x8)



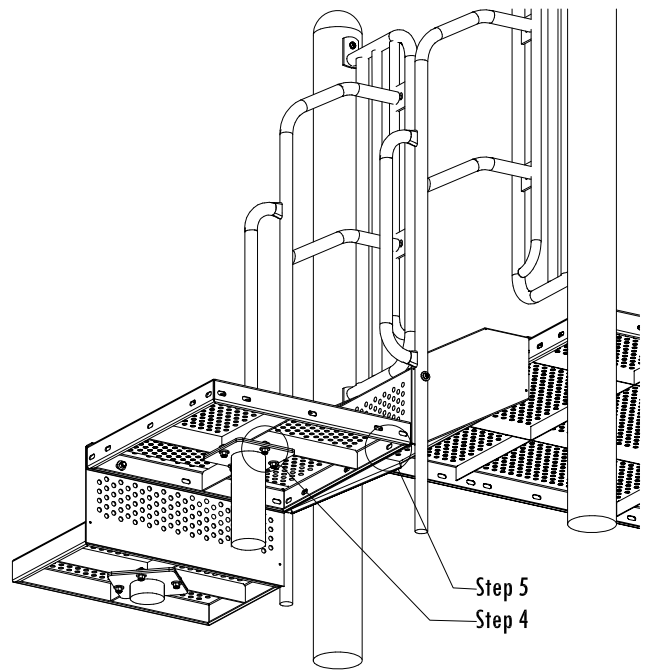
Step 5  
1" Button Cap Torx, Flat Washers, Locking Flange Nut (x2)



Step 6  
2" Button Cap Torx, Flat Washer, Lock Nut (x2)



Step 7  
1" Button Cap Torx, Flat Washers, Locking Flange Nut (x2)



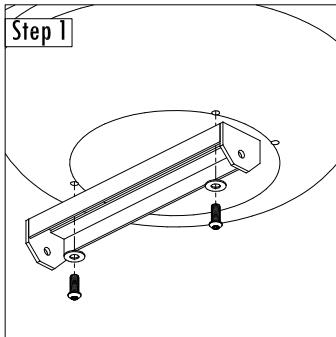
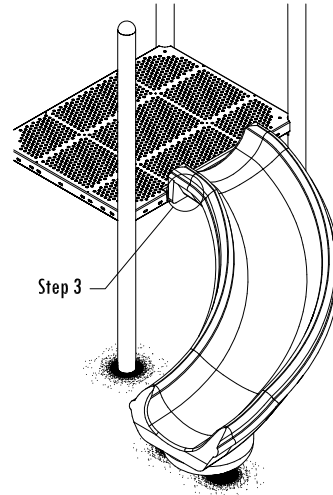
**This Instruction Applies To The Following Modules :**

- SL173 Poly Twister Slide 3'
- SL174 Poly Twister Slide 4'

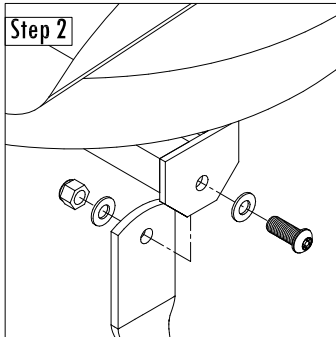
**Parts List**

- 1 Twister Poly Slide
- 1 GND00100 Universal Ground Leg Mount
- 2 GND00200 Universal Ground Leg
- 4 2T-0604 - Button Cap Torx w/ Pin 3/8" x 1"
- 2 2T-0608 - Button Cap Torx w/ Pin 3/8" x 2"
- 2 4L-0600 - Lock Nut w/ Nylon Locking 3/8"
- 8 5F-0500 - Flat Washer 5/16" S/S w/ 3/8" Hole

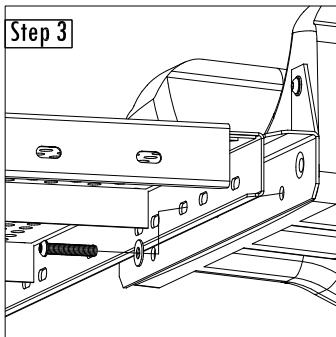
**DECK HOLES USED**



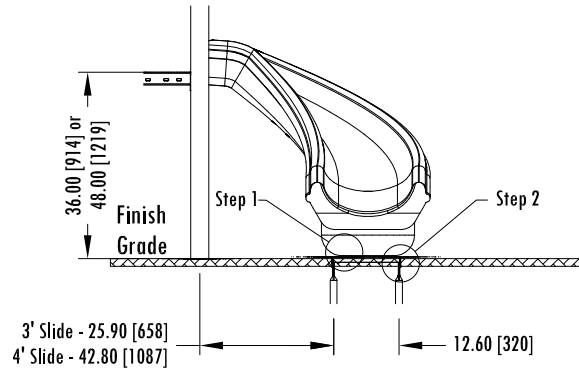
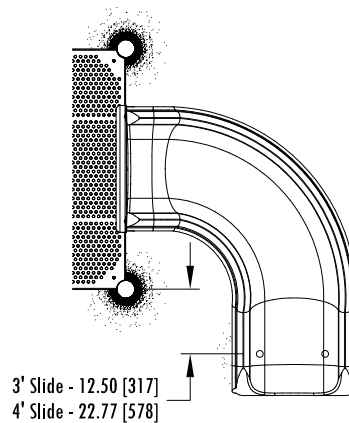
1" Button Cap Torx, Flat Washer (x2)



1" Button Cap Torx, Flat Washers, Lock Nut (x2)

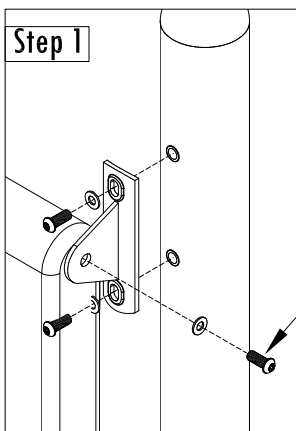
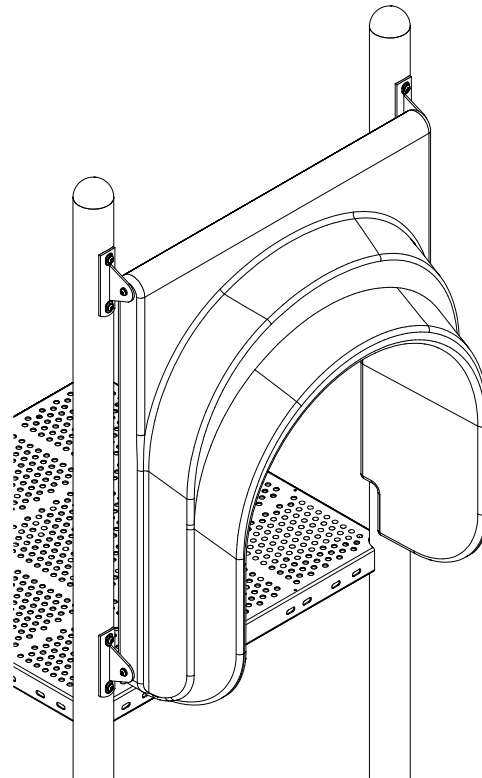


2" Button Cap Torx, Flat Washer (x2)



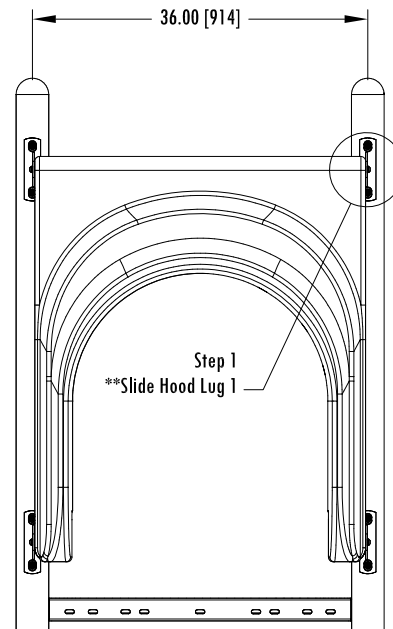
### Parts List

- 4 BRK12800 Slide Hood Lug 1
- 1 PPN00701 B3 Single Slide Hood
  
- 8 2T-0604 - Button Cap Torx w/ Pin 3/8" x 1"
- 4 2T-0606z - Button Cap Torx w/ Pin 3/8" x 1-1/2" (no locktite)
- 12 5F-0500 - Flat Washer 5/16" S/S w/ 3/8" Hole



NO LOCKTITE

- 1" Button Cap, Flat Washer (x8)
- 1-1/2" Button Cap, Flat Washer (x4)



**This Instruction Applies To The Following Modules :**

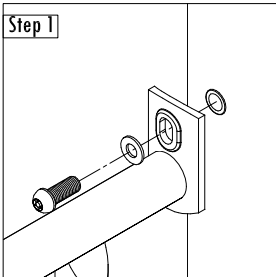
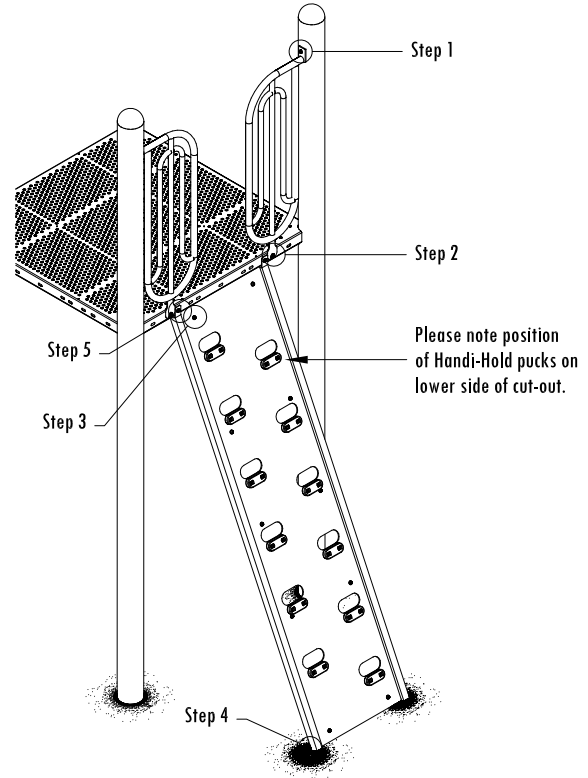
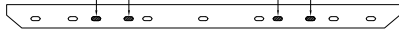
- CB063 Handi-Hold Climber 3'
- CB064 Handi-Hold Climber 4'
- CB065 Handi-Hold Climber 5'
- CB066 Handi-Hold Climber 6'
- CB067 Handi-Hold Climber 7'

**Parts List**

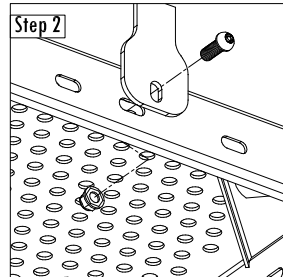
<b>1</b>		Climber Frame
<b>1</b>		Handi-Hold Climber Plastic Sheet
<b>2</b>	BPN00200	Safety Rail
<b>2</b>	GND00200	Universal Ground Leg
<b>20</b>	2T-0604	Button Cap Torx w/ Pin 3/8" x 1"
<b>8</b>	4L-0600	Lock Nut w/ Nylon Locking 3/8"
<b>10</b>	4S-0604	Spenco Nut 3/8" x 1"
<b>28</b>	5F-0500	Flat Washer 5/16"
<b>10</b>	5F-0800	Flat Washer 1/2"

\* Quantities are shown for a 7' climber.

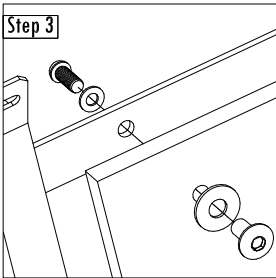
**DECK HOLES USED**



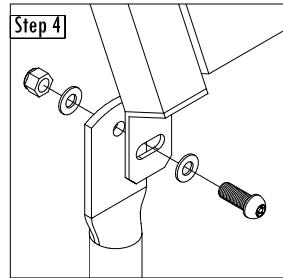
1" Button Cap Torx, Flat Washer (x2)



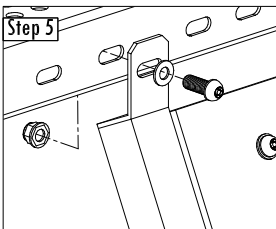
1" Button Cap Torx, Flat Washer, Locking Flange Nut (x2)



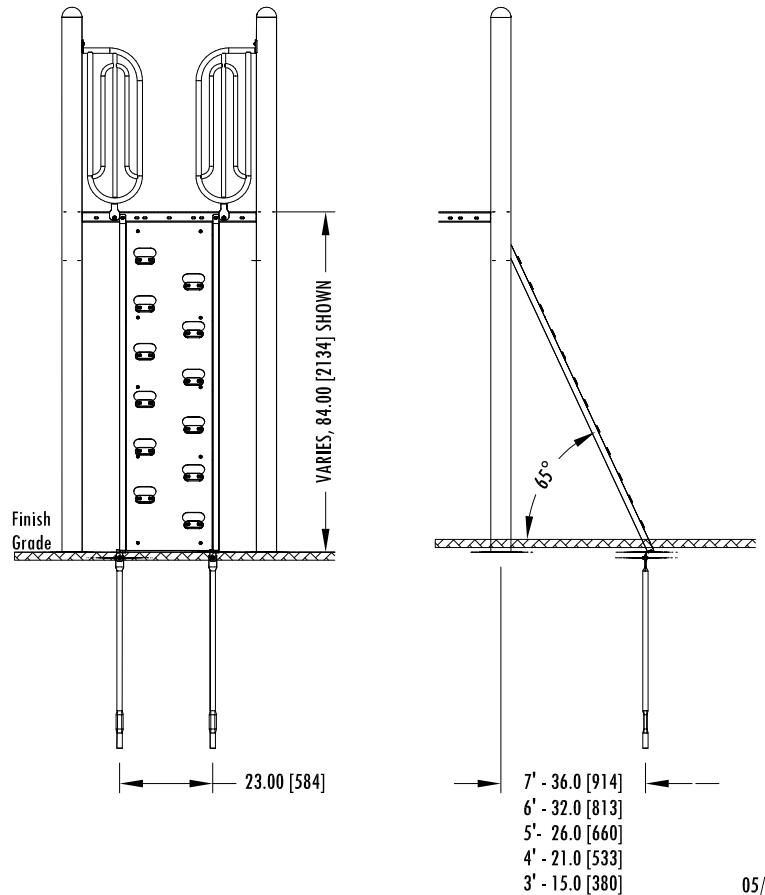
1" Torx, 5/16" Flat Washer, 1/2" Flat Washer, Spenco Nut (x10)



1" Button Cap Torx, Flat Washer, Lock Nut (x2)



1" Button Cap Torx, Flat Washer, Locking Flange Nut (x2)  
Mounted to outside face only.



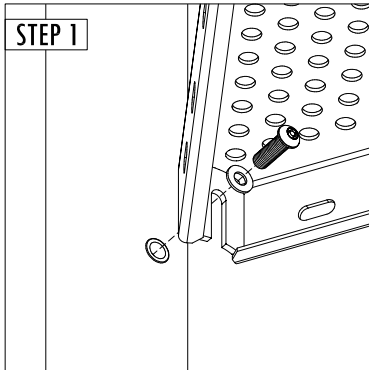
**OFFICE USE ONLY**

PLAYSTEEL SQ N/A	PLAYSTEEL MAX B5-CB063-02 B5-CB064-02 B5-CB065-02 B5-CB066-02 B5-CB067-01	PLAYSTEEL FIT B3-CB063-02 B3-CB064-02 B3-CB065-02 B3-CB066-02 B3-CB067-01	B4-CB063-02 B4-CB064-02 B4-CB065-02 B4-CB066-02 B4-CB067-01	ORBIS N/A	PLAYTOTS N/A	PAGE 1 OF 1
---------------------	--	--	---	--------------	-----------------	-------------

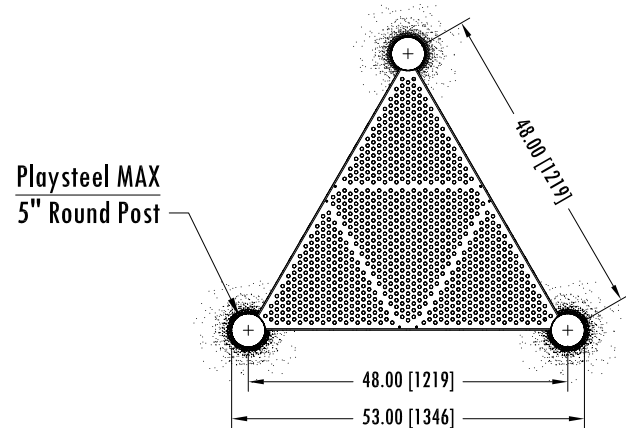
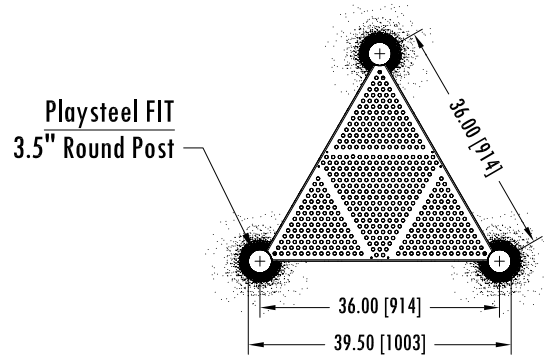
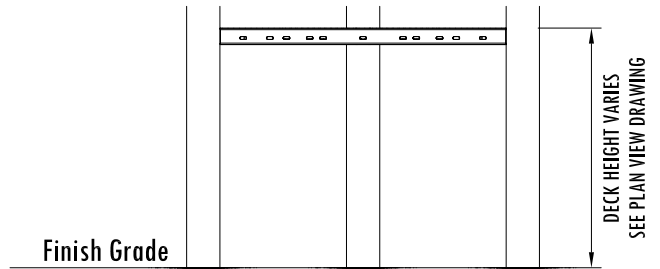
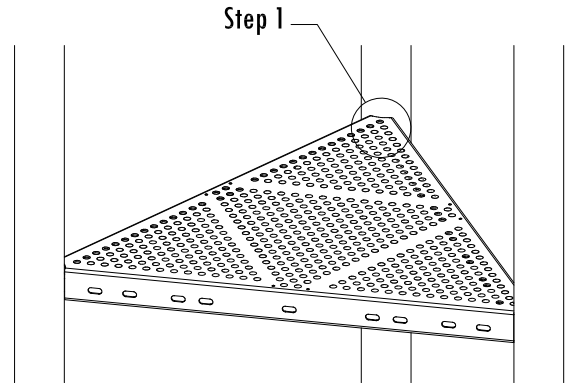


### Parts List

1	DCK01900	Triangle Deck
3	2T-0604	Button Cap Torx w/ Pin 3/8" x 1"
3	5F-0500	Flat Washer 5/16"



1" Button Cap, Flat Washer (x3)





### This Instruction Applies To The Following Modules :

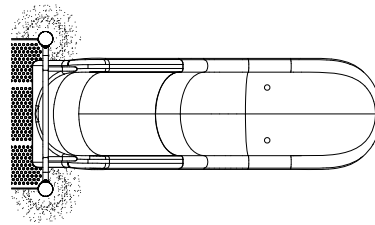
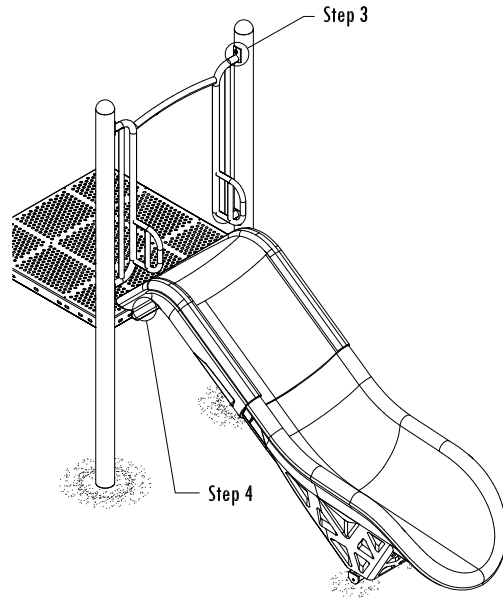
- |  |   |
|--|---|
| SL263 Open Starglide Slide Straight 3'   | SL286 Open Starglide Slide Veer Left 6'   |
| SL264 Open Starglide Slide Straight 4'   | SL287 Open Starglide Slide Veer Left 7'   |
| SL265 Open Starglide Slide Straight 5'   | SL288 Open Starglide Slide Veer Left 8'   |
| SL266 Open Starglide Slide Straight 6'   | SL297 Open Starglide Slide Turn Right 7'  |
| SL267 Open Starglide Slide Straight 7'   | SL298 Open Starglide Slide Turn Right 8'  |
| SL268 Open Starglide Slide Straight 8'   | SL307 Open Starglide Slide Turn Left 7'   |
| SL275 Open Starglide Slide Veer Right 5' | SL308 Open Starglide Slide Turn Left 8'   |
| SL276 Open Starglide Slide Veer Right 6' | SL317 Open Starglide Slide Snake Right 7' |
| SL277 Open Starglide Slide Veer Right 7' | SL318 Open Starglide Slide Snake Right 8' |
| SL278 Open Starglide Slide Veer Right 8' | SL327 Open Starglide Slide Snake Left 7'  |
| SL285 Open Starglide Slide Veer Left 5'  | SL328 Open Starglide Slide Snake Left 8'  |

### Parts List

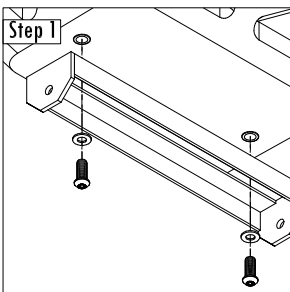
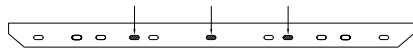
- 1 Open Stargate Slide Assembly
  - 1 1M-P1-GND00100-00 Universal Ground Leg Mount
  - 2 1M-P1-GND00200-00 Universal Ground Leg
  - 1 1M-B3-BPN06000-00 Open Starglide Entry Rail
  - 1\* 1S-P1-GND02500-00 Starglide Support Leg (6' or higher slides)
- \*Quantity specified on Starglide Sectional Slide configuration diagram.

- 6 2T-0604 - Button Cap Torx w/ Pin 3/8" x 1"
- 3 2T-0606 - Button Cap Torx w/ Pin 3/8" x 1-1/2"
- 2 4L-0600 - Lock Nut w/ Nylon Locking 3/8"
- 14 5F-0500 - Flat Washer 5/16" S/S w/ 3/8" Hole

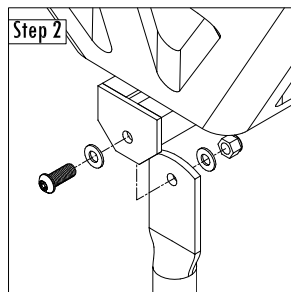
For slides shipped in sections, assemble with (5) 3/8" x 3-1/2" Torx, flatwashers, 1/2" flatwasher and spenco nuts.



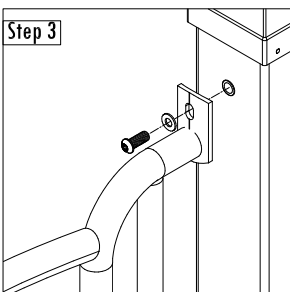
### DECK HOLES USED



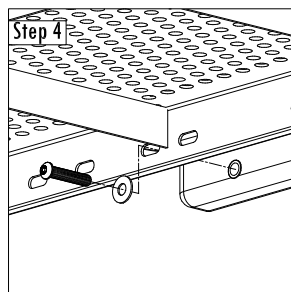
1" Button Cap Torx, Flat Washer (x2)



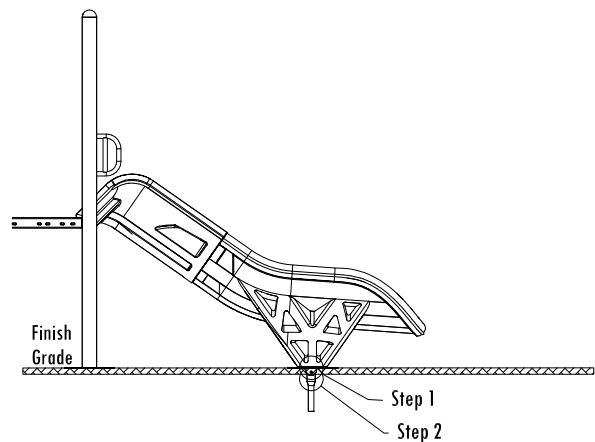
1" Button Cap Torx, Flat Washer, Lock Nut (x2)



1" Button Cap Torx, Flat Washer (x4)

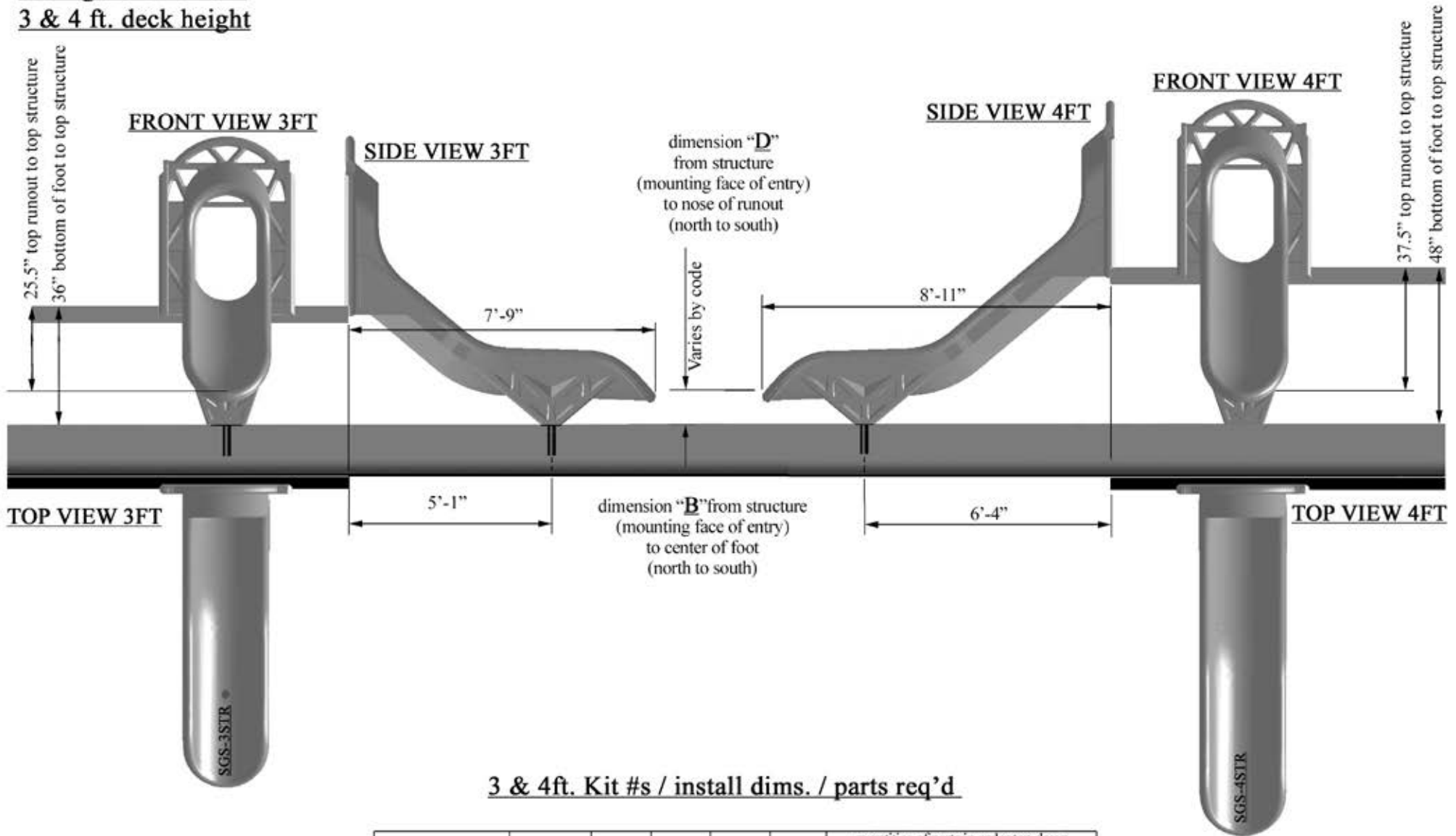


1 1/2" Button Cap Torx, Flat Washer (x3)



**Star Gate Sectional Slide  
Configurations from  
3 & 4 ft. deck height**

# 3 & 4 ft Slides



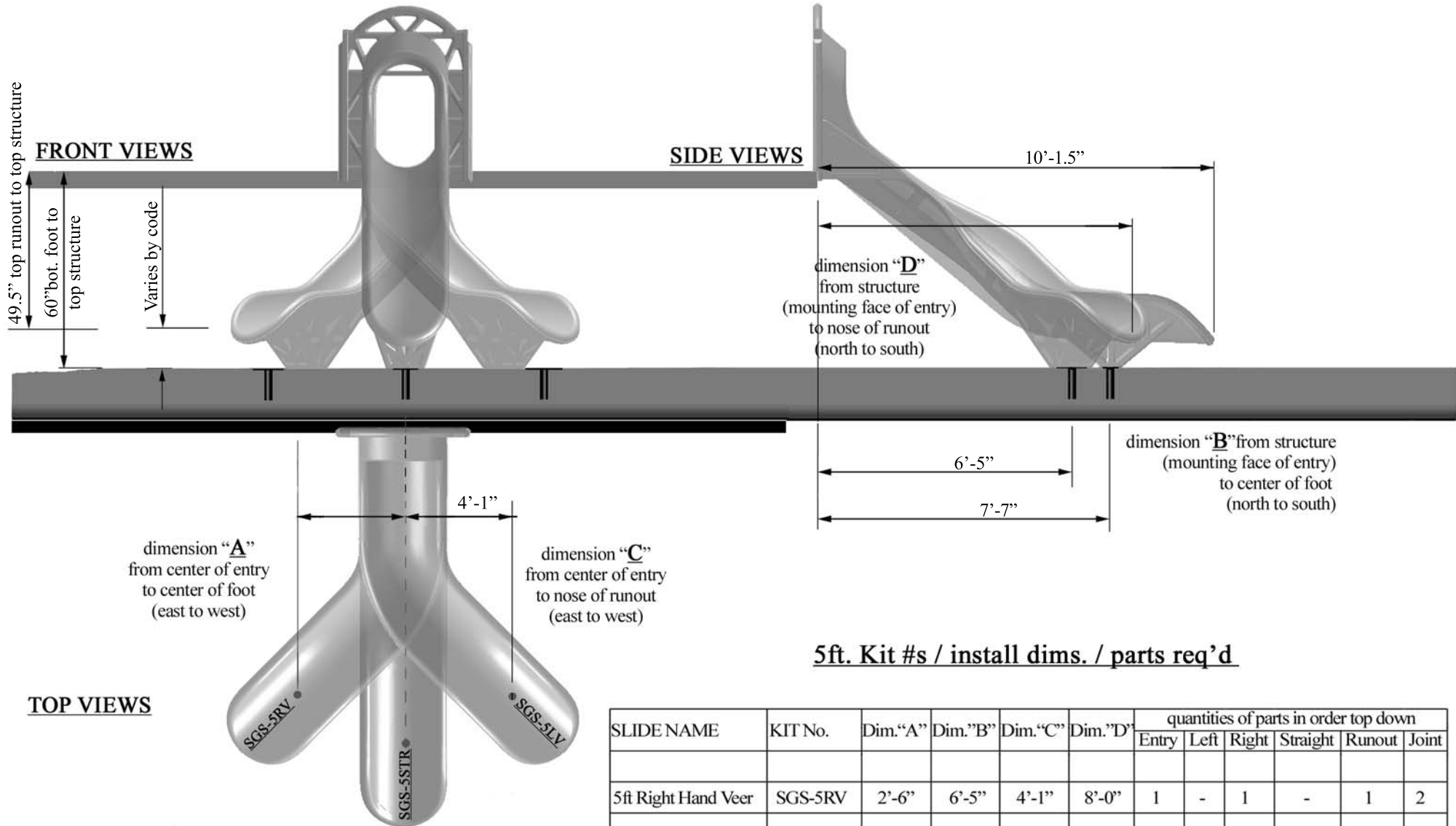
**3 & 4ft. Kit #s / install dims. / parts req'd**

SLIDE NAME	KIT No.	Dim."A"	Dim."B"	Dim."C"	Dim."D"	quantities of parts in order top down					
						Entry	Left	Right	Straight	Runout	Joint
3ft Straight	SGS-3STR	0"	5'-1"	0"	7'-9"	1	-	-	-	1	1
4ft Straight	SGS-4STR	0"	6'-4"	0"	8'-11"	1	-	-	1	1	2



**Star Gate Sectional Slide  
Configurations from  
5 ft. deck height**

# 5ft Slides



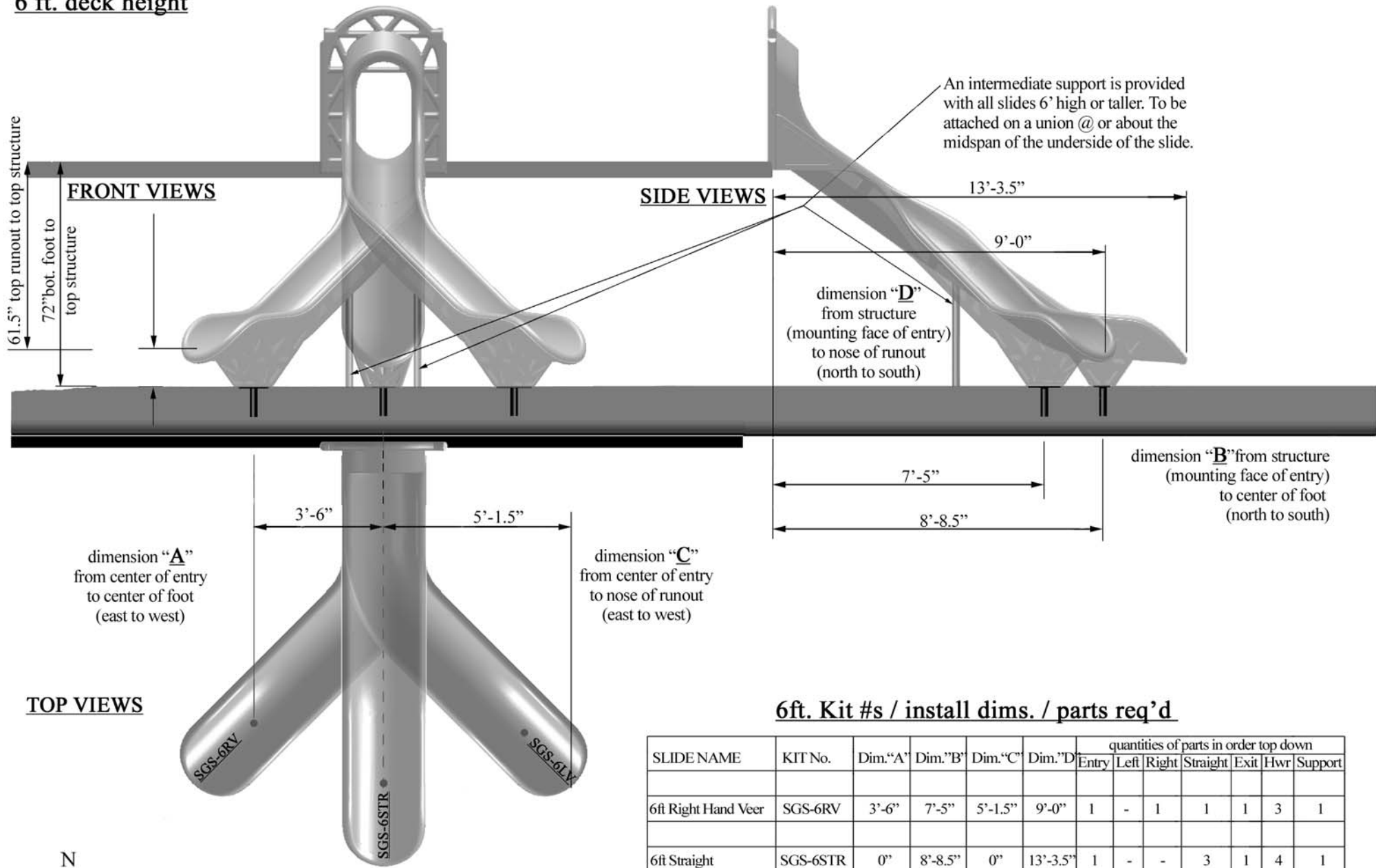
**5ft. Kit #s / install dims. / parts req'd**

SLIDE NAME	KIT No.	Dim."A"	Dim."B"	Dim."C"	Dim."D"	quantities of parts in order top down					
						Entry	Left	Right	Straight	Runout	Joint
5ft Right Hand Veer	SGS-5RV	2'-6"	6'-5"	4'-1"	8'-0"	1	-	1	-	1	2
5ft Straight	SGS-5STR	0"	7'-7"	0"	10'-1.5"	1	-	-	2	1	3
5ft Left Hand Veer	SGS-5LV	2'-6"	6'-5"	4'-1"	8'-0"	1	1	-	-	1	2



**Star Gate Sectional Slide  
Configurations from  
6 ft. deck height**

# 6ft Slides



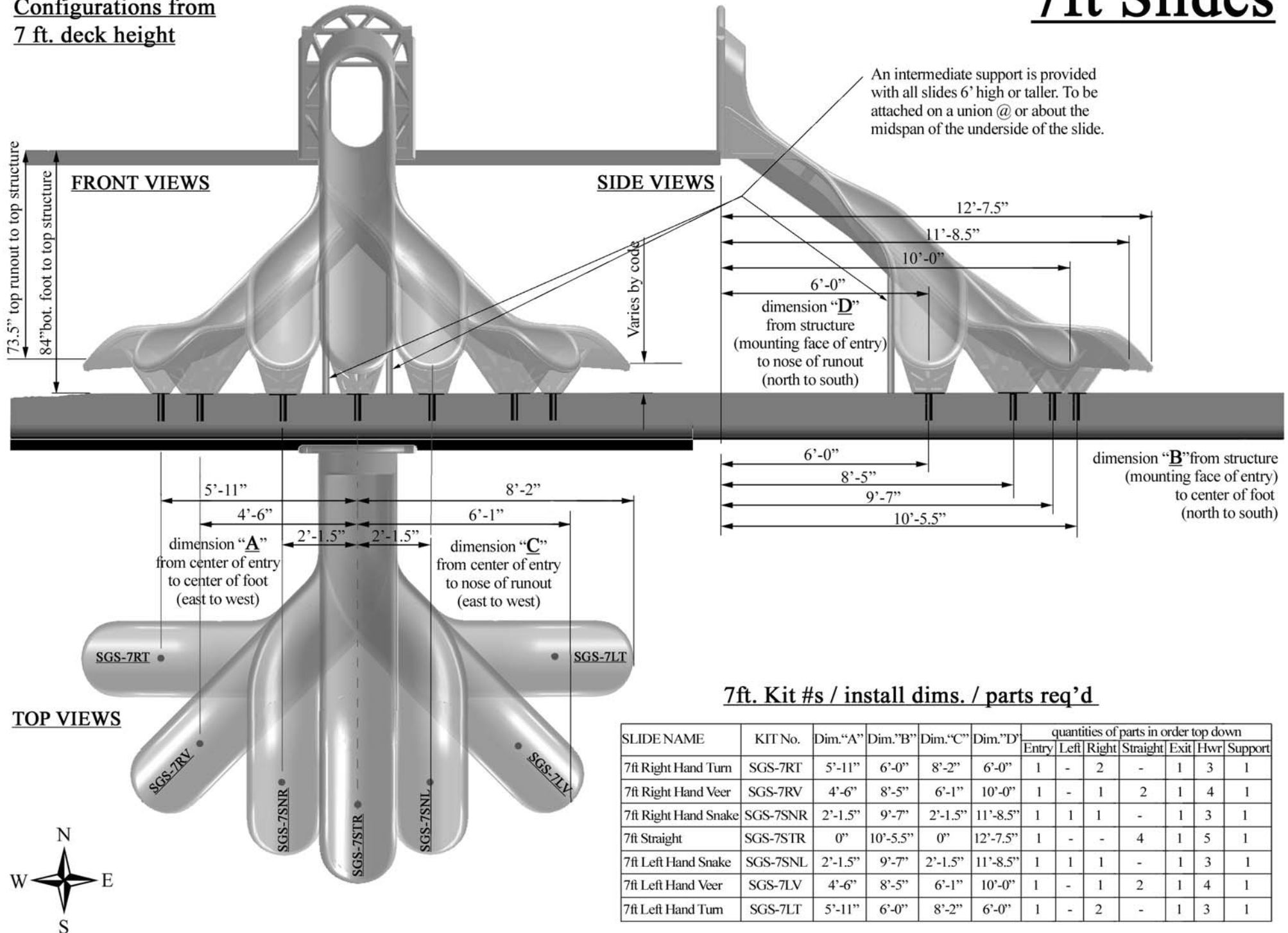
**6ft. Kit #s / install dims. / parts req'd**

SLIDE NAME	KIT No.	Dim."A"	Dim."B"	Dim."C"	Dim."D"	quantities of parts in order top down						
						Entry	Left	Right	Straight	Exit	Hwr	Support
6ft Right Hand Veer	SGS-6RV	3'-6"	7'-5"	5'-1.5"	9'-0"	1	-	1	1	1	3	1
6ft Straight	SGS-6STR	0"	8'-8.5"	0"	13'-3.5"	1	-	-	3	1	4	1
6ft Left Hand Veer	SGS-6LV	3'-6"	7'-5"	5'-1.5"	9'-0"	1	1	-	1	1	3	1



**Star Gate Sectional Slide  
Configurations from  
7 ft. deck height**

# 7ft Slides



**Star Gate Sectional Slide Configurations from 8 ft. deck height**

# 8ft Slides

