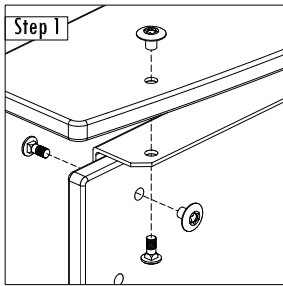
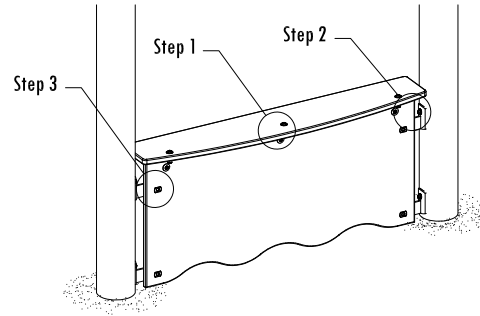


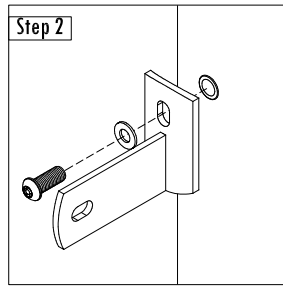
Parts List

- 4 BRK004000 Sheet Plastic Bracket
- 1 SHP00700 PlayCounter Panel
- 1 SHP01300 PlayCounter Top
- 1 PlayCounter Bracket

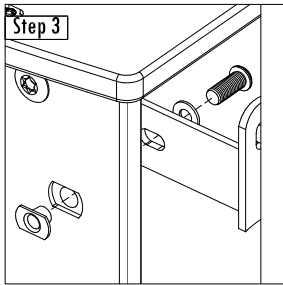
- 6 1C-0503 - Carriage Bolt 5/16" x 3/4"
- 8 2T-0604 - Button Cap Torx w/ Pin 3/8" x 1"
- 6 4C-0500 - Camtainer Nut 5/16"
- 4 4D-0600 - T Nut 3/8" x 3/4"
- 8 5F-0500 - Flat Washer 5/16" S/S w/ 3/8" Hole



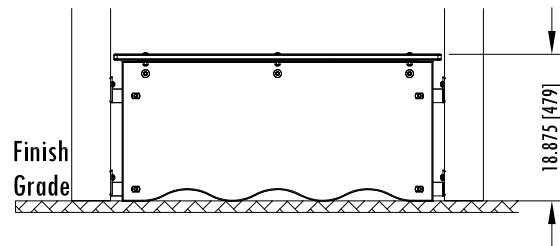
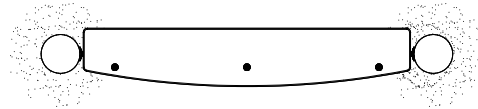
3/4" Carriage Bolt, Camtainer Nut (x6)



1" Button Cap, Flat Washer (x4)



1" Button Cap, Flat Washer, T Nut (x4)



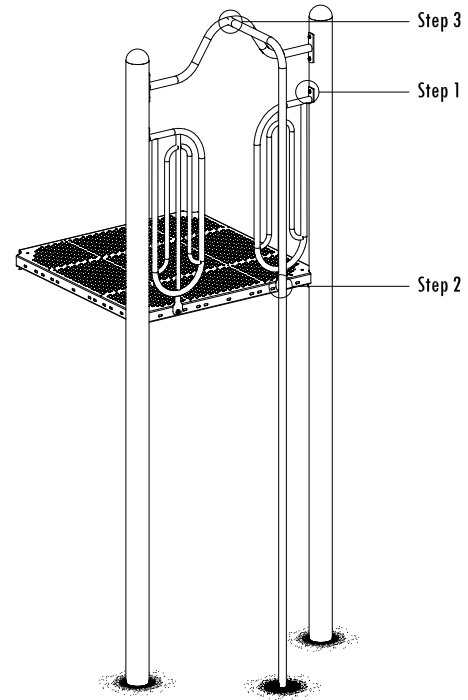
This Instruction Applies To The Following Modules :

- CB123 Slide Pole 3'
- CB124 Slide Pole 4'
- CB125 Slide Pole 5'
- CB126 Slide Pole 6'
- CB127 Slide Pole 7'

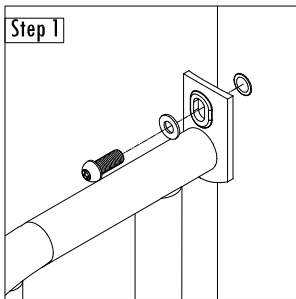
Parts List

- 1 Slide Pole
- 1 Pole Connector
- 2 Safety Railing

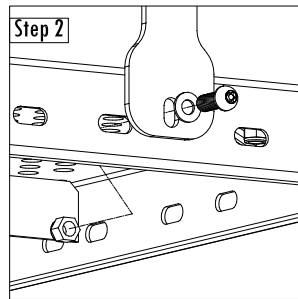
- 8 2T-0604 - Button Cap Torx w/ Pin 3/8" x 1"
- 1 2T-0610 - Button Cap Torx w/ Pin 3/8" x 2-1/2"
- 2 4L-0600 - Lock Nut w/ Nylon Locking 3/8"
- 11 5F-0500 - Flat Washer 5/16" S/S w/ 3/8" Hole



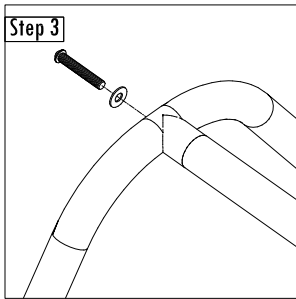
DECK HOLES USED



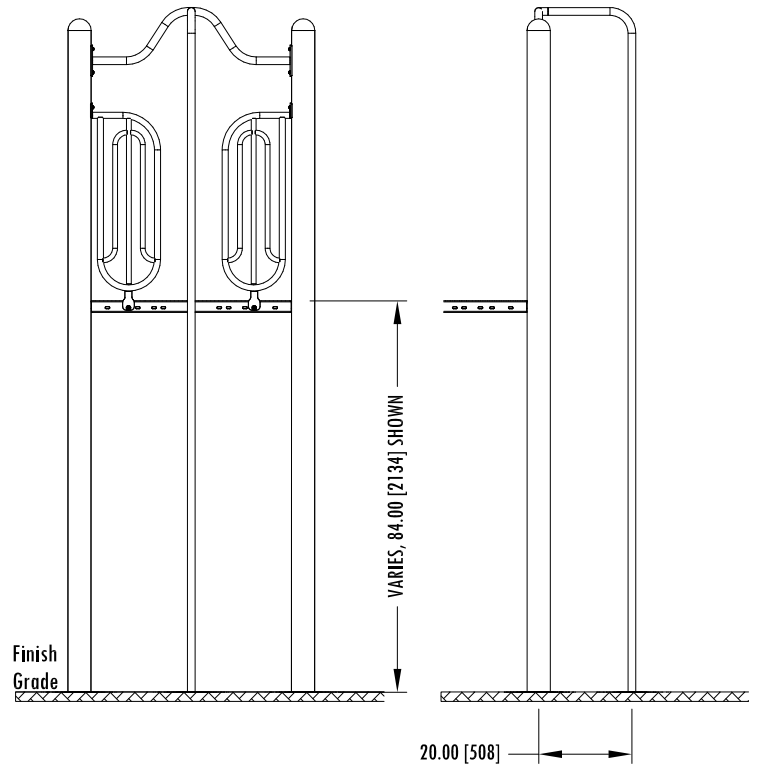
1" Button Cap Torx, Flat Washer (x6)



1" Button Cap Torx, Flat Washer, Lock Nut (x2)



2-1/2" Button Cap Torx, Flat Washer (x1)



PLAYSTEEL SQ N/A	PLAYSTEEL MAX B5-CB123-02 B5-CB124-02 B5-CB125-02 B5-CB126-02 B5-CB127-01	PLAYSTEEL FIT B3-CB123-02 B3-CB124-02 B3-CB125-02 B3-CB126-02 B3-CB127-01	B4-CB123-02 B4-CB124-02 B4-CB125-02 B4-CB126-02 B4-CB127-01	ORBIS N/A	PLAYTOTS N/A	PAGE 1 OF 1
---------------------	--	--	---	--------------	-----------------	-------------

This Instruction Applies To The Following Modules :

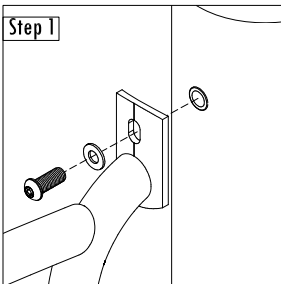
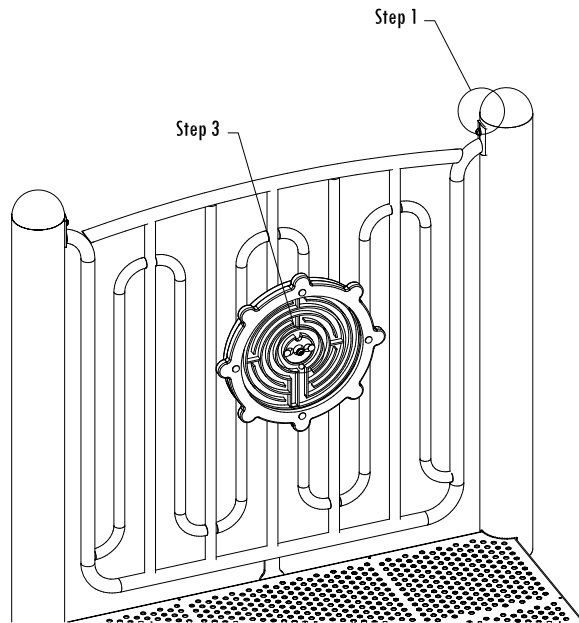
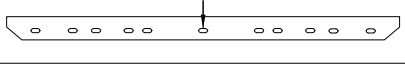
- AP032 Steering Wheel Panel
- AP065 PlayShip Helm Panel
- AP144 Maze Wheel on Vertical Rail Panel
- AP162 Balance Ball Game on Vertical Rail Panel

Parts List

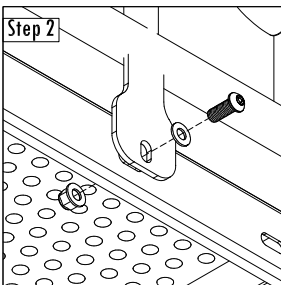
- 1 BPN00100 Vertical Rail
- 1 Wheel or Game
- 1 Universal Wheel Parts

- 3 2T-0604 - Button Cap Torx w/ Pin 3/8" x 1"
- 1 2T-0614 - Button Cap Torx w/ Pin 3/8" x 2-1/2"
- 1 4N-0600 - Locking Flange Nut 3/8"
- 1 4L-0600 - Lock Nut w/ Nylon Locking 3/8"
- 4 5F-0500 - Flat Washer 5/16" S/S w/ 3/8" Hole

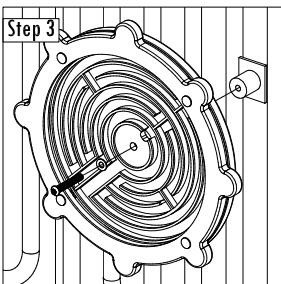
DECK HOLES USED



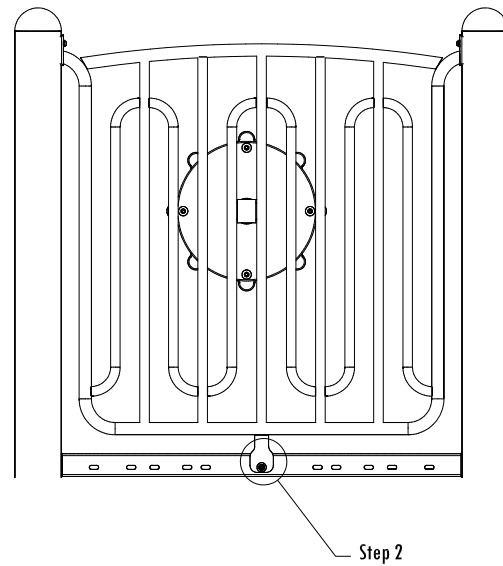
1" Button Cap, Flat Washer (x2)



1" Button Cap, Flat Washer, Locking Flange Nut (x2)



2-1/2" Button Cap, Flat Washer (x1)



PLAYSTEEL SQ N/A	PLAYSTEEL MAX B5-AP032-03 B5-AP065-03 B5-AP144-03 B5-AP162-02	PLAYSTEEL FIT B3-AP032-05 B4-AP032-03 B3-AP065-04 B4-AP065-03 B3-AP144-05 B4-AP144-03 B3-AP162-02 B4-AP162-02	ORBIS N/A	PLAYTOTS N/A	PAGE 1 OF 1
---------------------	---	---	--------------	-----------------	-------------

This Instruction Applies To The Following Modules :

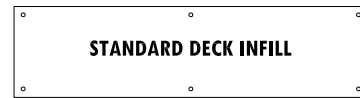
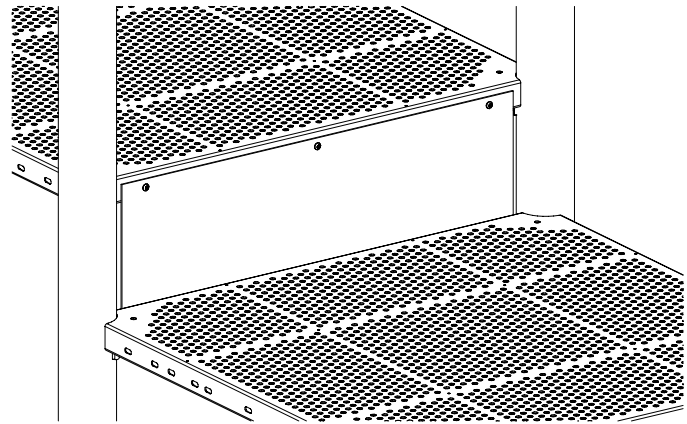
- | | | | |
|-------|-------------------------------|-------|------------------------------|
| IN001 | Infill Panel 6" | IN011 | Infill Panel 8" |
| IN002 | Infill Panel 12" | IN012 | Infill Panel 8" - Split Deck |
| IN004 | Infill Panel 24" | IN013 | Infill Panel 48" |
| IN006 | Infill Panel 36" | IN014 | Infill Panel 16" |
| IN008 | Infill Panel 12" - Split Deck | IN015 | Infill Panel 6" - Split Deck |

Parts List

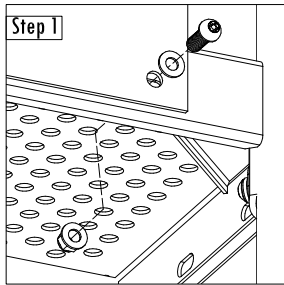
- 1 Steel Infill Panel
- 6 2T-0604 - Button Cap Torx w/ Pin 3/8" x 1"
- 6 4N-0600 - Locking Flange Nut 3/8"
- 6 5F-0500 - Flat Washer 5/16" S/S w/ 3/8" Hole

Installation Notes

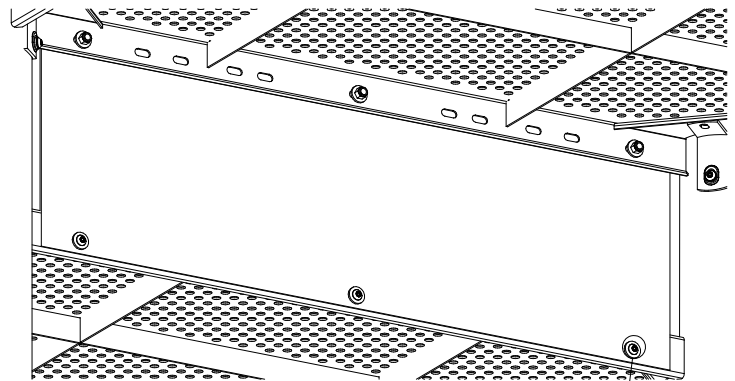
6", 8", 12", 16", 24", 36", and 48" infills are to be installed between decks with a 6", 8", 12", 16", 24", 36" and 48" height difference, respectively.
 Infill Panels come in 2 different widths depending on deck configurations. See Diagram to the right for proper configuration sizes.



DECK HOLES USED



1" Button Cap Torx, Flat Washer, Locking Flange Nut (x6)



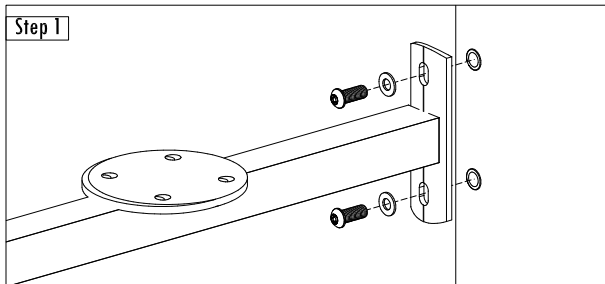
Step 1

OFFICE USE ONLY

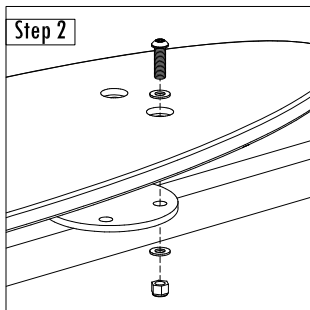
PLAYSTEEL SQ N/A	PLAYSTEEL MAX B5-IN001-01 B5-IN002-01 B5-IN004-01 B5-IN006-01 B5-IN008-01 B5-IN011-01 B5-IN012-00 B5-IN013-01	B5-IN014-01 B5-IN015-01	PLAYSTEEL FIT B3-IN001-01 B3-IN002-01 B3-IN004-01 B3-IN006-01 B3-IN008-01 B3-IN011-01 B3-IN012-00 B3-IN013-01	B3-IN014-01 B3-IN015-01 B4-IN002-01	ORBIS N/A	PLAYTOTS N/A	PAGE 1 OF 1
---------------------	---	----------------------------	---	---	--------------	-----------------	-------------

Parts List

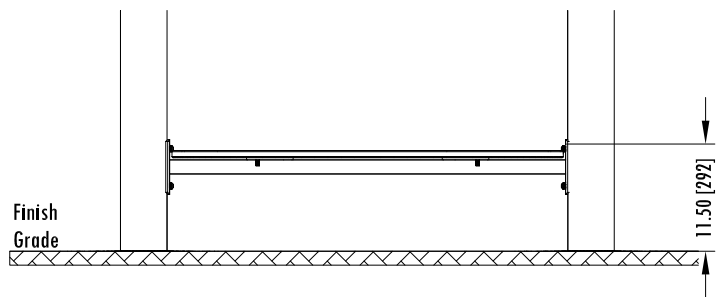
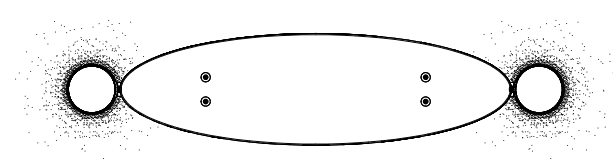
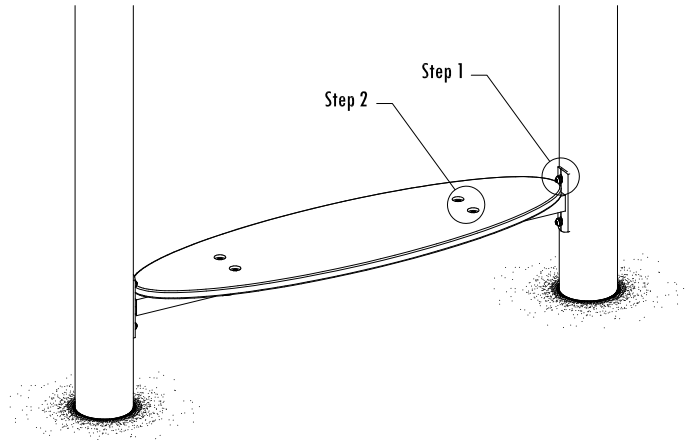
- 1 FRM01500 Frame
- 1 SHP18300 Plastic
- 4 2T-0604 - Button Cap Torx w/ Pin 3/8" x 1"
- 4 2T-0606 - Button Cap Torx w/ Pin 3/8" x 1-1/2"
- 4 4L-0600 - Lock Nut w/ Nylon Locking 3/8"
- 12 5F-0500 - Flat Washer 5/16" S/S w/ 3/8" Hole



1" Button Cap, Flat Washer (x4)

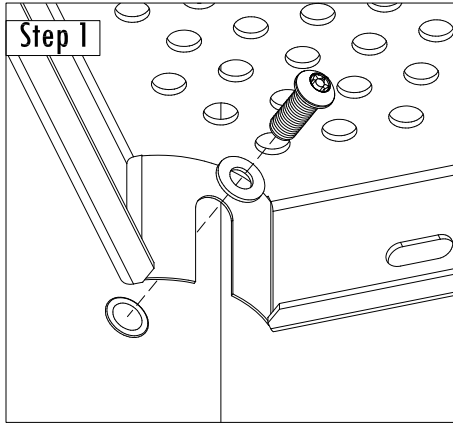


1-1/2" Button Cap, Flat Washers,
Lock Nut (x4)

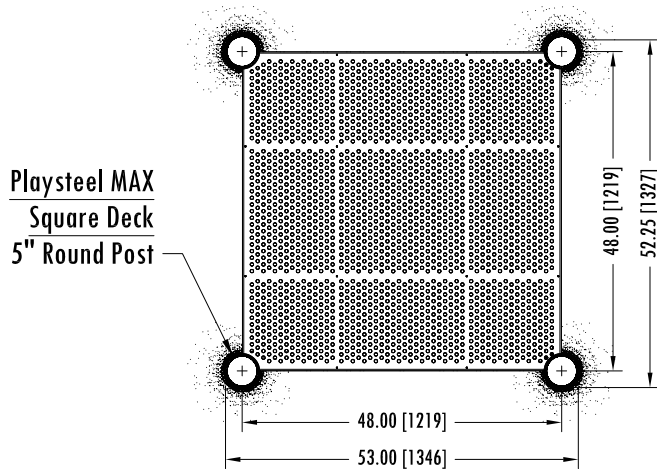
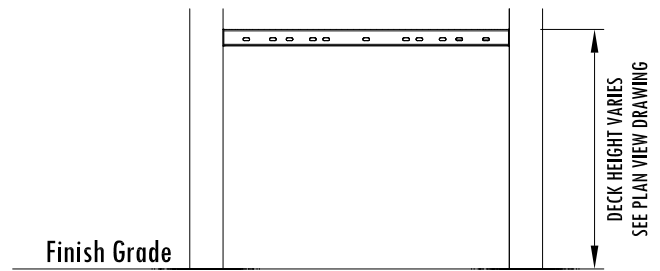
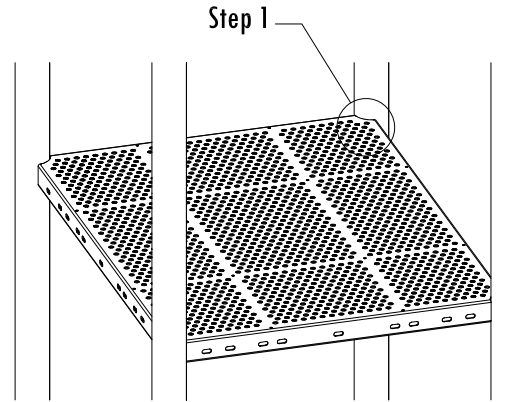


Parts List

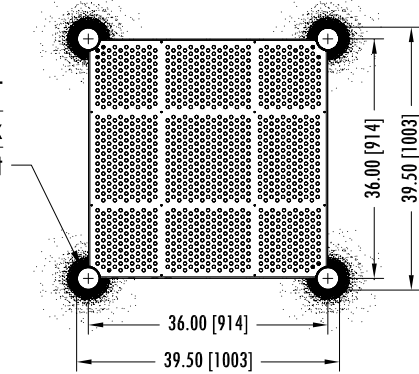
1		Deck
4	2T-0604	Button Cap Torx w/ Pin 3/8" x 1"
4	5F-0500	Flat Washer 5/16" S/S w/ 3/8" Hole



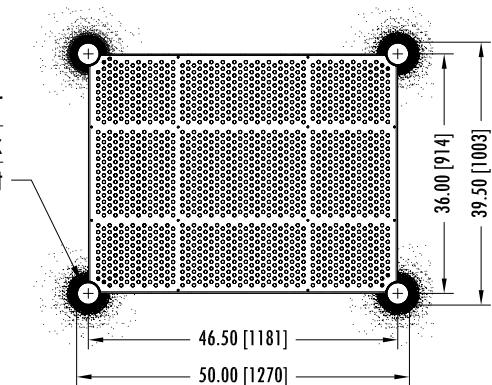
1" Button Cap, Flat Washer (x4)



Playsteel FIT
Square Deck
3.5" Round Post

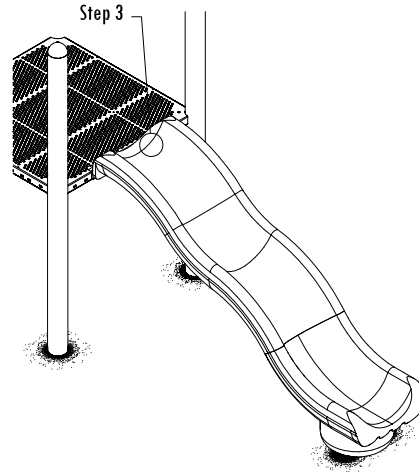


Playsteel FIT
Rectangle Deck
3.5" Round Post

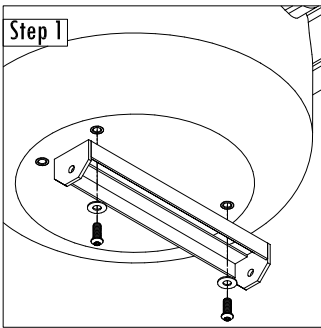


Parts List

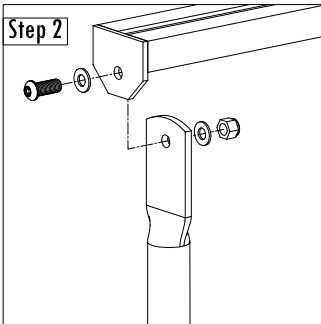
- 1 PSL01700 4' Poly Wave Slide
- 1 GND00100 Universal Ground Leg Mount
- 2 GND00200 Universal Ground Leg
- 4 2T-0604 - Button Cap Torx w/ Pin 3/8" x 1"
- 2 2T-0608 - Button Cap Torx w/ Pin 3/8" x 2"
- 2 4L-0600 - Lock Nut w/ Nylon Locking 3/8"
- 8 5F-0500 - Flat Washer 5/16" S/S w/ 3/8" Hole



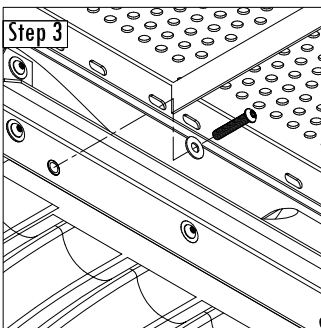
DECK HOLES USED



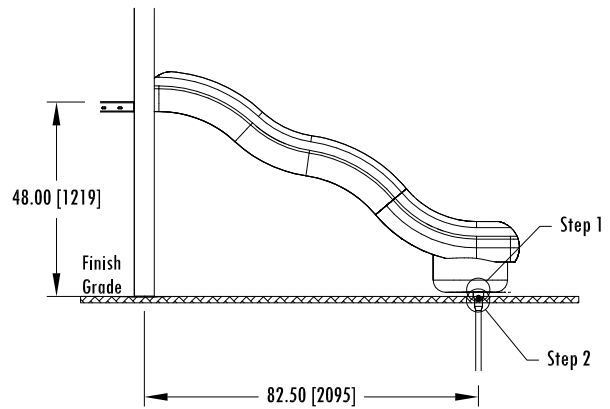
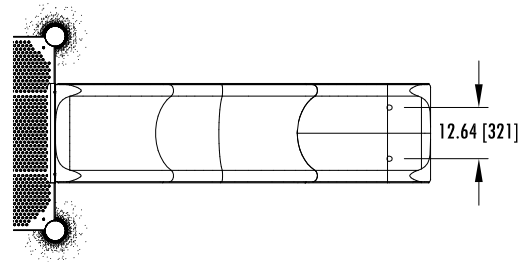
1" Button Cap Torx, Flat Washer (x2)



1" Button Cap Torx, Flat Washer, Lock Nut (x2)



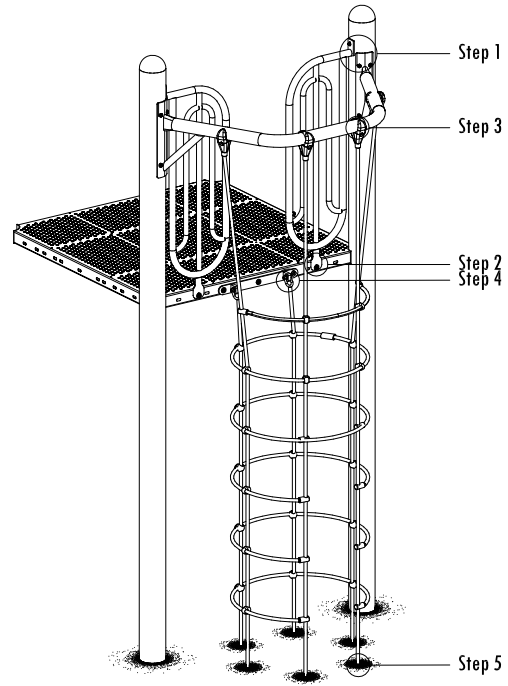
2" Button Cap Torx, Flat Washer (x2)



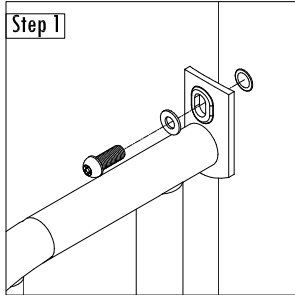
Parts List

- 1 Funnel Net
- 1 Funnel Net Upper Frame
- 1 Funnel Net Lower Frame
- 1 Funnel Net Deck Bracket
- 2 Safety Railing
- 3 Ground Leg

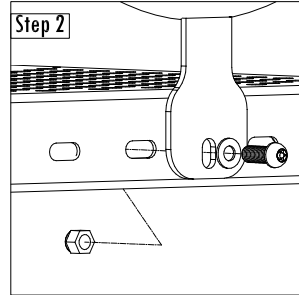
- 15 2T-0604 - Button Cap Torx w/ Pin 3/8" x 1"
- 6 3V-0602 - Self Tapping Screw 3/8"
- 5 4N-0600 - Locking Flange Nut 3/8"
- 15 5F-0500 - Flat Washer 5/16" S/S w/ 3/8" Hole



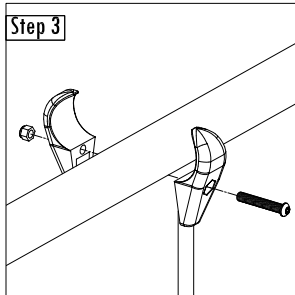
DECK HOLES USED



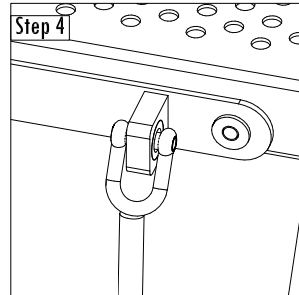
1" Button Cap Torx, Flat Washer (x10)



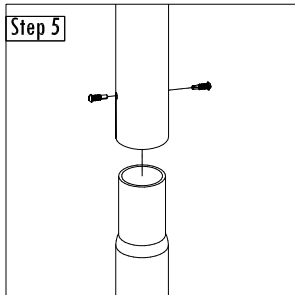
1" Button Cap Torx, Flat Washer, Lock Nut (x5)



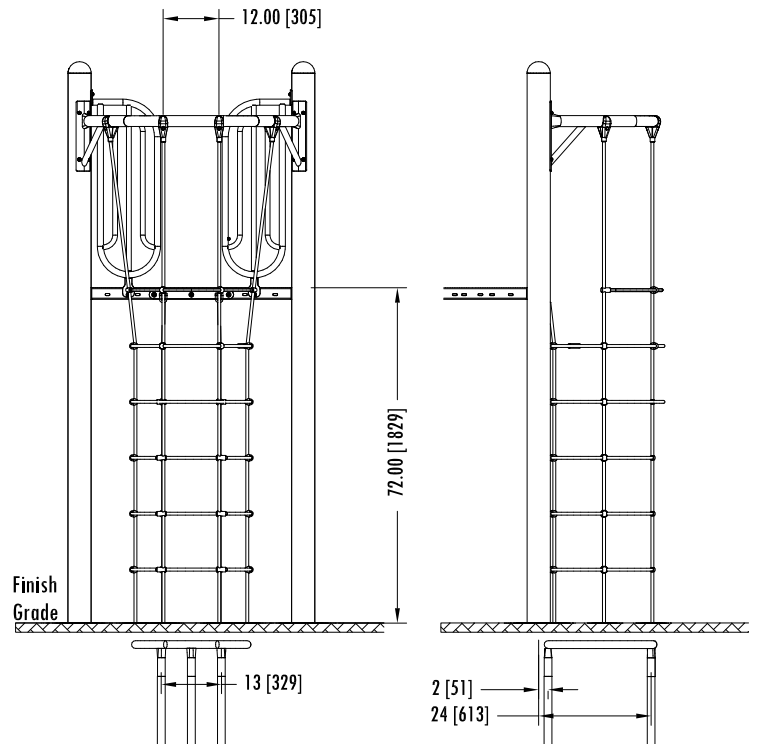
Attach Funnel Net to Upper & Lower Frames with Clamps (x10)



Attach Funnel Net to Deck Bracket with "D" Links (x2)



Self Tapping Screw (x6)



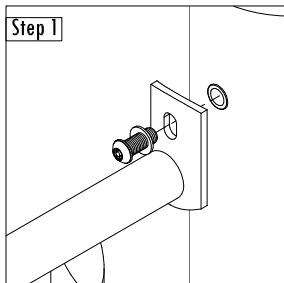
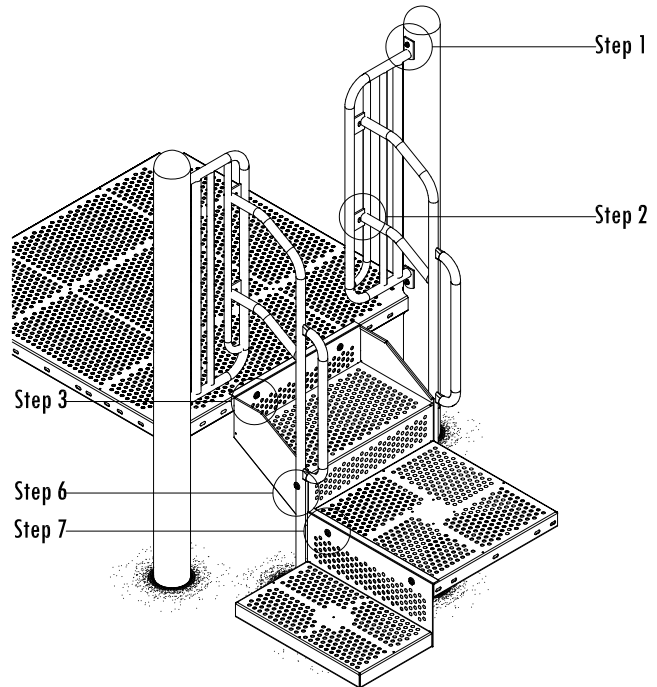
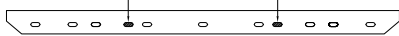
This Instruction Applies To The Following Modules :

- ST092 & ST102 - Transfer Station 2FT
- ST093 & ST103 - Transfer Station 3FT
- ST094 & ST104 - Transfer Station 4FT
- ST095 & ST105 - Transfer Station 5FT

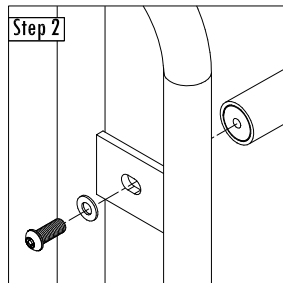
Parts List

2	GND1000	Transfer Station Ground Leg
2	HDR01300	Stair Barrier Rail- Upper 16"
2		Transfer Step Handrails
1	DCK02500	Transfer Deck
1		Accessible Stair
1	STR03500	Transfer Station Step
24	2T-0604	Button Cap Torx w/Pin 3/8" x 1"
2	2T-0608	Button Cap Torx w/Pin 3/8" x 2"
2	4L-0600	Lock Nut w/ Nylon Locking 3/8"
16	4N-0600	Locking Flange Nut 3/8"
26	5F-0500	Flat Washer 5/16" S/S w/ 3/8" Hole

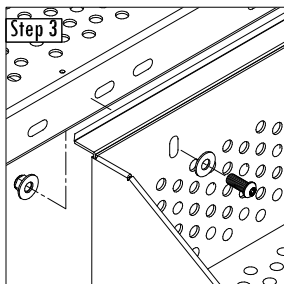
DECK HOLES USED



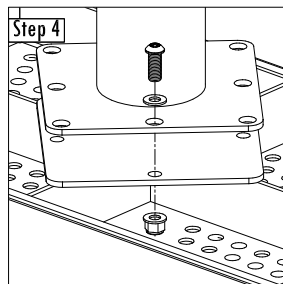
Step 1
1" Button Cap Torx, Flat Washer (x4)



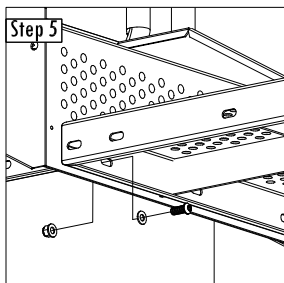
Step 2
1" Button Cap Torx, Flat Washer (x4)



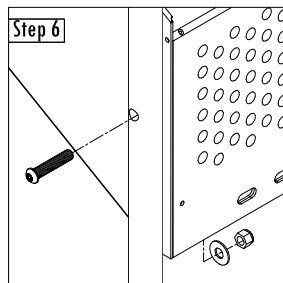
Step 3
1" Button Cap Torx, Flat Washers, Locking Flange Nut (x2)



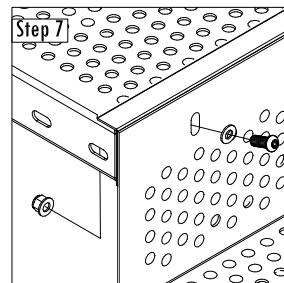
Step 4
1" Button Cap Torx, Flat Washers, Locking Flange Nut (x8)



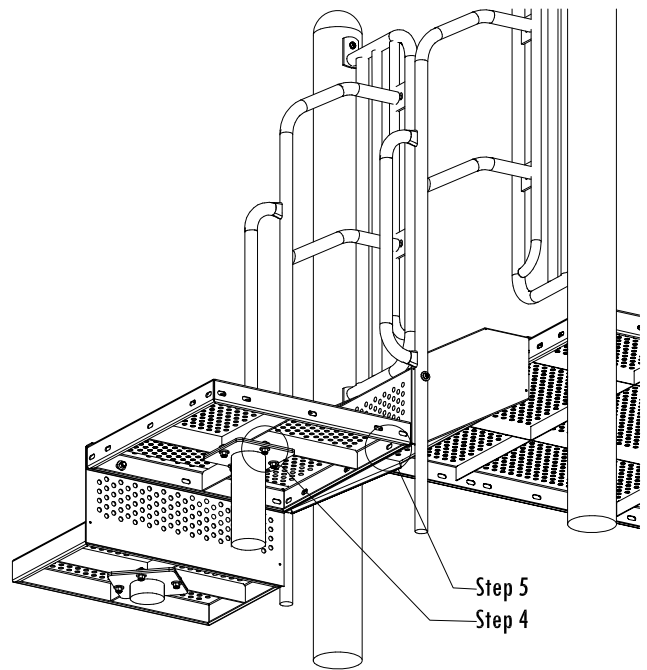
Step 5
1" Button Cap Torx, Flat Washers, Locking Flange Nut (x2)



Step 6
2" Button Cap Torx, Flat Washer, Lock Nut (x2)

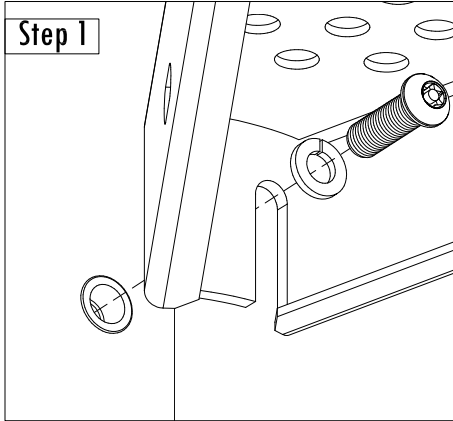


Step 7
1" Button Cap Torx, Flat Washers, Locking Flange Nut (x2)

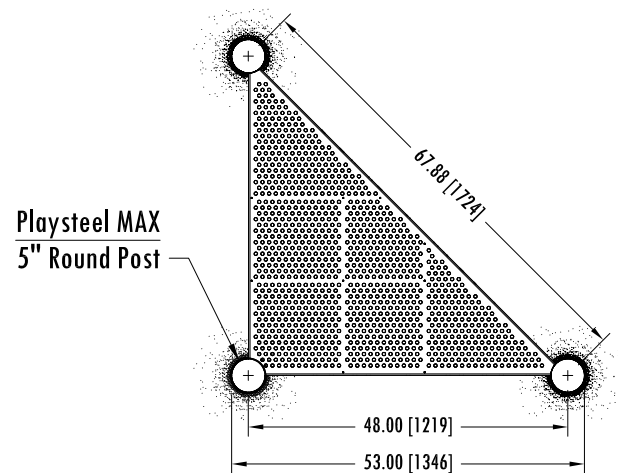
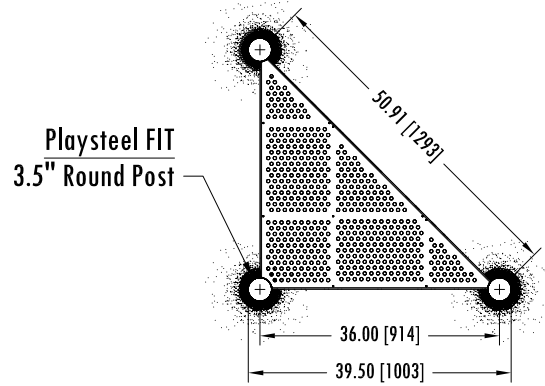
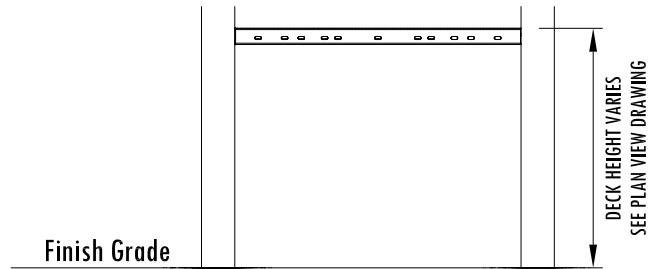
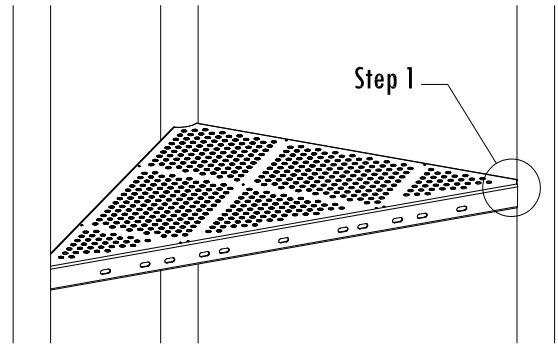


Parts List

1	DCK00200	Split Deck
3	2T-0604	Button Cap Torx w/ Pin 3/8" x 1"
3	5F-0500	Flat Washer 5/16" S/S w/ 3/8" Hole



1" Button Cap, Flat Washer (x3)

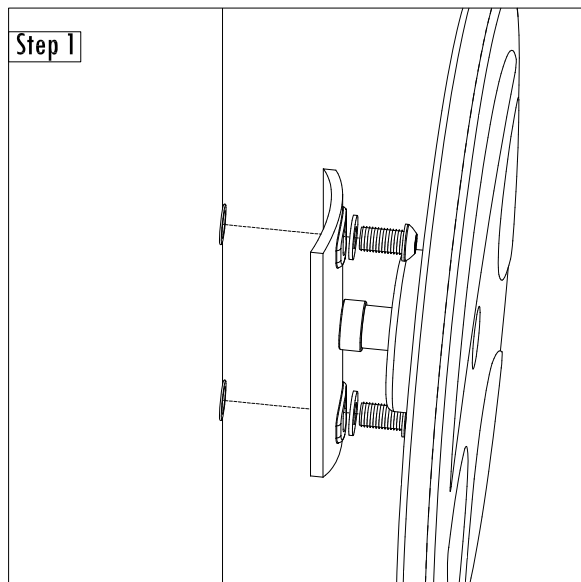
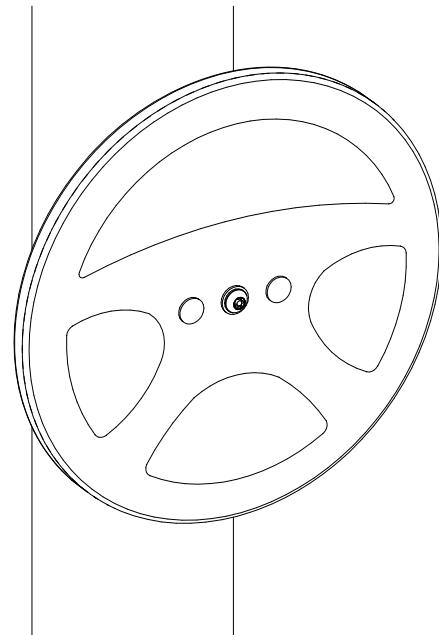


This Instruction Applies To The Following Modules :

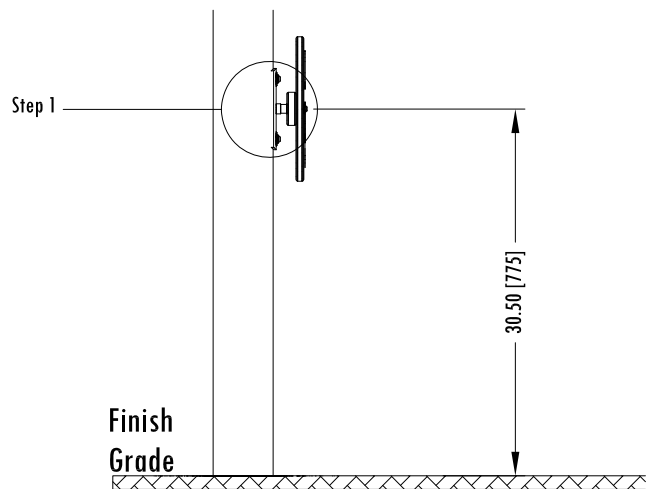
- AP158 - Balance Ball Game
- PT023 - PlayTot Ship Wheel on Post
- SC003 - Steering Wheel on Post
- SC005 - PlayShip Steering Wheel on Post
- SC027 - Maze Wheel

Parts List

- 1 Wheel with On Post Mounting Bracket
- 2 2T-0604 Button Cap Torx w/ Pin 3/8" x 1"
- 2 5F-0500 Flat Washer 5/16" with 3/8" Hole



1" Button Cap, Flat Washer (x2)

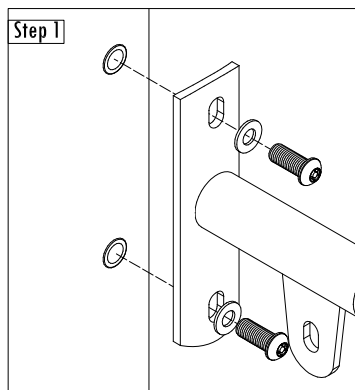
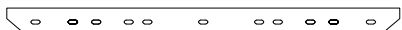


PLAYSTEEL SQ	PLAYSTEEL MAX	PLAYSTEEL FIT	ORBIS	PLAYTOTS	PAGE
	B5-AP158-02	B3-AP158-02		PT-PT023-01	1 OF 1
	B5-SC003-03	B3-SC003-03	N/A		
	B5-SC005-02	B3-SC005-02			
	B5-SC027-03	B3-SC027-04			

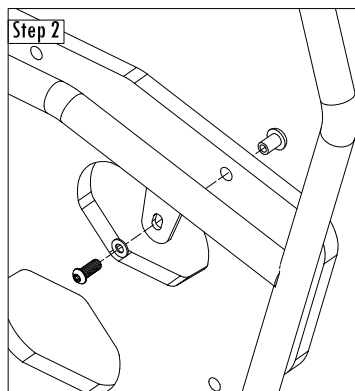
Parts List

- | | | |
|----|---------|--------------------------------------|
| 1 | CLM251 | Vertical Leaf Climber Frame |
| 2 | SHP439 | Vertical Leaf Climber Plastic |
| 14 | 2T-0604 | - Button Cap Torx w/ Pin 3/8" x 1" |
| 8 | 4R-0603 | - Barrel Nut 3/8" x 3/4" |
| 14 | 5F-0500 | - Flat Washer 5/16" S/S w/ 3/8" Hole |

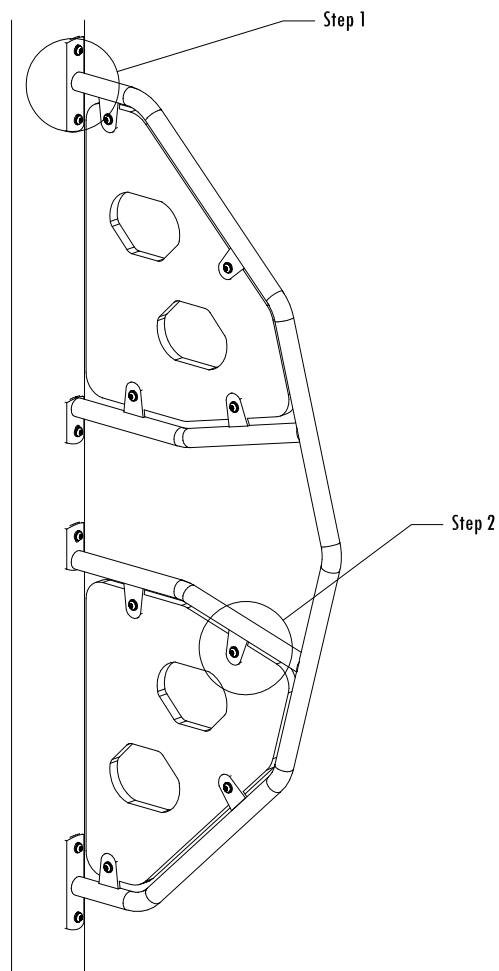
DECK HOLES USED



1" Button Cap Torx, Flat Washer (x6)



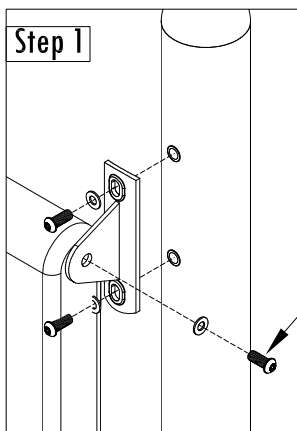
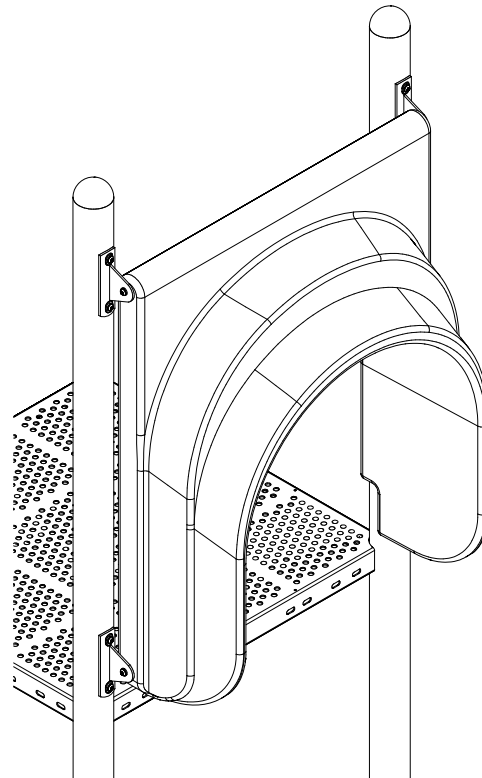
1" Button Cap Torx, Flat Washer,
Barrel Nut (x8)



Parts List

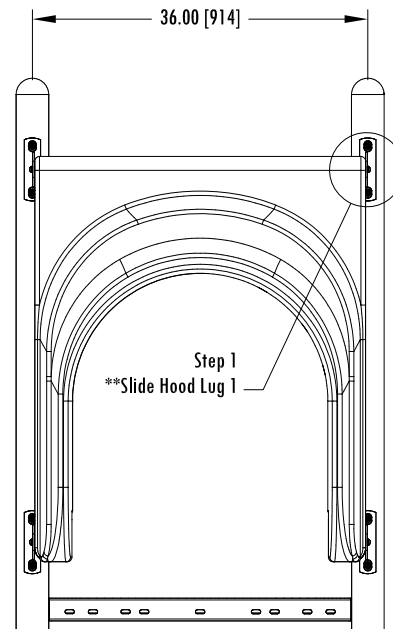
- 4 BRK12800 Slide Hood Lug 1
- 1 PPN00701 B3 Single Slide Hood

- 8 2T-0604 - Button Cap Torx w/ Pin 3/8" x 1"
- 4 2T-0606z - Button Cap Torx w/ Pin 3/8" x 1-1/2" (no locktite)
- 12 5F-0500 - Flat Washer 5/16" S/S w/ 3/8" Hole



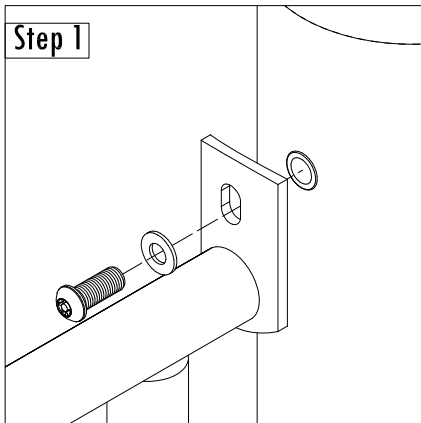
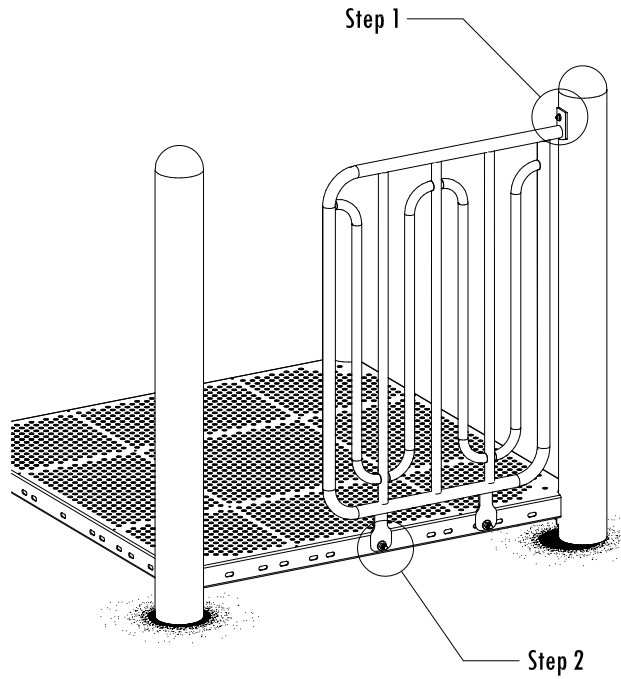
NO LOCKTITE

1" Button Cap, Flat Washer (x8)
 1-1/2" Button Cap, Flat Washer (x4)

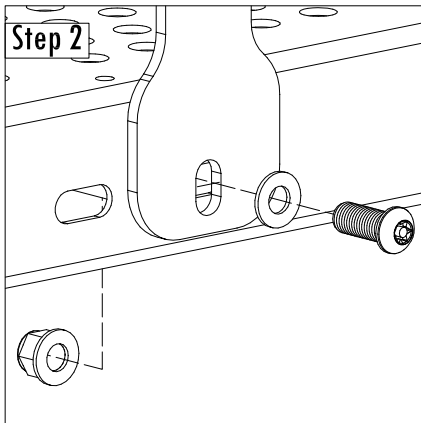


Parts List

- 1 BPN01200 Open Rail
- 3 2T-0604 - Button Cap Torx w/ Pin 3/8" x 1"
- 2 4N-0600 - Locking Flange Nut 3/8"
- 3 5F-0500 - Flat Washer 5/16" S/S w/ 3/8" Hole



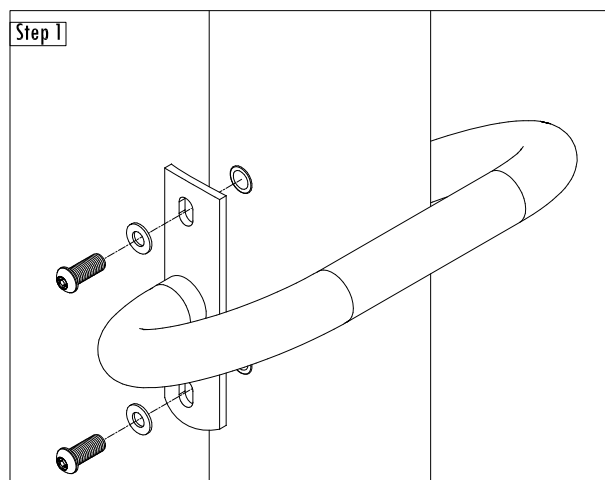
1" Button Cap, Flat Washer (x1)



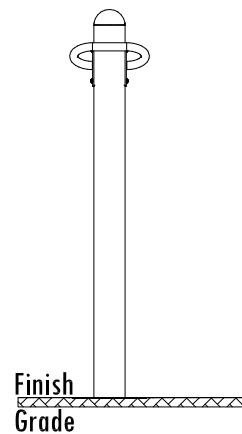
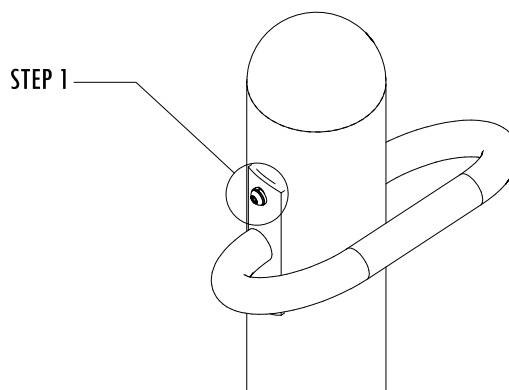
1" Button Cap, Flat Washer, Locking Flange Nut (x2)

Parts List

- 1 OHE07100 Crunch Bar
- 4 2T-0604 - Button Cap Torx w/ Pin 3/8" x 1"
- 4 5F-0500 - Flat Washer 5/16" S/S w/ 3/8" Hole



1" Button Cap, Flat Washer (x4)

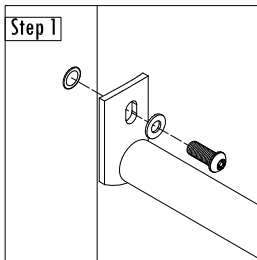
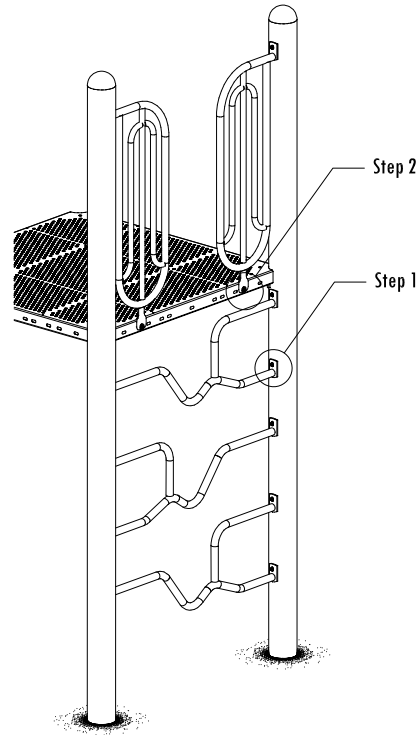


Parts List

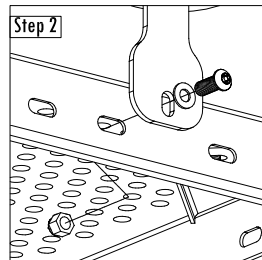
- 2 BPN002 Safety Railing
- ** CLM252 Tree Branch Climber Frame

- 28 2T-0604 - Button Cap Torx w/ Pin 3/8" x 1"
- 2 4N-0600 - Locking Flange Nut 3/8"
- 12 4R-0603 - Barrel Nut 3/8" x 3/4"
- 16 5F-0500 - Flat Washer 5/16" S/S w/ 3/8" Hole

** All Quantities May Vary



1" Button Cap Torx,
Flat Washer (x14)



1" Button Cap Torx, Flat Washer,
Locking Flange Nut (x2)

B5-CB704-00	B3-CB704-00	B4-CB704-00
B5-CB705-00	B3-CB705-00	B4-CB705-00
B5-CB706-00	B3-CB706-00	B4-CB706-00
B5-CB707-00	B3-CB707-00	B4-CB707-00
B5-CB708-00	B3-CB708-00	B4-CB708-00

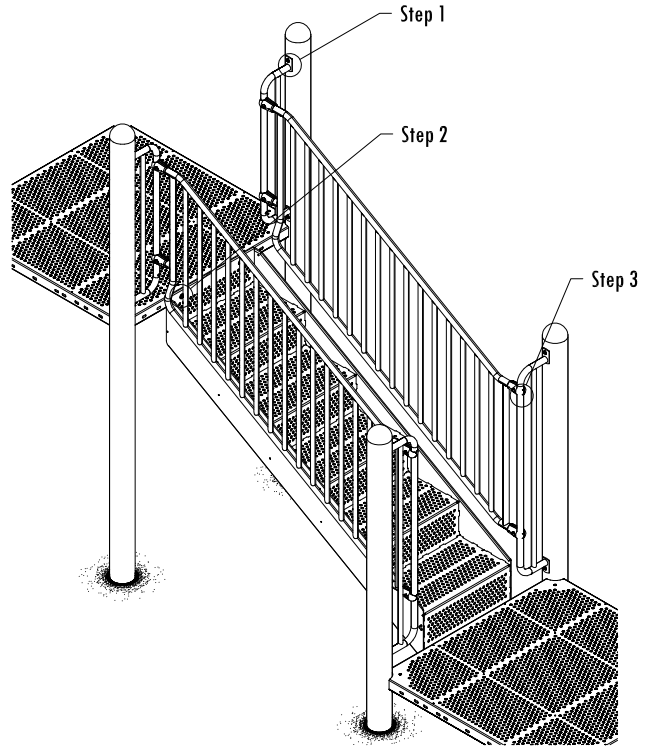
This Instruction Applies To The Following Modules :

ST061	Accessible Step Deck 12"	(1 Steps)
ST063	Accessible Step Deck 24"	(2 Steps)
ST067	Accessible Step Deck 48"	(5 Steps)
ST068	Accessible Step Deck 48"	(5 Steps)

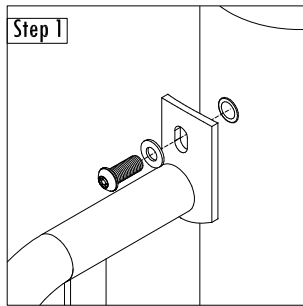
Parts List

2	BPN056	Accessible Step Deck Upper (37")
2	BPN057	Accessible Step Deck Lower (51")
8	CLP001	1.315" Tubing Clamp
2	HDR086	Accessible Step Deck Handrail
1		Accessible Stair

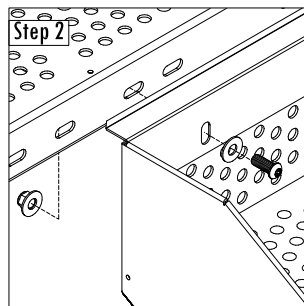
12	2T-0604	- Button Cap Torx w/ Pin 3/8" x 1"
8	2T-0610	- Button Cap Torx w/ Pin 3/8" x 1-1/2"
8	4L-0601	- SS Lock Nut 3/8"-16 UNC .41h-11/16W
4	4N-0600	- Locking Flange Nut 3/8"
12	5F-0500	- Flat Washer 5/16" S/S w/ 3/8" Hole



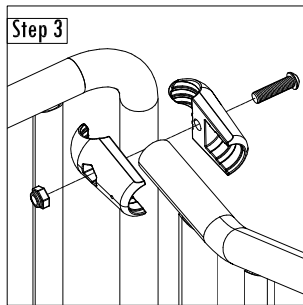
DECK HOLES USED



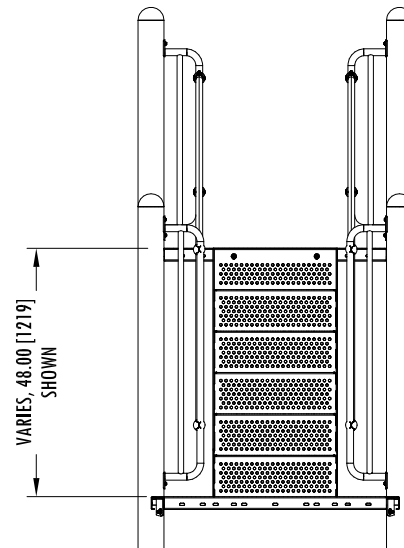
1" Button Cap, Flat Washer (x8)



1" Button Cap, Flat Washer, Locking Flange Nut (x4)



1-1/2" Button Cap Torx, Locknut (x8)



PLAYSTEEL SQ N/A	PLAYSTEEL MAX B5-ST061-03 B5-ST063-04 B5-ST067-00 B5-ST068-04	PLAYSTEEL FIT B3-ST061-05 B3-ST063-05 B3-ST067-00 B3-ST068-05	B4-ST061-05 B4-ST063-04 B4-ST067-00 B4-ST068-05	ORBIS N/A	PLAYTOTS N/A	PAGE 1 OF 1
---------------------	---	---	--	--------------	-----------------	-------------

This Instruction Applies To The Following Modules :

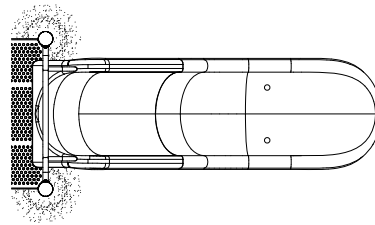
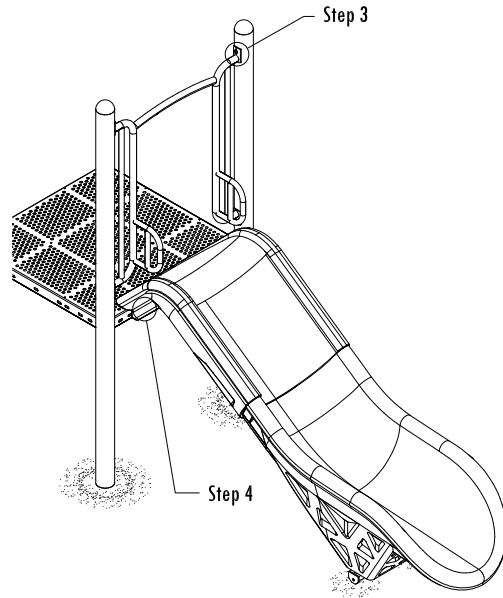
- | | |
|--|---|
| SL263 Open Starglide Slide Straight 3' | SL286 Open Starglide Slide Veer Left 6' |
| SL264 Open Starglide Slide Straight 4' | SL287 Open Starglide Slide Veer Left 7' |
| SL265 Open Starglide Slide Straight 5' | SL288 Open Starglide Slide Veer Left 8' |
| SL266 Open Starglide Slide Straight 6' | SL297 Open Starglide Slide Turn Right 7' |
| SL267 Open Starglide Slide Straight 7' | SL298 Open Starglide Slide Turn Right 8' |
| SL268 Open Starglide Slide Straight 8' | SL307 Open Starglide Slide Turn Left 7' |
| SL275 Open Starglide Slide Veer Right 5' | SL308 Open Starglide Slide Turn Left 8' |
| SL276 Open Starglide Slide Veer Right 6' | SL317 Open Starglide Slide Snake Right 7' |
| SL277 Open Starglide Slide Veer Right 7' | SL318 Open Starglide Slide Snake Right 8' |
| SL278 Open Starglide Slide Veer Right 8' | SL327 Open Starglide Slide Snake Left 7' |
| SL285 Open Starglide Slide Veer Left 5' | SL328 Open Starglide Slide Snake Left 8' |

Parts List

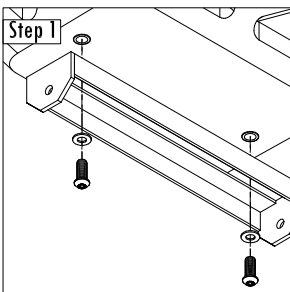
- 1 Open Stargate Slide Assembly
 - 1 1M-P1-GND00100-00 Universal Ground Leg Mount
 - 2 1M-P1-GND00200-00 Universal Ground Leg
 - 1 1M-B3-BPN06000-00 Open Starglide Entry Rail
 - 1* 1S-P1-GND02500-00 Starglide Support Leg (6' or higher slides)
- *Quantity specified on Starglide Sectional Slide configuration diagram.

- 6 2T-0604 - Button Cap Torx w/ Pin 3/8" x 1"
- 3 2T-0606 - Button Cap Torx w/ Pin 3/8" x 1-1/2"
- 2 4L-0600 - Lock Nut w/ Nylon Locking 3/8"
- 14 5F-0500 - Flat Washer 5/16" S/S w/ 3/8" Hole

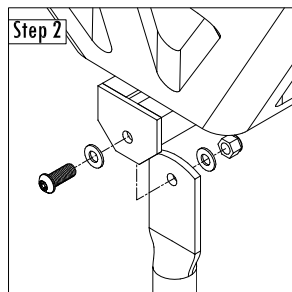
For slides shipped in sections, assemble with (5) 3/8" x 3-1/2" Torx, flatwashers, 1/2" flatwasher and spenco nuts.



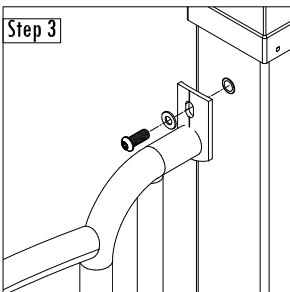
DECK HOLES USED



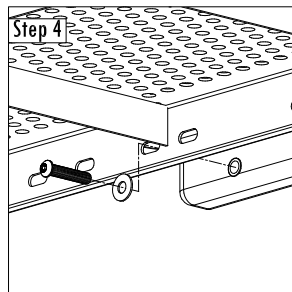
1" Button Cap Torx, Flat Washer (x2)



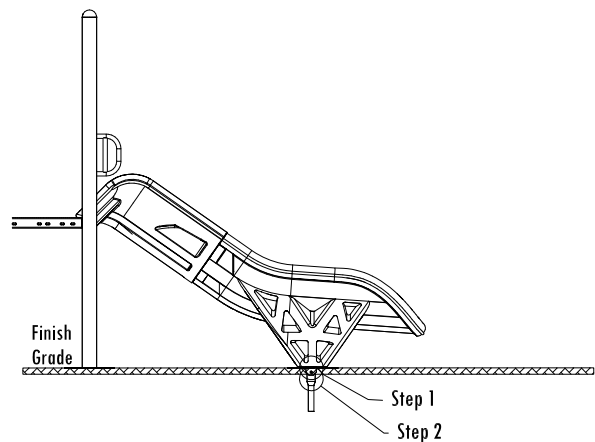
1" Button Cap Torx, Flat Washer, Lock Nut (x2)



1" Button Cap Torx, Flat Washer (x4)

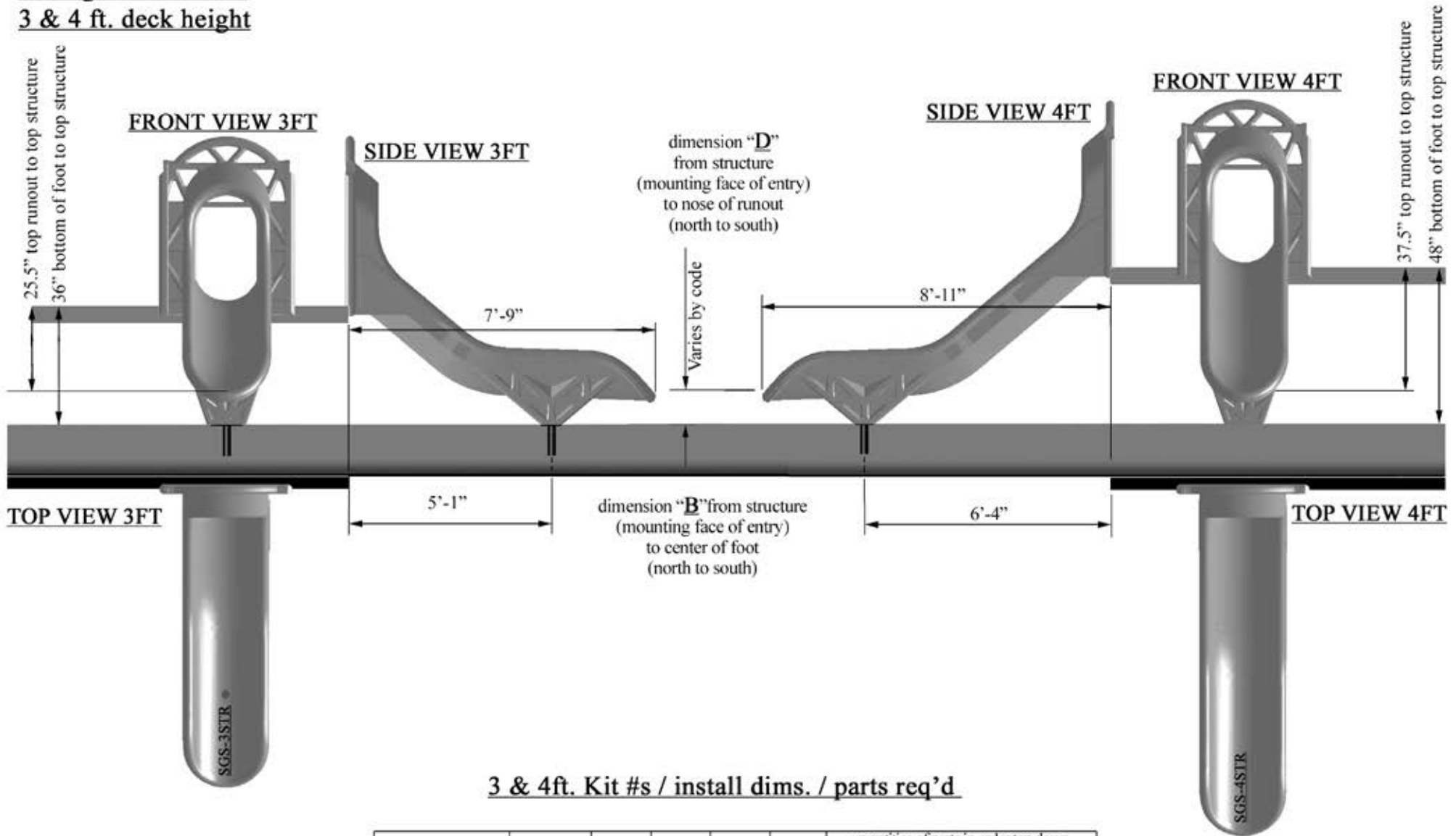


1 1/2" Button Cap Torx, Flat Washer (x3)



**Star Gate Sectional Slide
Configurations from
3 & 4 ft. deck height**

3 & 4 ft Slides



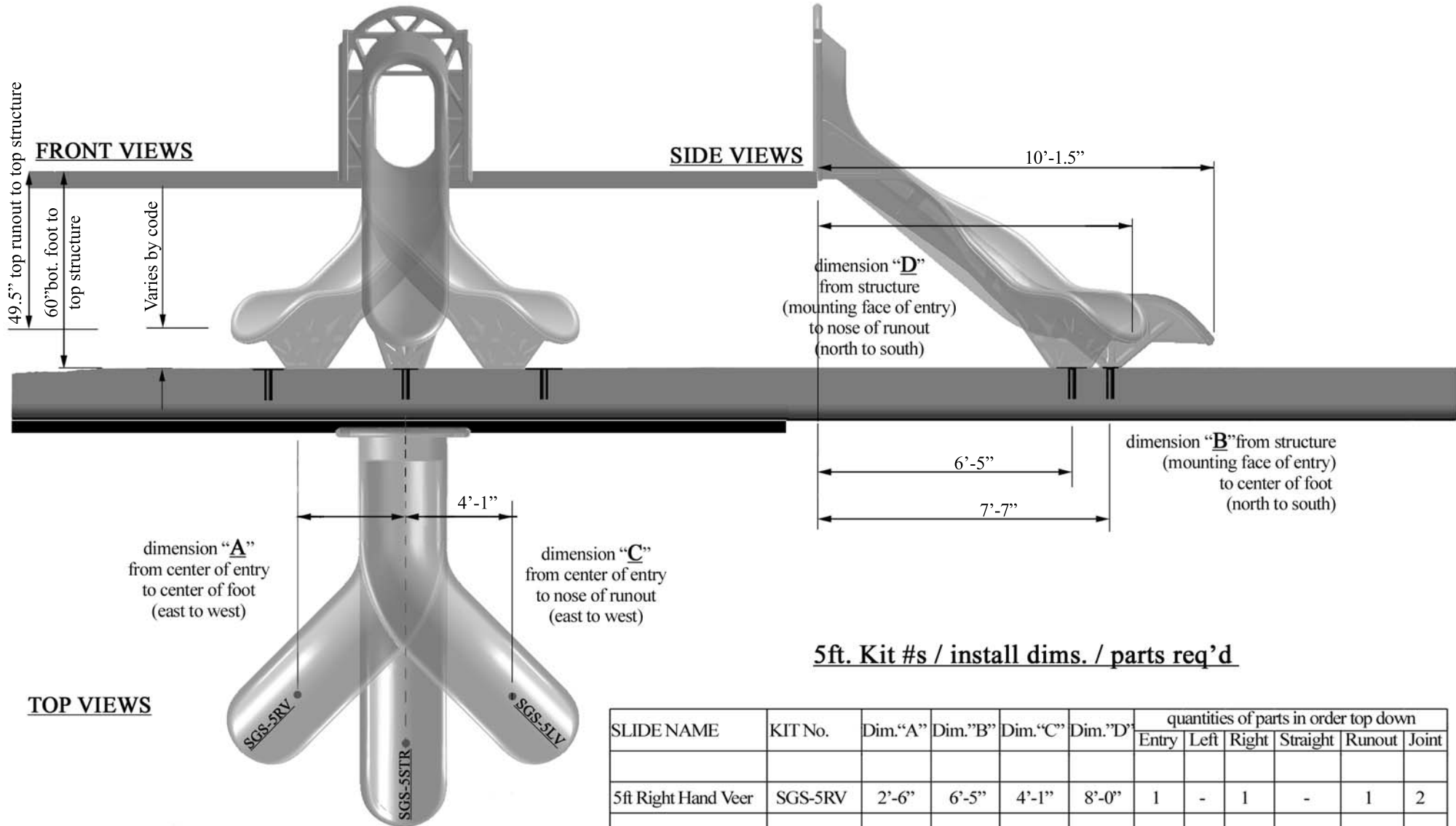
3 & 4ft. Kit #s / install dims. / parts req'd

SLIDE NAME	KIT No.	Dim."A"	Dim."B"	Dim."C"	Dim."D"	quantities of parts in order top down					
						Entry	Left	Right	Straight	Runout	Joint
3ft Straight	SGS-3STR	0"	5'-1"	0"	7'-9"	1	-	-	-	1	1
4ft Straight	SGS-4STR	0"	6'-4"	0"	8'-11"	1	-	-	1	1	2



**Star Gate Sectional Slide
Configurations from
5 ft. deck height**

5ft Slides



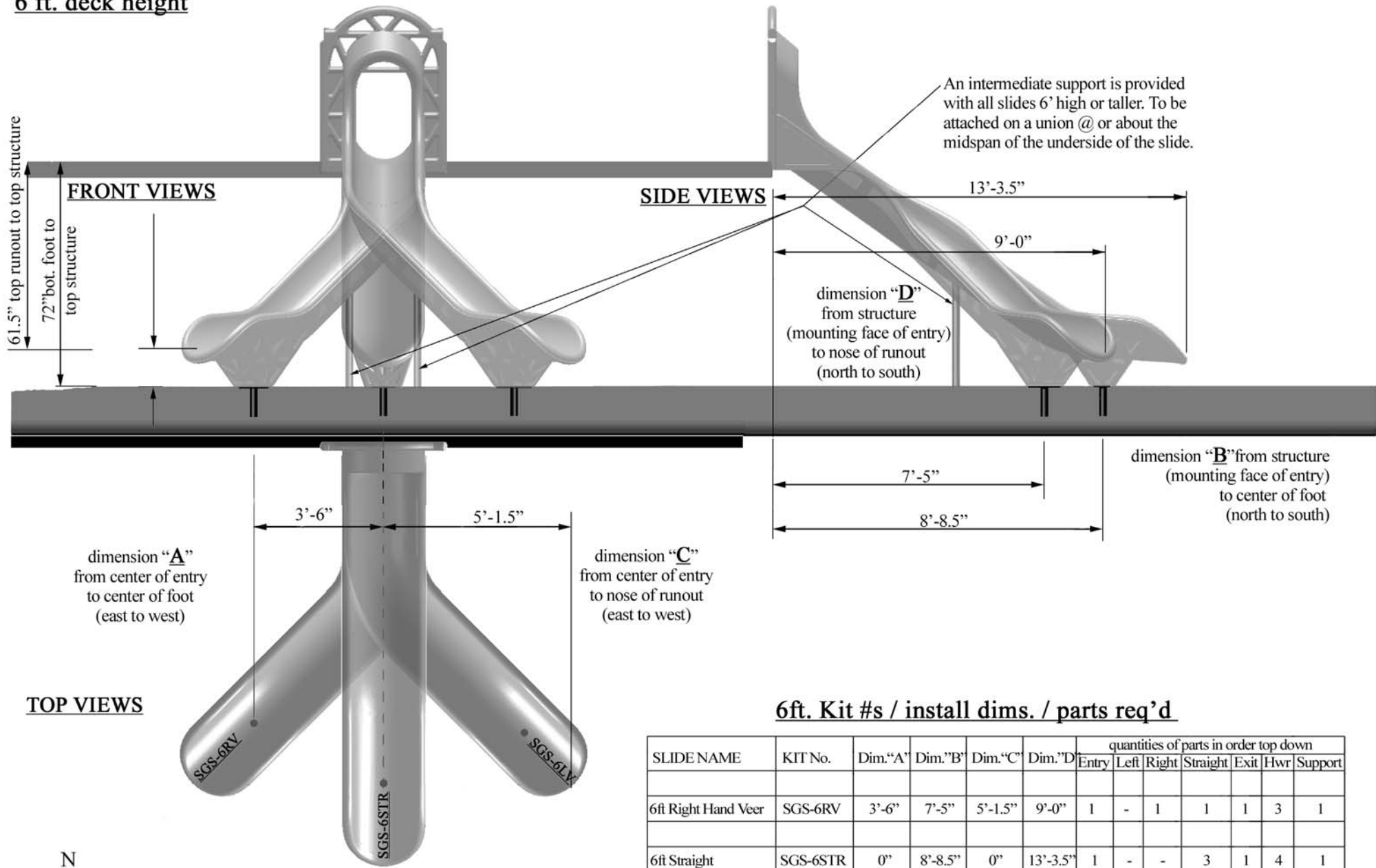
5ft. Kit #s / install dims. / parts req'd

SLIDE NAME	KIT No.	Dim."A"	Dim."B"	Dim."C"	Dim."D"	quantities of parts in order top down					
						Entry	Left	Right	Straight	Runout	Joint
5ft Right Hand Veer	SGS-5RV	2'-6"	6'-5"	4'-1"	8'-0"	1	-	1	-	1	2
5ft Straight	SGS-5STR	0"	7'-7"	0"	10'-1.5"	1	-	-	2	1	3
5ft Left Hand Veer	SGS-5LV	2'-6"	6'-5"	4'-1"	8'-0"	1	1	-	-	1	2



**Star Gate Sectional Slide
Configurations from
6 ft. deck height**

6ft Slides



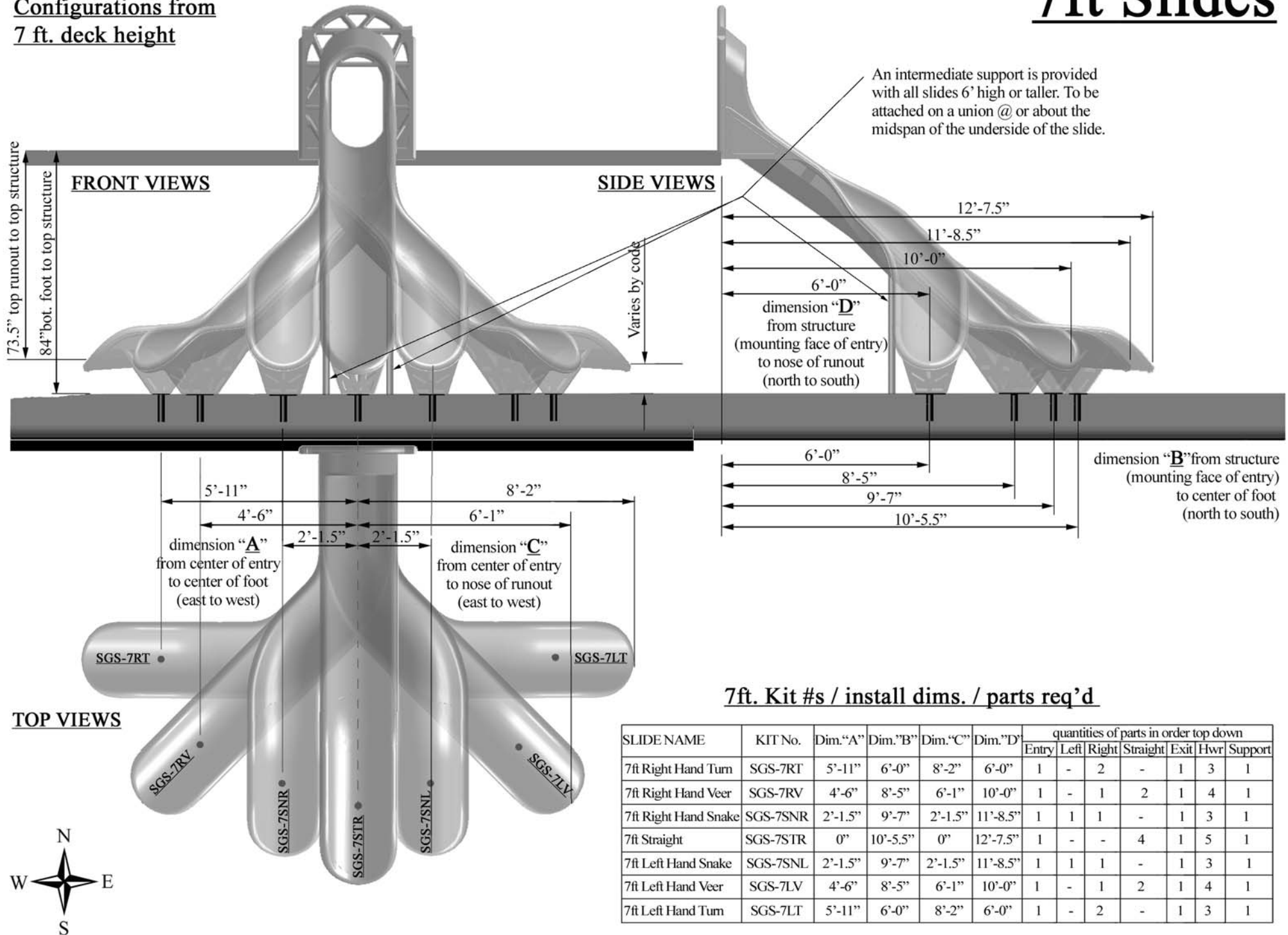
6ft. Kit #s / install dims. / parts req'd

SLIDE NAME	KIT No.	Dim."A"	Dim."B"	Dim."C"	Dim."D"	quantities of parts in order top down						
						Entry	Left	Right	Straight	Exit	Hwr	Support
6ft Right Hand Veer	SGS-6RV	3'-6"	7'-5"	5'-1.5"	9'-0"	1	-	1	1	1	3	1
6ft Straight	SGS-6STR	0"	8'-8.5"	0"	13'-3.5"	1	-	-	3	1	4	1
6ft Left Hand Veer	SGS-6LV	3'-6"	7'-5"	5'-1.5"	9'-0"	1	1	-	1	1	3	1



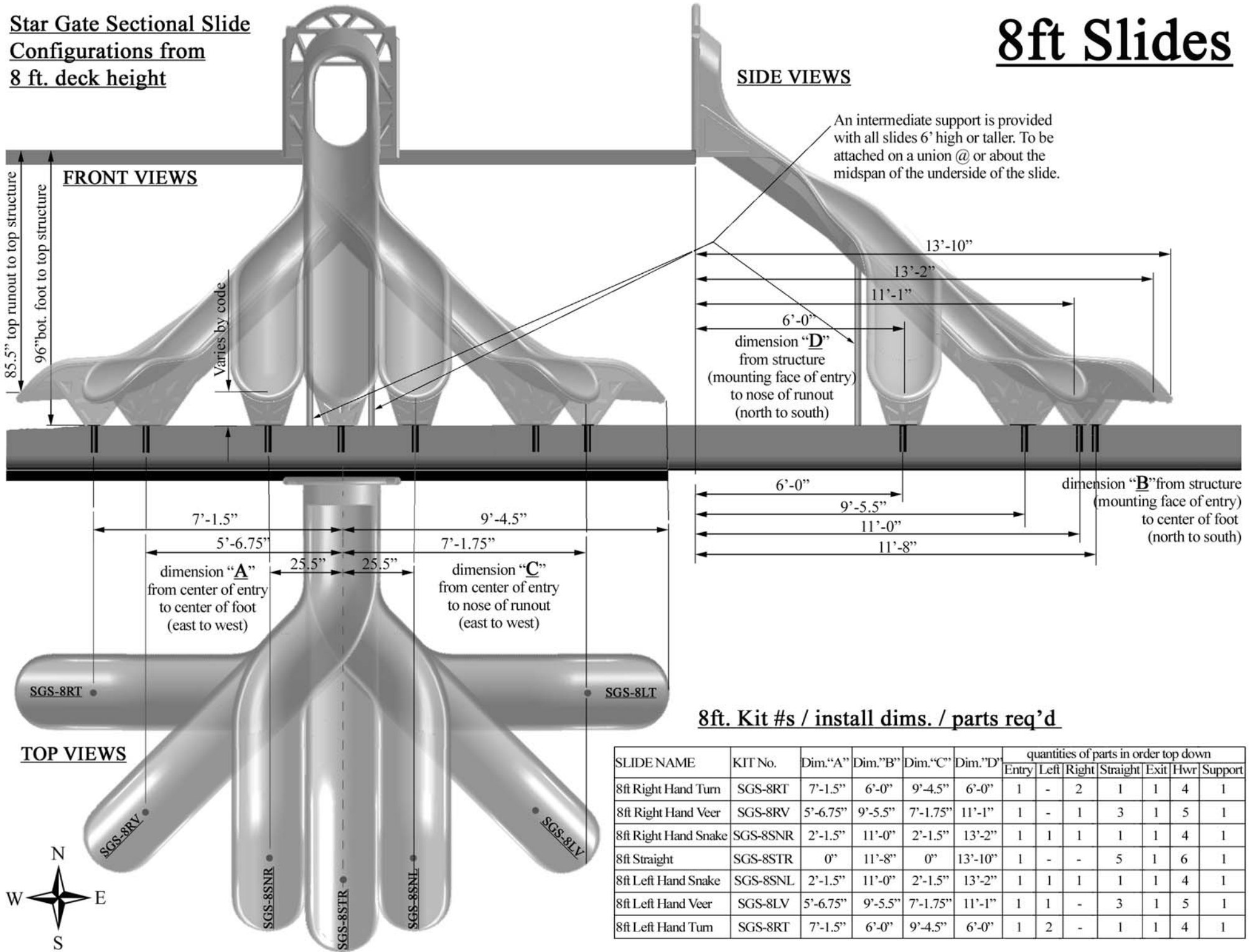
**Star Gate Sectional Slide
Configurations from
7 ft. deck height**

7ft Slides



Star Gate Sectional Slide Configurations from 8 ft. deck height

8ft Slides

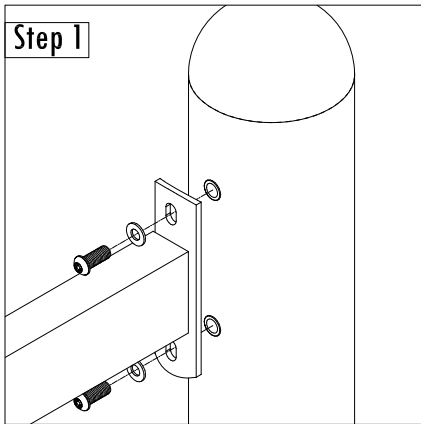
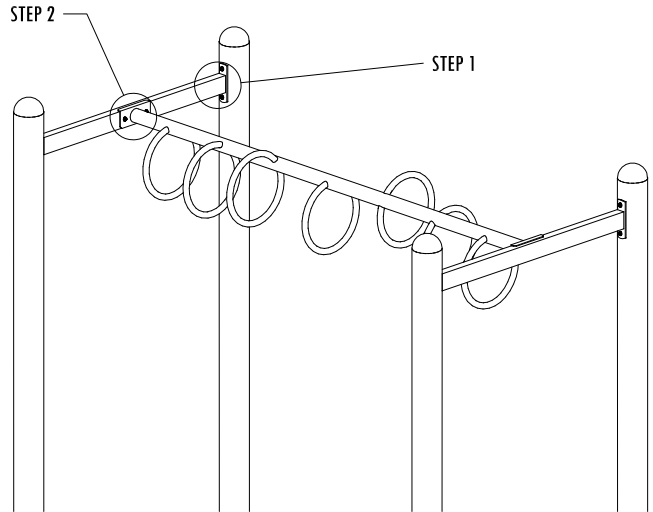


This Instruction Applies To The Following Modules :

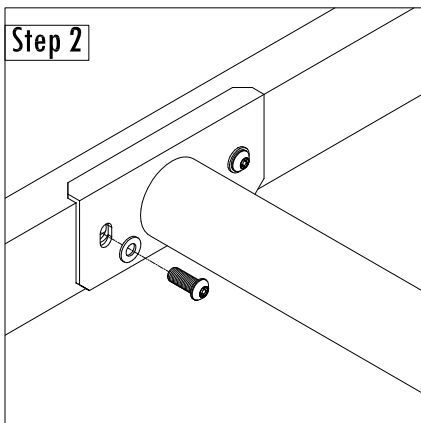
- | | |
|------------------------------------|---------------------------------------|
| OH006 Loop Challenge | OH046 Snaky Loop Challenge - Left |
| OH008 Loop To Loop | OH047 Snaky Trapeze Challenge - Right |
| OH012 Trapeze Challenge | OH048 Snaky Trapeze Challenge - Left |
| OH026 Zipper | OH055 90 Degree Trapeze Challenge |
| OH027 Rippled Zipper | OH060 Triangle Rung Overhead |
| OH031 90 Degree Loop Challenge | OH601 6' Loop-to-Loop |
| OH040 Single Snake Rail Challenge | OH603 6' Triangle Rung Overhead |
| OH045 Snaky Loop Challenge - Right | |

Parts List

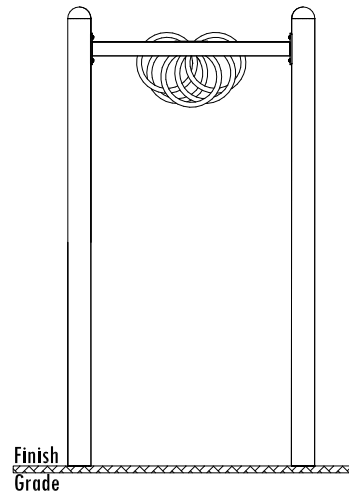
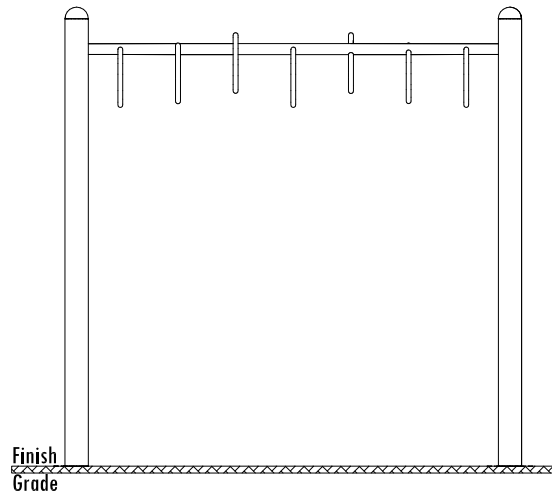
- 1 Overhead Activity
- 2 OHE04300 Overhead Support Bar
- 12 2T-0604 - Button Cap Torx w/ Pin 3/8" x 1"
- 12 5F-0500 - Flat Washer 5/16" S/S w/ 3/8" Hole



1" Button Cap, Flat Washer (x8)



1" Button Cap, Flat Washer (x4)



PLAYSTEEL SQ N/A	PLAYSTEEL MAX B5-OH006-01 B5-OH046-00 B5-OH008-01 B5-OH047-00 B5-OH012-01 B5-OH048-00 B5-OH026-01 B5-OH055-00 B5-OH027-00 B5-OH060-00 B5-OH031-01 B5-OH601-00 B5-OH040-00 B5-OH603-00 B5-OH045-00	PLAYSTEEL FIT B3-OH006-00 B3-OH048-00 B3-OH008-00 B3-OH060-00 B3-OH012-00 B4-OH006-00 B4-OH047-00 B3-OH026-02 B4-OH008-00 B4-OH048-00 B3-OH031-01 B4-OH012-01 B4-OH060-00 B3-OH045-00 B4-OH031-01 B3-OH046-00 B4-OH045-00 B3-OH047-00 B4-OH046-00	ORBIS N/A	PLAYTOTS N/A	PAGE 1 OF 1
---------------------	---	---	--------------	-----------------	-------------