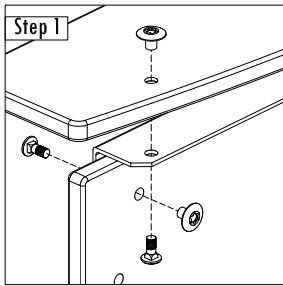
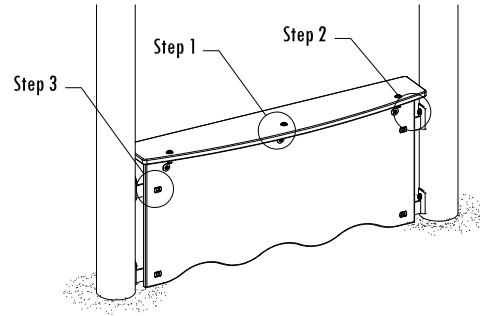
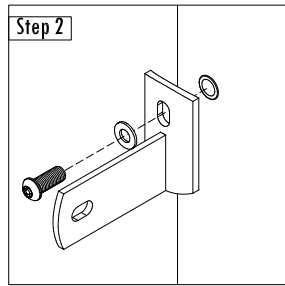


### Parts List

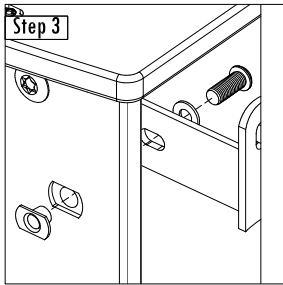
- 4 BRK004000 Sheet Plastic Bracket
- 1 SHP00700 PlayCounter Panel
- 1 SHP01300 PlayCounter Top
- 1 PlayCounter Bracket
  
- 6 1C-0503 - Carriage Bolt 5/16" x 3/4"
- 8 2T-0604 - Button Cap Torx w/ Pin 3/8" x 1"
- 6 4C-0500 - Camtainer Nut 5/16"
- 4 4D-0600 - T Nut 3/8" x 3/4"
- 8 5F-0500 - Flat Washer 5/16" S/S w/ 3/8" Hole



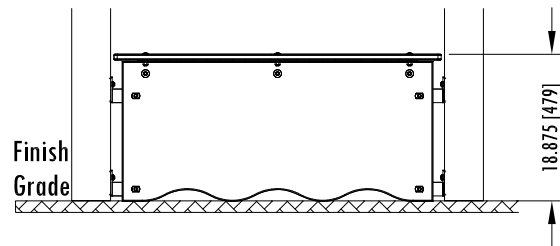
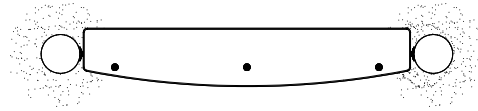
3/4" Carriage Bolt, Camtainer Nut (x6)



1" Button Cap, Flat Washer (x4)

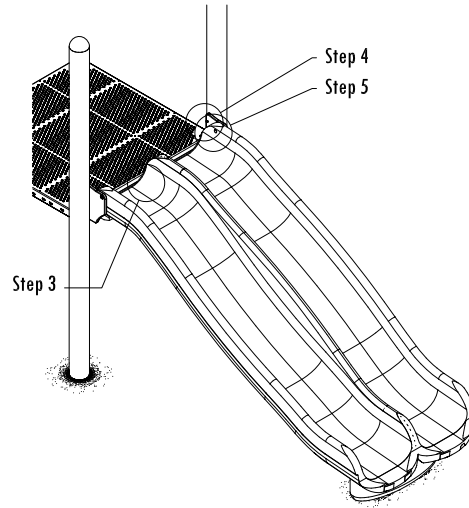


1" Button Cap, Flat Washer, T Nut (x4)

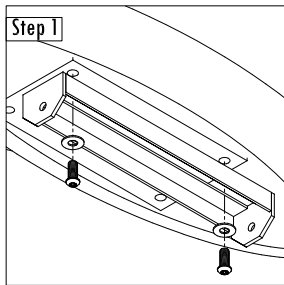


### Parts List

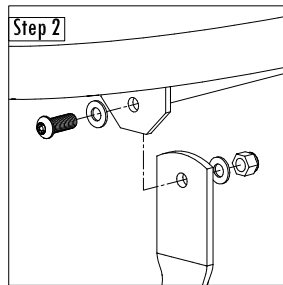
- 1 PSL02300 4' Double Scoop Poly Slide
- 1 GND00100 Universal Ground Leg Mount
- 2 GND00200 Universal Ground Leg
- 2 SHP04900 Plastic String Guard
  
- 2 1C-0512 - Carriage Bolt 5/16" x 3"
- 4 2T-0604 - Button Cap Torx w/ Pin 3/8" x 1"
- 4 2T-0606 - Button Cap Torx w/ Pin 3/8" x 1-1/2"
- 3 2T-0608 - Button Cap Torx w/ Pin 3/8" x 2"
- 2 4C-0500 - Camtainer Nut 5/16"
- 2 4L-0600 - Lock Nut w/ Nylon Locking 3/8"
- 13 5F-0500 - Flat Washer 5/16" S/S w/ 3/8" Hole



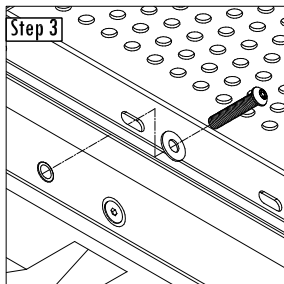
### DECK HOLES USED



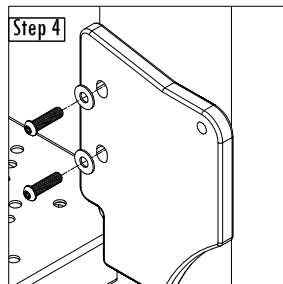
1" Button Cap Torx, Flat Washer (x2)



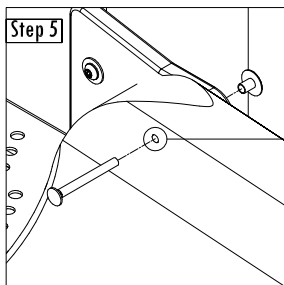
1" Button Cap Torx, Flat Washer, Lock Nut (x2)



2" Button Cap Torx, Flat Washer (x3)

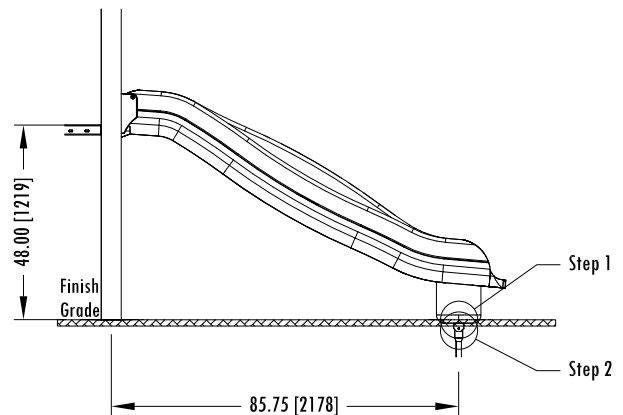
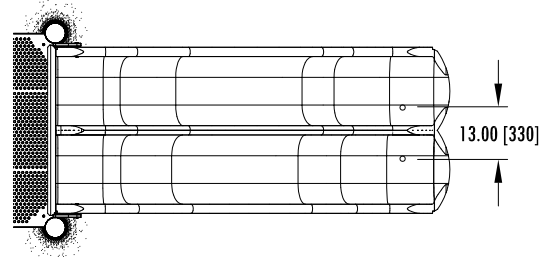


1-1/2" Button Cap Torx, Flat Washer (x4)



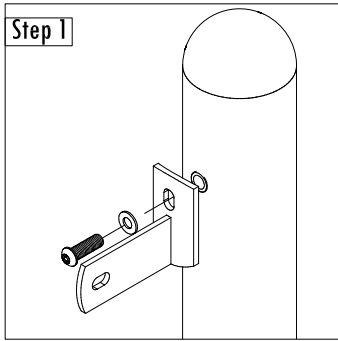
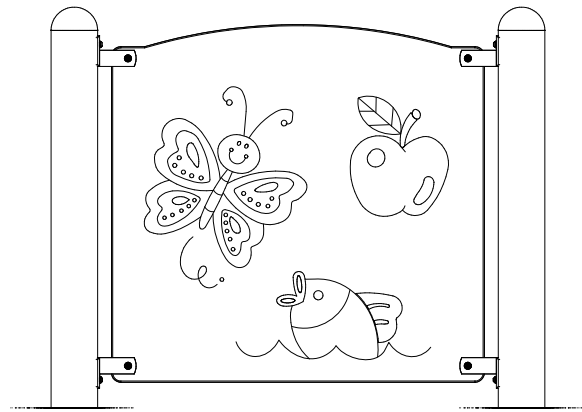
3" Carriage Bolt, Camtainer Nut (x2)

Drill 7/16" Hole Through Slide (Drill From Outside In, Using String Guard as Guide)

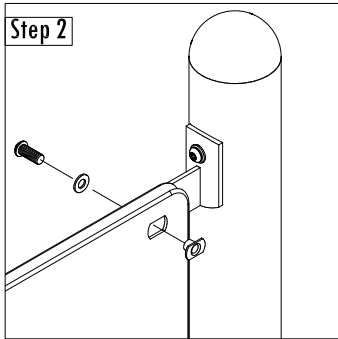


### Parts List

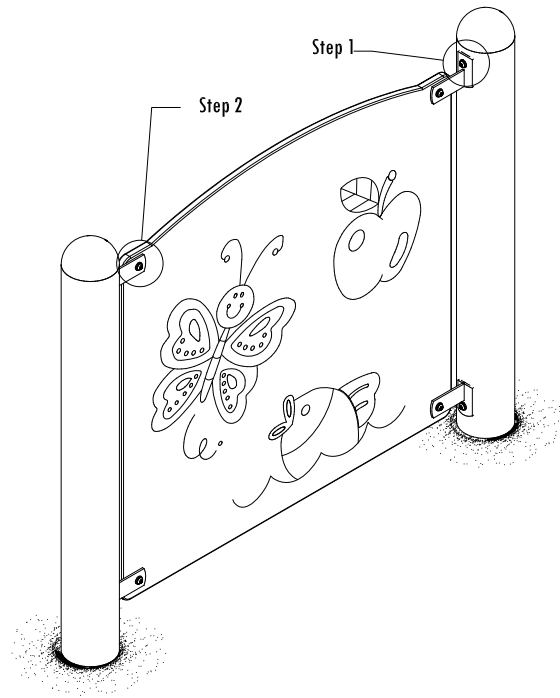
- 1 Sheet Plastic Panel
- 4 BRK00400 Sheet Plastic Bracket
- 8 2T-0604 - Button Cap Torx w/ Pin 3/8" x 1"
- 4 4D-0600 - T Nut 3/8"
- 8 5F-0500 - Flat Washer 5/16" S/S w/ 3/8" Hole



1" Button Cap, Flat Washer (x4)



1" Button Cap, Flat Washer, T Nut (x4)



**PLAYSTEEL MAX**

B5-AP002-01	B5-AP017-01	B5-AP036-01	B5-AP067-01	B5-AP084-01	B5-AP111-01	B5-AP129-00	B5-AP146-01	B5-AP156-00
B5-AP004-01	B5-AP019-01	B5-AP037-01	B5-AP068-01	B5-AP086-01	B5-AP114-01	B5-AP130-01	B5-AP150-00	B5-AP157-00
B5-AP006-01	B5-AP021-01	B5-AP058-01	B5-AP069-01	B5-AP093-00	B5-AP116-01	B5-AP132-01	B5-AP151-00	B5-AP163-00
B5-AP010-01	B5-AP023-01	B5-AP059-01	B5-AP072-01	B5-AP096-01	B5-AP118-01	B5-AP139-01	B5-AP152-00	
B5-AP013-01	B5-AP027-01	B5-AP062-01	B5-AP078-01	B5-AP104-01	B5-AP119-01	B5-AP143-01	B5-AP153-00	
B5-AP015-01	B5-AP034-01	B5-AP064-01	B5-AP080-01	B5-AP108-01	B5-AP121-01	B5-AP145-01	B5-AP154-00	

**This Instruction Applies To The Following Modules :**

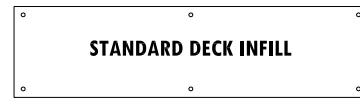
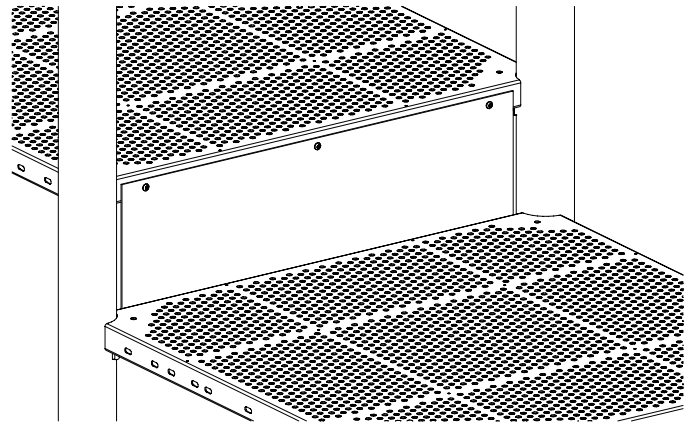
IN001	Infill Panel 6"	IN011	Infill Panel 8"
IN002	Infill Panel 12"	IN012	Infill Panel 8" - Split Deck
IN004	Infill Panel 24"	IN013	Infill Panel 48"
IN006	Infill Panel 36"	IN014	Infill Panel 16"
IN008	Infill Panel 12" - Split Deck	IN015	Infill Panel 6" - Split Deck

**Parts List**

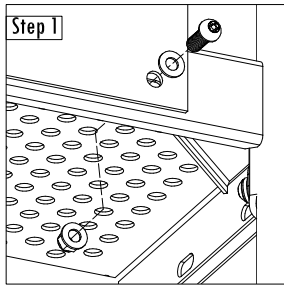
- 1 Steel Infill Panel
- 6 2T-0604 - Button Cap Torx w/ Pin 3/8" x 1"
- 6 4N-0600 - Locking Flange Nut 3/8"
- 6 5F-0500 - Flat Washer 5/16" S/S w/ 3/8" Hole

**Installation Notes**

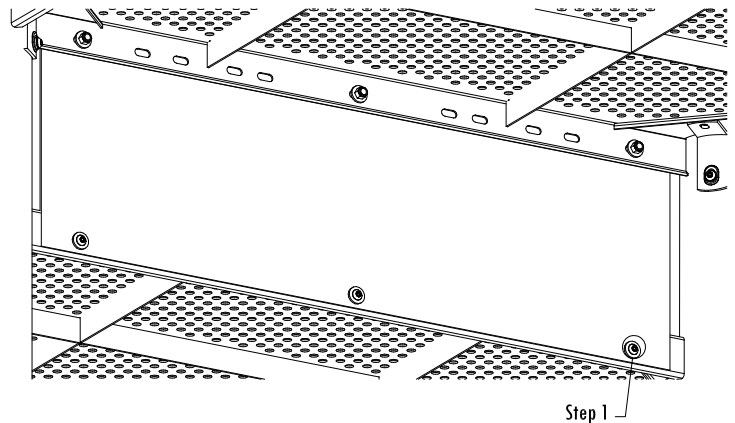
6", 8", 12", 16", 24", 36", and 48" infills are to be installed between decks with a 6", 8", 12", 16", 24", 36" and 48" height difference, respectively.  
 Infill Panels come in 2 different widths depending on deck configurations. See Diagram to the right for proper configuration sizes.



**DECK HOLES USED**



1" Button Cap Torx, Flat Washer, Locking Flange Nut (x6)

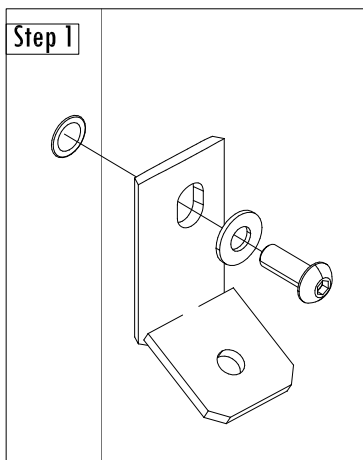
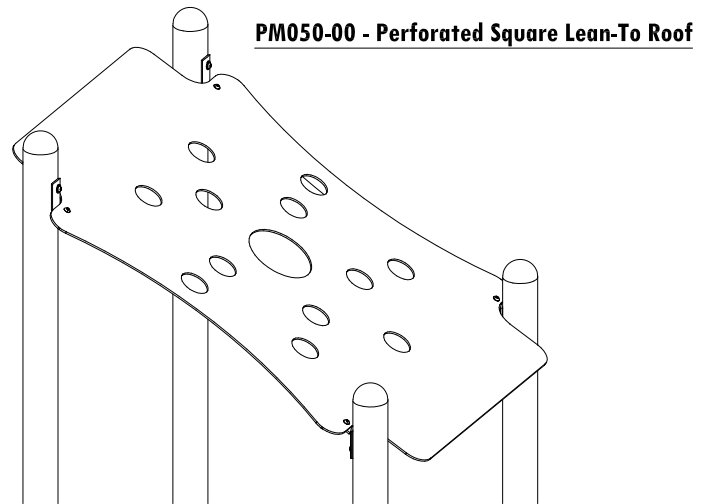


**OFFICE USE ONLY**

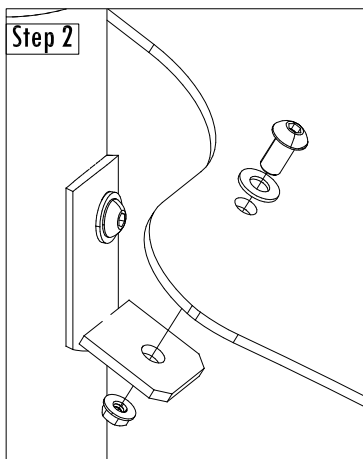
PLAYSTEEL SQ N/A	PLAYSTEEL MAX B5-IN001-01 B5-IN002-01 B5-IN004-01 B5-IN006-01 B5-IN008-01 B5-IN011-01 B5-IN012-00 B5-IN013-01	B5-IN014-01 B5-IN015-01	PLAYSTEEL FIT B3-IN001-01 B3-IN002-01 B3-IN004-01 B3-IN006-01 B3-IN008-01 B3-IN011-01 B3-IN012-00 B3-IN013-01	B3-IN014-01 B3-IN015-01 B4-IN002-01	ORBIS N/A	PLAYTOTS N/A	PAGE 1 OF 1
---------------------	---	----------------------------	---	---	--------------	-----------------	-------------

### Parts List

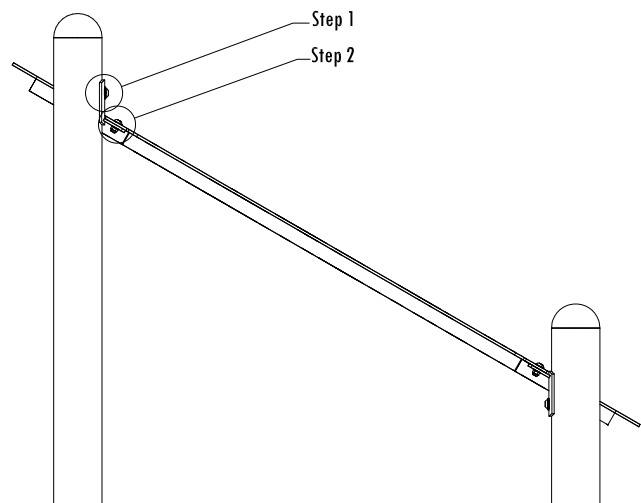
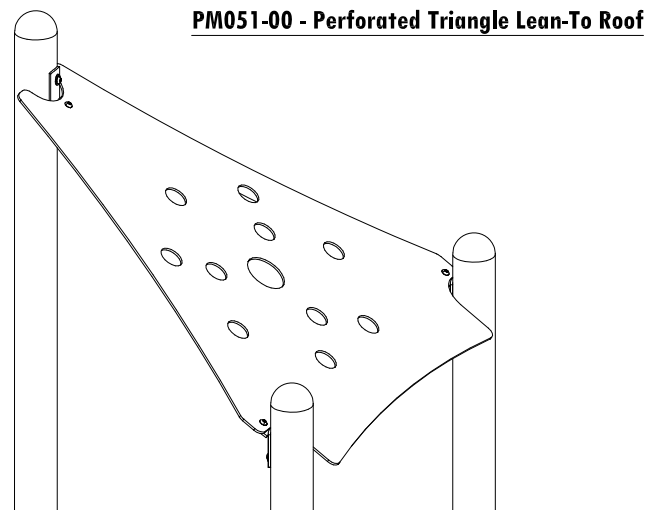
- 1 Lean-To Roof
- 3-4 Lean-To Roof Bracket
  
- 6-8 2T-0604 Button Cap Torx w/ Pin 3/8" x 1"
- 3-4 4L-0600 Lock Nut w/ Nylon Locking 3/8"
- 9-12 5F-0500 Flat Washer 5/16" S/S w/ 3/8" Hole



1" Button Cap, Flat Washer (x3 or 4)

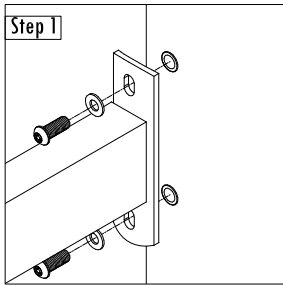
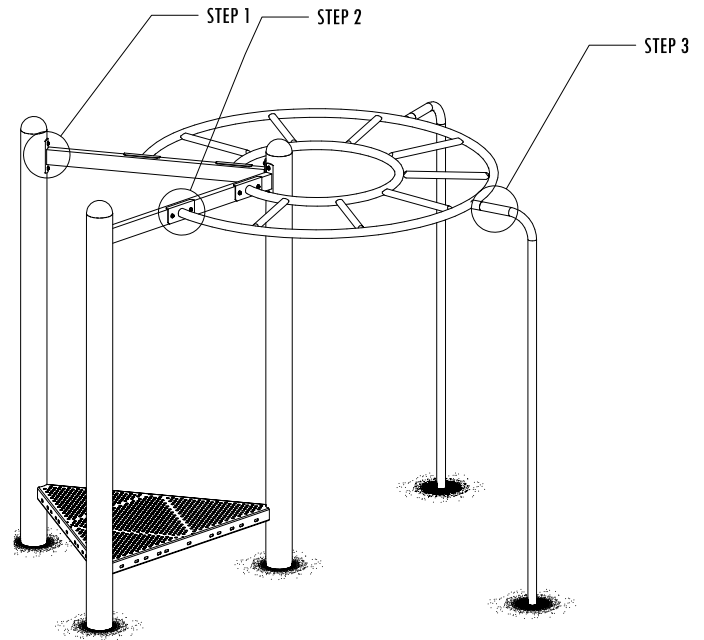


1" Button Cap, Flat Washer,  
Lock Nut (x3 or 4)

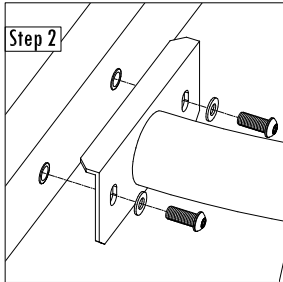


### Parts List

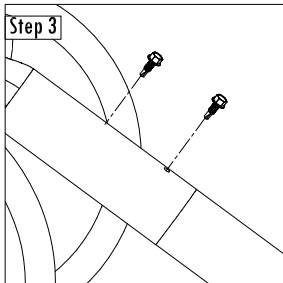
- 1 OHE73100 300° Overhead
- 2 OHE73200 300° Ground Leg
- 2 OHE73300 300° Overhead Support Bars
  
- 16 2T-0604 - Button Cap Torx w/ Pin 3/8" x 1"
- 4 3V-0603 - Self Tapping Screw 3/8" x 3/4"
- 16 5F-0500 - Flat Washer 5/16" S/S w/ 3/8" Hole



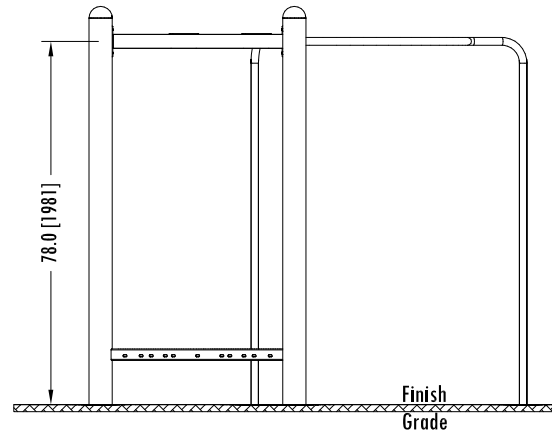
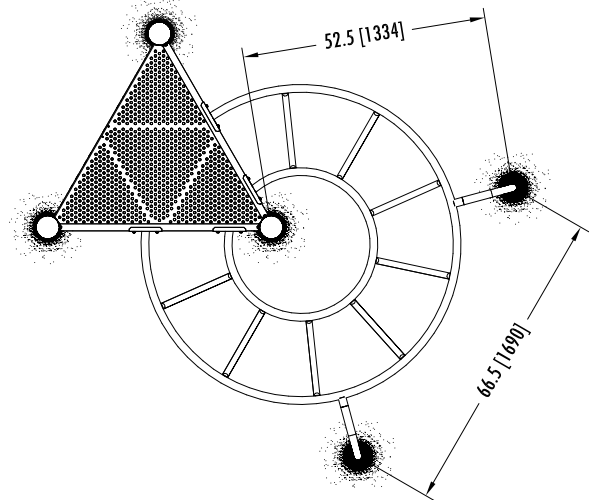
1" Button Cap, Flat Washer (x8)



1" Button Cap, Flat Washer (x8)



3/4" Self Tapping Screw (x4)



**This Instruction Applies To The Following Modules :**

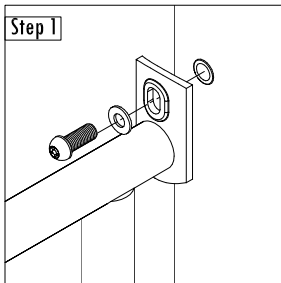
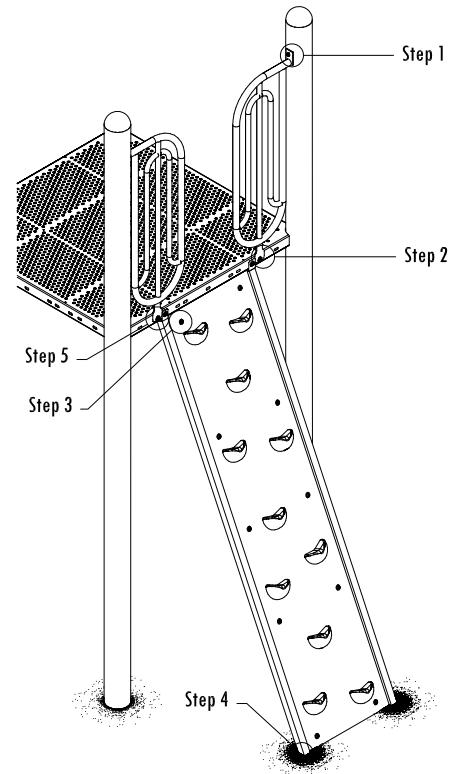
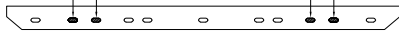
- |       |                     |       |                     |
|-------|---------------------|-------|---------------------|
| CB333 | Rockwall Climber 3' | CB336 | Rockwall Climber 6' |
| CB334 | Rockwall Climber 4' | CB337 | Rockwall Climber 7' |
| CB335 | Rockwall Climber 5' |       |                     |

**Parts List**

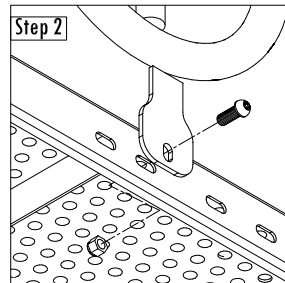
- |           |          |                                  |
|-----------|----------|----------------------------------|
| <b>1</b>  |          | Climber Frame                    |
| <b>1</b>  |          | Rockwall Climber Sheet           |
| <b>2</b>  | BPN00200 | Safety Rail                      |
| <b>2</b>  | GND00200 | Universal Ground Leg             |
| <b>20</b> | 2T-0604  | Button Cap Torx w/ Pin 3/8" x 1" |
| <b>8</b>  | 4L-0600  | Lock Nut w/ Nylon Locking 3/8"   |
| <b>10</b> | 4S-0604  | Spenco Nut 3/8" x 1"             |
| <b>28</b> | 5F-0500  | Flat Washer 5/16"                |
| <b>10</b> | 5F-0800  | Flat Washer 1/2"                 |

\* Quantities are shown for a 7' climber.

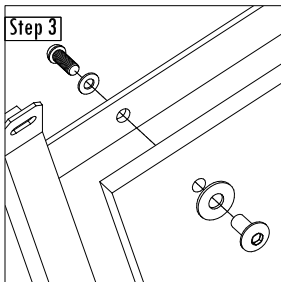
**DECK HOLES USED**



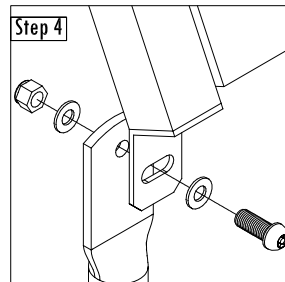
1" Button Cap Torx, Flat Washer (x2)



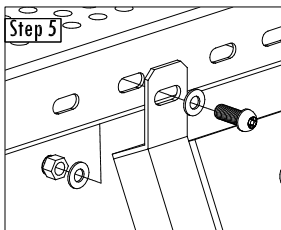
1" Button Cap Torx, Flat Washer, Lock Nut (x2)



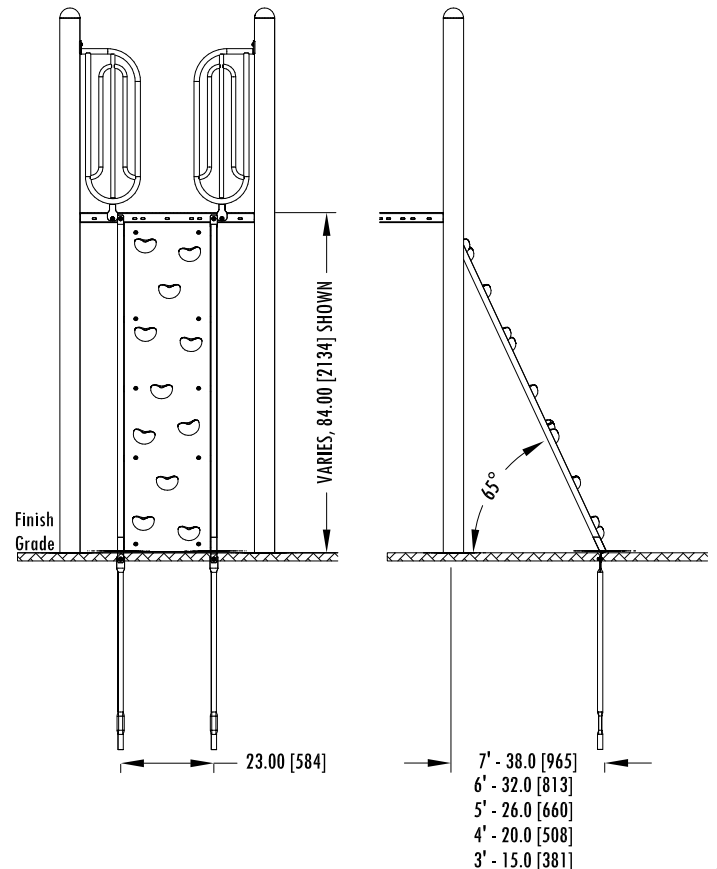
1" Torx, 5/16" Flat Washer, 1/2" Flat Washer, Spenco Nut (x10)



1" Button Cap Torx, Flat Washer, Lock Nut (x2)



1" Button Cap Torx, Flat Washer, Lock Nut (x2)  
Mounted to outside face only.



**OFFICE USE ONLY**

PLAYSTEEL SQ  
N/A

PLAYSTEEL MAX  
B5-CB333-02  
B5-CB334-02  
B5-CB335-02  
B5-CB336-02  
B5-CB337-02

PLAYSTEEL FIT  
B3-CB333-02 B4-CB333-02  
B3-CB334-02 B4-CB334-02  
B3-CB335-02 B4-CB335-02  
B3-CB336-02 B4-CB336-02  
B3-CB337-02 B4-CB337-02

ORBS  
N/A

PLAYTOTS  
N/A

**This Instruction Applies To The Following Modules :**

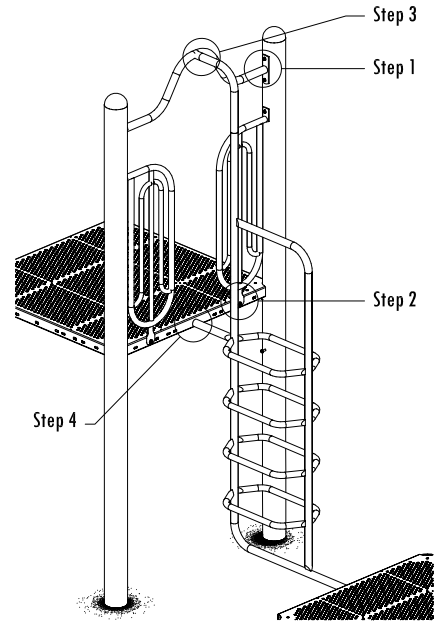
- LK013 Mineshaft Link 3'
- LK014 Mineshaft Link 4'

**Parts List**

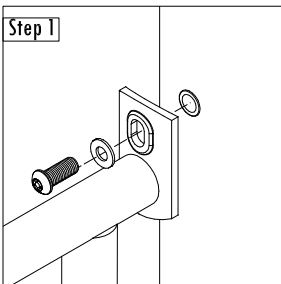
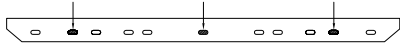
- 1 Link Connector
- 2 Safety Railing
- 1 Mineshaft Link
  
- 8 2T-0604 - Button Cap Torx w/ Pin 3/8" x 1"
- 3 2T-0610 - Button Cap Torx w/ Pin 3/8" x 2-1/2"
- 2 4N-0600 - Locking Flange Nut 3/8"
- 11 5F-0500 - Flat Washer 5/16" S/S w/ 3/8" Hole

**Note :**

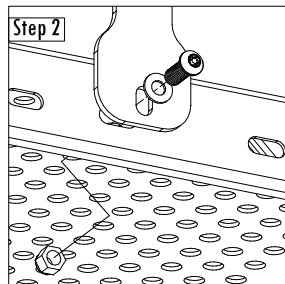
Depending on lower deck height, grab bars or safety rails will be included. Please see corresponding installation instruction for assembly detail.



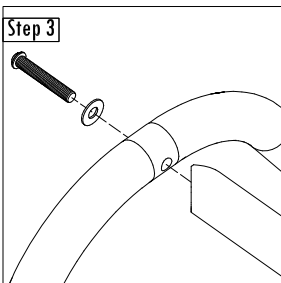
**DECK HOLES USED**



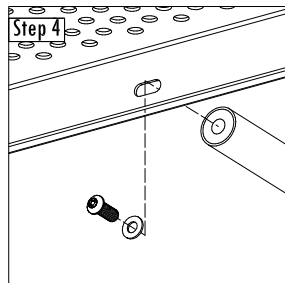
1" Button Cap Torx, Flat Washer (x2)



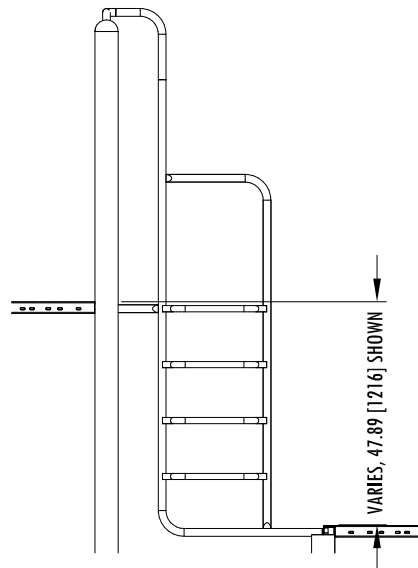
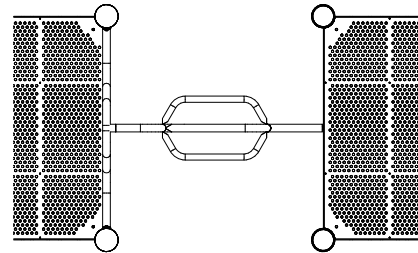
1" Button Cap Torx, Flat Washer, Locking Flange Nut (x2)



2-1/2" Button Cap Torx, Flat Washer, Lock Nut (x1)



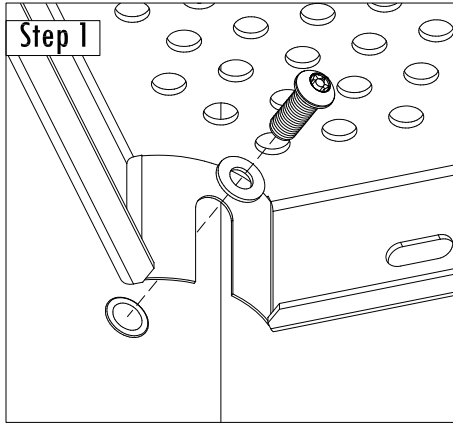
2-1/2" Button Cap Torx, Flat Washer (x2)



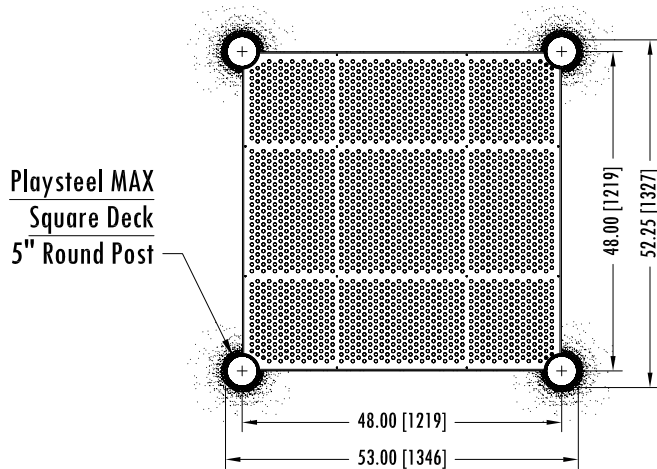
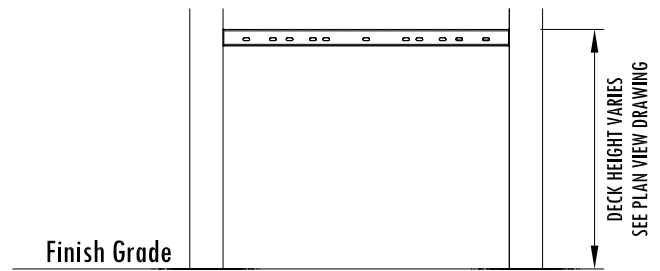
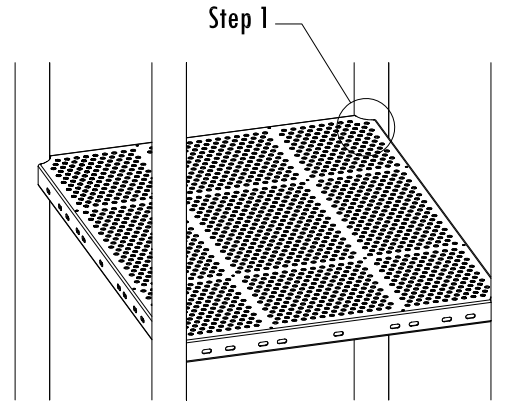


### Parts List

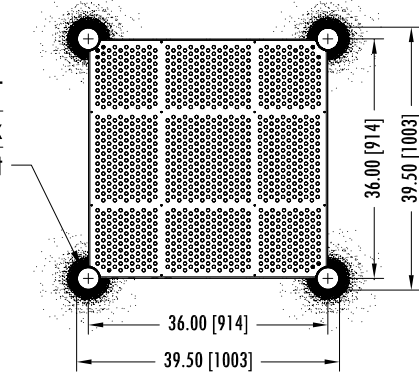
1		Deck
4	2T-0604	Button Cap Torx w/ Pin 3/8" x 1"
4	5F-0500	Flat Washer 5/16" S/S w/ 3/8" Hole



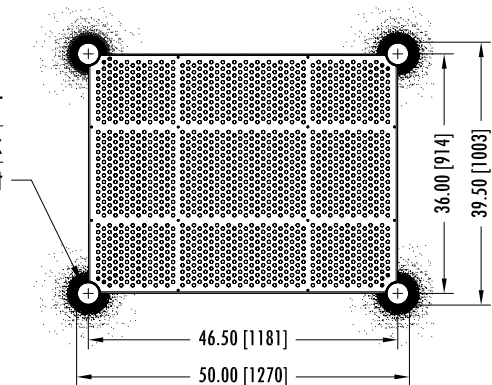
1" Button Cap, Flat Washer (x4)



**Playsteel FIT**  
Square Deck  
3.5" Round Post

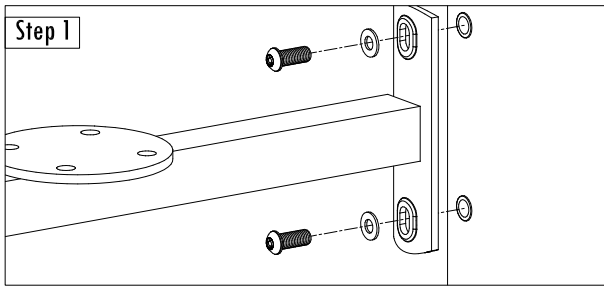
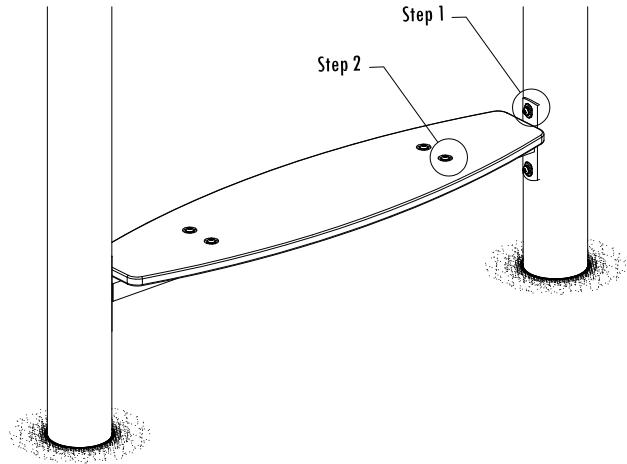


**Playsteel FIT**  
Rectangle Deck  
3.5" Round Post

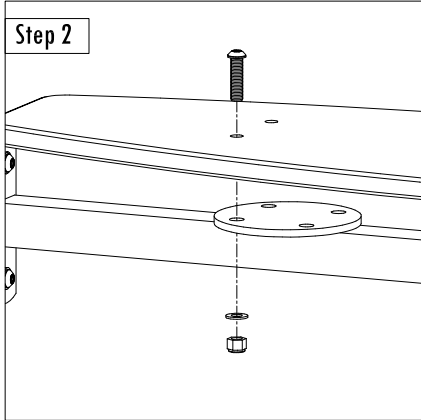


### Parts List

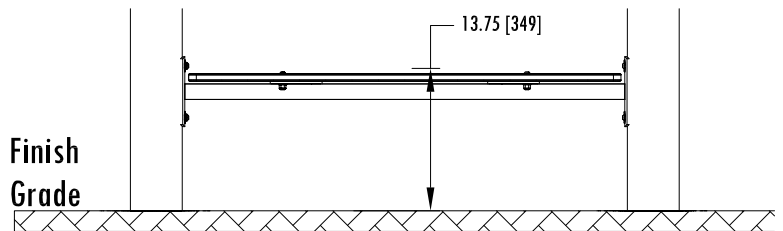
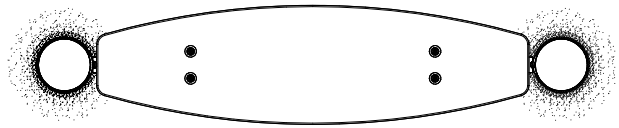
- 1 FRM01500 Double Pod Seat Frame
- 1 SHP04100 PlaySeat Plastic
  
- 4 2T-0604 - Button Cap Torx w/ Pin 3/8" x 1"
- 4 2T-0606 - Button Cap Torx w/ Pin 3/8" x 1-1/2"
- 4 4L-0600 - Lock Nut w/ Nylon Locking 3/8"
- 12 5F-0500 - Flat Washer 5/16" S/S w/ 3/8" Hole



1" Button Cap, Flat Washer (x4)

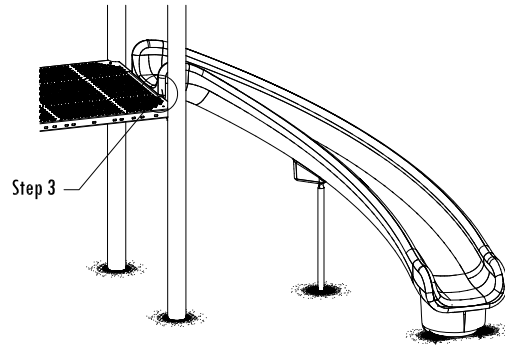


1-1/2" Button Cap, Flat Washers, Lock Nut (x4)

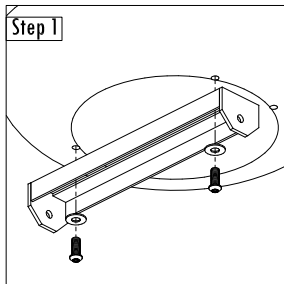
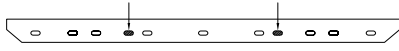


### Parts List

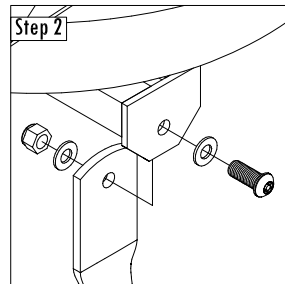
- 1 PSL03300 The Big Curve Twister Slide 5'
- 1 GND00100 Universal Ground Leg Mount
- 2 GND00200 Universal Ground Leg
- 1 GND01500 Slide Mid Support Mount
- 1 GND08300 Twister Slide Mid Support Leg
  
- 7 2T-0604 - Button Cap Torx w/ Pin 3/8" x 1"
- 2 2T-0608 - Button Cap Torx w/ Pin 3/8" x 2"
- 3 4L-0600 - Lock Nut w/ Nylon Locking 3/8"
- 12 5F-0500 - Flat Washer 5/16" S/S w/ 3/8" Hole



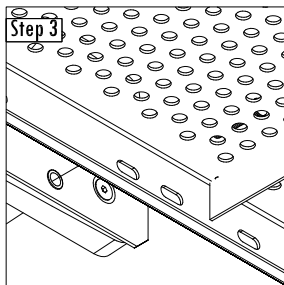
### DECK HOLES USED



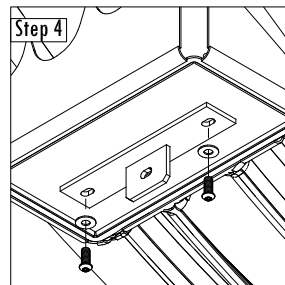
1" Button Cap Torx, Flat Washer (x2)



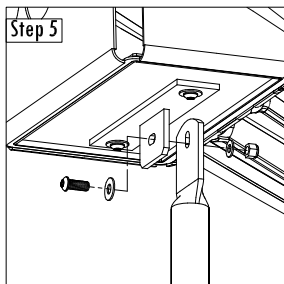
1" Button Cap Torx, Flat Washers, Lock Nut (x2)



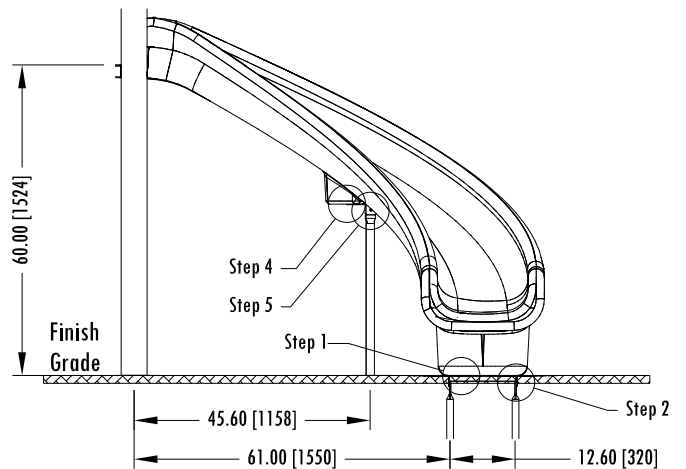
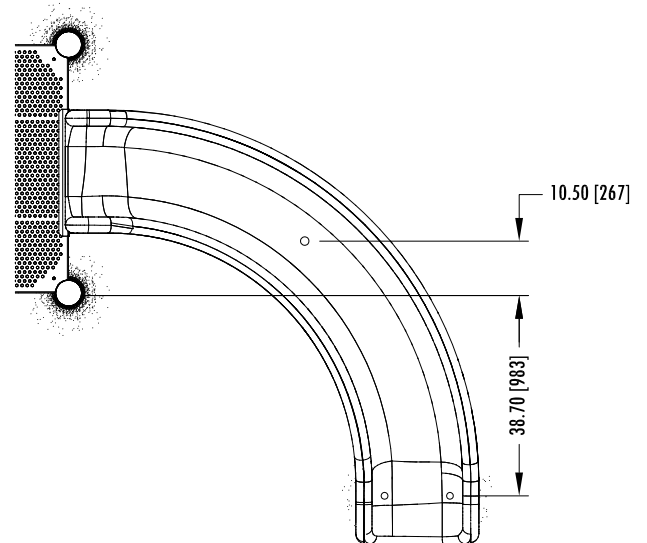
2" Button Cap Torx, Flat Washer (x2)



1" Button Cap Torx, Flat Washer (x2)

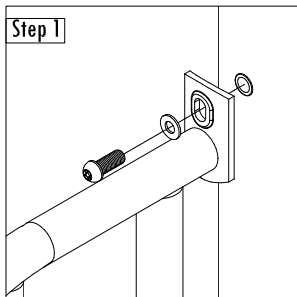
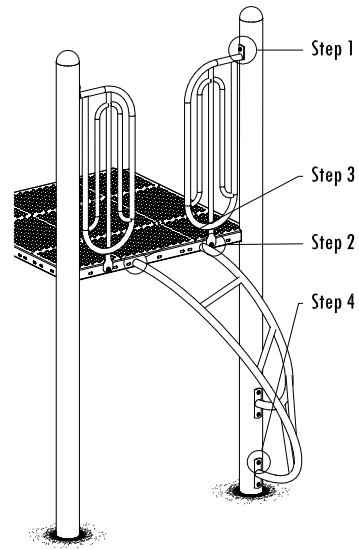


1" Button Cap Torx, Flat Washers, Lock Nut

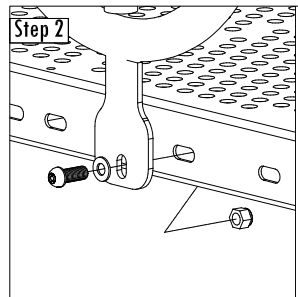


### Parts List

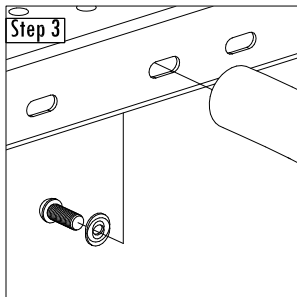
- 1 Twisted Arch Climber
- 2 Safety Railing
- 8 2T-0604 - Button Cap Torx w/ Pin 3/8" x 1"
- 2 2T-0610 - Button Cap Torx w/ Pin 3/8" x 2-1/2"
- 2 4L-0600 - Lock Nut w/ Nylon Locking 3/8"
- 10 5F-0500 - Flat Washer 5/16" S/S w/ 3/8" Hole



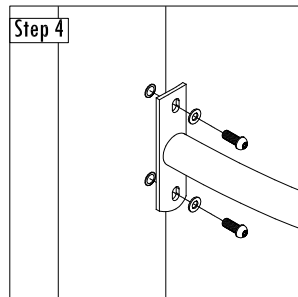
Step 1  
1" Button Cap Torx, Flat Washer (x2)



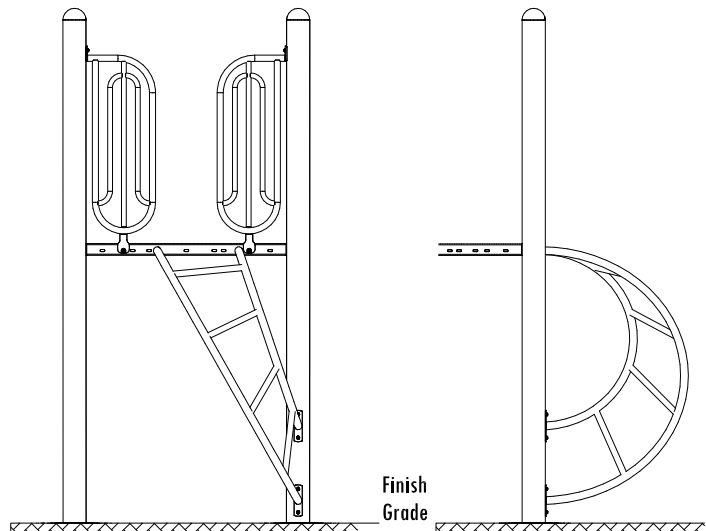
Step 2  
1" Button Cap Torx, Flat Washer, Lock Nut (2)



Step 3  
2" Button Cap Torx, Flat Washer (x2)



Step 4  
1" Button Cap Torx, Flat Washer (x4)



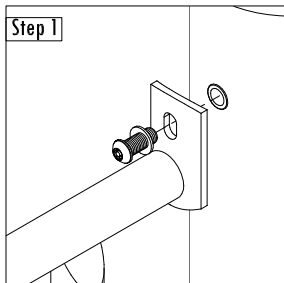
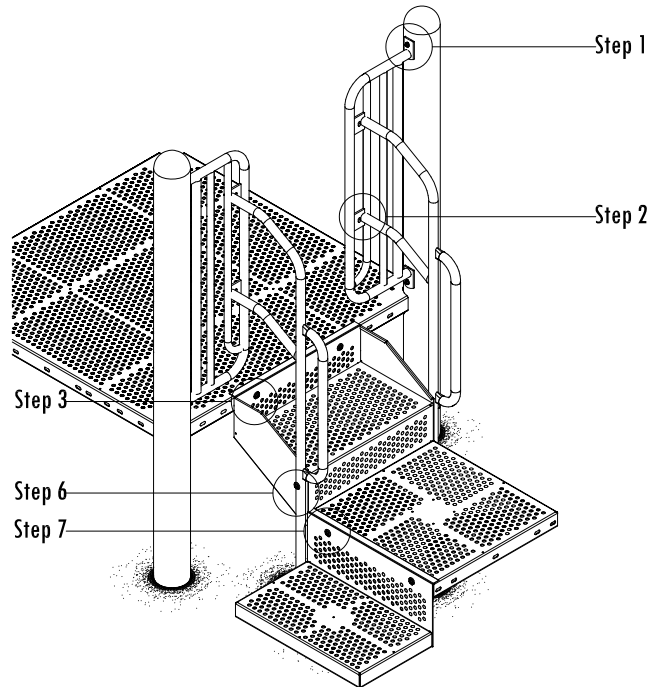
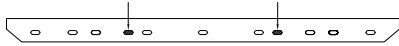
**This Instruction Applies To The Following Modules :**

- ST092 & ST102 - Transfer Station 2FT
- ST093 & ST103 - Transfer Station 3FT
- ST094 & ST104 - Transfer Station 4FT
- ST095 & ST105 - Transfer Station 5FT

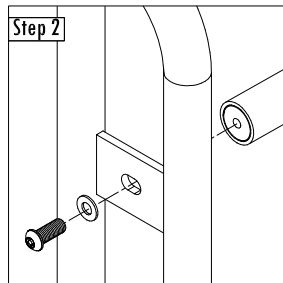
**Parts List**

2	GND10000	Transfer Station Ground Leg
2	HDR01300	Stair Barrier Rail- Upper 16"
2		Transfer Step Handrails
1	DCK02500	Transfer Deck
1		Accessible Stair
1	STR03500	Transfer Station Step
24	2T-0604	Button Cap Torx w/Pin 3/8" x 1"
2	2T-0608	Button Cap Torx w/Pin 3/8" x 2"
2	4L-0600	Lock Nut w/ Nylon Locking 3/8"
16	4N-0600	Locking Flange Nut 3/8"
26	5F-0500	Flat Washer 5/16" S/S w/ 3/8" Hole

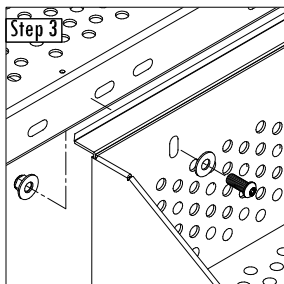
**DECK HOLES USED**



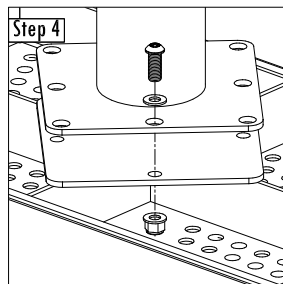
Step 1  
1" Button Cap Torx, Flat Washer (x4)



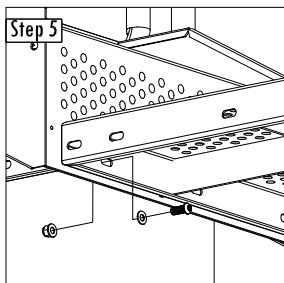
Step 2  
1" Button Cap Torx, Flat Washer (x4)



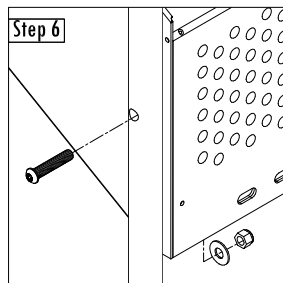
Step 3  
1" Button Cap Torx, Flat Washers, Locking Flange Nut (x2)



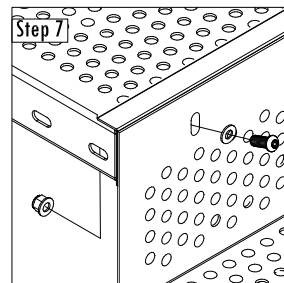
Step 4  
1" Button Cap Torx, Flat Washers, Locking Flange Nut (x8)



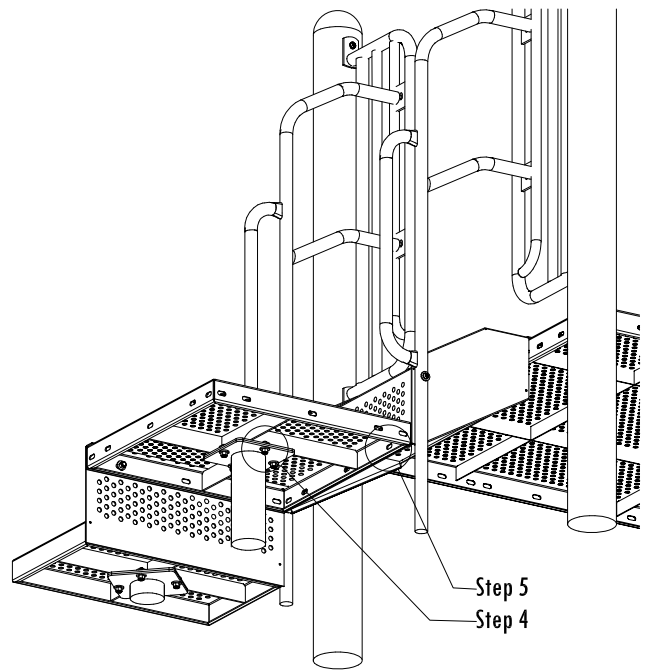
Step 5  
1" Button Cap Torx, Flat Washers, Locking Flange Nut (x2)



Step 6  
2" Button Cap Torx, Flat Washer, Lock Nut (x2)



Step 7  
1" Button Cap Torx, Flat Washers, Locking Flange Nut (x2)

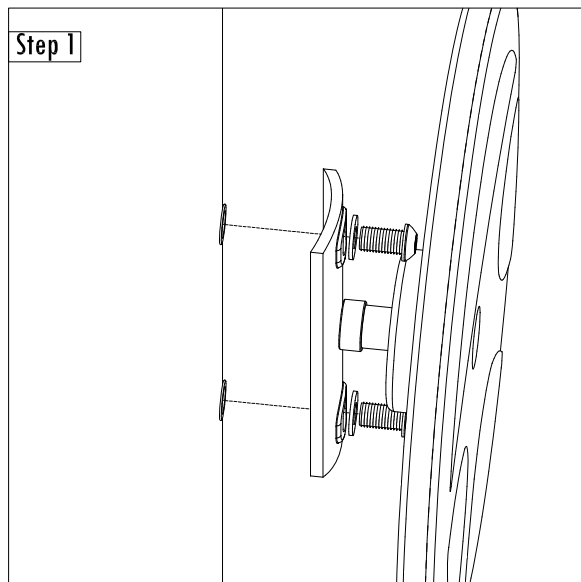
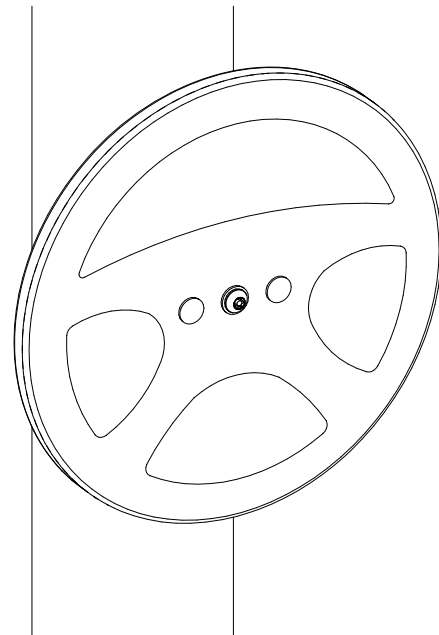


**This Instruction Applies To The Following Modules :**

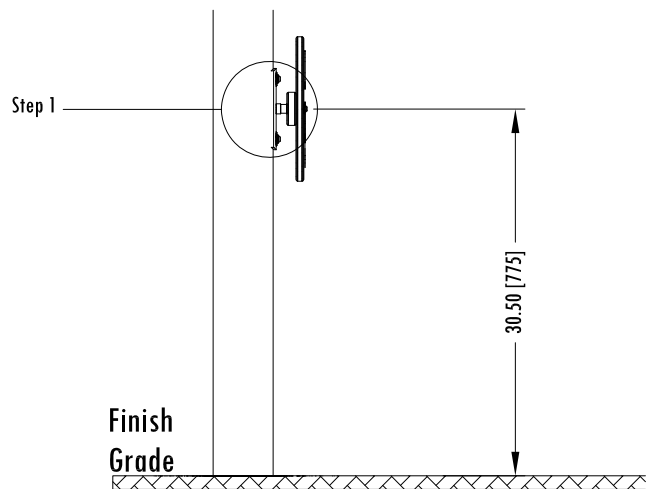
- AP158 - Balance Ball Game
- PT023 - PlayTot Ship Wheel on Post
- SC003 - Steering Wheel on Post
- SC005 - PlayShip Steering Wheel on Post
- SC027 - Maze Wheel

**Parts List**

- 1 Wheel with On Post Mounting Bracket
- 2 2T-0604 Button Cap Torx w/ Pin 3/8" x 1"
- 2 5F-0500 Flat Washer 5/16" with 3/8" Hole



1" Button Cap, Flat Washer (x2)



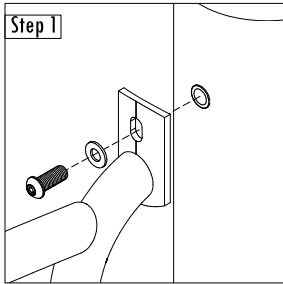
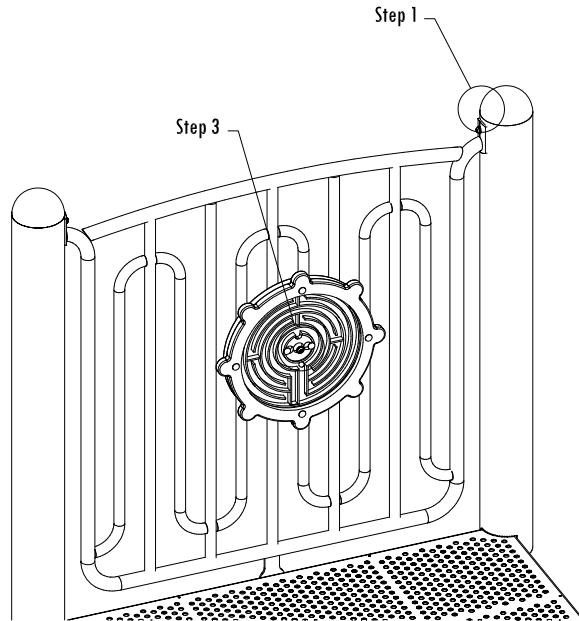
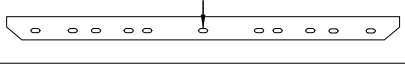
**This Instruction Applies To The Following Modules :**

- AP032 Steering Wheel Panel
- AP065 PlayShip Helm Panel
- AP144 Maze Wheel on Vertical Rail Panel
- AP162 Balance Ball Game on Vertical Rail Panel

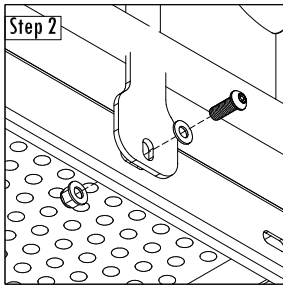
**Parts List**

- 1 BPN00100 Vertical Rail
- 1 Wheel or Game
- 1 Universal Wheel Parts
  
- 3 2T-0604 - Button Cap Torx w/ Pin 3/8" x 1"
- 1 2T-0614 - Button Cap Torx w/ Pin 3/8" x 2-1/2"
- 1 4N-0600 - Locking Flange Nut 3/8"
- 1 4L-0600 - Lock Nut w/ Nylon Locking 3/8"
- 4 5F-0500 - Flat Washer 5/16" S/S w/ 3/8" Hole

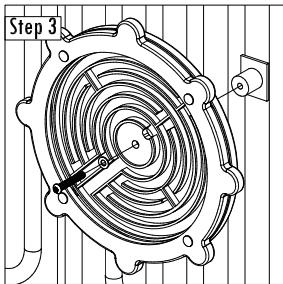
**DECK HOLES USED**



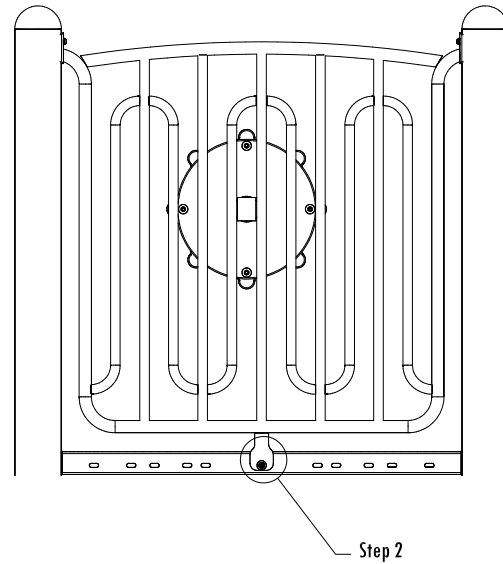
1" Button Cap, Flat Washer (x2)



1" Button Cap, Flat Washer, Locking Flange Nut (x2)



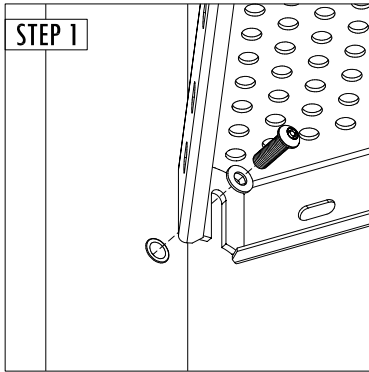
2-1/2" Button Cap, Flat Washer (x1)



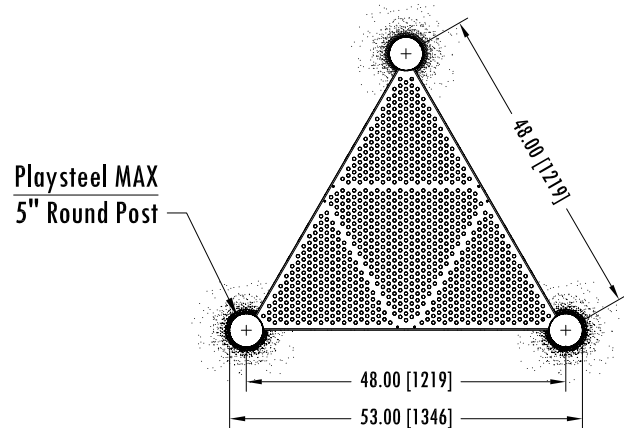
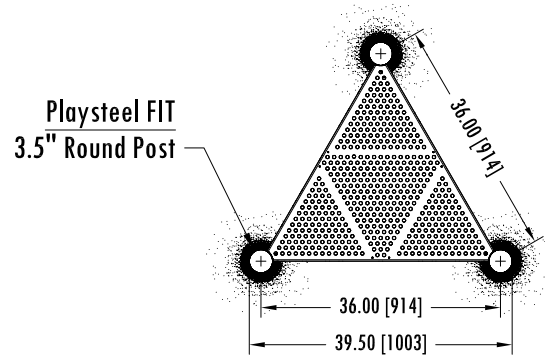
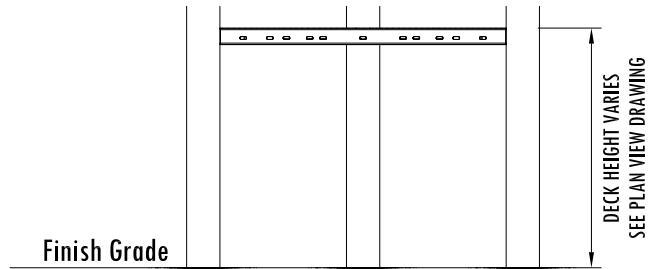
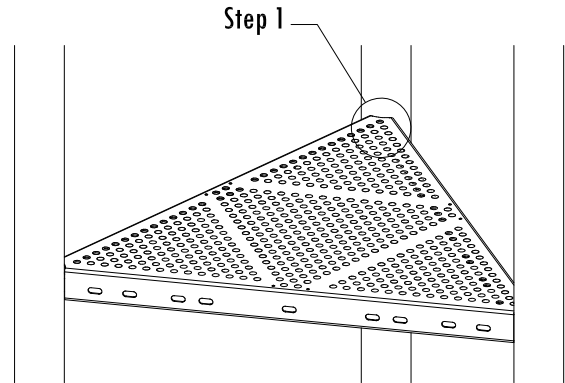
PLAYSTEEL SQ N/A	PLAYSTEEL MAX B5-AP032-03 B5-AP065-03 B5-AP144-03 B5-AP162-02	PLAYSTEEL FIT B3-AP032-05 B4-AP032-03 B3-AP065-04 B4-AP065-03 B3-AP144-05 B4-AP144-03 B3-AP162-02 B4-AP162-02	ORBIS N/A	PLAYTOTS N/A	PAGE 1 OF 1
---------------------	---	---	--------------	-----------------	-------------

### Parts List

1	DCK01900	Triangle Deck
3	2T-0604	Button Cap Torx w/ Pin 3/8" x 1"
3	5F-0500	Flat Washer 5/16"



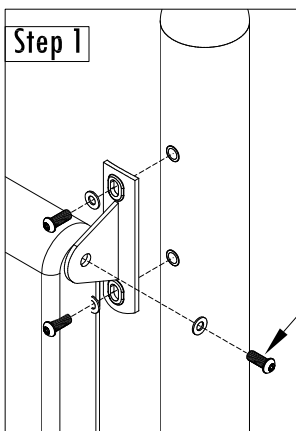
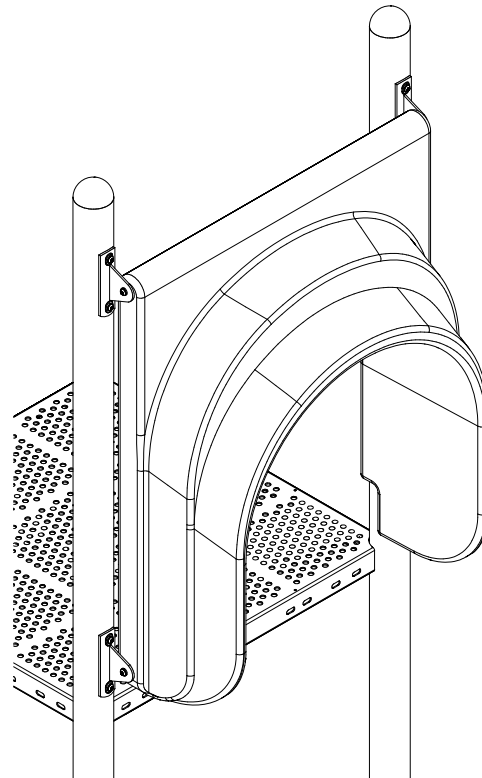
1" Button Cap, Flat Washer (x3)





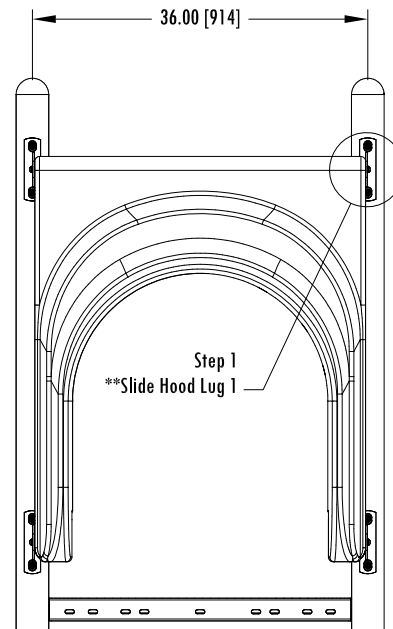
### Parts List

- 4 BRK12800 Slide Hood Lug 1
- 1 PPN00701 B3 Single Slide Hood
  
- 8 2T-0604 - Button Cap Torx w/ Pin 3/8" x 1"
- 4 2T-0606z - Button Cap Torx w/ Pin 3/8" x 1-1/2" (no locktite)
- 12 5F-0500 - Flat Washer 5/16" S/S w/ 3/8" Hole



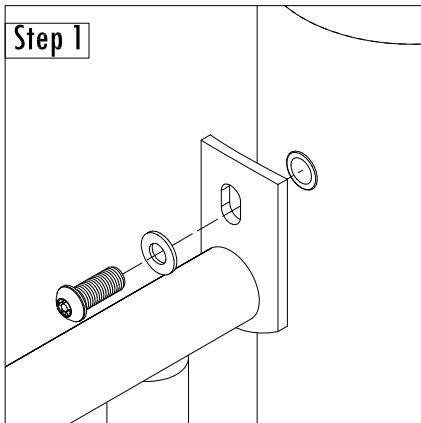
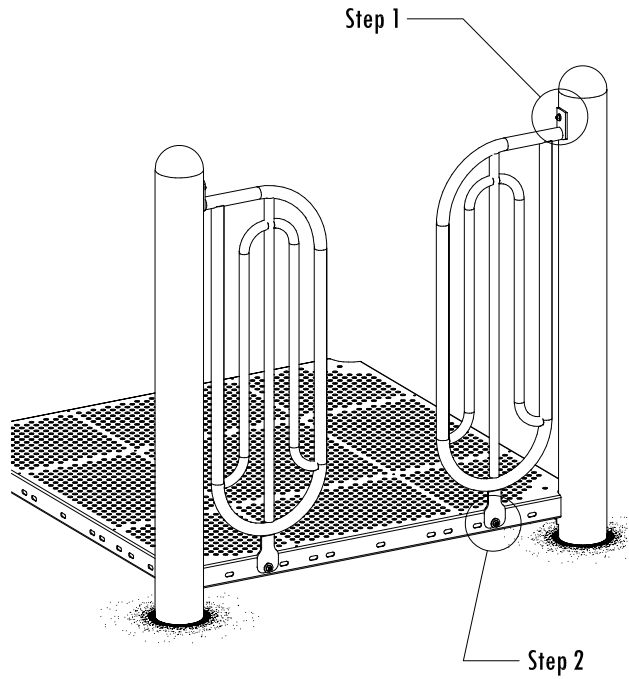
NO LOCKTITE

1" Button Cap, Flat Washer (x8)  
 1-1/2" Button Cap, Flat Washer (x4)

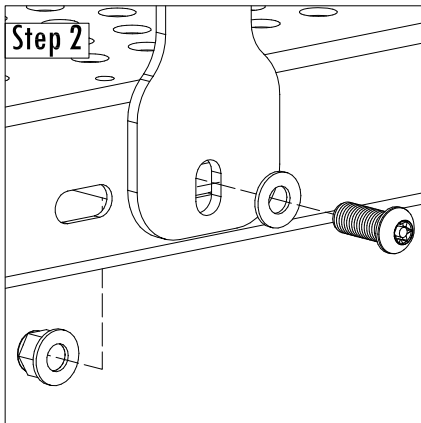


#### Parts List

- 2 BPN00200 Safety Railing
- 4 2T-0604 - Button Cap Torx w/ Pin 3/8" x 1"
- 2 4N-0600 - Locking Flange Nut 3/8"
- 4 5F-0500 - Flat Washer 5/16" S/S w/ 3/8" Hole



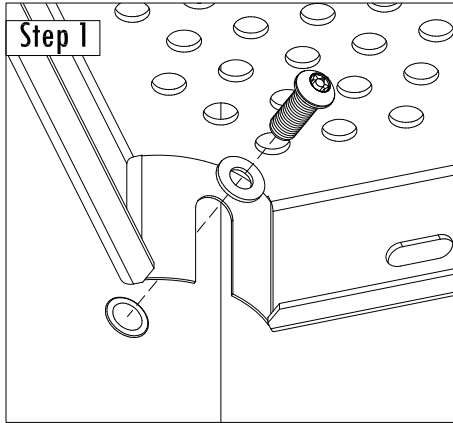
1" Button Cap, Flat Washer (x2)



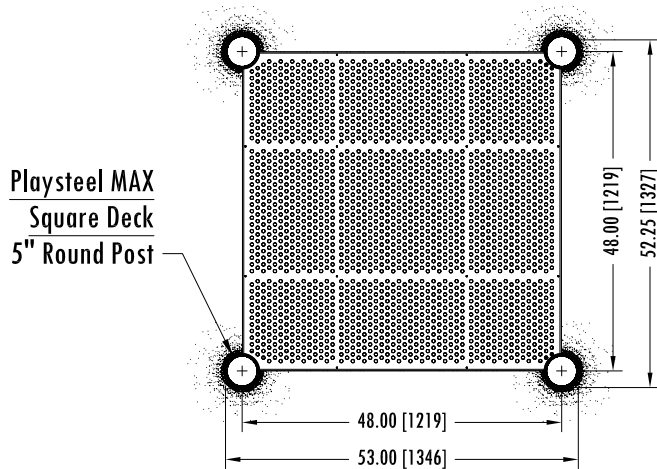
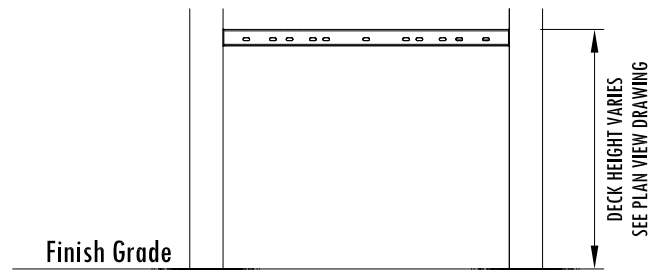
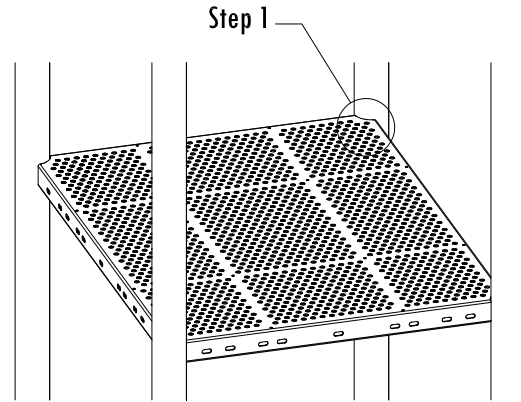
1" Button Cap, Flat Washer, Locking Flange Nut (x2)

### Parts List

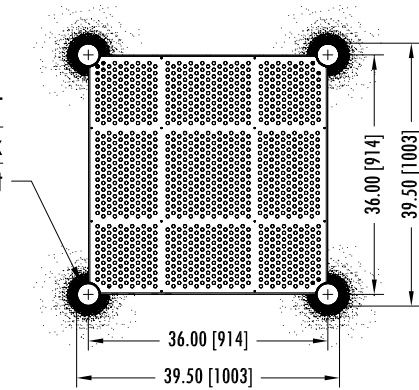
1		Deck
4	2T-0604	Button Cap Torx w/ Pin 3/8" x 1"
4	5F-0500	Flat Washer 5/16" S/S w/ 3/8" Hole



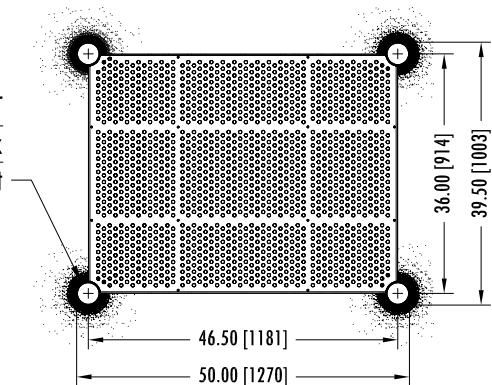
1" Button Cap, Flat Washer (x4)



Playsteel FIT  
Square Deck  
3.5" Round Post

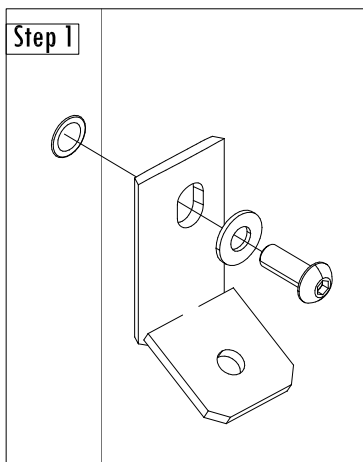
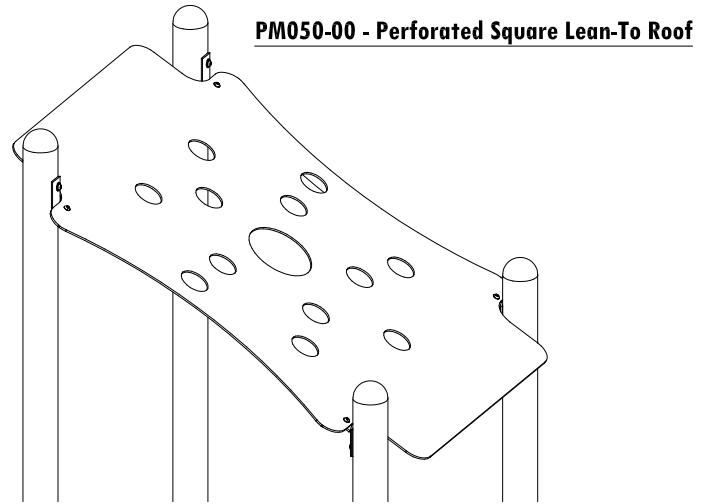


Playsteel FIT  
Rectangle Deck  
3.5" Round Post

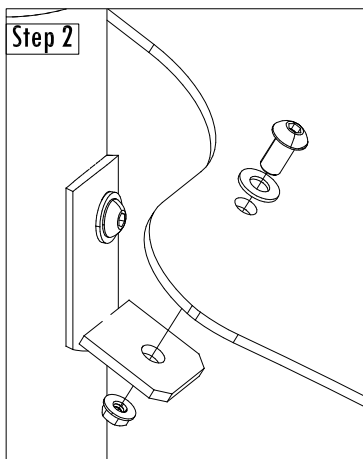


### Parts List

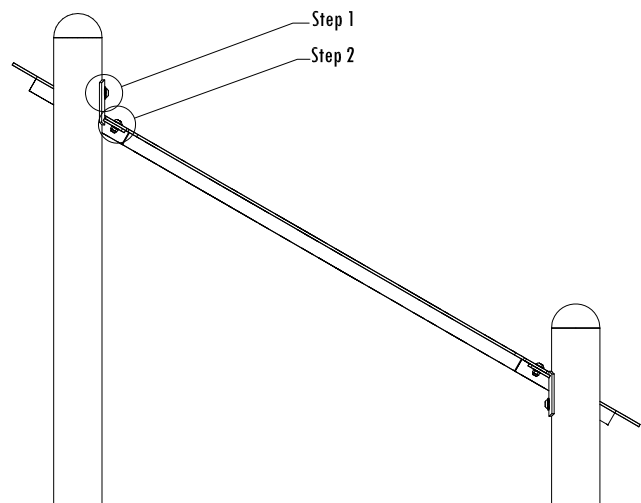
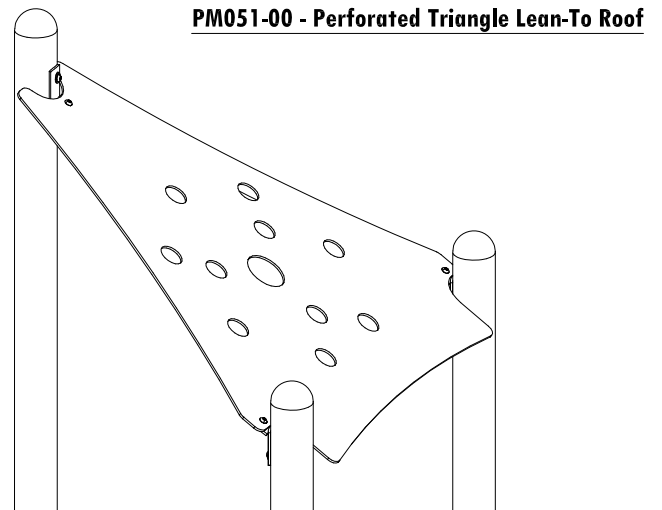
- 1 Lean-To Roof
- 3-4 Lean-To Roof Bracket
  
- 6-8 2T-0604 Button Cap Torx w/ Pin 3/8" x 1"
- 3-4 4L-0600 Lock Nut w/ Nylon Locking 3/8"
- 9-12 5F-0500 Flat Washer 5/16" S/S w/ 3/8" Hole



1" Button Cap, Flat Washer (x3 or 4)

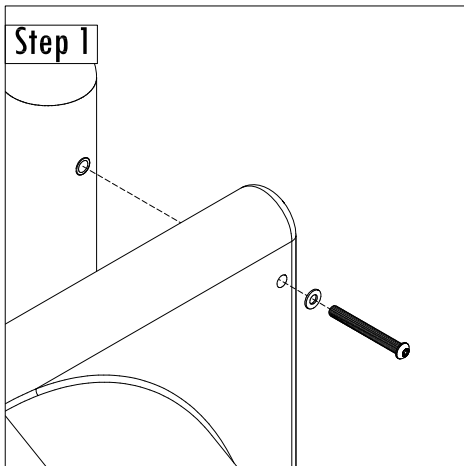


1" Button Cap, Flat Washer,  
Lock Nut (x3 or 4)



**Parts List**

- 1 PPN00800 B4 Double Slide Hood
- 4 2T-0616 - Button Cap Torx w/ Pin 3/8" x 4"
- 4 5F-0500 - Flat Washer 5/16" S/S w/ 3/8" Hole



4" Button Cap, Flat Washer (x4)

