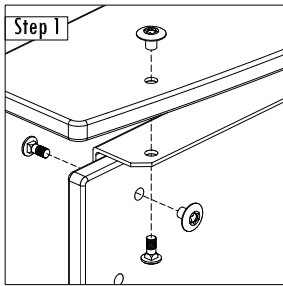
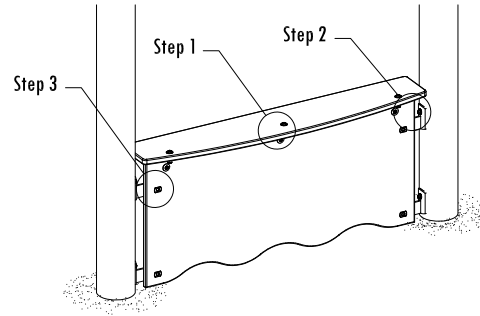


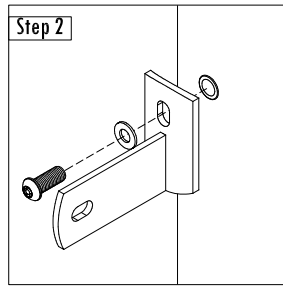
Parts List

- 4 BRK004000 Sheet Plastic Bracket
- 1 SHP00700 PlayCounter Panel
- 1 SHP01300 PlayCounter Top
- 1 PlayCounter Bracket

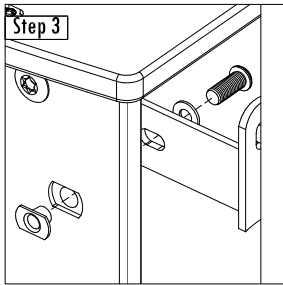
- 6 1C-0503 - Carriage Bolt 5/16" x 3/4"
- 8 2T-0604 - Button Cap Torx w/ Pin 3/8" x 1"
- 6 4C-0500 - Camtainer Nut 5/16"
- 4 4D-0600 - T Nut 3/8" x 3/4"
- 8 5F-0500 - Flat Washer 5/16" S/S w/ 3/8" Hole



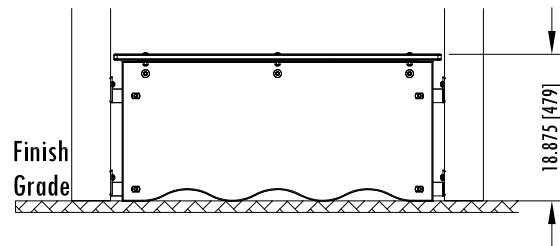
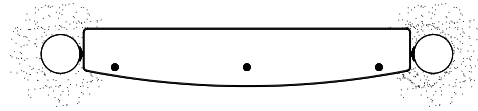
3/4" Carriage Bolt, Camtainer Nut (x6)



1" Button Cap, Flat Washer (x4)



1" Button Cap, Flat Washer, T Nut (x4)

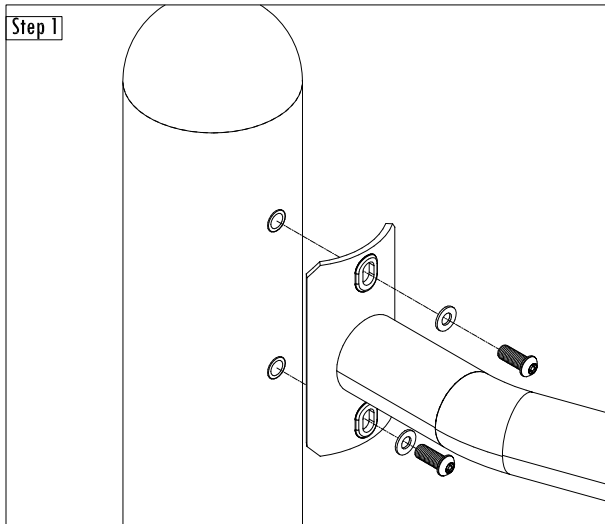
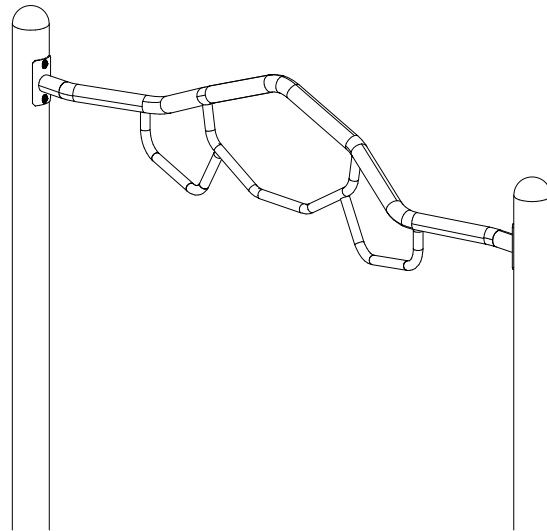


This Instruction Applies To The Following Modules :

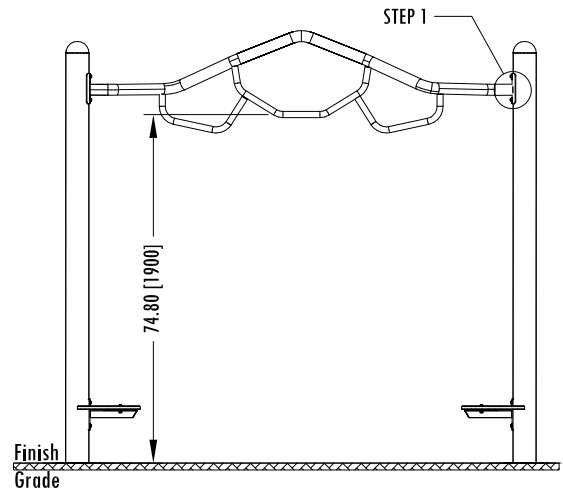
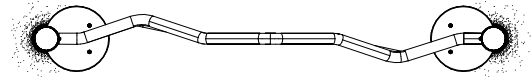
- OH097 Minor Arc Overhead Ladder
- OH100 Trapeze Arc
- OH104 Peak Overhead
- OH105 Pinnacle Overhead

Parts List

- 1 Overhead
- 4 2T-0604 - Button Cap Torx w/ Pin 3/8" x 1"
- 4 5F-0500 - Flat Washer 5/16" S/S w/ 3/8" Hole



1" Button Cap, Flat Washer (x4)



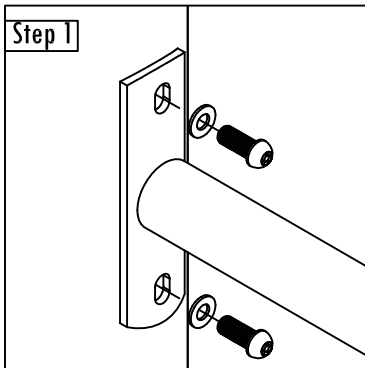
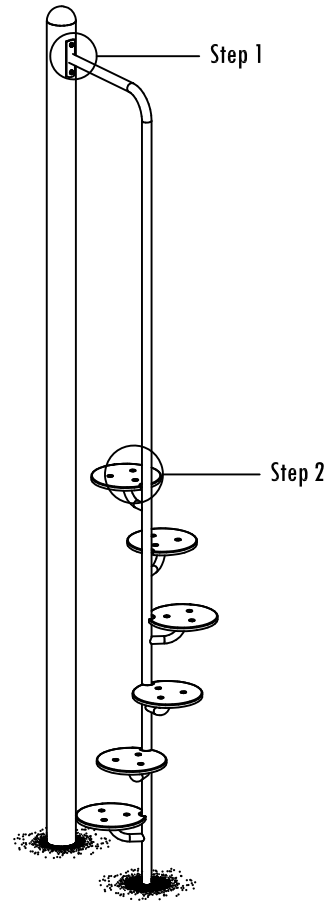
PLAYSTEEL SQ N/A	PLAYSTEEL MAX B5-OH097-00 B5-OH100-00 B5-OH104-00 B5-OH105-00	PLAYSTEEL FIT B3-OH097-00 B3-OH100-00 B3-OH104-00 B3-OH105-00	ORBIS N/A	PLAYTOTS N/A	PAGE 1 OF 1
---------------------	---	---	--------------	-----------------	-------------

This Instruction Applies To The Following Modules :

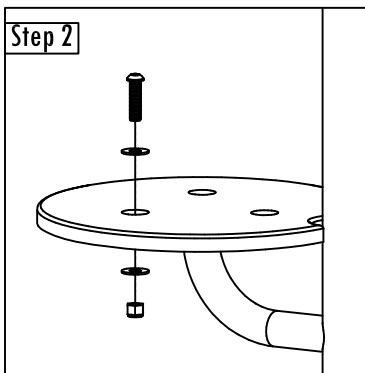
- CB383 Space Walk To Post 3'
- CB384 Space Walk To Post 4'
- CB385 Space Walk To Post 5'
- CB386 Space Walk To Post 6'
- CB387 Space Walk To Post 7'

Parts List

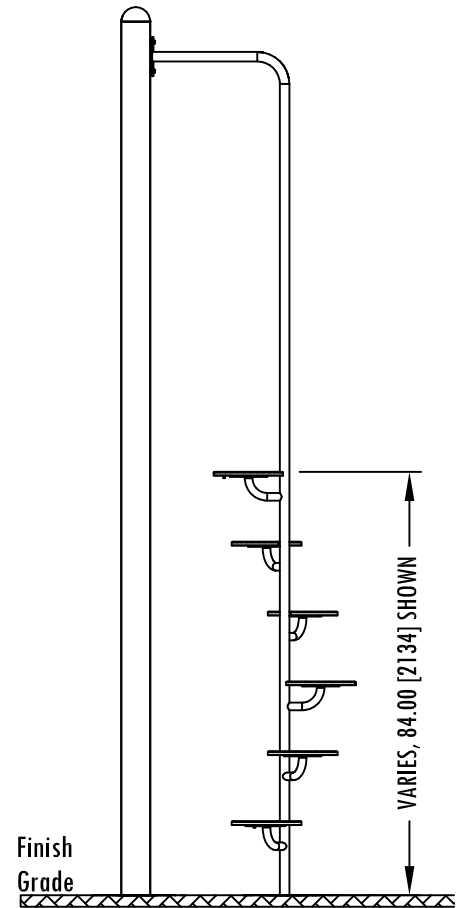
- 1** Space Walk To Post
- 2-6** Space Walk Step
- 2** 2T-0604 - Button Cap Torx w/ Pin 3/8" x 1"
- 6-18** 2T-0604 - Button Cap Torx w/ Pin 3/8" x 1-1/2"
- 6-18** 4L-0600 - Lock Nut w/ Nylon Locking 3/8"
- 14-38** 5F-0500 - Flat Washer 5/16" S/S w/ 3/8" Hole



1" Button Cap Torx, Flat Washer (x2)



1-1/2" Button Cap Torx, Flat Washer, Lock Nut (x2)



PLAYSTEEL SQ N/A	PLAYSTEEL MAX B5-CB383-00 B5-CB384-00 B5-CB385-00 B5-CB386-00 B5-CB387-00	PLAYSTEEL FIT B3-CB383-00 B3-CB384-00 B3-CB385-00 B3-CB386-00 B3-CB387-00	ORBIS N/A	PLAYTOTS N/A	PAGE 1 OF 1
---------------------	--	--	--------------	-----------------	-------------

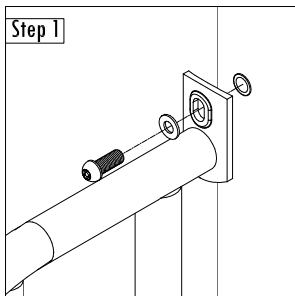
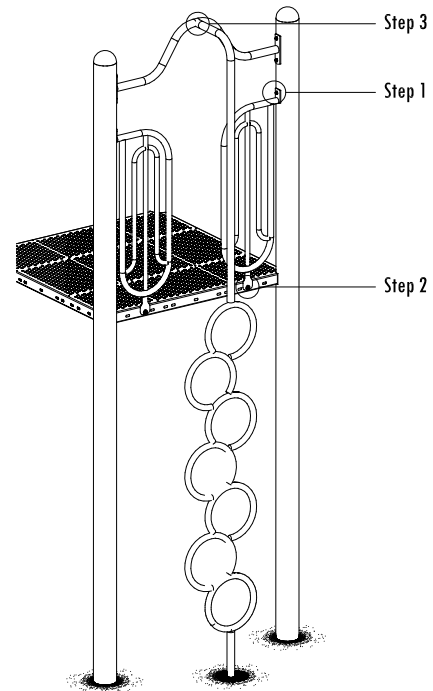
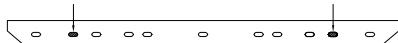
This Instruction Applies To The Following Modules :

- CB443 Ring Climber 3'
- CB444 Ring Climber 4'
- CB445 Ring Climber 5'
- CB446 Ring Climber 6'
- CB447 Ring Climber 7'
- CB448 Ring Climber 8'

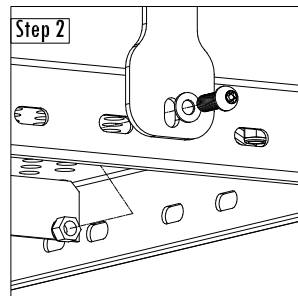
Parts List

- 1 Ring Climber
 - 1 Pole Connector
 - 2 Safety Railing
-
- 8 2T-0604 - Button Cap Torx w/ Pin 3/8" x 1"
 - 1 2T-0610 - Button Cap Torx w/ Pin 3/8" x 2-1/2"
 - 2 4L-0600 - Lock Nut w/ Nylon Locking 3/8"
 - 11 5F-0500 - Flat Washer 5/16" S/S w/ 3/8" Hole

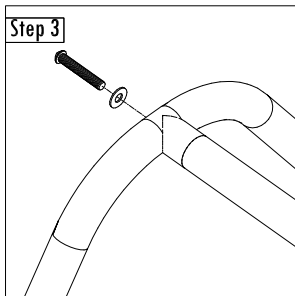
DECK HOLES USED



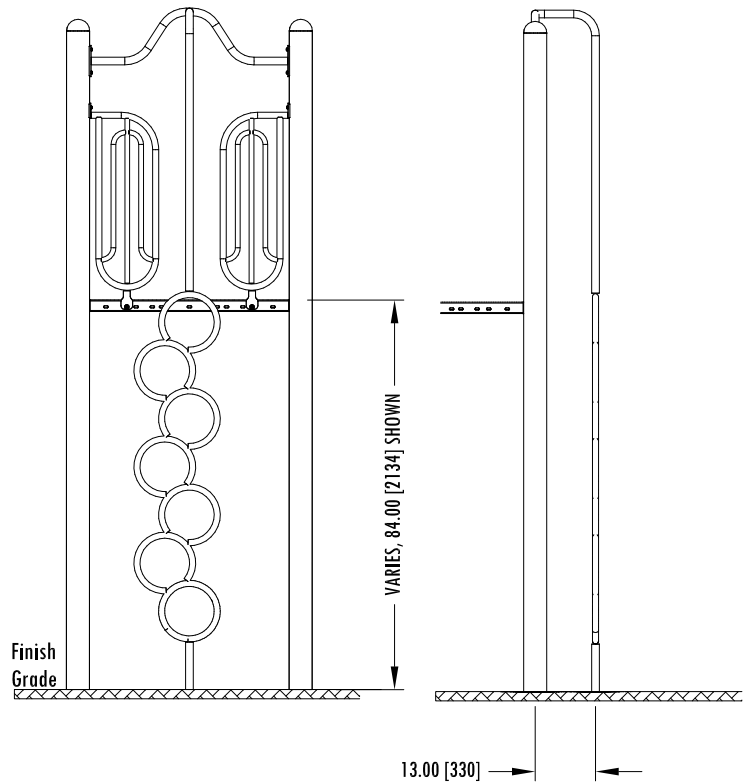
1" Button Cap Torx, Flat Washer (x6)



1" Button Cap Torx, Flat Washer, Lock Nut (x2)



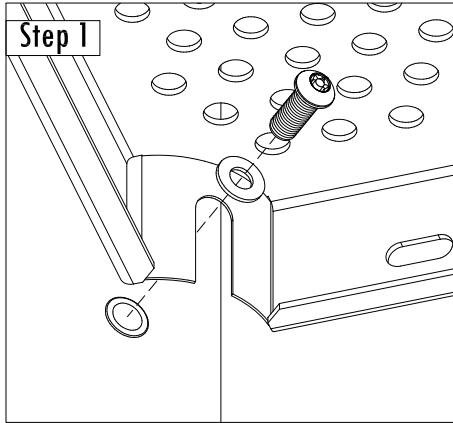
2-1/2" Button Cap Torx, Flat Washer (x1)



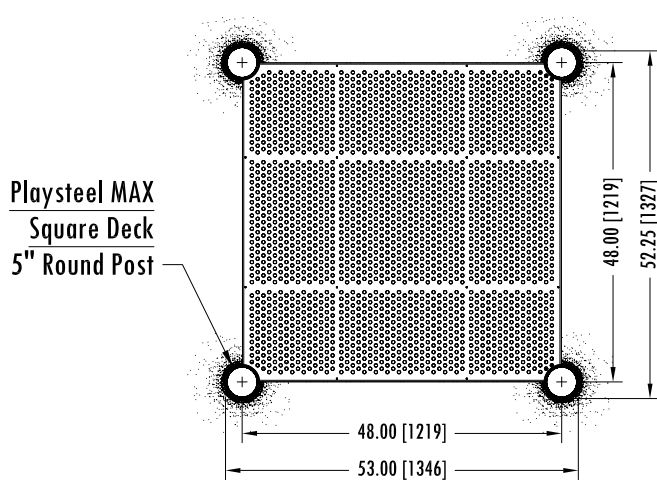
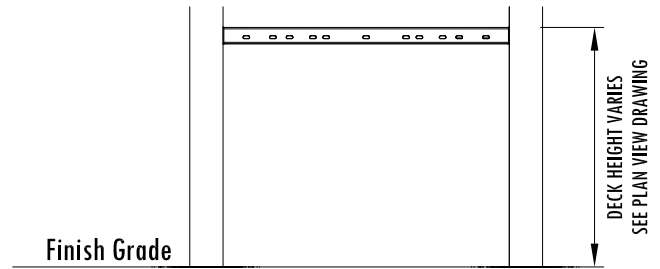
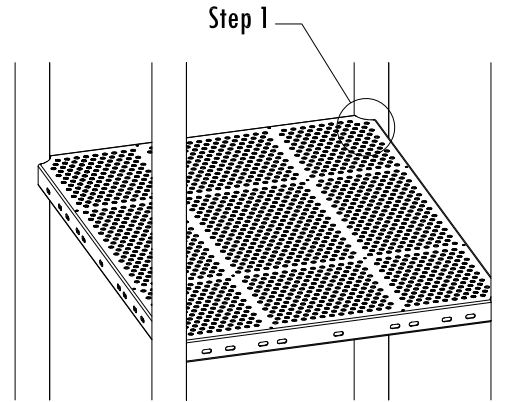
PLAYSTEEL SQ N/A	PLAYSTEEL MAX B5-CB443-01 B5-CB444-01 B5-CB445-01 B5-CB446-01 B5-CB447-01 B5-CB448-01	PLAYSTEEL FIT B3-CB443-01 B3-CB444-01 B3-CB445-01 B3-CB446-01 B3-CB447-01 B3-CB448-01	B4-CB443-01 B4-CB444-01 B4-CB445-01 B4-CB446-01 B4-CB447-01 B4-CB448-01	ORBIS N/A	PLAYTOTS N/A	PAGE 1 OF 1
---------------------	---	---	--	--------------	-----------------	-------------

Parts List

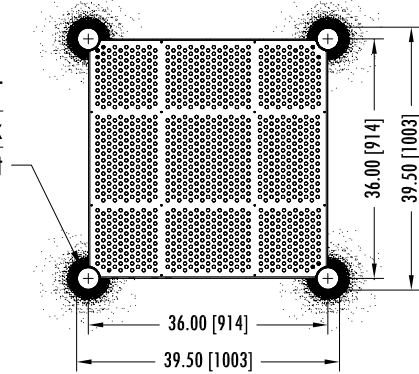
1		Deck
4	2T-0604	Button Cap Torx w/ Pin 3/8" x 1"
4	5F-0500	Flat Washer 5/16" S/S w/ 3/8" Hole



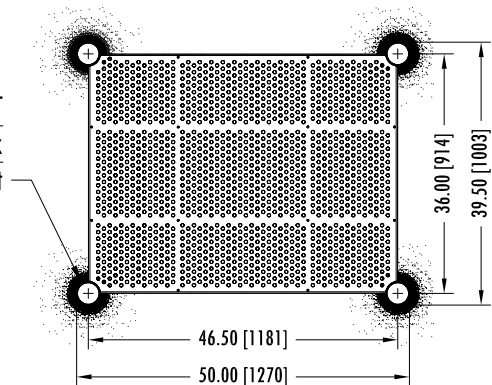
1" Button Cap, Flat Washer (x4)



Playsteel FIT
Square Deck
3.5" Round Post

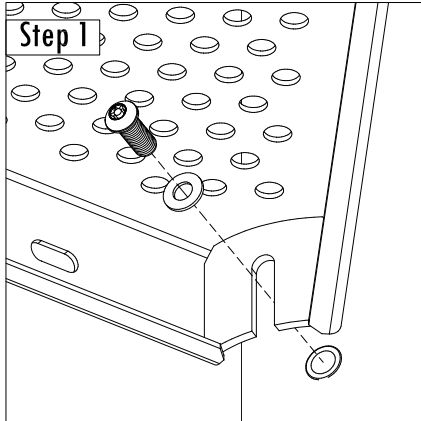


Playsteel FIT
Rectangle Deck
3.5" Round Post

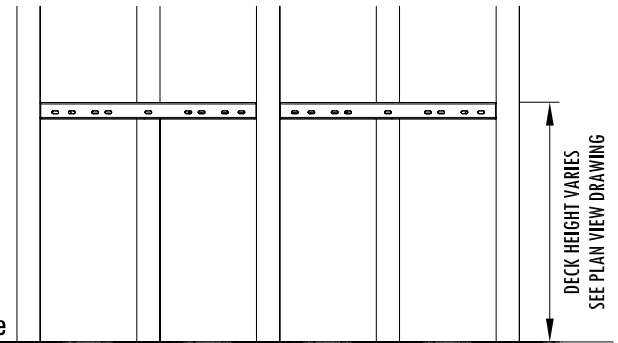
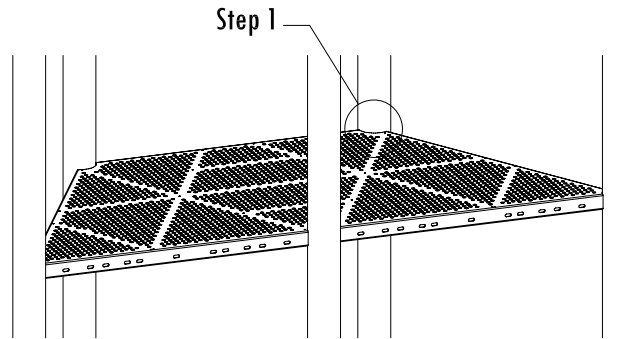


Parts List

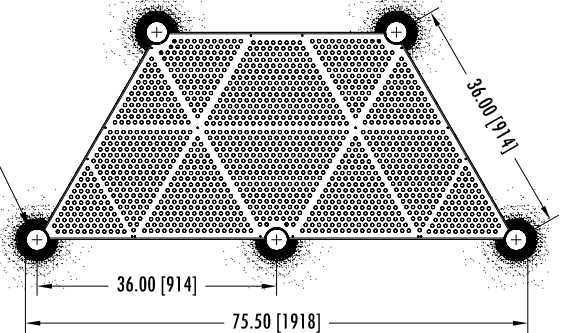
1	DCK02600	Half Hex Deck
5	2T-0604	Button Cap Torx w/ Pin 3/8" x 1"
5	5F-0500	Flat Washer 5/16" S/S w/ 3/8" Hole



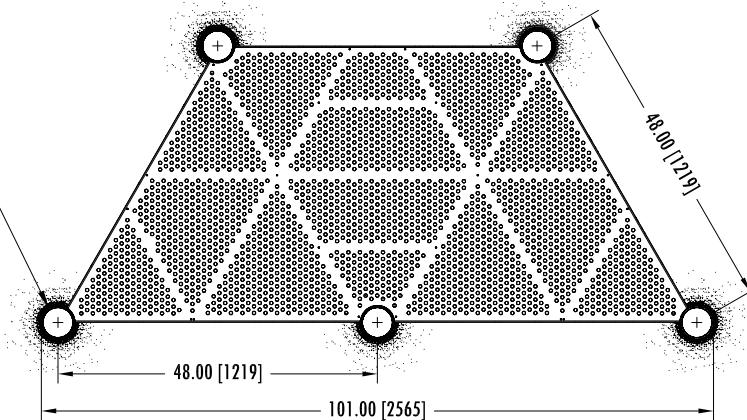
1" Button Cap, Flat Washer (x5)



Playsteel FIT
3.5" Round Post



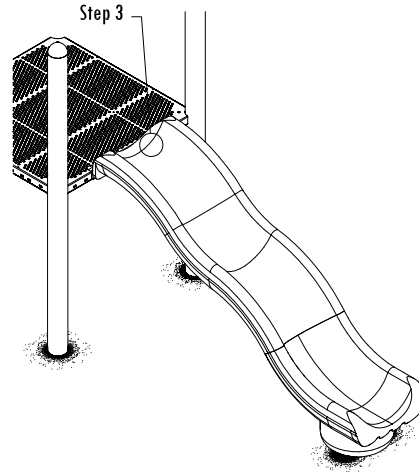
Playsteel MAX
5" Round Post



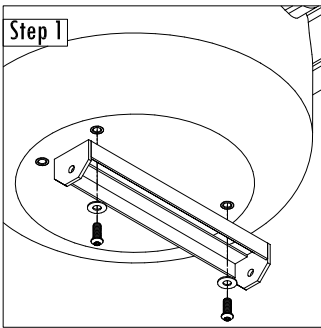
Parts List

- 1 PSL01700 4' Poly Wave Slide
- 1 GND00100 Universal Ground Leg Mount
- 2 GND00200 Universal Ground Leg

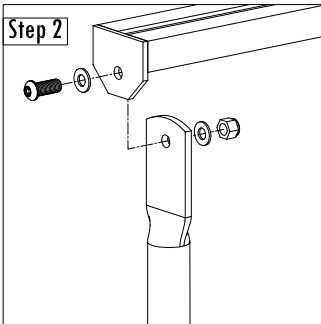
- 4 2T-0604 - Button Cap Torx w/ Pin 3/8" x 1"
- 2 2T-0608 - Button Cap Torx w/ Pin 3/8" x 2"
- 2 4L-0600 - Lock Nut w/ Nylon Locking 3/8"
- 8 5F-0500 - Flat Washer 5/16" S/S w/ 3/8" Hole



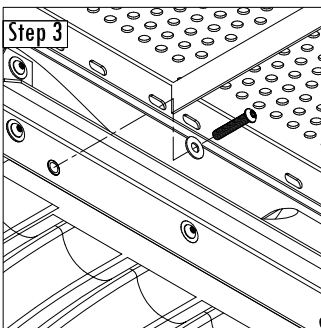
DECK HOLES USED



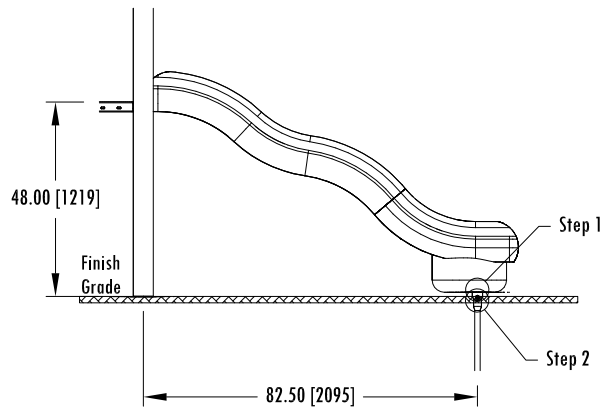
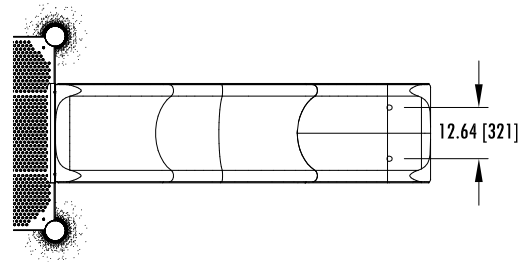
1" Button Cap Torx, Flat Washer (x2)



1" Button Cap Torx, Flat Washer, Lock Nut (x2)

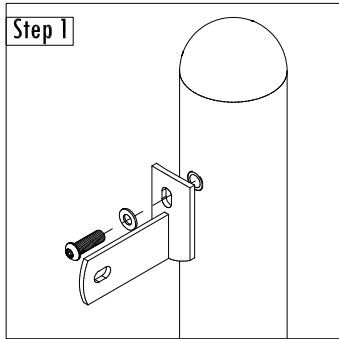
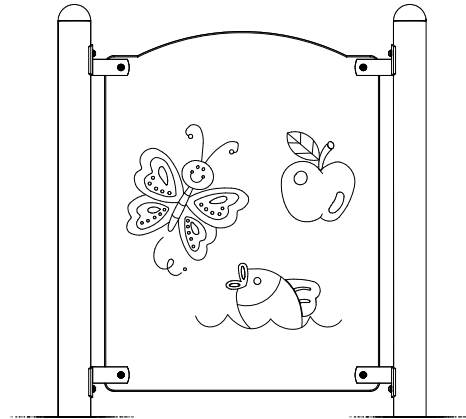


2" Button Cap Torx, Flat Washer (x2)

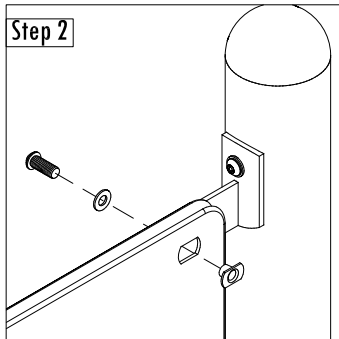


Parts List

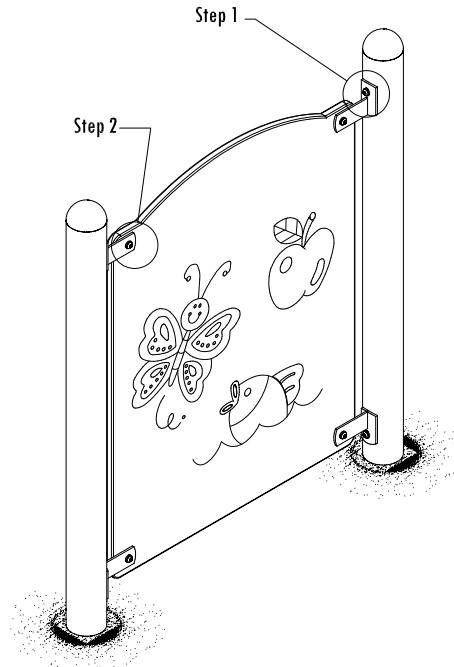
- 1 Sheet Plastic Panel
- 4 BRK00400 Sheet Plastic Bracket
- 8 2T-0604 - Button Cap Torx w/ Pin 3/8" x 1"
- 4 4D-0600 - T Nut 3/8"
- 8 5F-0500 - Flat Washer 5/16" S/S w/ 3/8" Hole



1" Button Cap, Flat Washer (x4)



1" Button Cap, Flat Washer, T Nut (x4)



OFFICE USE ONLY

12/20/2012

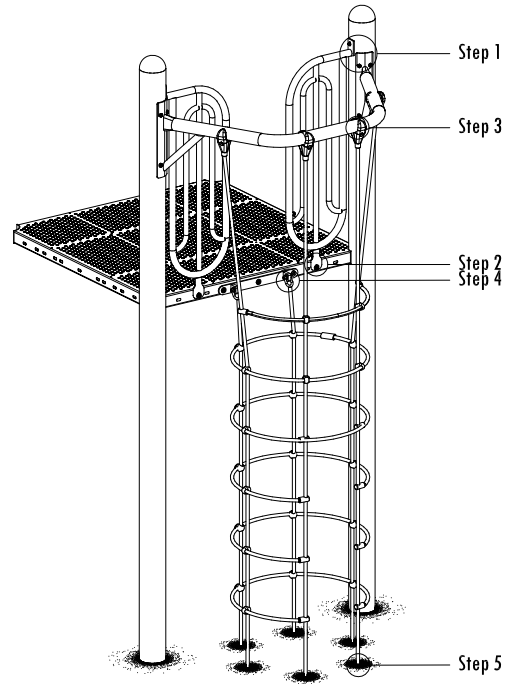
PLAYSTEEL FIT:

B3 MODULES	B3-AP002-01	B3-AP017-01	B3-AP036-01	B3-AP067-01	B3-AP084-01	B3-AP111-01	B3-AP129-02	B3-AP150-00	B3-AP157-00
	B3-AP004-01	B3-AP019-01	B3-AP037-01	B3-AP068-01	B3-AP086-01	B3-AP114-01	B3-AP130-02	B3-AP151-00	B3-AP163-00
	B3-AP006-01	B3-AP021-01	B3-AP058-01	B3-AP069-01	B3-AP093-00	B3-AP116-01	B3-AP132-02	B3-AP152-00	
	B3-AP010-01	B3-AP023-01	B3-AP059-01	B3-AP072-01	B3-AP096-01	B3-AP118-01	B3-AP143-01	B3-AP153-00	
	B3-AP013-01	B3-AP027-01	B3-AP062-01	B3-AP078-01	B3-AP104-01	B3-AP119-01	B3-AP145-01	B3-AP154-00	
	B3-AP015-01	B3-AP034-01	B3-AP064-01	B3-AP080-01	B3-AP108-01	B3-AP121-01	B3-AP146-01	B3-AP156-00	
	B4-AP002-01	B4-AP017-01	B4-AP036-01	B4-AP067-01	B4-AP084-01	B4-AP111-01	B4-AP129-01	B4-AP146-01	B4-AP156-00
	B4-AP004-01	B4-AP019-01	B4-AP037-01	B4-AP068-01	B4-AP086-01	B4-AP114-01	B4-AP130-01	B4-AP150-00	B4-AP157-00
B4-AP006-01	B4-AP021-01	B4-AP058-01	B4-AP069-01	B4-AP093-00	B4-AP116-01	B4-AP132-01	B4-AP151-00	B4-AP163-00	
B4-AP010-01	B4-AP023-01	B4-AP059-01	B4-AP072-01	B4-AP096-01	B4-AP118-01	B4-AP139-01	B4-AP152-00		
B4-AP013-01	B4-AP027-01	B4-AP062-01	B4-AP078-01	B4-AP104-01	B4-AP119-01	B4-AP143-01	B4-AP153-00		
B4-AP015-01	B4-AP034-01	B4-AP064-01	B4-AP080-01	B4-AP108-01	B4-AP121-01	B4-AP145-01	B4-AP154-00		

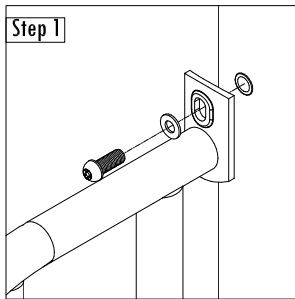
Parts List

- 1 Funnel Net
- 1 Funnel Net Upper Frame
- 1 Funnel Net Lower Frame
- 1 Funnel Net Deck Bracket
- 2 Safety Railing
- 3 Ground Leg

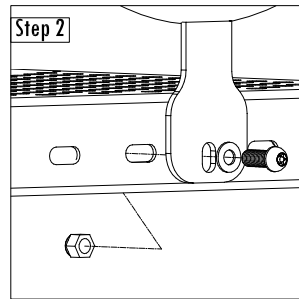
- 15 2T-0604 - Button Cap Torx w/ Pin 3/8" x 1"
- 6 3V-0602 - Self Tapping Screw 3/8"
- 5 4N-0600 - Locking Flange Nut 3/8"
- 15 5F-0500 - Flat Washer 5/16" S/S w/ 3/8" Hole



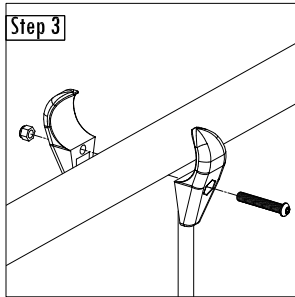
DECK HOLES USED



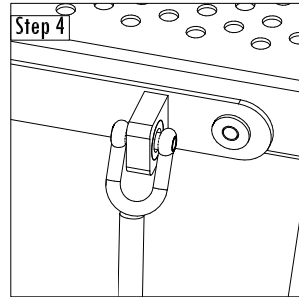
1" Button Cap Torx, Flat Washer (x10)



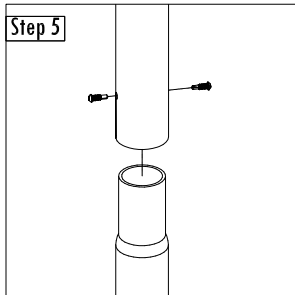
1" Button Cap Torx, Flat Washer, Lock Nut (x5)



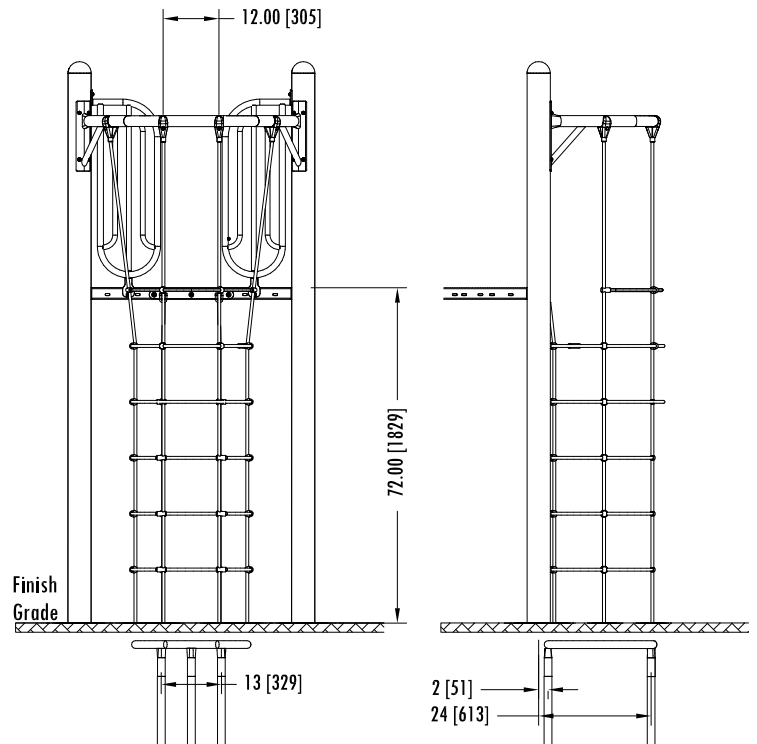
Attach Funnel Net to Upper & Lower Frames with Clamps (x10)



Attach Funnel Net to Deck Bracket with "D" Links (x2)



Self Tapping Screw (x6)



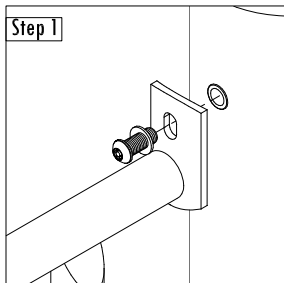
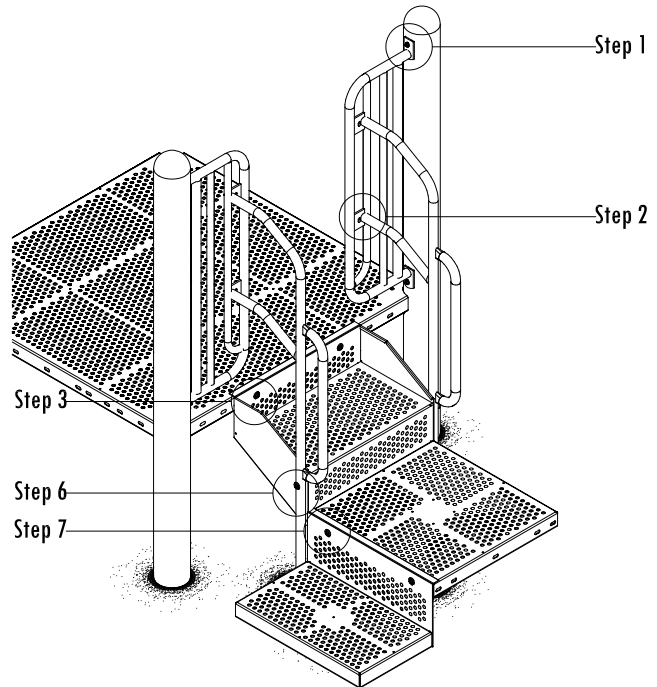
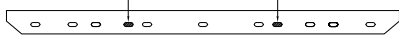
This Instruction Applies To The Following Modules :

- ST092 & ST102 - Transfer Station 2FT
- ST093 & ST103 - Transfer Station 3FT
- ST094 & ST104 - Transfer Station 4FT
- ST095 & ST105 - Transfer Station 5FT

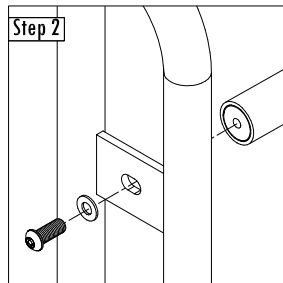
Parts List

2	GND1000	Transfer Station Ground Leg
2	HDR01300	Stair Barrier Rail- Upper 16"
2		Transfer Step Handrails
1	DCK02500	Transfer Deck
1		Accessible Stair
1	STR03500	Transfer Station Step
24	2T-0604	Button Cap Torx w/Pin 3/8" x 1"
2	2T-0608	Button Cap Torx w/Pin 3/8" x 2"
2	4L-0600	Lock Nut w/ Nylon Locking 3/8"
16	4N-0600	Locking Flange Nut 3/8"
26	5F-0500	Flat Washer 5/16" S/S w/ 3/8" Hole

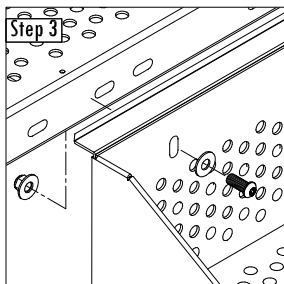
DECK HOLES USED



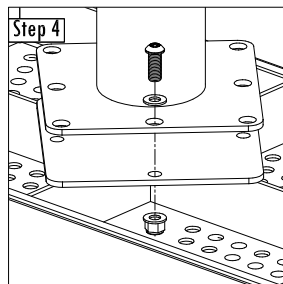
Step 1
1" Button Cap Torx, Flat Washer (x4)



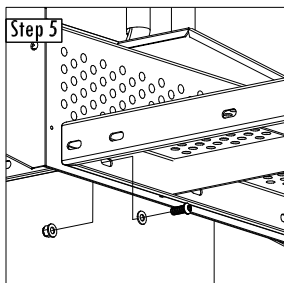
Step 2
1" Button Cap Torx, Flat Washer (x4)



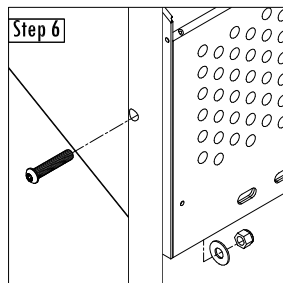
Step 3
1" Button Cap Torx, Flat Washers, Locking Flange Nut (x2)



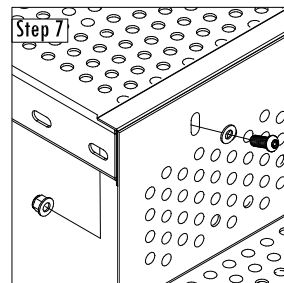
Step 4
1" Button Cap Torx, Flat Washers, Locking Flange Nut (x8)



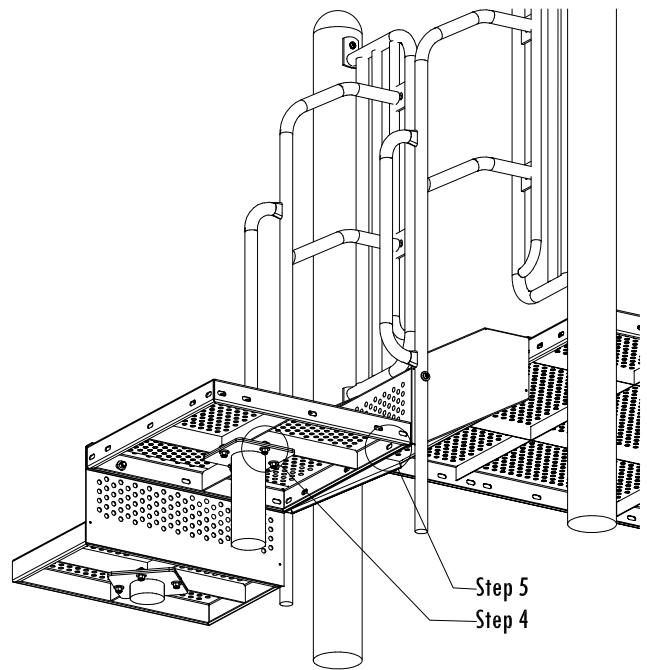
Step 5
1" Button Cap Torx, Flat Washers, Locking Flange Nut (x2)



Step 6
2" Button Cap Torx, Flat Washer, Lock Nut (x2)



Step 7
1" Button Cap Torx, Flat Washers, Locking Flange Nut (x2)

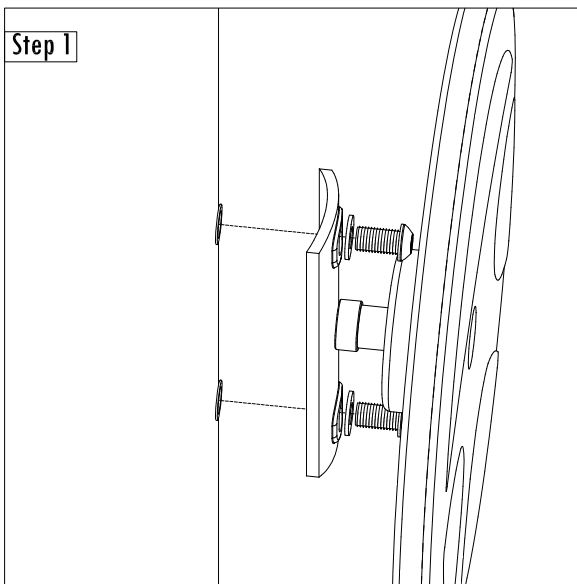
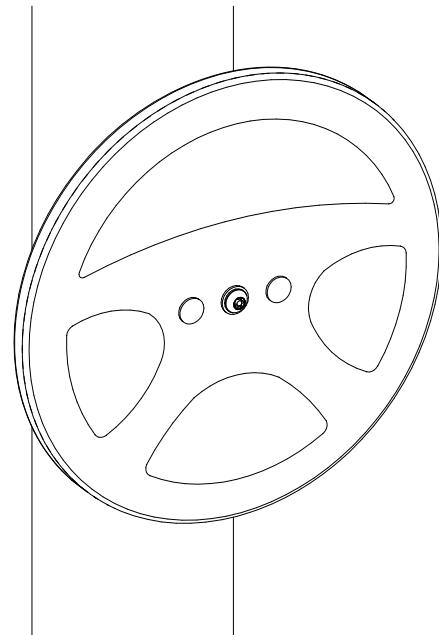


This Instruction Applies To The Following Modules :

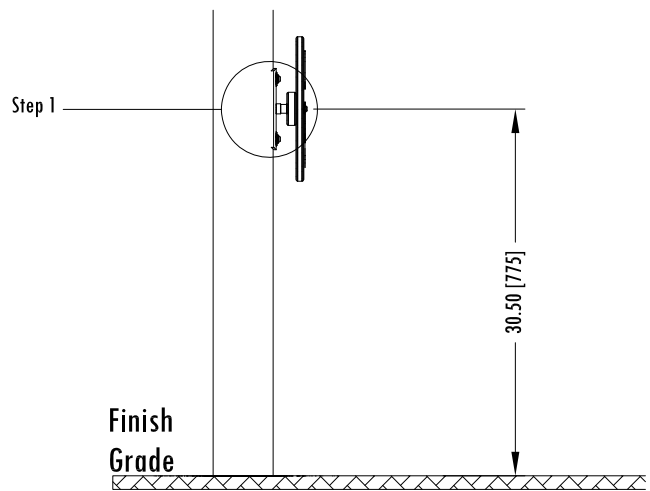
- AP158 - Balance Ball Game
- PT023 - PlayTot Ship Wheel on Post
- SC003 - Steering Wheel on Post
- SC005 - PlayShip Steering Wheel on Post
- SC027 - Maze Wheel

Parts List

- 1 Wheel with On Post Mounting Bracket
- 2 2T-0604 Button Cap Torx w/ Pin 3/8" x 1"
- 2 5F-0500 Flat Washer 5/16" with 3/8" Hole



1" Button Cap, Flat Washer (x2)



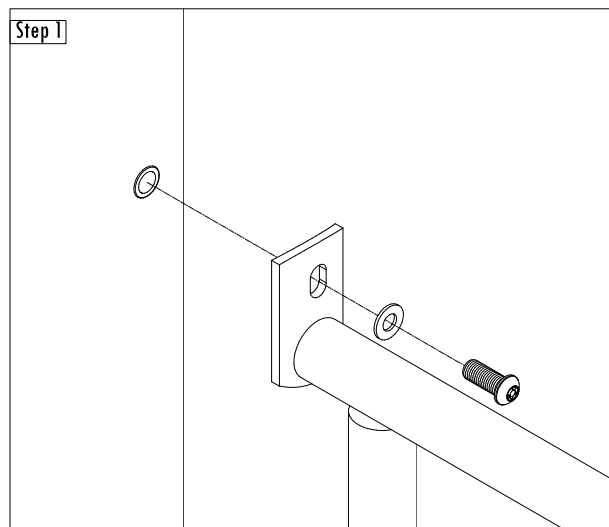
PLAYSTEEL SQ	PLAYSTEEL MAX	PLAYSTEEL FIT	ORBIS	PLAYTOTS	PAGE
	B5-AP158-02	B3-AP158-02		PT-PT023-01	1 OF 1
	B5-SC003-03	B3-SC003-03	N/A		
	B5-SC005-02	B3-SC005-02			
	B5-SC027-03	B3-SC027-04			

This Instruction Applies To The Following Modules :

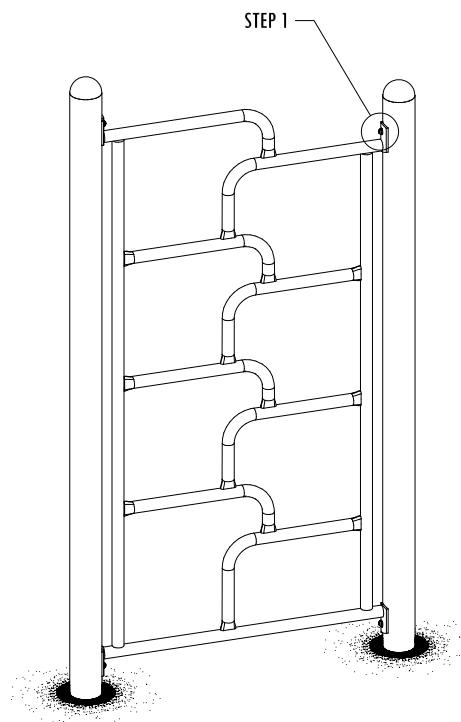
- LK050 Callisto Link
- LK052 Jansky Wave Link
- LK053 Mini Planet Link
- LK054 Nebula Link
- LK055 Spacetime Curvature Link
- LK056 Spacewalker Link
- LK058 Vulcan Link

Parts List

- 1 Link
- 4 2T-0604 - Button Cap Torx w/ Pin 3/8" x 1"
- 4 5F-0500 - Flat Washer 5/16" S/S w/ 3/8" Hole



1" Button Cap, Flat Washer (x4)

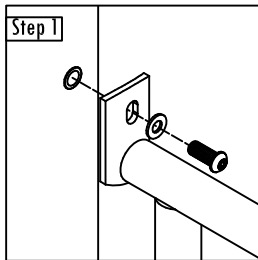
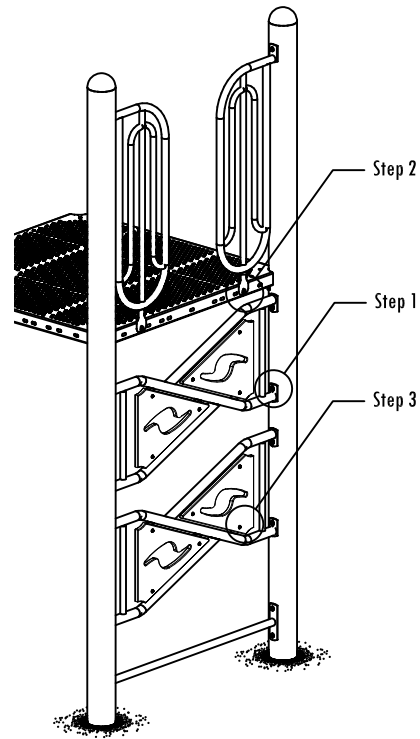


Parts List

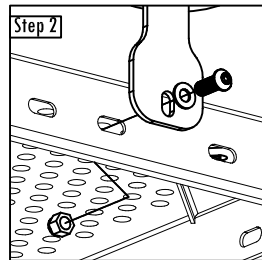
- 1 OHE001 Turning Bar (may not be needed for some models)
- 2 BPN002 Safety Railing
- 2 CLM204 Rudder Climber Frame
- 4 SHP397 Rudder Plastic

- 28 2T-0604 - Button Cap Torx w/ Pin 3/8" x 1"
- 2 4N-0600 - Locking Flange Nut 3/8"
- 12 4R-0603 - Barrel Nut 3/8" x 3/4"
- 16 5F-0500 - Flat Washer 5/16" S/S w/ 3/8" Hole

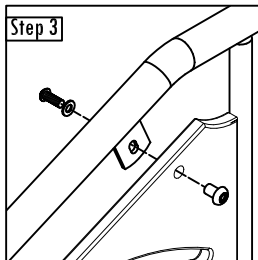
** All Quantities May Vary



1" Button Cap Torx,
Flat Washer (x14)



1" Button Cap Torx, Flat Washer,
Locking Flange Nut (x2)



1" Button Cap Torx, Flat Washer,
Barrel Nut (x12)

OFFICE USE ONLY

12/12/2019

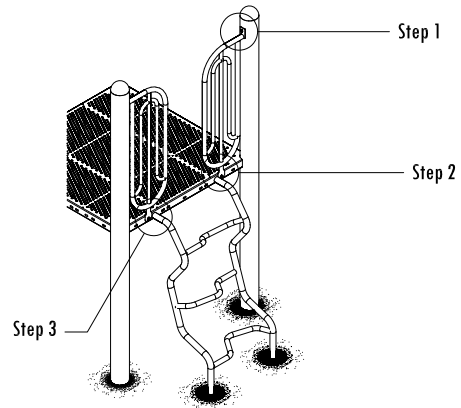
PLAYSTEEL SQ N/A	PLAYSTEEL MAX B5-CB543-00	PLAYSTEEL FIT B3-CB543-00	ORBIS N/A	PLAYTOTS N/A	PAGE 1 OF 1
	B5-CB544-00	B3-CB544-00	B4-CB543-00	B4-CB544-00	
	B5-CB545-00	B3-CB545-00	B4-CB545-00	B4-CB545-00	
	B5-CB546-00	B3-CB546-00	B4-CB546-00	B4-CB546-00	
	B5-CB547-00	B3-CB547-00	B4-CB547-00	B4-CB547-00	
	B5-CB548-00	B3-CB548-00	B4-CB548-00	B4-CB548-00	

This Instruction Applies To The Following Modules :

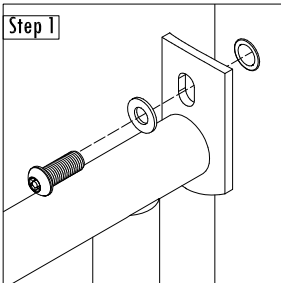
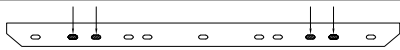
- CB709 Crawler 4'
- CB710 Crawler 5'
- CB711 Crawler 6'
- CB712 Crawler 7'

Parts List

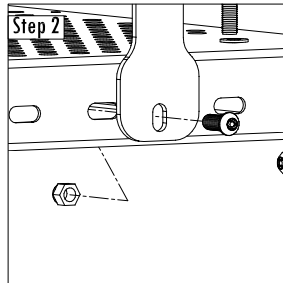
1		Crawler
2	BPN00200	Safety Rail
4	2T-0604	Button Cap Torx w/ Pin 3/8" x 1"
2	2T-0608	Button Cap Torx w/ Pin 3/8" x 2"
2	4L-0601	Lock Nut 3/8"
8	5F-0500	Flat Washer 5/16" S/S w/ 3/8" Hole



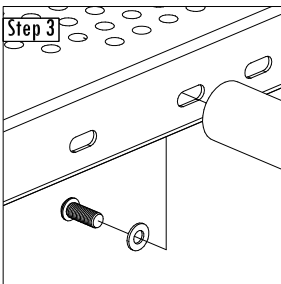
DECK HOLES USED



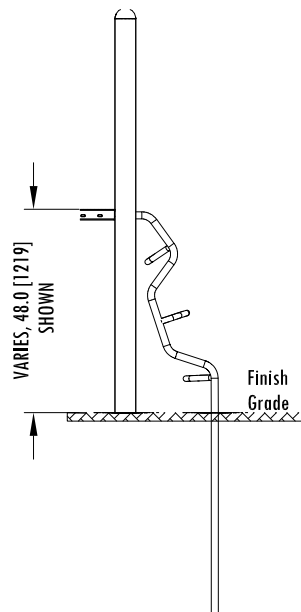
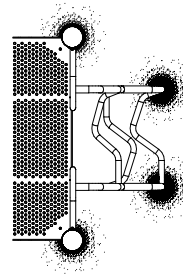
1" Button Cap Torx, Flat Washer (x2)



1" Button Cap Torx, Flat Washer, Lock Nut (x2)



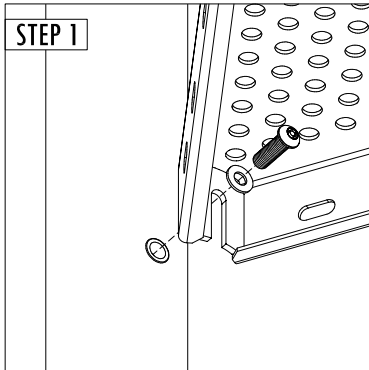
2" Button Cap Torx, Flat Washer (x2)



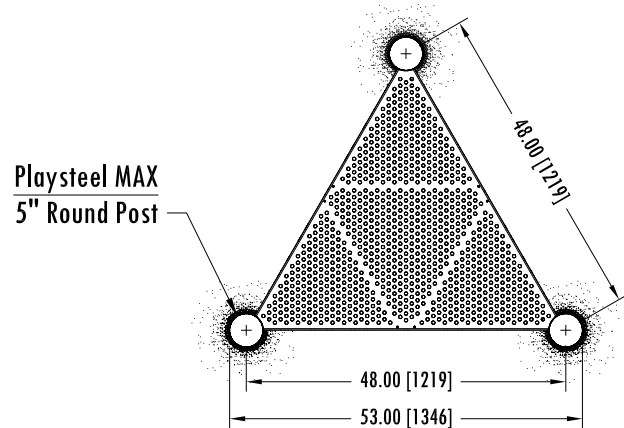
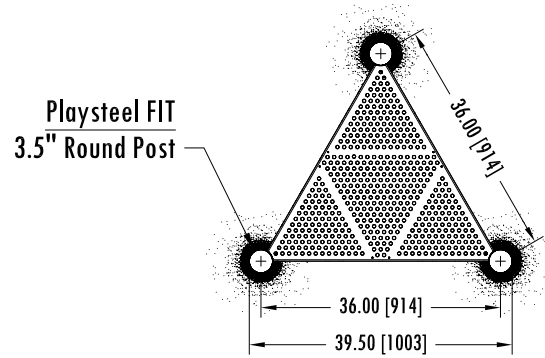
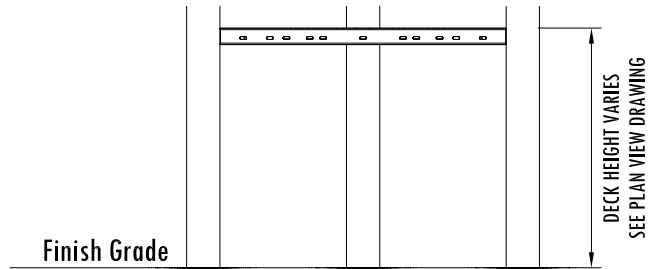
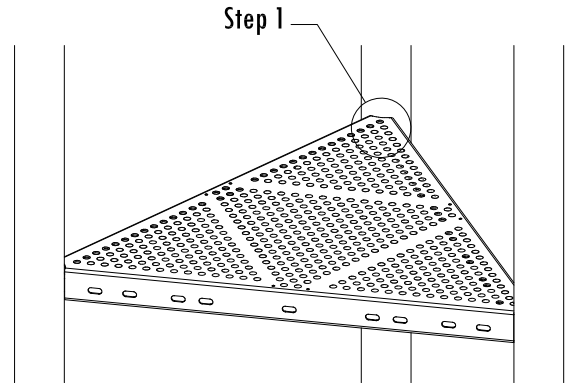
PLAYSTEEL SQ N/A	PLAYSTEEL MAX B5-CB709-00 B5-CB710-00 B5-CB711-00 B5-CB712-00	PLAYSTEEL FIT B3-CB709-00 B3-CB710-00 B3-CB711-00 B3-CB712-00	B4-CB709-00 B4-CB710-00 B4-CB711-00 B4-CB712-00	ORBIS N/A	PLAYTOTS N/A	PAGE 1 OF 1
---------------------	---	---	--	--------------	-----------------	-------------

Parts List

1	DCK01900	Triangle Deck
3	2T-0604	Button Cap Torx w/ Pin 3/8" x 1"
3	5F-0500	Flat Washer 5/16"



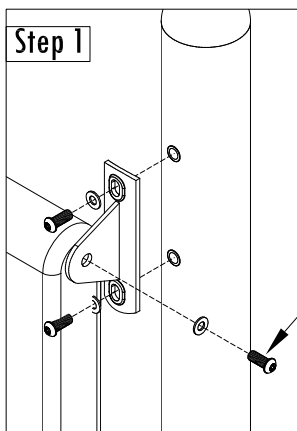
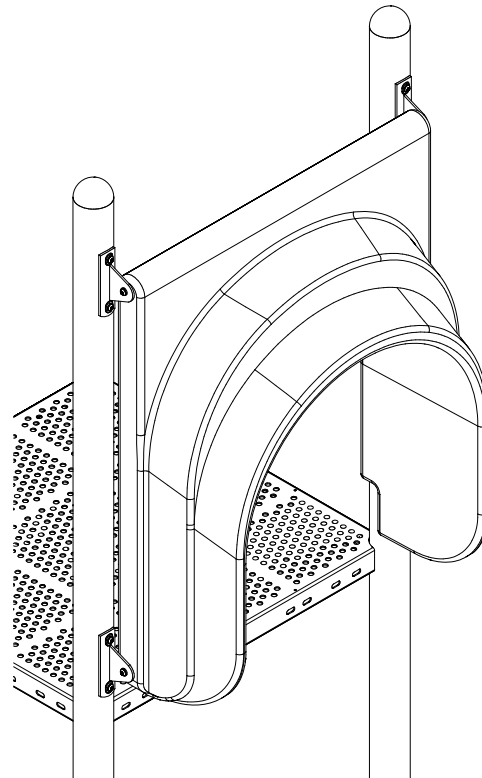
1" Button Cap, Flat Washer (x3)



Parts List

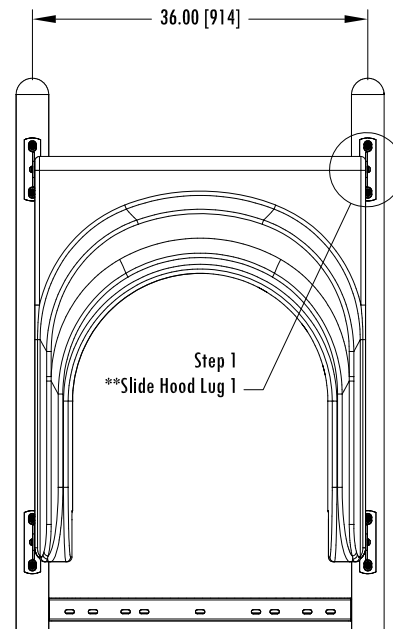
- 4 BRK12800 Slide Hood Lug 1
- 1 PPN00701 B3 Single Slide Hood

- 8 2T-0604 - Button Cap Torx w/ Pin 3/8" x 1"
- 4 2T-0606z - Button Cap Torx w/ Pin 3/8" x 1-1/2" (no locktite)
- 12 5F-0500 - Flat Washer 5/16" S/S w/ 3/8" Hole



NO LOCKTITE

1" Button Cap, Flat Washer (x8)
 1-1/2" Button Cap, Flat Washer (x4)

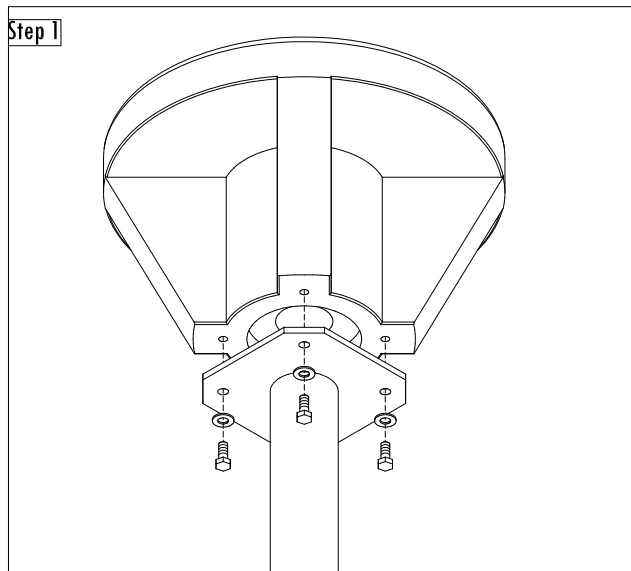
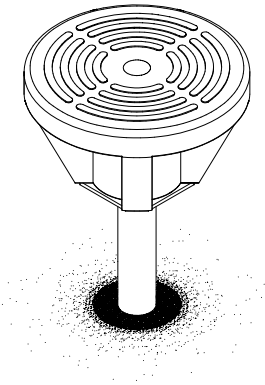


This Instruction Applies To The Following Modules :

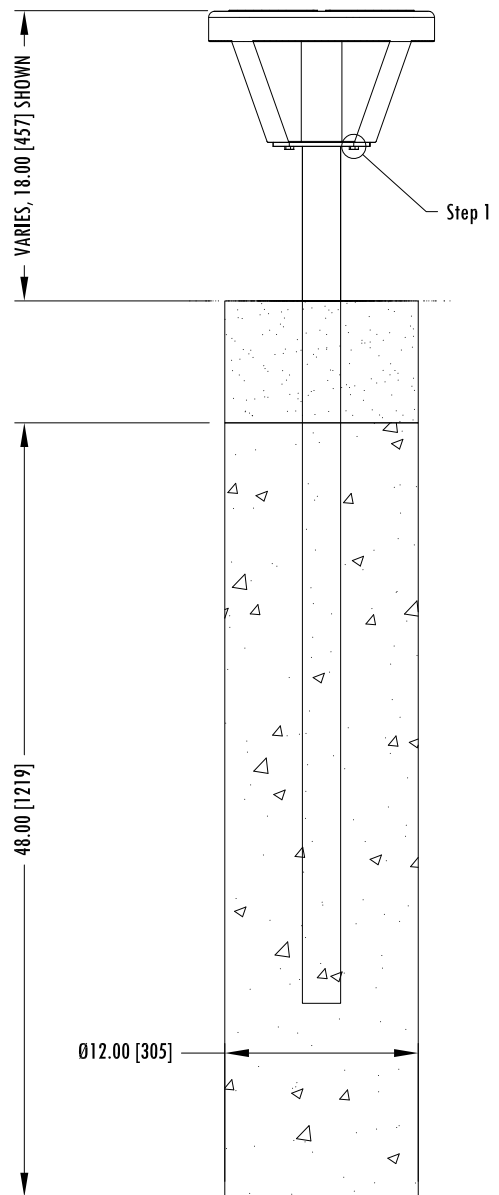
- BA012 Stepping Stone 6"
- BA013 Stepping Stone 12"
- BA014 Stepping Stone 18"
- BA017 Stepping Stone 24"
- BA018 Stepping Stone 30"

Parts List

- 1 CLAO1100 Stepping Stone
- 1 Ground Leg
- 4 1M-0504 Machine Bolt 5/16" x 1"
- 4 5F-0500 Flat Washer 5/16" S/S w/ 3/8" Hole



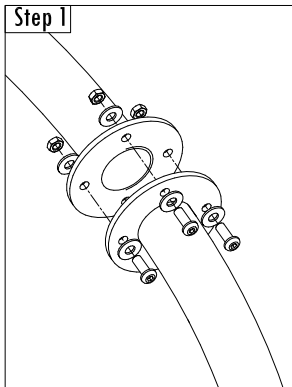
1" Machine Bolt, Flat Washer (x4)



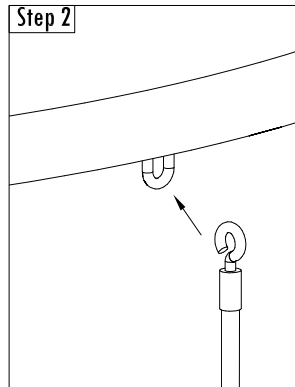
PLAYSTEEL SQ	PLAYSTEEL MAX	PLAYSTEEL FIT
P1-BA012-00	B5-BA012-00	B3-BA012-01
P1-BA013-00	B5-BA013-00	B3-BA013-01
P1-BA014-00	B5-BA014-00	B3-BA014-01
P1-BA017-00	B5-BA017-00	B3-BA017-00
P1-BA018-00	B5-BA018-00	B3-BA018-00

Parts List

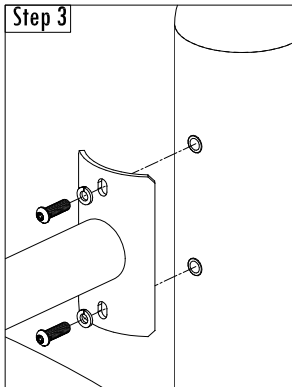
3	OR-CLM01000	Wormhole Net Assembly
6	CLM18800	Wormhole Support Beam Section
36	2T-0604	3/8" x 1" Button Cap Torx w/ Pin
24	4L-0600	3/8" Lock Nut w/ Nylon Locking
60	5F-0500	Flat Washer 5/16" S/S w/ 3/8" Hole



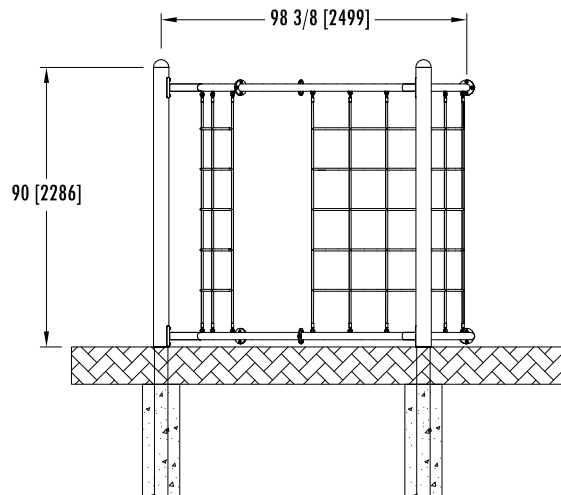
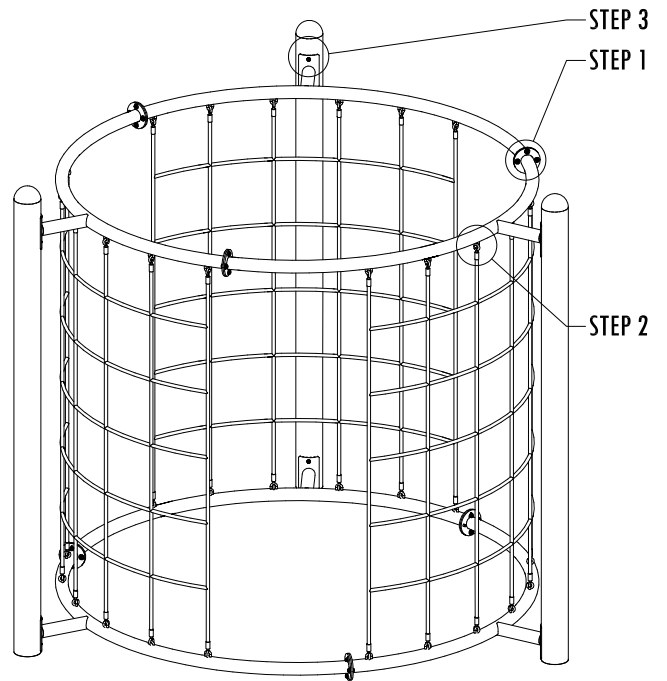
Step 1
1" Button Cap Torx w/Pin, Flat Washers, Lock Nut (x24)



Step 2
Crimp eyebolts closed, using pliers (x36)



Step 3
1" Button Cap Torx w/Pin, Flat Washer (x12)

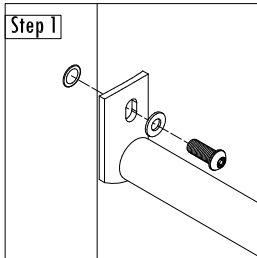
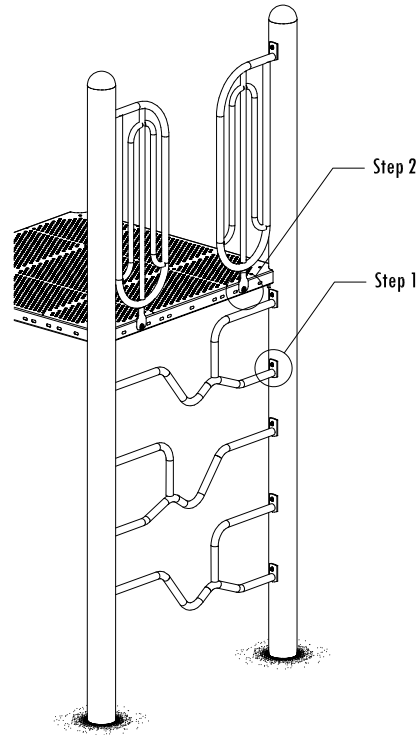


Parts List

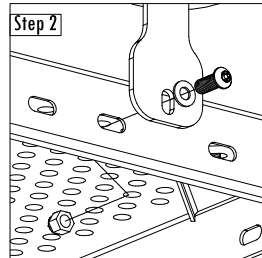
- 2 BPN002 Safety Railing
- ** CLM252 Tree Branch Climber Frame

- 28 2T-0604 - Button Cap Torx w/ Pin 3/8" x 1"
- 2 4N-0600 - Locking Flange Nut 3/8"
- 12 4R-0603 - Barrel Nut 3/8" x 3/4"
- 16 5F-0500 - Flat Washer 5/16" S/S w/ 3/8" Hole

** All Quantities May Vary



1" Button Cap Torx,
Flat Washer (x14)



1" Button Cap Torx, Flat Washer,
Locking Flange Nut (x2)

B5-CB704-00	B3-CB704-00	B4-CB704-00
B5-CB705-00	B3-CB705-00	B4-CB705-00
B5-CB706-00	B3-CB706-00	B4-CB706-00
B5-CB707-00	B3-CB707-00	B4-CB707-00
B5-CB708-00	B3-CB708-00	B4-CB708-00

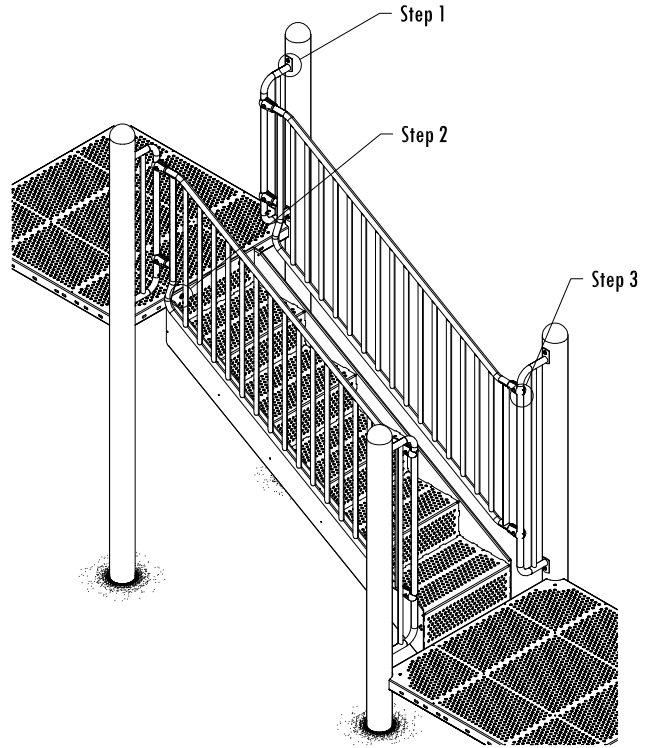
This Instruction Applies To The Following Modules :

ST061	Accessible Step Deck 12"	(1 Steps)
ST063	Accessible Step Deck 24"	(2 Steps)
ST067	Accessible Step Deck 48"	(5 Steps)
ST068	Accessible Step Deck 48"	(5 Steps)

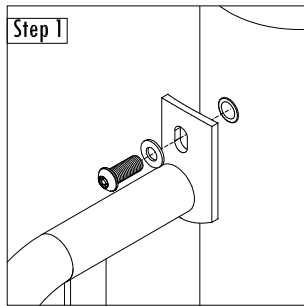
Parts List

2	BPN056	Accessible Step Deck Upper (37")
2	BPN057	Accessible Step Deck Lower (51")
8	CLP001	1.315" Tubing Clamp
2	HDR086	Accessible Step Deck Handrail
1		Accessible Stair

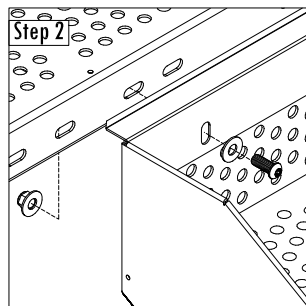
12	2T-0604	- Button Cap Torx w/ Pin 3/8" x 1"
8	2T-0610	- Button Cap Torx w/ Pin 3/8" x 1-1/2"
8	4L-0601	- SS Lock Nut 3/8"-16 UNC .41h-11/16W
4	4N-0600	- Locking Flange Nut 3/8"
12	5F-0500	- Flat Washer 5/16" S/S w/ 3/8" Hole



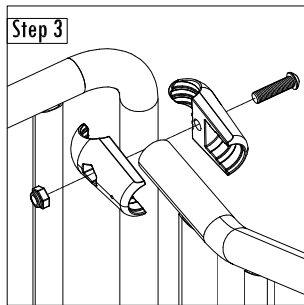
DECK HOLES USED



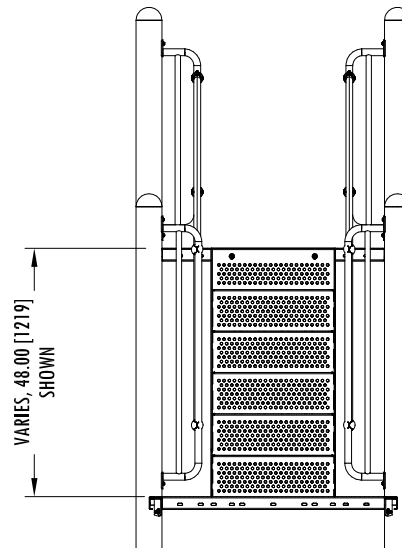
1" Button Cap, Flat Washer (x8)



1" Button Cap, Flat Washer, Locking Flange Nut (x4)



1-1/2" Button Cap Torx, Locknut (x8)



PLAYSTEEL SQ N/A	PLAYSTEEL MAX B5-ST061-03 B5-ST063-04 B5-ST067-00 B5-ST068-04	PLAYSTEEL FIT B3-ST061-05 B3-ST063-05 B3-ST067-00 B3-ST068-05	B4-ST061-05 B4-ST063-04 B4-ST067-00 B4-ST068-05	ORBIS N/A	PLAYTOTS N/A	PAGE 1 OF 1
---------------------	---	---	--	--------------	-----------------	-------------

This Instruction Applies To The Following Modules :

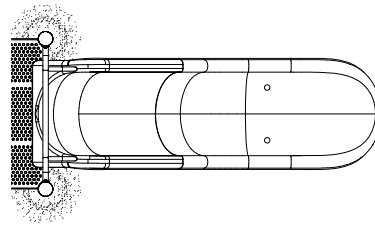
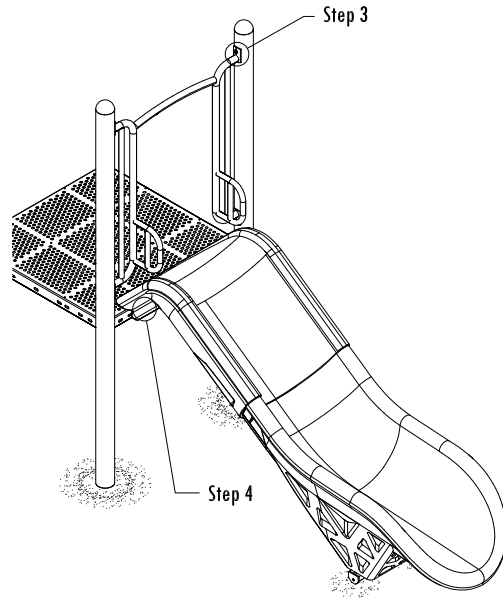
- | | |
|--|---|
| SL263 Open Starglide Slide Straight 3' | SL286 Open Starglide Slide Veer Left 6' |
| SL264 Open Starglide Slide Straight 4' | SL287 Open Starglide Slide Veer Left 7' |
| SL265 Open Starglide Slide Straight 5' | SL288 Open Starglide Slide Veer Left 8' |
| SL266 Open Starglide Slide Straight 6' | SL297 Open Starglide Slide Turn Right 7' |
| SL267 Open Starglide Slide Straight 7' | SL298 Open Starglide Slide Turn Right 8' |
| SL268 Open Starglide Slide Straight 8' | SL307 Open Starglide Slide Turn Left 7' |
| SL275 Open Starglide Slide Veer Right 5' | SL308 Open Starglide Slide Turn Left 8' |
| SL276 Open Starglide Slide Veer Right 6' | SL317 Open Starglide Slide Snake Right 7' |
| SL277 Open Starglide Slide Veer Right 7' | SL318 Open Starglide Slide Snake Right 8' |
| SL278 Open Starglide Slide Veer Right 8' | SL327 Open Starglide Slide Snake Left 7' |
| SL285 Open Starglide Slide Veer Left 5' | SL328 Open Starglide Slide Snake Left 8' |

Parts List

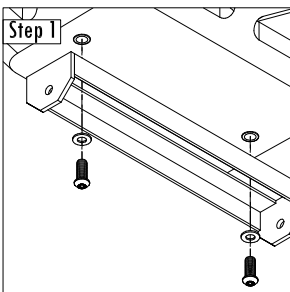
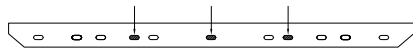
- 1 Open Stargate Slide Assembly
 - 1 1M-P1-GND00100-00 Universal Ground Leg Mount
 - 2 1M-P1-GND00200-00 Universal Ground Leg
 - 1 1M-B3-BPN06000-00 Open Starglide Entry Rail
 - 1* 1S-P1-GND02500-00 Starglide Support Leg (6' or higher slides)
- *Quantity specified on Starglide Sectional Slide configuration diagram.

- 6 2T-0604 - Button Cap Torx w/ Pin 3/8" x 1"
- 3 2T-0606 - Button Cap Torx w/ Pin 3/8" x 1-1/2"
- 2 4L-0600 - Lock Nut w/ Nylon Locking 3/8"
- 14 5F-0500 - Flat Washer 5/16" S/S w/ 3/8" Hole

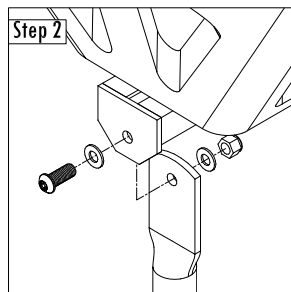
For slides shipped in sections, assemble with (5) 3/8" x 3-1/2" Torx, flatwashers, 1/2" flatwasher and spenco nuts.



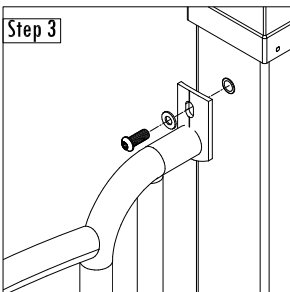
DECK HOLES USED



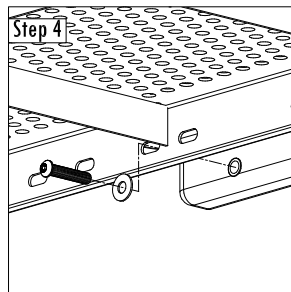
1" Button Cap Torx, Flat Washer (x2)



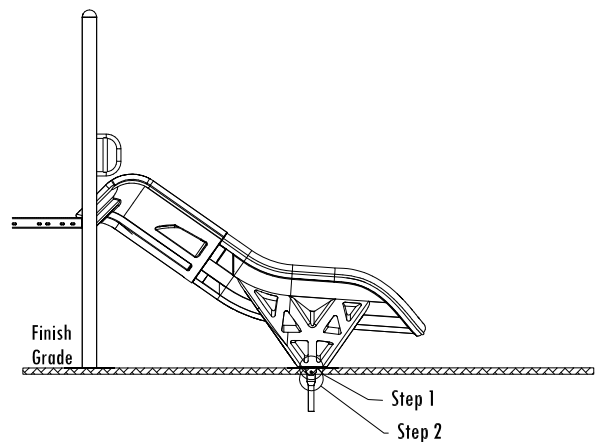
1" Button Cap Torx, Flat Washer, Lock Nut (x2)



1" Button Cap Torx, Flat Washer (x4)

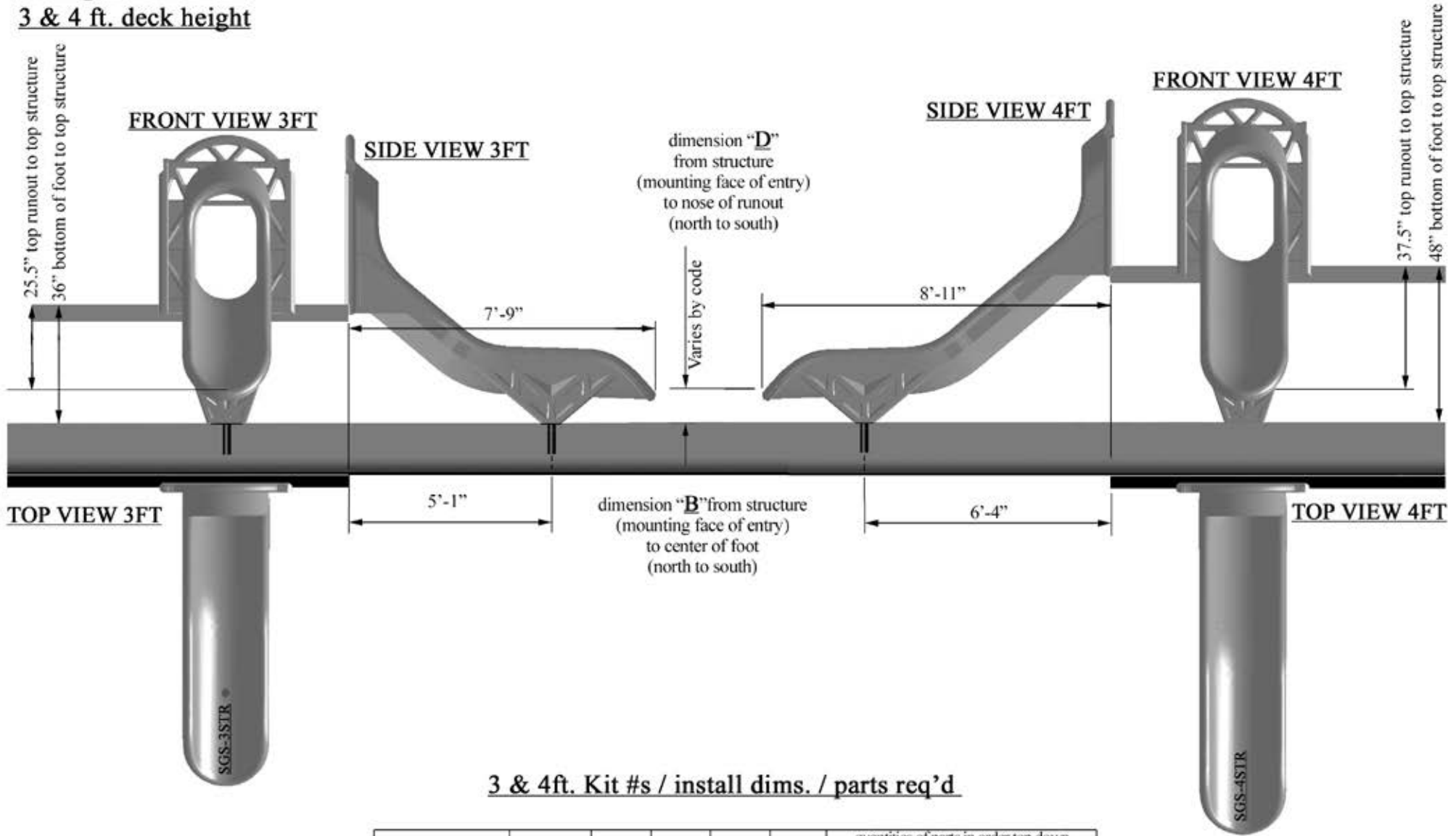


1 1/2" Button Cap Torx, Flat Washer (x3)



**Star Gate Sectional Slide
Configurations from
3 & 4 ft. deck height**

3 & 4 ft Slides



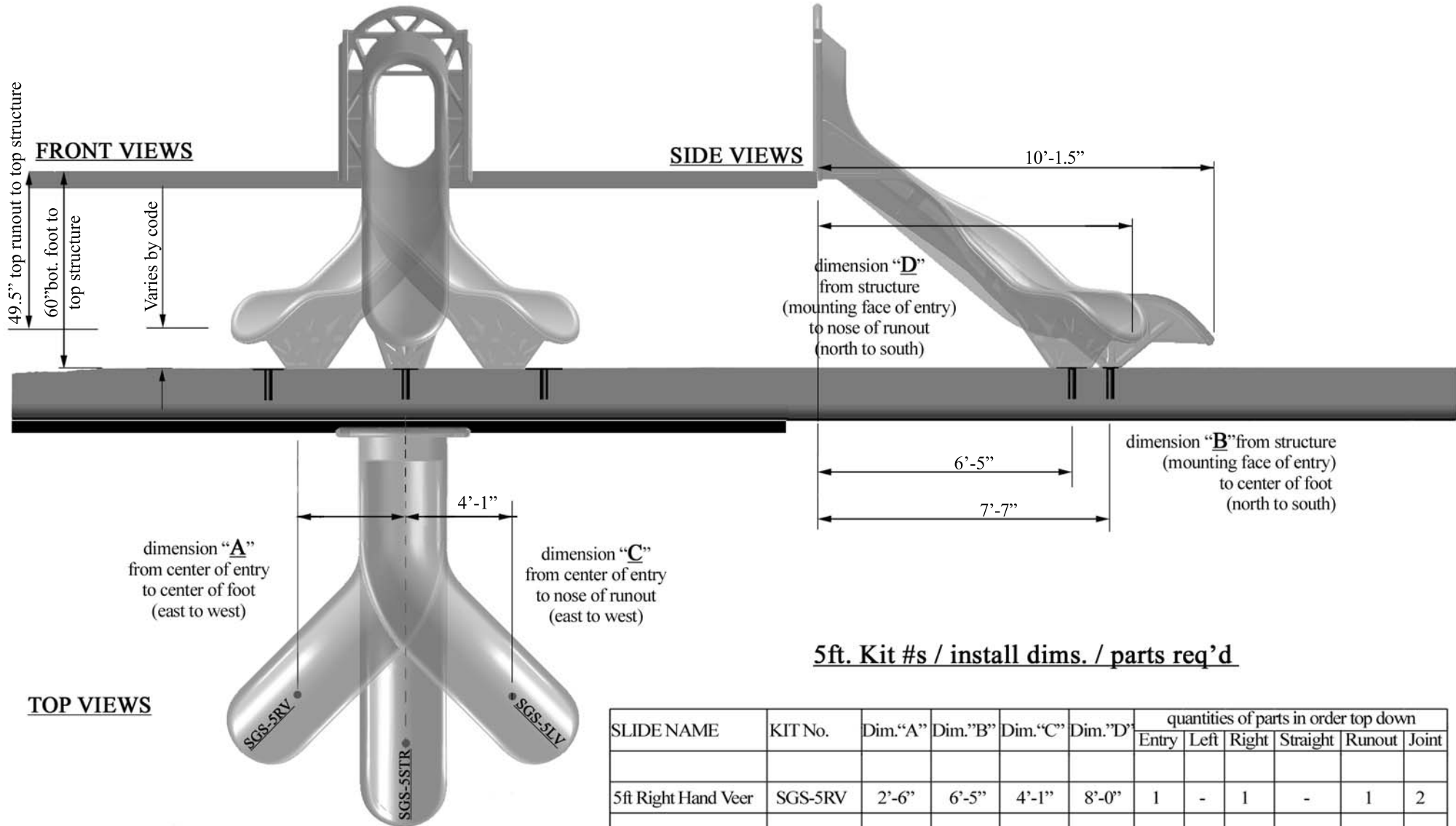
3 & 4ft. Kit #s / install dims. / parts req'd

SLIDE NAME	KIT No.	Dim."A"	Dim."B"	Dim."C"	Dim."D"	quantities of parts in order top down					
						Entry	Left	Right	Straight	Runout	Joint
3ft Straight	SGS-3STR	0"	5'-1"	0"	7'-9"	1	-	-	-	1	1
4ft Straight	SGS-4STR	0"	6'-4"	0"	8'-11"	1	-	-	1	1	2



**Star Gate Sectional Slide
Configurations from
5 ft. deck height**

5ft Slides



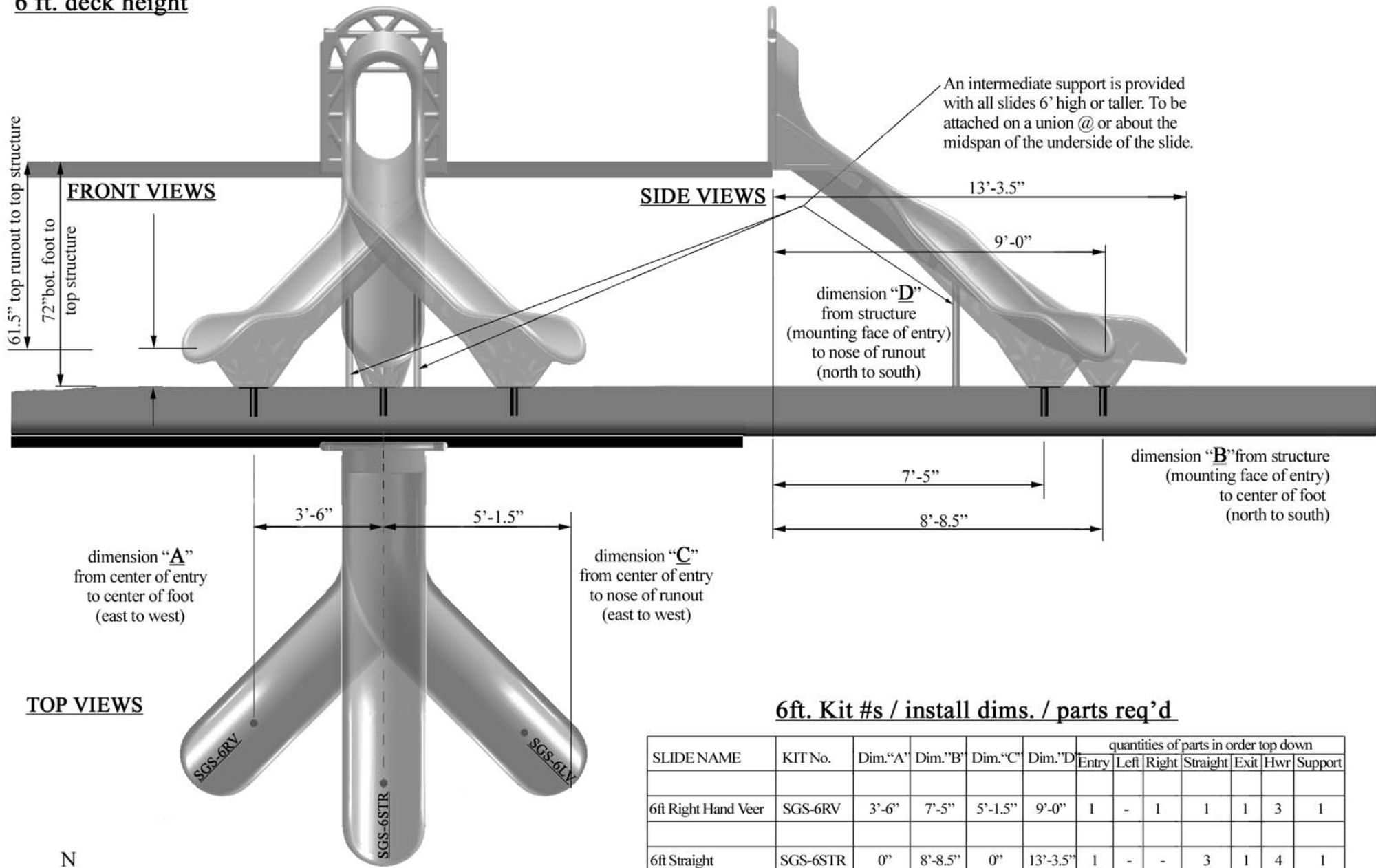
5ft. Kit #s / install dims. / parts req'd

SLIDE NAME	KIT No.	Dim."A"	Dim."B"	Dim."C"	Dim."D"	quantities of parts in order top down					
						Entry	Left	Right	Straight	Runout	Joint
5ft Right Hand Veer	SGS-5RV	2'-6"	6'-5"	4'-1"	8'-0"	1	-	1	-	1	2
5ft Straight	SGS-5STR	0"	7'-7"	0"	10'-1.5"	1	-	-	2	1	3
5ft Left Hand Veer	SGS-5LV	2'-6"	6'-5"	4'-1"	8'-0"	1	1	-	-	1	2



**Star Gate Sectional Slide
Configurations from
6 ft. deck height**

6ft Slides



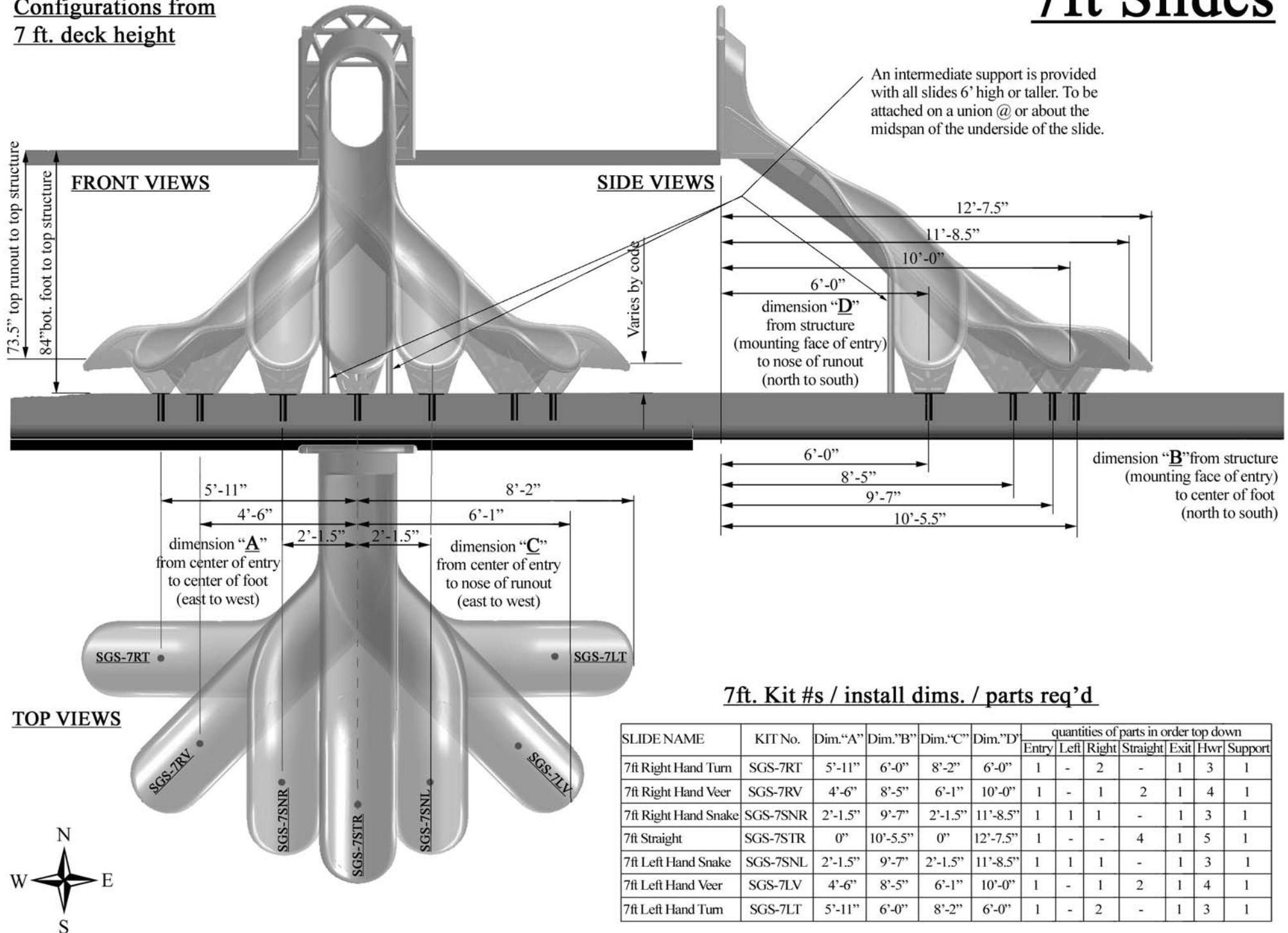
6ft. Kit #s / install dims. / parts req'd

SLIDE NAME	KIT No.	Dim."A"	Dim."B"	Dim."C"	Dim."D"	quantities of parts in order top down						
						Entry	Left	Right	Straight	Exit	Hwr	Support
6ft Right Hand Veer	SGS-6RV	3'-6"	7'-5"	5'-1.5"	9'-0"	1	-	1	1	1	3	1
6ft Straight	SGS-6STR	0"	8'-8.5"	0"	13'-3.5"	1	-	-	3	1	4	1
6ft Left Hand Veer	SGS-6LV	3'-6"	7'-5"	5'-1.5"	9'-0"	1	1	-	1	1	3	1



**Star Gate Sectional Slide
Configurations from
7 ft. deck height**

7ft Slides



Star Gate Sectional Slide Configurations from 8 ft. deck height

8ft Slides

