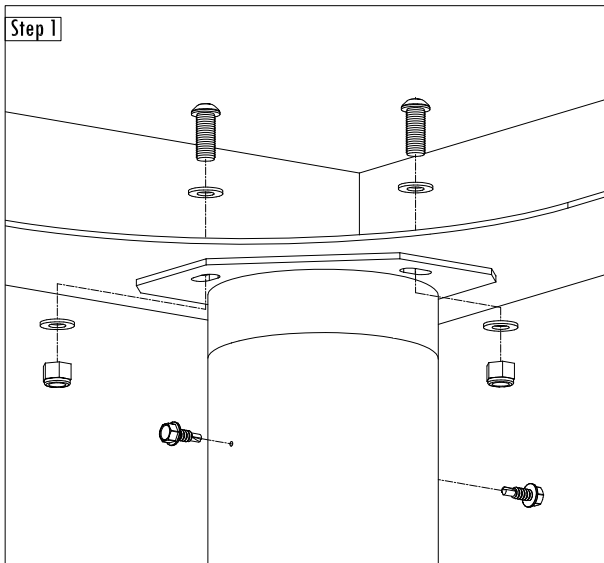
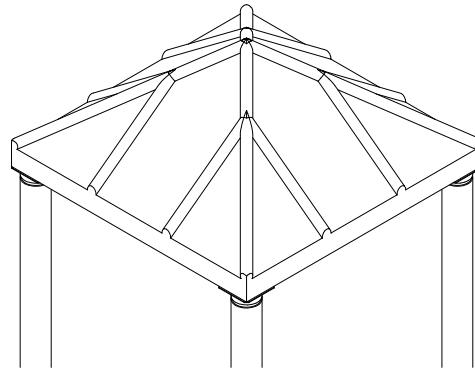
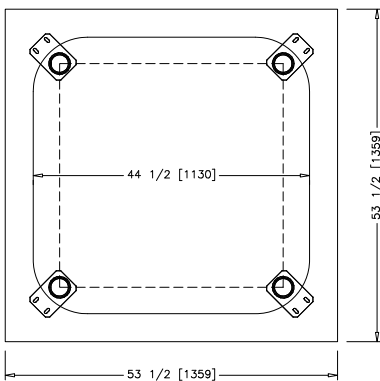
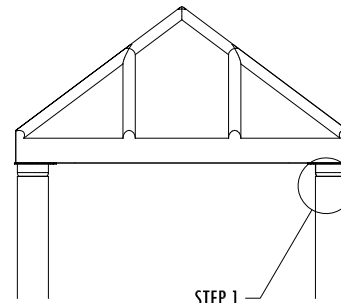
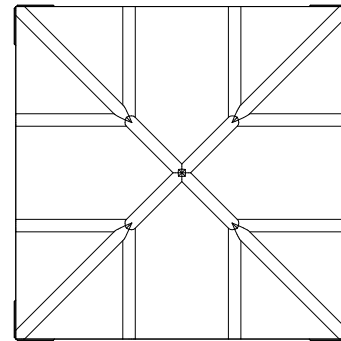


### Parts List

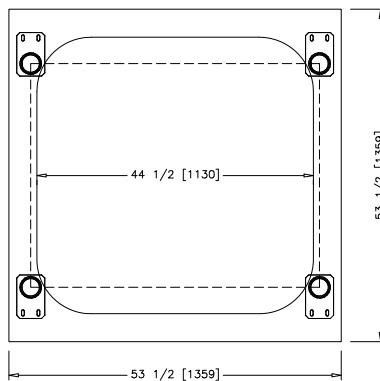
- 4 BRK00900 B5 Pyramid Roof Bracket
- 1 ROF01100 Pyramid Plastic Roof
  
- 8 2T-0604 - Button Cap Torx 3/8" x 1"
- 8 3V-0603 - Self Tapping Screw 3/8" x 3/4"
- 8 4L-0600 - Lock Nut W/ Nylon Locking 3/8"
- 16 5F-0500 - Flat Washer 5/16" S/S w/ 3/8" Hole



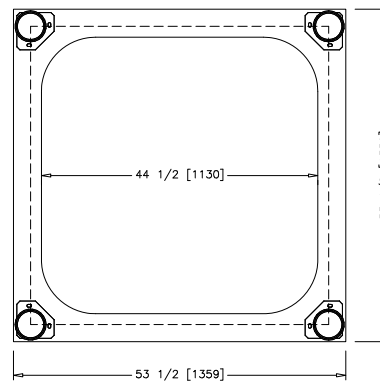
Carefully lift roof into place on top of roof brackets. Mark hole locations with marker. Remove roof to the ground and drill a hole in each of the marked locations. Replace roof on top of roof brackets and secure with 1" Button Cap Torx, Flat Washer, Lock Nut (x8) Secure bracket to post with Self Tapping Screws (x8)



**ROOF ON PLAYSTEEL FIT  
OVER SQUARE DECK**



**ROOF ON PLAYSTEEL FIT  
OVER RECTANGLE DECK**

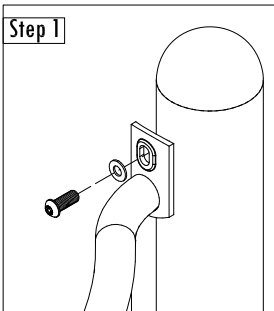


**ROOF ON PLAYSTEEL MAX  
OVER SQUARE DECK**

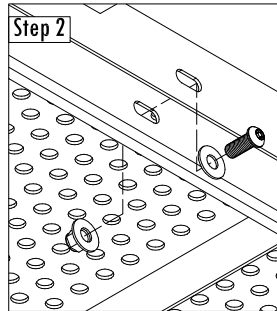
### Parts List

1		Balcony Panel
1	FRM058	Balcony Deck Frame
1	SHP374	Balcony Deck Non-Skid
10	2T-0604	Button Cap Torx w/ Pin 3/8" x 1"
4	4N-0600	Locking Flange Nut 3/8"
2	4R-0603	Barrel Nut 3/8" x 3/4"
10	5F-0500	Flat Washer 5/16" S/S w/ 3/8" Hole

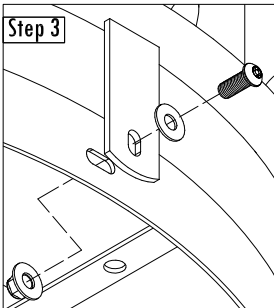
### DECK HOLES USED



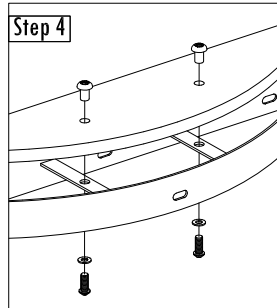
Step 1  
1" Button Cap Torx, Flat Washer (x4)



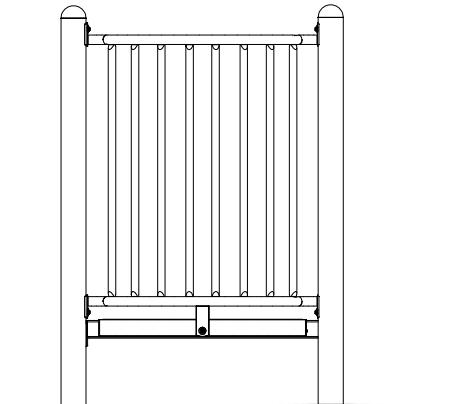
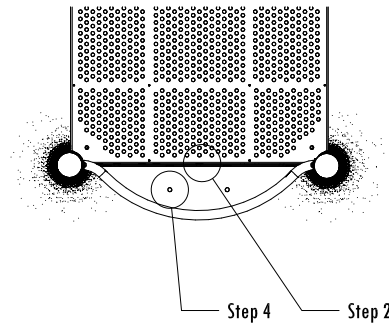
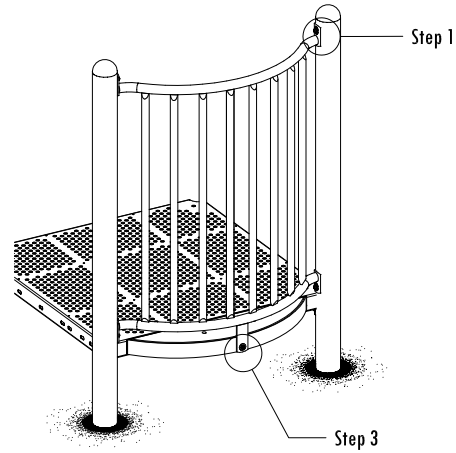
Step 2  
1" Button Cap Torx, Flat Washer, Locking Flange Nut (x3)



Step 3  
1" Button Cap Torx, Flat Washer, Locking Flange Nut (x1)



Step 4  
1" Button Cap Torx, Flat Washer, Barrel Nut (x2)



**This Instruction Applies To The Following Modules :**

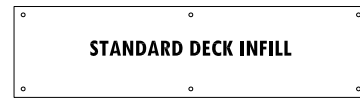
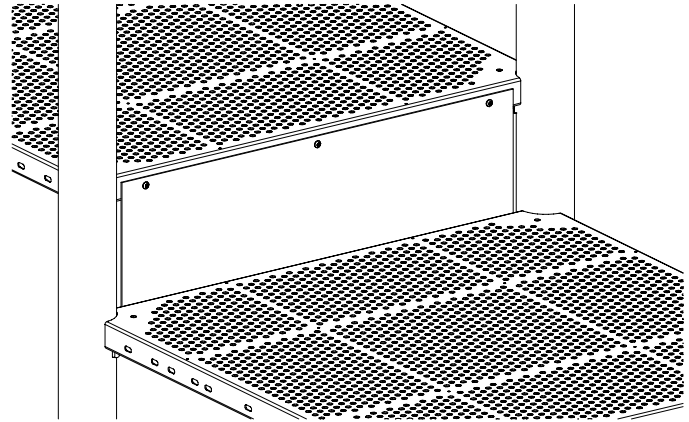
IN001	Infill Panel 6"	IN011	Infill Panel 8"
IN002	Infill Panel 12"	IN012	Infill Panel 8" - Split Deck
IN004	Infill Panel 24"	IN013	Infill Panel 48"
IN006	Infill Panel 36"	IN014	Infill Panel 16"
IN008	Infill Panel 12" - Split Deck	IN015	Infill Panel 6" - Split Deck

**Parts List**

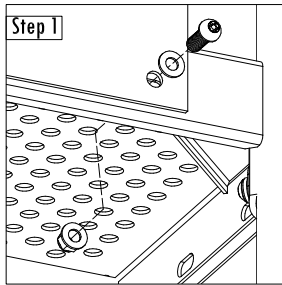
- 1 Steel Infill Panel
- 6 2T-0604 - Button Cap Torx w/ Pin 3/8" x 1"
- 6 4N-0600 - Locking Flange Nut 3/8"
- 6 5F-0500 - Flat Washer 5/16" S/S w/ 3/8" Hole

**Installation Notes**

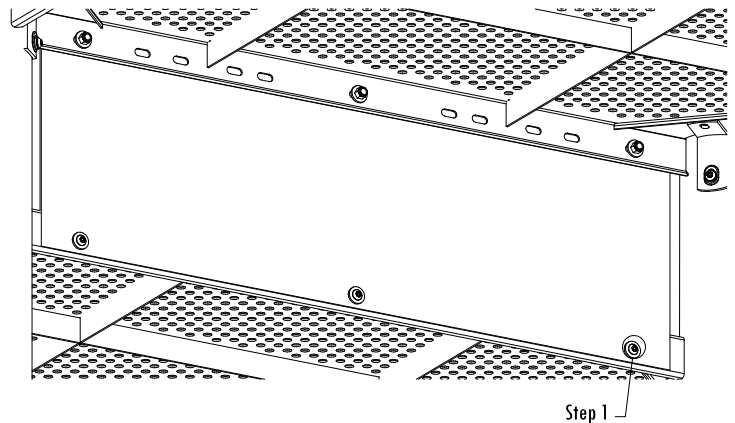
6", 8", 12", 16", 24", 36", and 48" infills are to be installed between decks with a 6", 8", 12", 16", 24", 36" and 48" height difference, respectively.  
 Infill Panels come in 2 different widths depending on deck configurations. See Diagram to the right for proper configuration sizes.



DECK HOLES USED



1" Button Cap Torx, Flat Washer, Locking Flange Nut (x6)

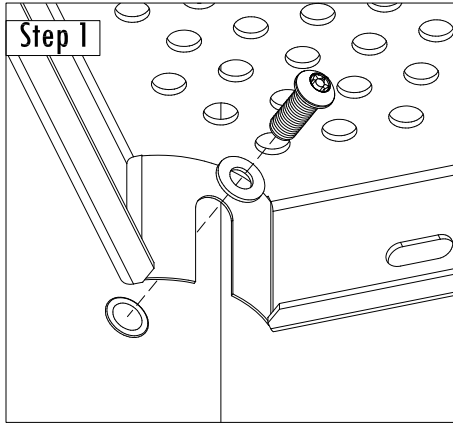


OFFICE USE ONLY

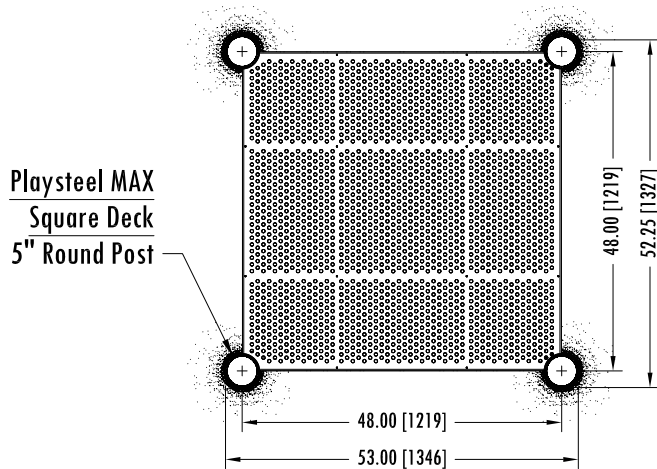
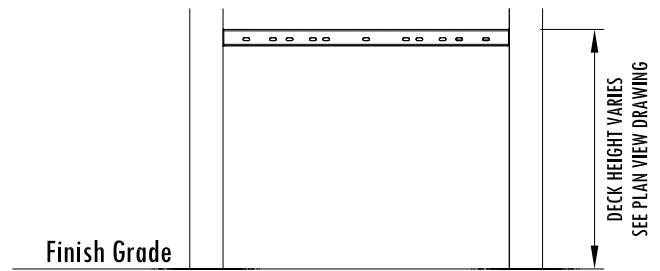
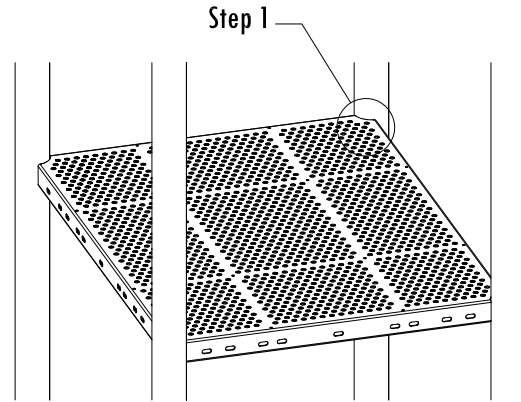
PLAYSTEEL SQ N/A	PLAYSTEEL MAX B5-IN001-01 B5-IN002-01 B5-IN004-01 B5-IN006-01 B5-IN008-01 B5-IN011-01 B5-IN012-00 B5-IN013-01	B5-IN014-01 B5-IN015-01	PLAYSTEEL FIT B3-IN001-01 B3-IN002-01 B3-IN004-01 B3-IN006-01 B3-IN008-01 B3-IN011-01 B3-IN012-00 B3-IN013-01	B3-IN014-01 B3-IN015-01 B4-IN002-01	ORBIS N/A	PLAYTOTS N/A	PAGE 1 OF 1
---------------------	---	----------------------------	---	---	--------------	-----------------	-------------

### Parts List

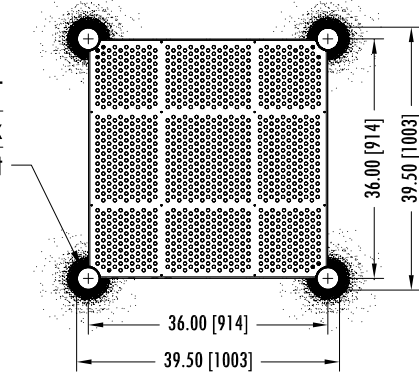
1		Deck
4	2T-0604	Button Cap Torx w/ Pin 3/8" x 1"
4	5F-0500	Flat Washer 5/16" S/S w/ 3/8" Hole



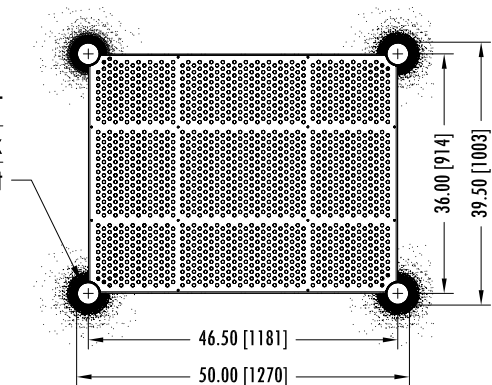
1" Button Cap, Flat Washer (x4)



Playsteel FIT  
Square Deck  
3.5" Round Post

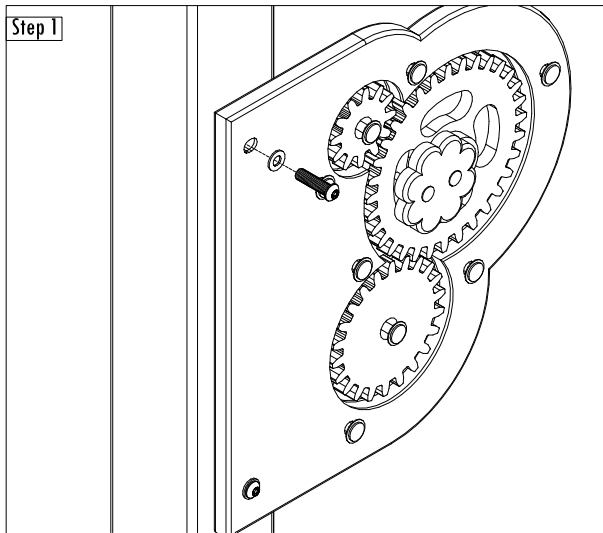


Playsteel FIT  
Rectangle Deck  
3.5" Round Post

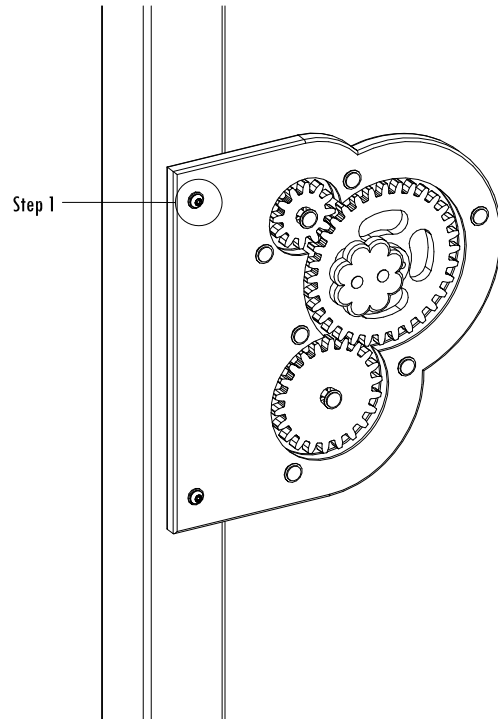


### Parts List

- 1 Mini Game Panel Assembly
- 2 2T-0606 - 1 1/2" Button Cap Torx w/Pin
- 2 5F-0500 - Flat Washer 5/16" S/S w/ 3/8" Hole

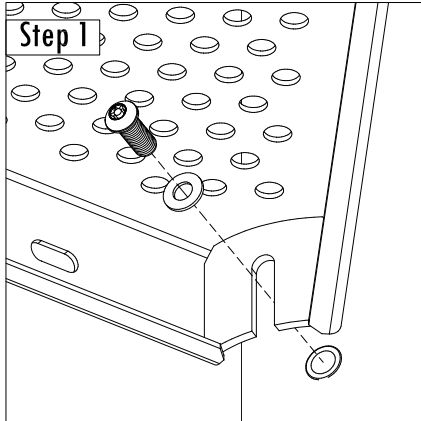


1-1/2" Button Cap Torx, Flat Washer (x2)

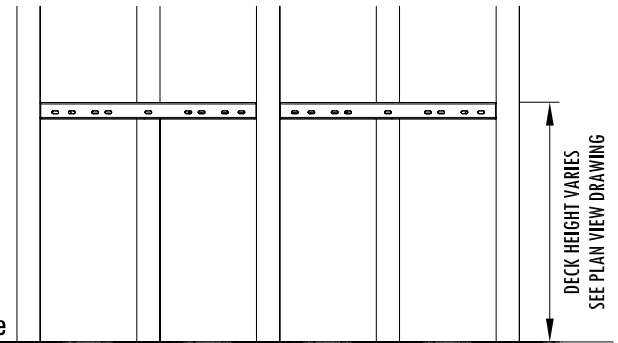
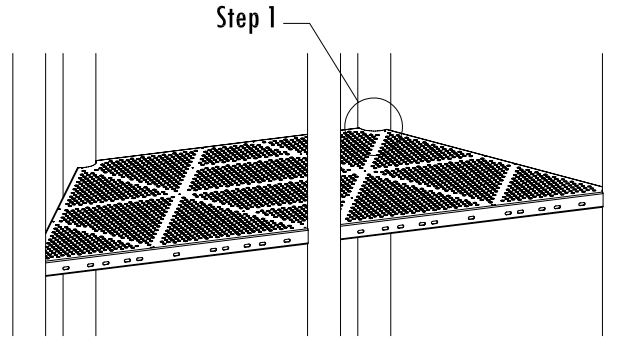


### Parts List

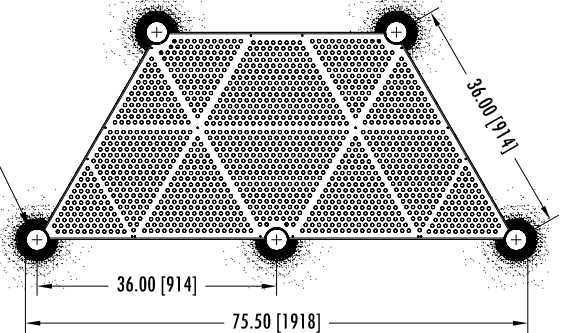
1	DCK02600	Half Hex Deck
5	2T-0604	Button Cap Torx w/ Pin 3/8" x 1"
5	5F-0500	Flat Washer 5/16" S/S w/ 3/8" Hole



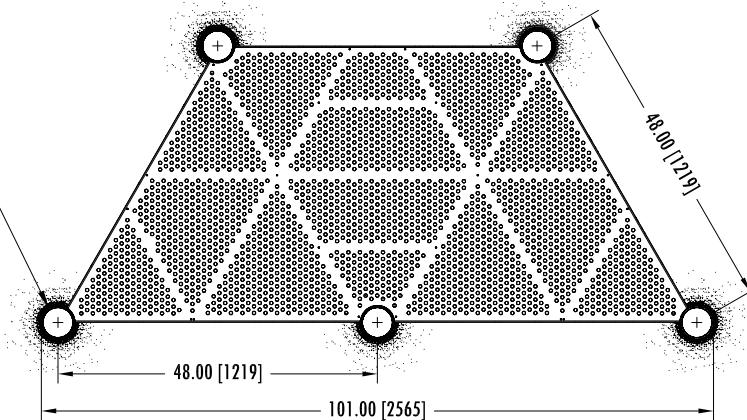
1" Button Cap, Flat Washer (x5)



Playsteel FIT  
3.5" Round Post

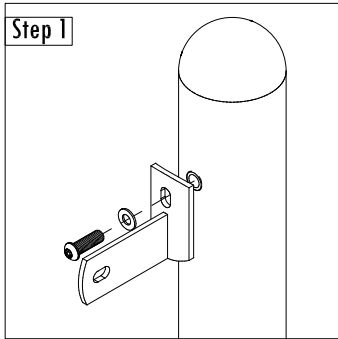
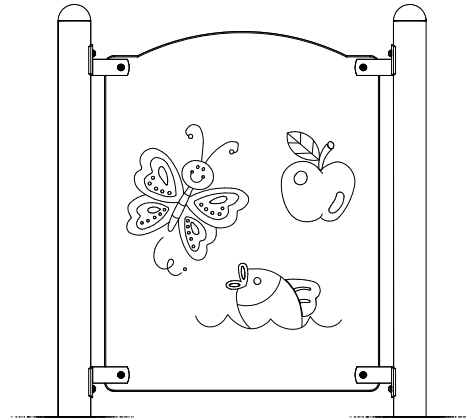


Playsteel MAX  
5" Round Post

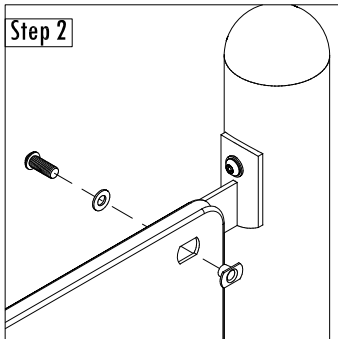


### Parts List

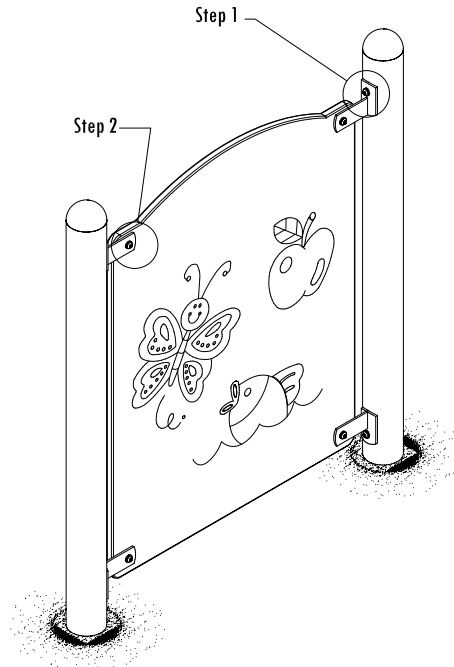
- 1 Sheet Plastic Panel
- 4 BRK00400 Sheet Plastic Bracket
- 8 2T-0604 - Button Cap Torx w/ Pin 3/8" x 1"
- 4 4D-0600 - T Nut 3/8"
- 8 5F-0500 - Flat Washer 5/16" S/S w/ 3/8" Hole



1" Button Cap, Flat Washer (x4)



1" Button Cap, Flat Washer, T Nut (x4)



OFFICE USE ONLY

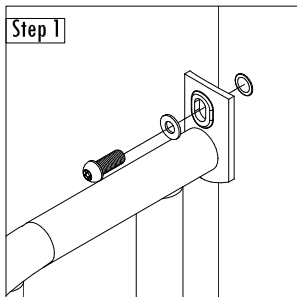
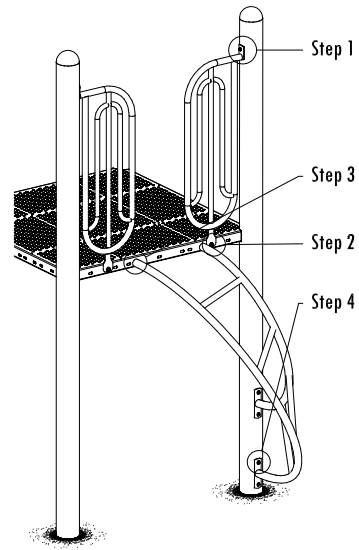
12/20/2012

**PLAYSTEEL FIT:**

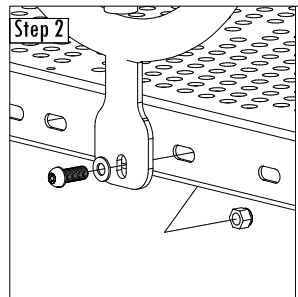
B3 MODULES	B3-AP002-01	B3-AP017-01	B3-AP036-01	B3-AP067-01	B3-AP084-01	B3-AP111-01	B3-AP129-02	B3-AP150-00	B3-AP157-00
	B3-AP004-01	B3-AP019-01	B3-AP037-01	B3-AP068-01	B3-AP086-01	B3-AP114-01	B3-AP130-02	B3-AP151-00	B3-AP163-00
	B3-AP006-01	B3-AP021-01	B3-AP058-01	B3-AP069-01	B3-AP093-00	B3-AP116-01	B3-AP132-02	B3-AP152-00	
	B3-AP010-01	B3-AP023-01	B3-AP059-01	B3-AP072-01	B3-AP096-01	B3-AP118-01	B3-AP143-01	B3-AP153-00	
	B3-AP013-01	B3-AP027-01	B3-AP062-01	B3-AP078-01	B3-AP104-01	B3-AP119-01	B3-AP145-01	B3-AP154-00	
	B3-AP015-01	B3-AP034-01	B3-AP064-01	B3-AP080-01	B3-AP108-01	B3-AP121-01	B3-AP146-01	B3-AP156-00	
B4 MODULES	B4-AP002-01	B4-AP017-01	B4-AP036-01	B4-AP067-01	B4-AP084-01	B4-AP111-01	B4-AP129-01	B4-AP146-01	B4-AP156-00
	B4-AP004-01	B4-AP019-01	B4-AP037-01	B4-AP068-01	B4-AP086-01	B4-AP114-01	B4-AP130-01	B4-AP150-00	B4-AP157-00
	B4-AP006-01	B4-AP021-01	B4-AP058-01	B4-AP069-01	B4-AP093-00	B4-AP116-01	B4-AP132-01	B4-AP151-00	B4-AP163-00
	B4-AP010-01	B4-AP023-01	B4-AP059-01	B4-AP072-01	B4-AP096-01	B4-AP118-01	B4-AP139-01	B4-AP152-00	
	B4-AP013-01	B4-AP027-01	B4-AP062-01	B4-AP078-01	B4-AP104-01	B4-AP119-01	B4-AP143-01	B4-AP153-00	
	B4-AP015-01	B4-AP034-01	B4-AP064-01	B4-AP080-01	B4-AP108-01	B4-AP121-01	B4-AP145-01	B4-AP154-00	

### Parts List

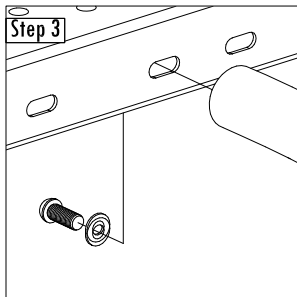
- 1 Twisted Arch Climber
- 2 Safety Railing
- 8 2T-0604 - Button Cap Torx w/ Pin 3/8" x 1"
- 2 2T-0610 - Button Cap Torx w/ Pin 3/8" x 2-1/2"
- 2 4L-0600 - Lock Nut w/ Nylon Locking 3/8"
- 10 5F-0500 - Flat Washer 5/16" S/S w/ 3/8" Hole



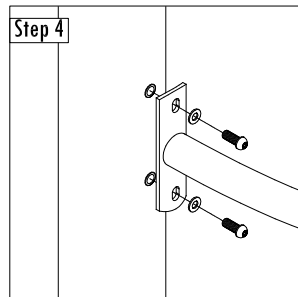
Step 1  
1" Button Cap Torx, Flat Washer (x2)



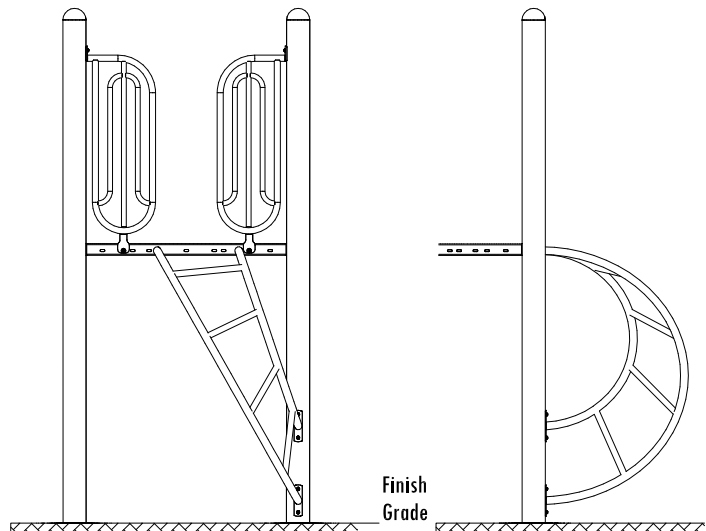
Step 2  
1" Button Cap Torx, Flat Washer, Lock Nut (2)



Step 3  
2" Button Cap Torx, Flat Washer (x2)



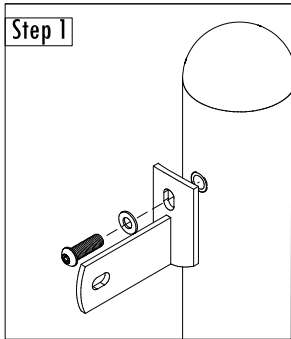
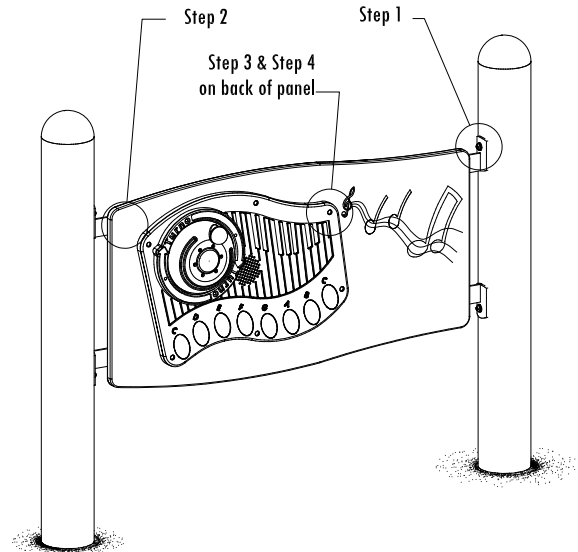
Step 4  
1" Button Cap Torx, Flat Washer (x4)



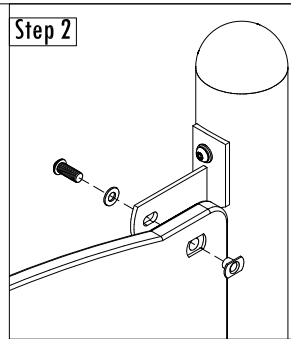


### Parts List

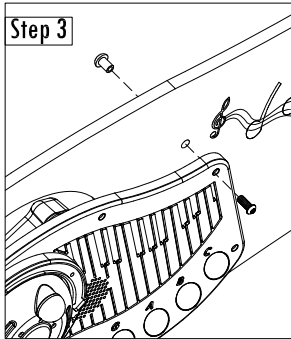
- 1 Plastic Panel (2 parts)
- 1 Sound Insert Panel
- 4 BRK00400 Sheet Plastic Bracket
- 14 2T-0604 - Button Cap Torx w/ Pin 3/8" x 1"
- 4 4D-0600 - T Nut 3/8"
- 6 4R-0603 - Barrel Nut 3/8" x 3/4"
- 8 5F-0500 - Flat Washer 5/16" S/S w/ 3/8" Hole
- 4 7X-0405 - 1/4" x 1-1/4" Screw



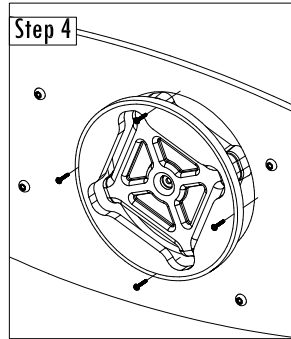
1" Button Cap, Flat Washer (x4)



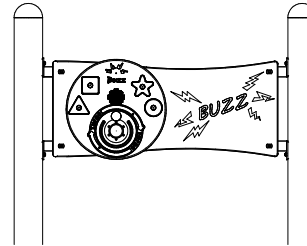
1" Button Cap, Flat Washer, T Nut (x4)



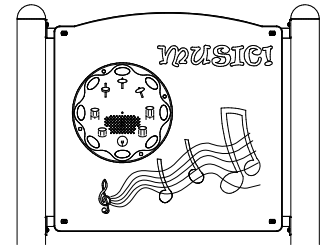
1" Button Cap, Barrel Nut (x6)



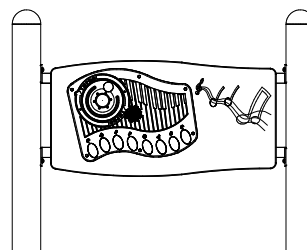
1/4" x 1-1/4" Screw (x4)



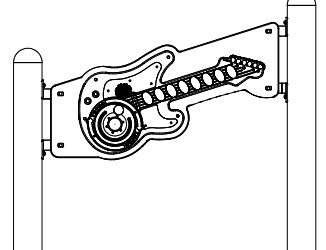
AP178-00 - Reactions Buzz Sound Panel



AP179-00 - Drum Sound Panel



AP181-00 - Piano Sound Panel



AP191-00 - Guitar Sound Panel

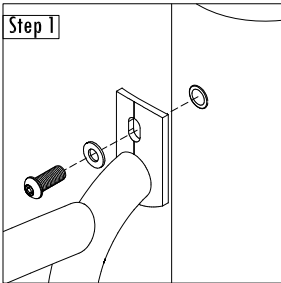
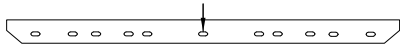
**This Instruction Applies To The Following Modules :**

- AP033 Vertical Rail Panel
- AP051 Vertical Rail Mounting Panel

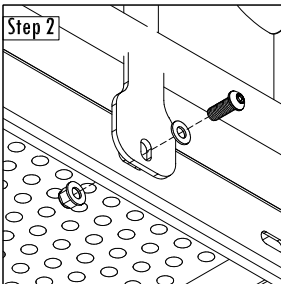
**Parts List**

- 1 Vertical Rail
- 3 2T-0604 - Button Cap Torx w/ Pin 3/8" x 1"
- 1 4N-0600 - Locking Flange Nut 3/8"
- 3 5F-0500 - Flat Washer 5/16" S/S w/ 3/8" Hole

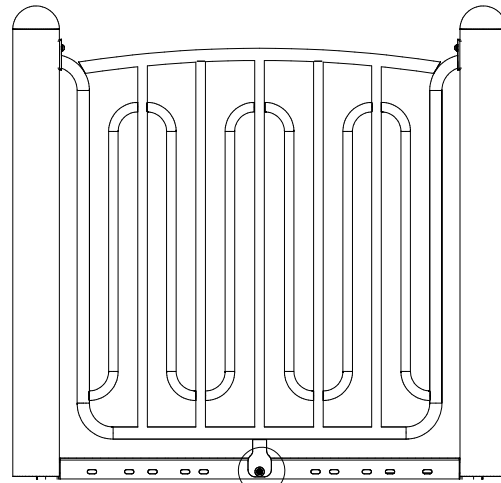
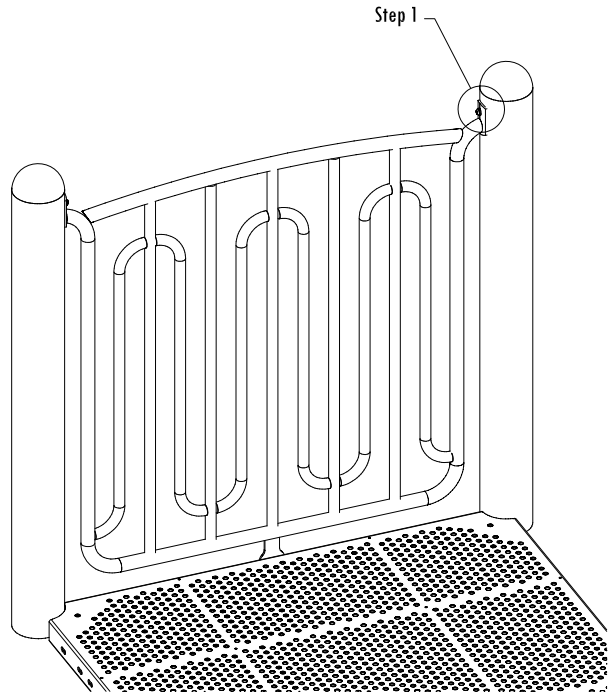
DECK HOLES USED



1" Button Cap, Flat Washer (x2)



1" Button Cap, Flat Washer,  
Locking Flange Nut (x1)



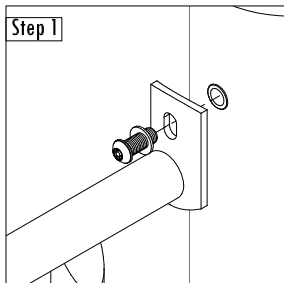
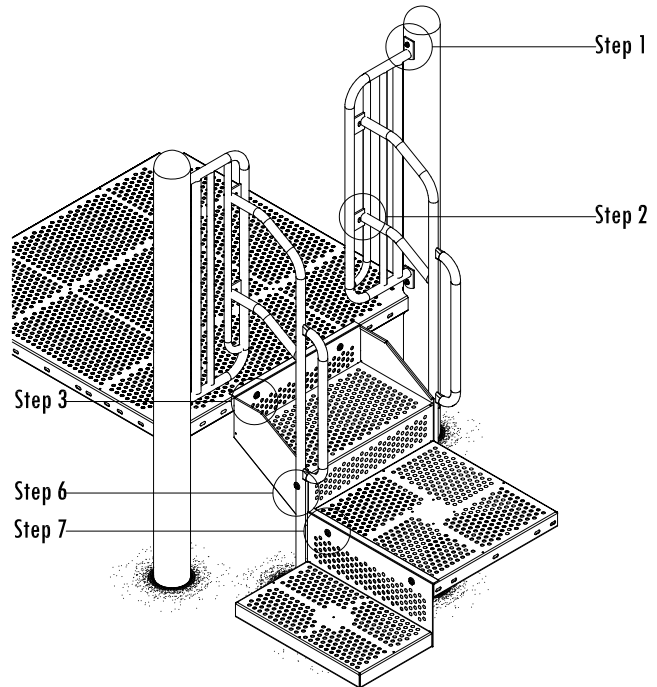
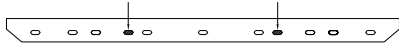
**This Instruction Applies To The Following Modules :**

- ST092 & ST102 - Transfer Station 2FT
- ST093 & ST103 - Transfer Station 3FT
- ST094 & ST104 - Transfer Station 4FT
- ST095 & ST105 - Transfer Station 5FT

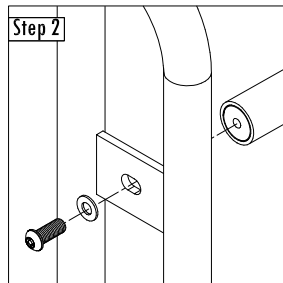
**Parts List**

2	GND1000	Transfer Station Ground Leg
2	HDR01300	Stair Barrier Rail- Upper 16"
2		Transfer Step Handrails
1	DCK02500	Transfer Deck
1		Accessible Stair
1	STR03500	Transfer Station Step
24	2T-0604	Button Cap Torx w/Pin 3/8" x 1"
2	2T-0608	Button Cap Torx w/Pin 3/8" x 2"
2	4L-0600	Lock Nut w/ Nylon Locking 3/8"
16	4N-0600	Locking Flange Nut 3/8"
26	5F-0500	Flat Washer 5/16" S/S w/ 3/8" Hole

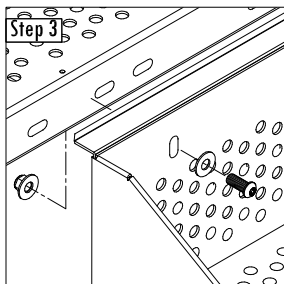
**DECK HOLES USED**



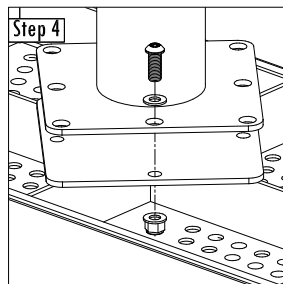
Step 1  
1" Button Cap Torx, Flat Washer (x4)



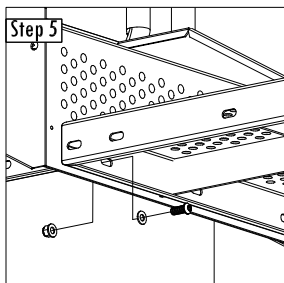
Step 2  
1" Button Cap Torx, Flat Washer (x4)



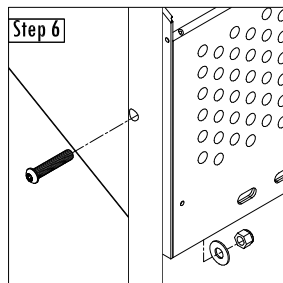
Step 3  
1" Button Cap Torx, Flat Washers, Locking Flange Nut (x2)



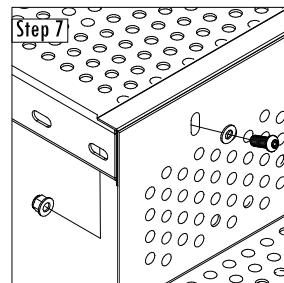
Step 4  
1" Button Cap Torx, Flat Washers, Locking Flange Nut (x8)



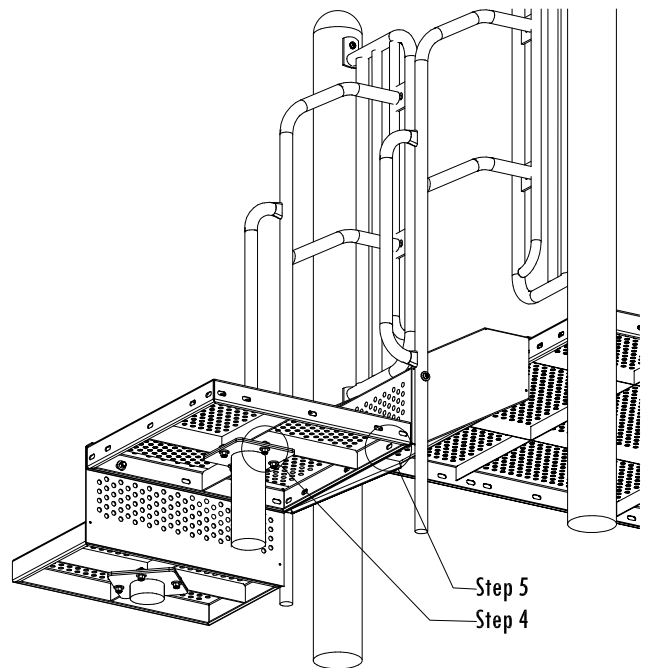
Step 5  
1" Button Cap Torx, Flat Washers, Locking Flange Nut (x2)



Step 6  
2" Button Cap Torx, Flat Washer, Lock Nut (x2)



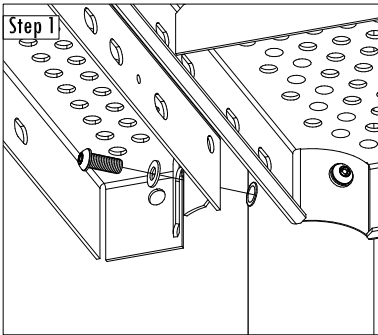
Step 7  
1" Button Cap Torx, Flat Washers, Locking Flange Nut (x2)



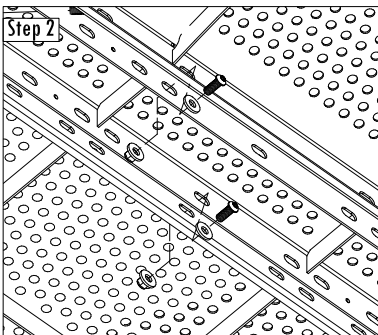
### Parts List

2	1S-B3-DCK04200-00	B3 Tot Bridge Threshold
1	1S-B3-DCK04300-00	B3 Tot Bridge Decking
2	3M-B3-HDR09500-00	B3 Tot Arch Bridge Rail
26	2T-0604	Button Cap Torx w/ Pin 3/8" x 1"
14	4N-0600	Locking Flange Nut 3/8"
26	5F-0500	Flat Washer 5/16" S/S w/ 3/8" Hole

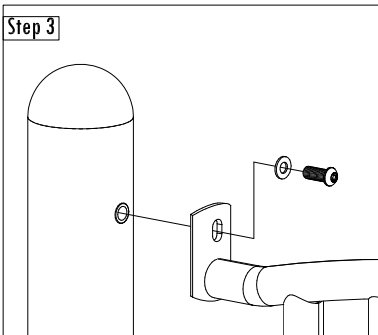
### DECK HOLES USED



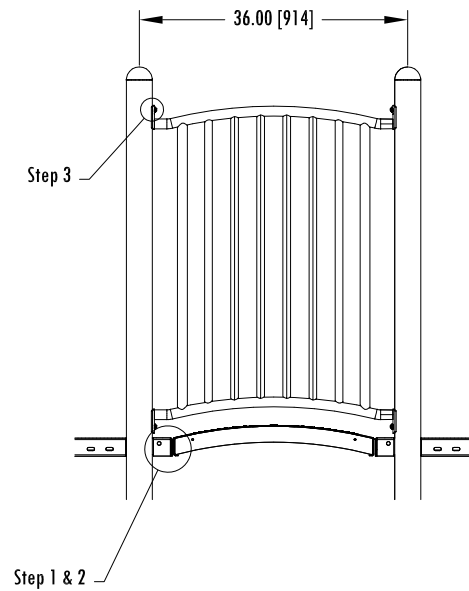
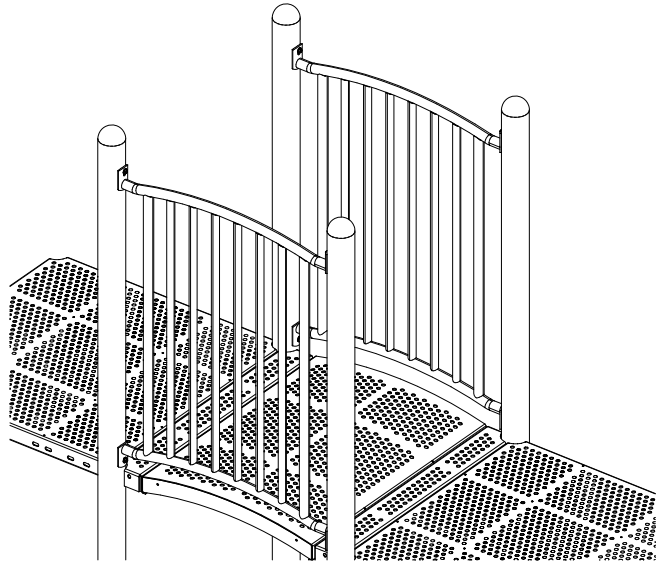
1" Button Cap, Flat Washer (x4)



1" Button Cap, Flat Washers, Locking Flange Nut (x14)



1" Button Cap, Flat Washer (x8)

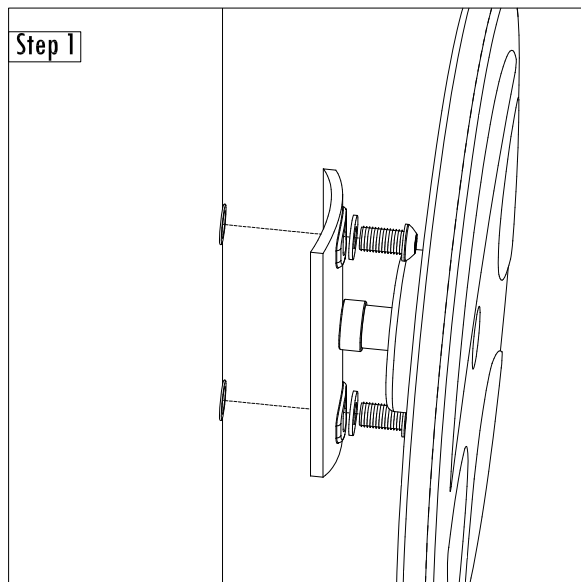
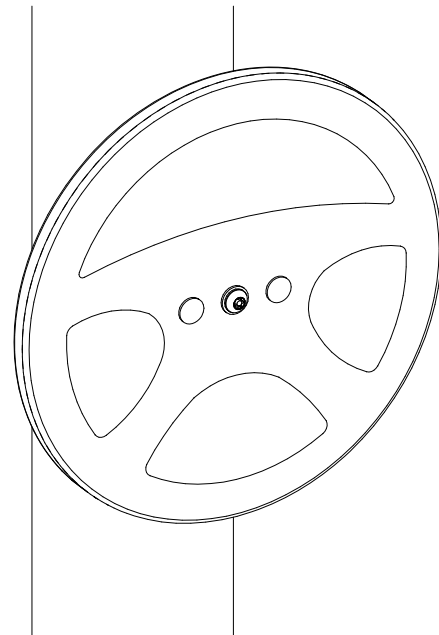


**This Instruction Applies To The Following Modules :**

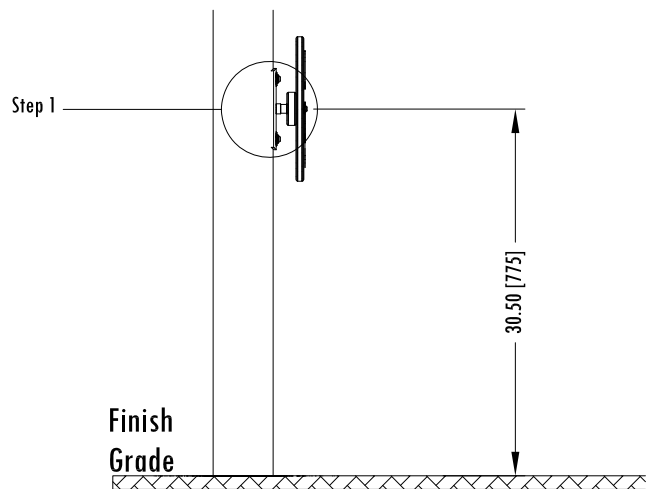
- AP158 - Balance Ball Game
- PT023 - PlayTot Ship Wheel on Post
- SC003 - Steering Wheel on Post
- SC005 - PlayShip Steering Wheel on Post
- SC027 - Maze Wheel

**Parts List**

- 1 Wheel with On Post Mounting Bracket
- 2 2T-0604 Button Cap Torx w/ Pin 3/8" x 1"
- 2 5F-0500 Flat Washer 5/16" with 3/8" Hole



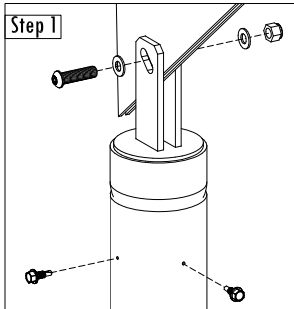
1" Button Cap, Flat Washer (x2)



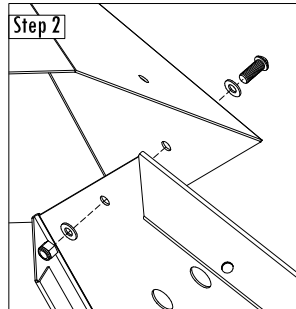
PLAYSTEEL SQ	PLAYSTEEL MAX	PLAYSTEEL FIT	ORBIS	PLAYTOTS	PAGE
	B5-AP158-02	B3-AP158-02		PT-PT023-01	1 OF 1
	B5-SC003-03	B3-SC003-03	N/A		
	B5-SC005-02	B3-SC005-02			
	B5-SC027-03	B3-SC027-04			

### Parts List

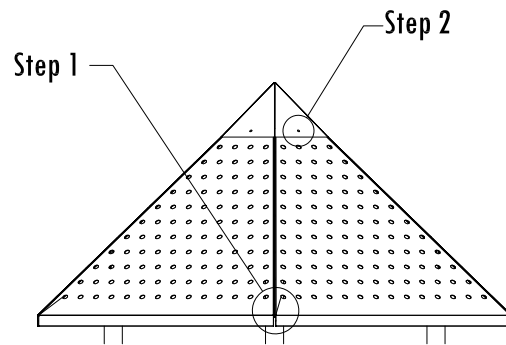
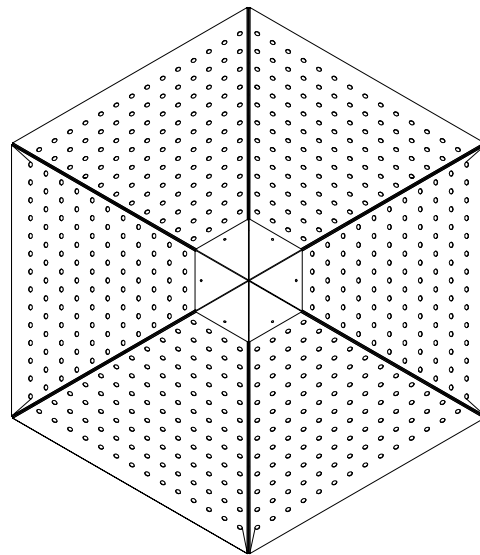
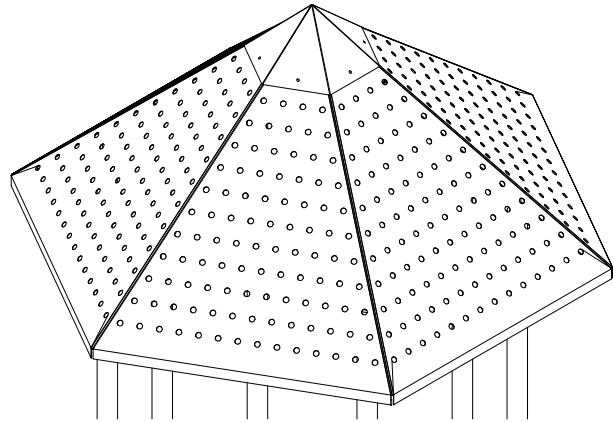
- 6 Post to Roof Tie
- 6 Hex Roof Plate
- 1 Hex Roof Cap
  
- 30 2T-0604 - Button Cap Torx 3/8" x 1"
- 6 2T-0606 - Button Cap Torx 3/8" x 1-1/2"
- 12 3V-0602 - Self Tapping Screw 3/8" x 3/4"
- 36 4L-0600 - Lock Nut w/ Nylon Locking 3/8"
- 72 5F-0500 - Flat Washer 5/16" s/s w/ 3/8" Hole



1" Self Tapping Screw (x12)  
1-1/2" Button Cap Torx, Flat Washers,  
Lock Nut (x6)



1" Button Cap Torx, Flat Washers  
(x30)



**This Instruction Applies To The Following Modules :**

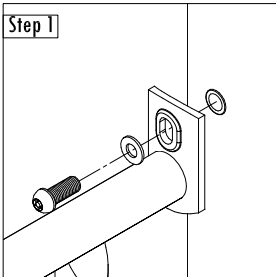
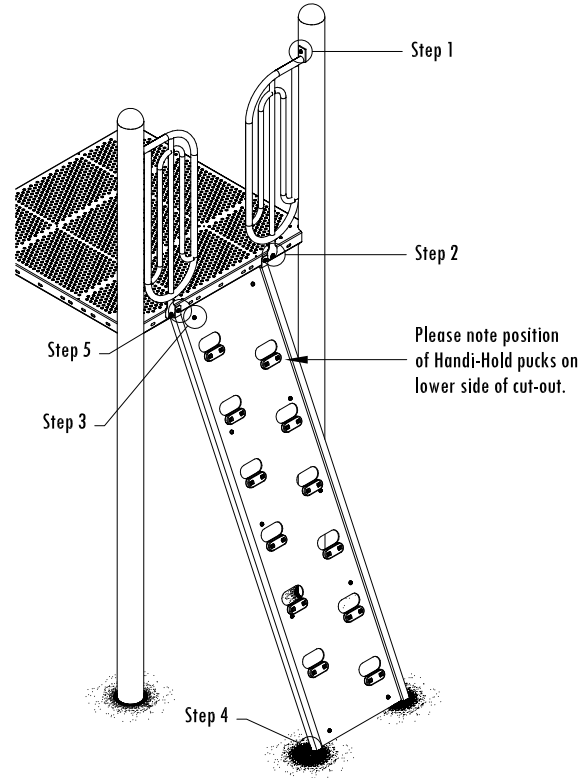
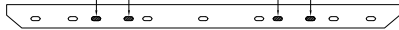
- CB063 Handi-Hold Climber 3'
- CB064 Handi-Hold Climber 4'
- CB065 Handi-Hold Climber 5'
- CB066 Handi-Hold Climber 6'
- CB067 Handi-Hold Climber 7'

**Parts List**

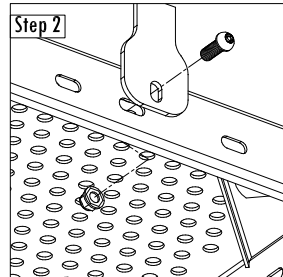
<b>1</b>		Climber Frame
<b>1</b>		Handi-Hold Climber Plastic Sheet
<b>2</b>	BPN00200	Safety Rail
<b>2</b>	GND00200	Universal Ground Leg
<b>20</b>	2T-0604	Button Cap Torx w/ Pin 3/8" x 1"
<b>8</b>	4L-0600	Lock Nut w/ Nylon Locking 3/8"
<b>10</b>	4S-0604	Spenco Nut 3/8" x 1"
<b>28</b>	5F-0500	Flat Washer 5/16"
<b>10</b>	5F-0800	Flat Washer 1/2"

\* Quantities are shown for a 7' climber.

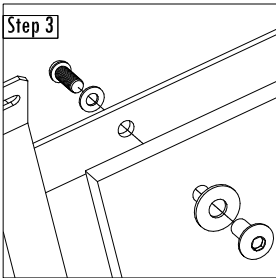
**DECK HOLES USED**



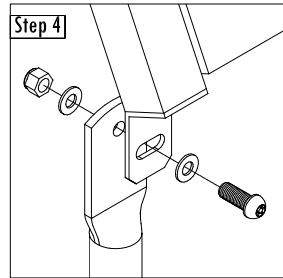
1" Button Cap Torx, Flat Washer (x2)



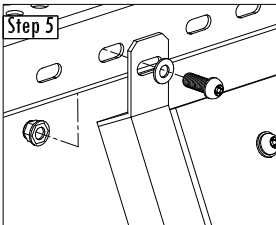
1" Button Cap Torx, Flat Washer, Locking Flange Nut (x2)



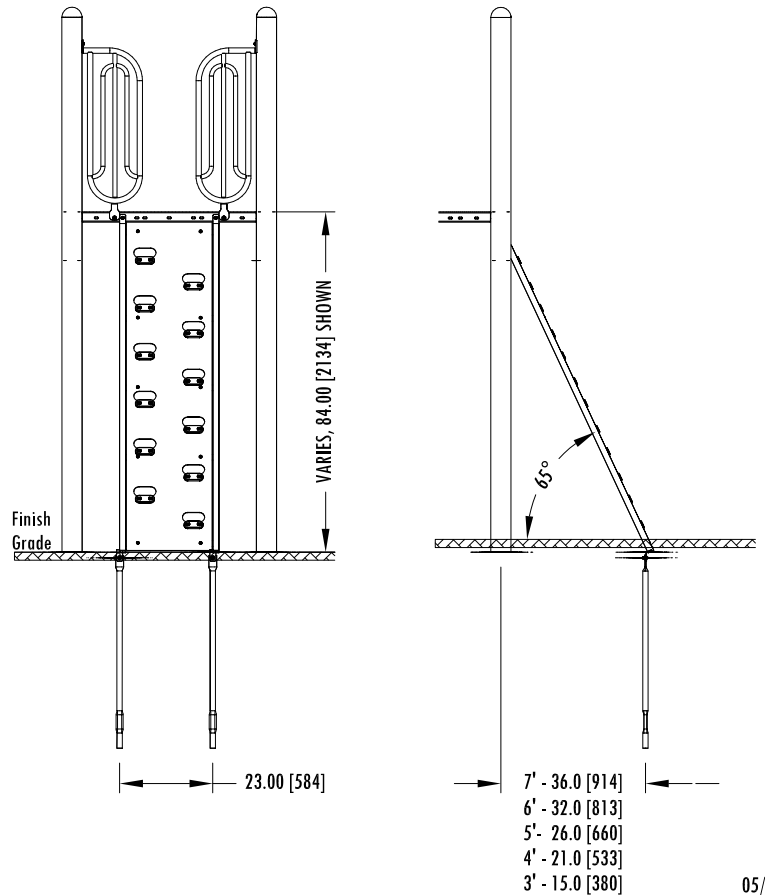
1" Torx, 5/16" Flat Washer, 1/2" Flat Washer, Spenco Nut (x10)



1" Button Cap Torx, Flat Washer, Lock Nut (x2)



1" Button Cap Torx, Flat Washer, Locking Flange Nut (x2)  
Mounted to outside face only.



**OFFICE USE ONLY**

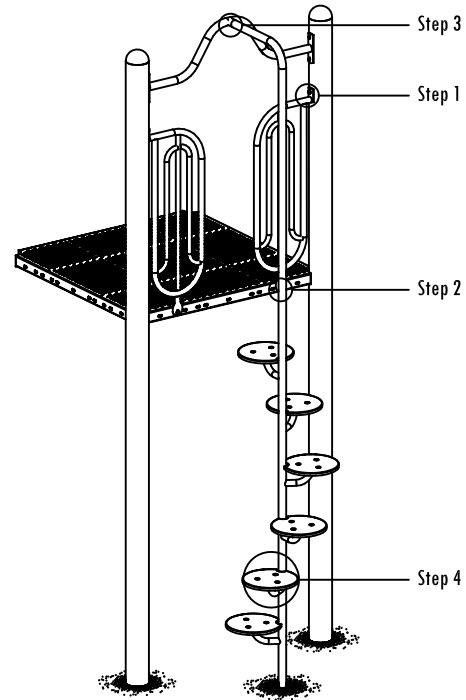
PLAYSTEEL SQ N/A	PLAYSTEEL MAX B5-CB063-02 B5-CB064-02 B5-CB065-02 B5-CB066-02 B5-CB067-01	PLAYSTEEL FIT B3-CB063-02 B3-CB064-02 B3-CB065-02 B3-CB066-02 B3-CB067-01	B4-CB063-02 B4-CB064-02 B4-CB065-02 B4-CB066-02 B4-CB067-01	ORBIS N/A	PLAYTOTS N/A	PAGE 1 OF 1
---------------------	--	--	---	--------------	-----------------	-------------

**This Instruction Applies To The Following Modules :**

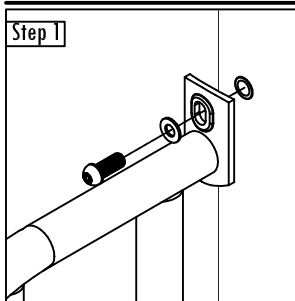
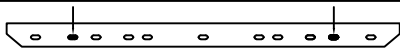
- CB313 Space Walk 3'
- CB314 Space Walk 4'
- CB315 Space Walk 5'
- CB316 Space Walk 6'
- CB317 Space Walk 7'

**Parts List**

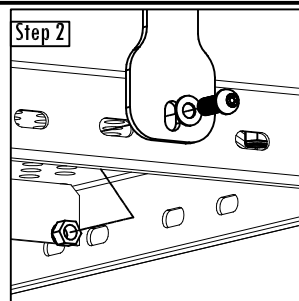
- 1 Space Walk
- 2-6 Space Walk Step
- 1 Pole Connector
- 2 Safety Railing
  
- 8 2T-0604 - Button Cap Torx w/ Pin 3/8" x 1"
- 6-18 2T-0604 - Button Cap Torx w/ Pin 3/8" x 1-1/2"
- 1 2T-0610 - Button Cap Torx w/ Pin 3/8" x 2-1/2"
- 8-20 4L-0600 - Lock Nut w/ Nylon Locking 3/8"
- 23-47 5F-0500 - Flat Washer 5/16" S/S w/ 3/8" Hole



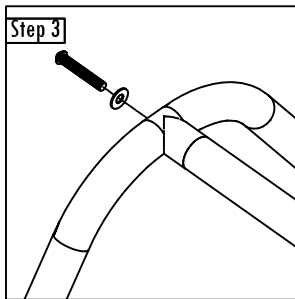
DECK HOLES USED



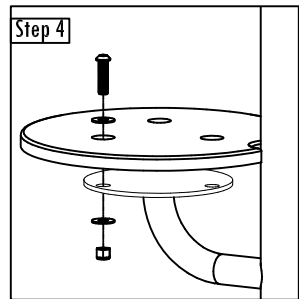
1" Button Cap Torx, Flat Washer (x6)



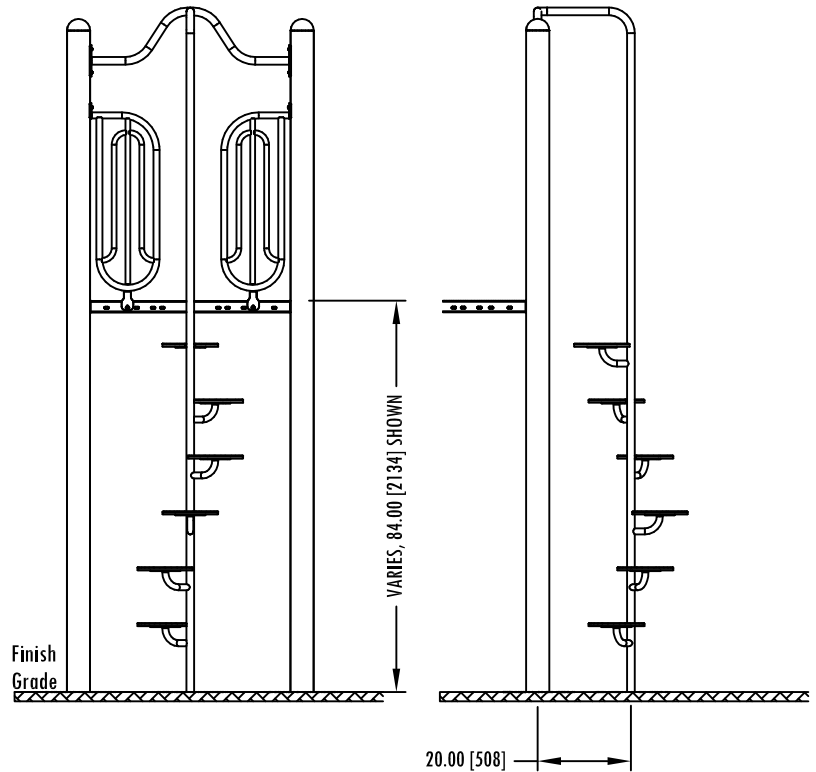
1" Button Cap Torx, Flat Washer, Lock Nut (x2)



2-1/2" Button Cap Torx, Flat Washer (x1)



1-1/2" Button Cap Torx, Flat Washer, Lock Nut (x2)



OFFICE USE ONLY

11/12/2018

PLAYSTEEL SQ N/A	PLAYSTEEL MAX B5-CB313-01 B5-CB314-01 B5-CB315-01 B5-CB316-01 B5-CB317-01	PLAYSTEEL FIT B3-CB313-01 B3-CB314-01 B3-CB315-01 B3-CB316-01 B3-CB317-01	B4-CB313-01 B4-CB314-01 B4-CB315-01 B4-CB316-01 B4-CB317-01	ORBIS N/A	PLAYTOTS N/A	PAGE 1 OF 1
---------------------	--	--	---	--------------	-----------------	-------------



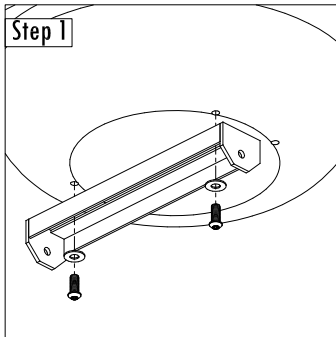
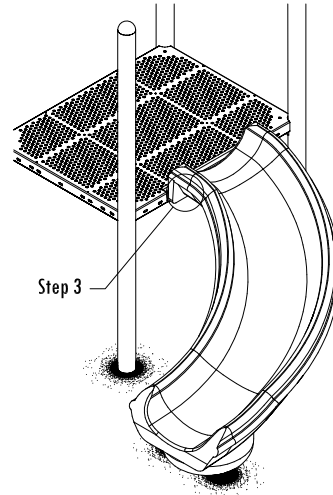
**This Instruction Applies To The Following Modules :**

- SL173 Poly Twister Slide 3'
- SL174 Poly Twister Slide 4'

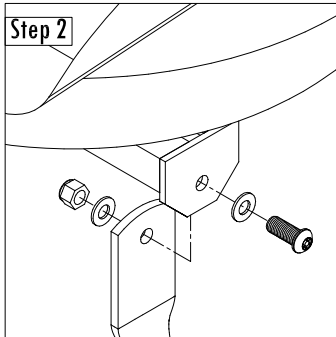
**Parts List**

- 1 Twister Poly Slide
- 1 GND00100 Universal Ground Leg Mount
- 2 GND00200 Universal Ground Leg
- 4 2T-0604 - Button Cap Torx w/ Pin 3/8" x 1"
- 2 2T-0608 - Button Cap Torx w/ Pin 3/8" x 2"
- 2 4L-0600 - Lock Nut w/ Nylon Locking 3/8"
- 8 5F-0500 - Flat Washer 5/16" S/S w/ 3/8" Hole

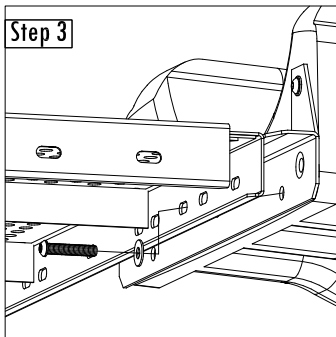
**DECK HOLES USED**



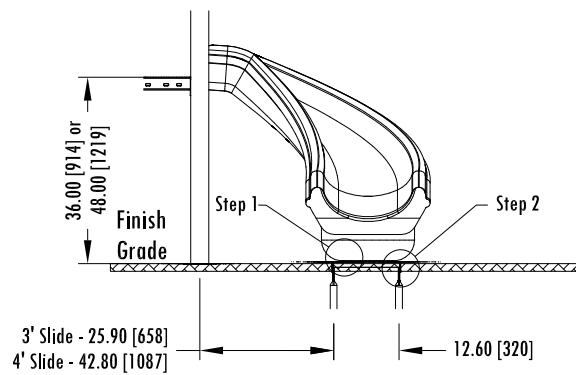
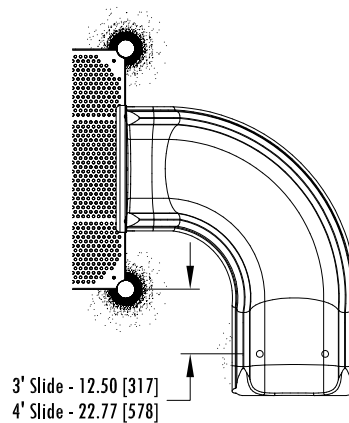
1" Button Cap Torx, Flat Washer (x2)



1" Button Cap Torx, Flat Washers, Lock Nut (x2)

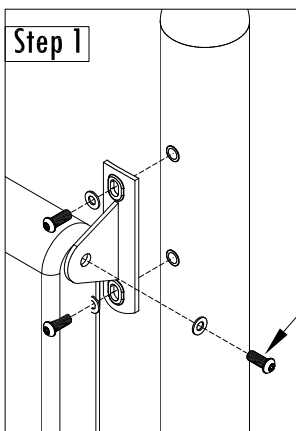


2" Button Cap Torx, Flat Washer (x2)

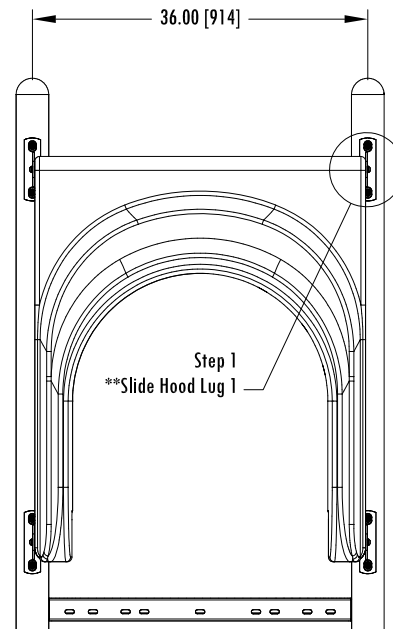
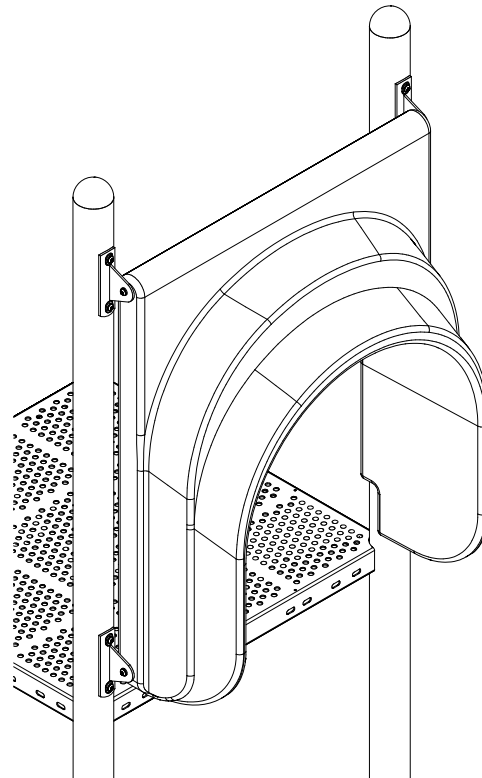


### Parts List

- 4 BRK12800 Slide Hood Lug 1
- 1 PPN00701 B3 Single Slide Hood
  
- 8 2T-0604 - Button Cap Torx w/ Pin 3/8" x 1"
- 4 2T-0606z - Button Cap Torx w/ Pin 3/8" x 1-1/2" (no locktite)
- 12 5F-0500 - Flat Washer 5/16" S/S w/ 3/8" Hole



1" Button Cap, Flat Washer (x8)  
 1-1/2" Button Cap, Flat Washer (x4)

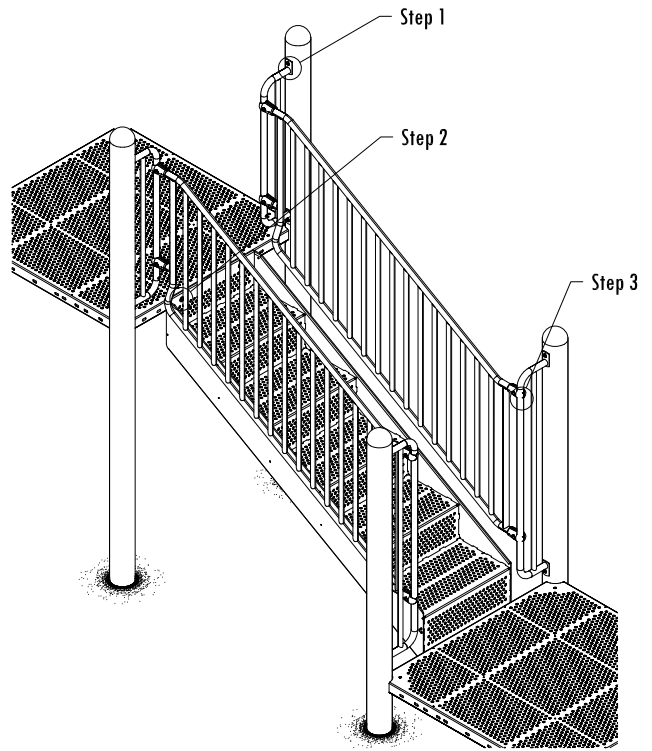


**This Instruction Applies To The Following Modules :**

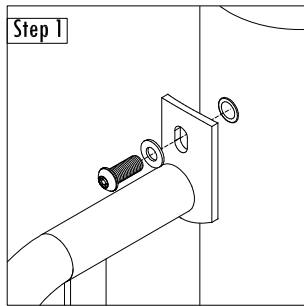
ST061	Accessible Step Deck 12"	(1 Steps)
ST063	Accessible Step Deck 24"	(2 Steps)
ST067	Accessible Step Deck 48"	(5 Steps)
ST068	Accessible Step Deck 48"	(5 Steps)

**Parts List**

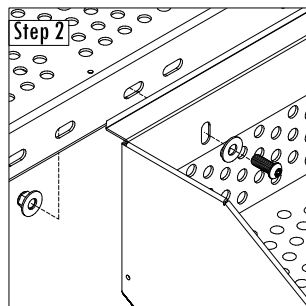
2	BPN056	Accessible Step Deck Upper (37")
2	BPN057	Accessible Step Deck Lower (51")
8	CLP001	1.315" Tubing Clamp
2	HDR086	Accessible Step Deck Handrail
1		Accessible Stair
12	2T-0604	- Button Cap Torx w/ Pin 3/8" x 1"
8	2T-0610	- Button Cap Torx w/ Pin 3/8" x 1-1/2"
8	4L-0601	- SS Lock Nut 3/8"-16 UNC .41h-11/16W
4	4N-0600	- Locking Flange Nut 3/8"
12	5F-0500	- Flat Washer 5/16" S/S w/ 3/8" Hole



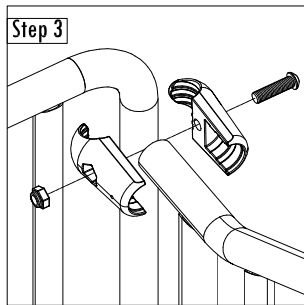
**DECK HOLES USED**



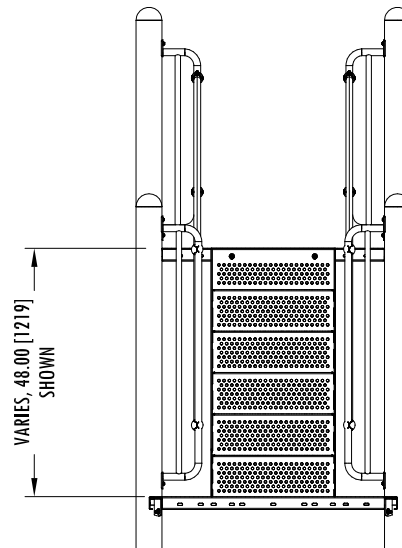
1" Button Cap, Flat Washer (x8)



1" Button Cap, Flat Washer, Locking Flange Nut (x4)



1-1/2" Button Cap Torx, Locknut (x8)

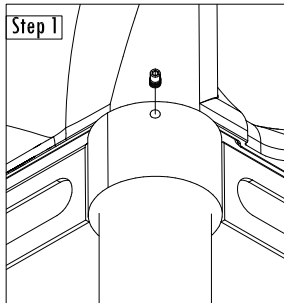
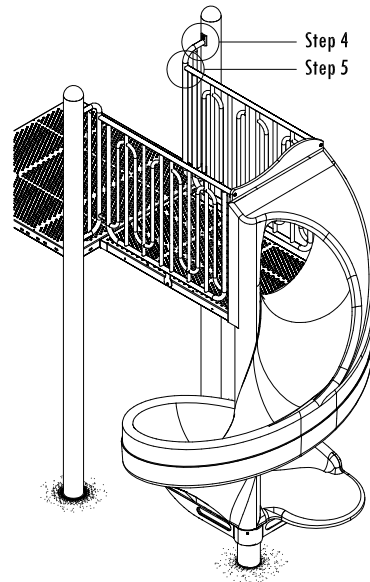


PLAYSTEEL SQ N/A	PLAYSTEEL MAX B5-ST061-03 B5-ST063-04 B5-ST067-00 B5-ST068-04	PLAYSTEEL FIT B3-ST061-05 B3-ST063-05 B3-ST067-00 B3-ST068-05	B4-ST061-05 B4-ST063-04 B4-ST067-00 B4-ST068-05	ORBIS N/A	PLAYTOTS N/A	PAGE 1 OF 1
---------------------	---	---	--	--------------	-----------------	-------------

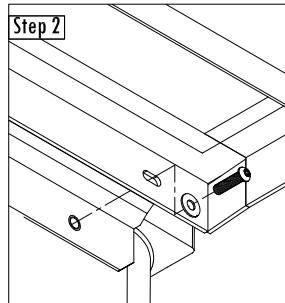
### Parts List

- 1 PSL00800 6' Poly Spiral Slide Assembly
- 2 BPN05300 Universal Spiral Slide Rail
- 2 BPN05400 Spiral Slide End Rail
- 1 DCK01000 Spiral Slide Deck -Punched
- 1 SHP16900 Poly Spiral Slide Plastic Rail
  
- 9 2T-0604 - Button Cap Torx w/ Pin 3/8" x 1"
- 7 2T-0606 - Button Cap Torx w/ Pin 3/8" x 1-1/2"
- 4 2T-0610 - Button Cap Torx w/ Pin 3/8" x 2-1/2"
- 4 3S-0804 - Set Screw 1/2" x 1/2"
- 5 4L-0600 - Lock Nut w/ Nylon Locking 3/8"
- 21 5F-0500 - Flat Washer 5/16" S/S w/ 3/8" Hole
- 4 5D-0600 - Plastic Saddle Washer 3/8"

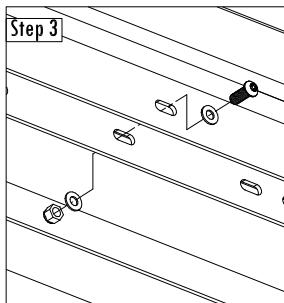
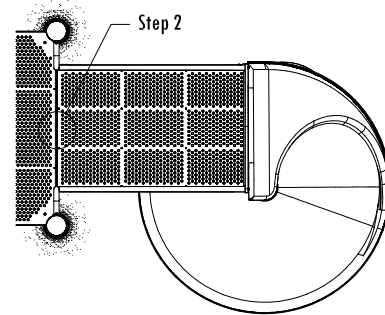
### DECK HOLES USED



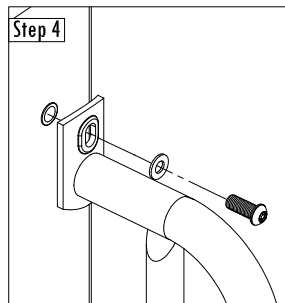
Step 1  
Pull column out of slide to 55",  
secure with 1/2" set screw (x4)



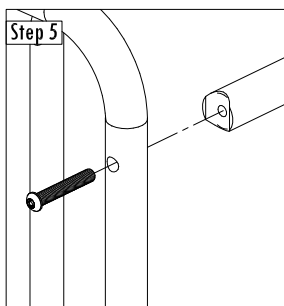
Step 2  
1-1/2" Button Cap Torx,  
Flat Washer (x3)



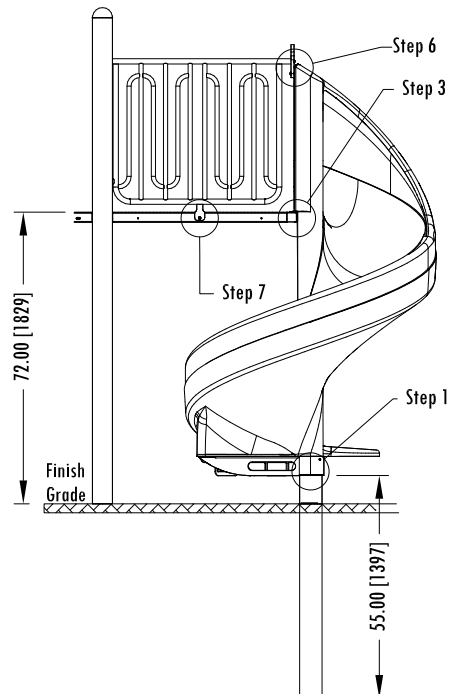
Step 3  
1" Button Cap Torx, Flat Washers,  
Lock Nut (x3)

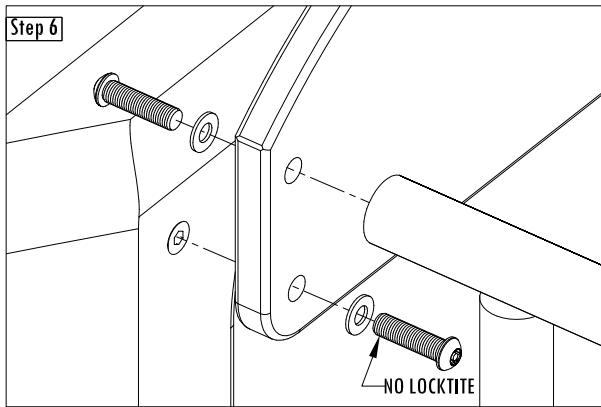


Step 4  
1" Button Cap Torx, Flat Washer  
(x4)

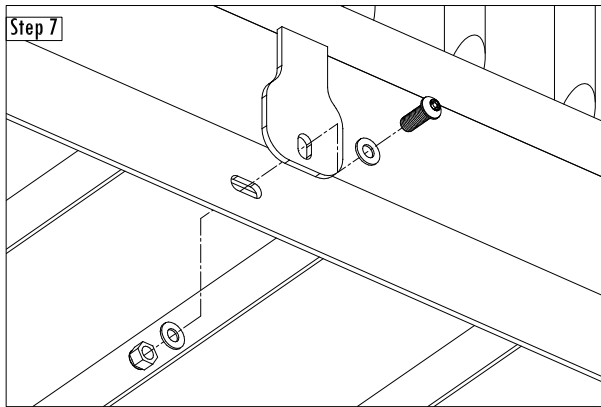
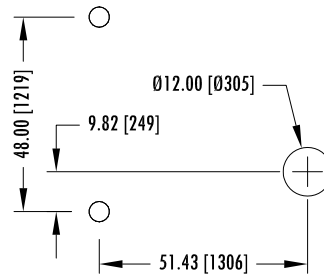


Step 5  
2-1/2" Button Cap Torx (x4)

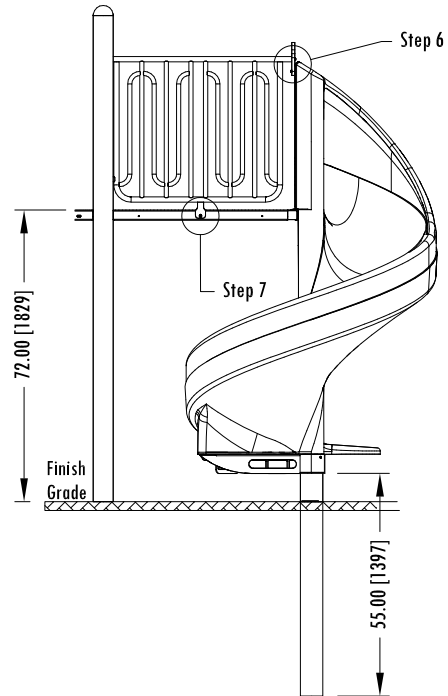




1-1/2" Button Cap Torx, Flat Washer (x4)



1" Button Cap Torx, Flat Washers, Lock Nut (x2)

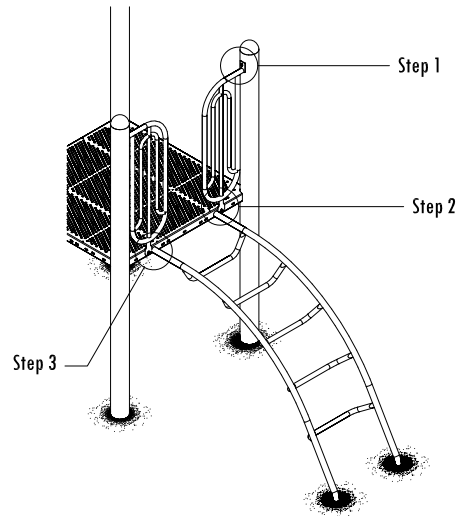


**This Instruction Applies To The Following Modules :**

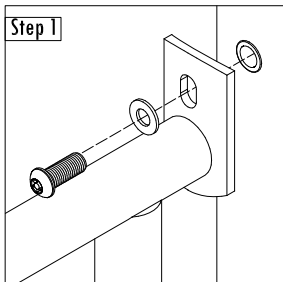
- CB132 Hilltop Climber 2'
- CB133 Hilltop Climber 3'
- CB134 Hilltop Climber 4'

**Parts List**

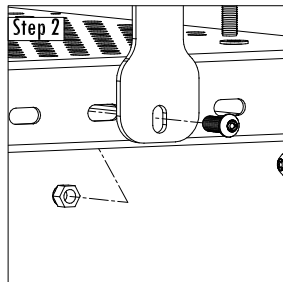
- 1 Hilltop Climber
- 2 BPN00200 Safety Rail
- 4 2T-0604 Button Cap Torx w/ Pin 3/8" x 1"
- 4 5F-0500 Flat Washer 5/16" S/S w/ 3/8" Hole



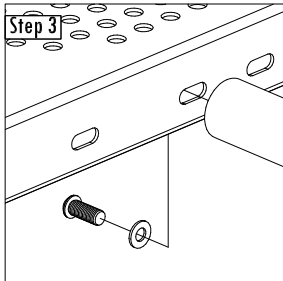
**DECK HOLES USED**



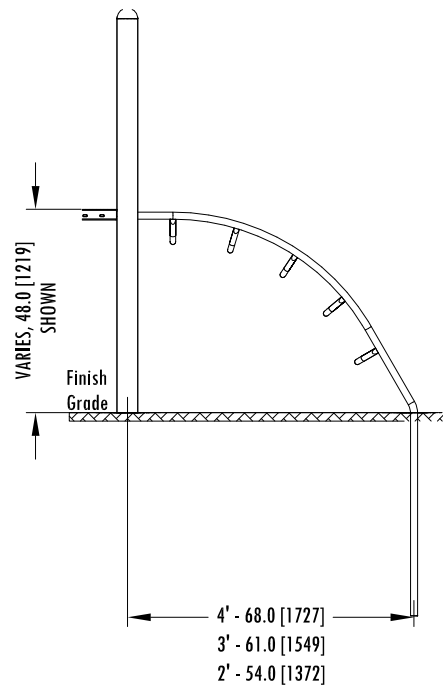
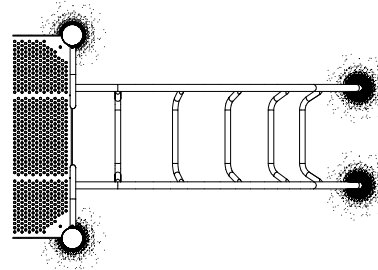
1" Button Cap Torx, Flat Washer (x2)



1" Button Cap Torx, Flat Washer, Lock Nut (x2)



1" Button Cap Torx, Flat Washer (x2)

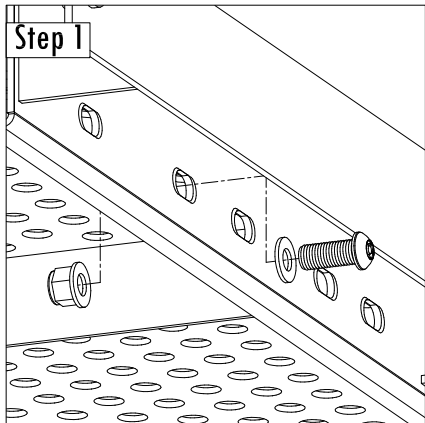
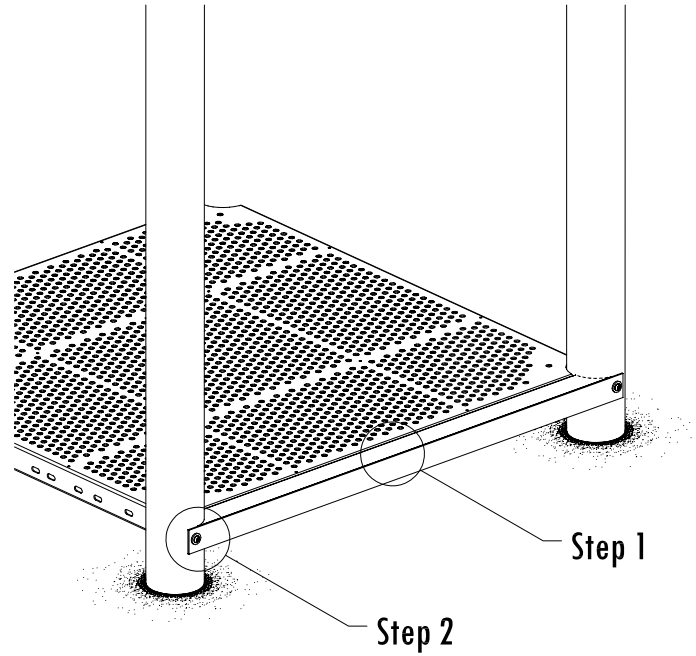
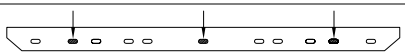


PLAYSTEEL SQ N/A	PLAYSTEEL MAX B5-CB132-02 B5-CB133-02 B5-CB134-02	PLAYSTEEL FIT B3-CB132-02 B4-CB132-02 B3-CB133-02 B4-CB133-02 B3-CB134-02 B4-CB134-02	ORBIS N/A	PLAYTOTS N/A	PAGE 1 OF 1
---------------------	--	--	--------------	-----------------	-------------

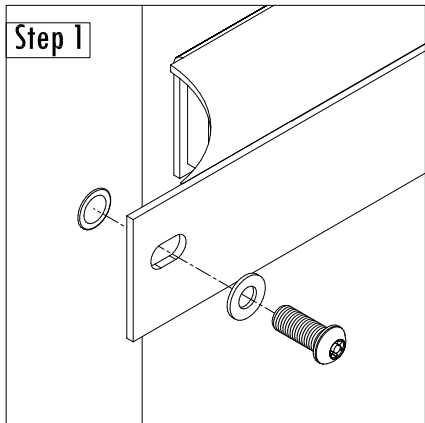
### Parts List

- 1 DCK01200 Threshold
- 5 2T-0604 - Button Cap Torx w/ Pin 3/8" x 1"
- 3 4N-0600 - Locking Flange Nut 3/8"
- 5 5F-0500 - Flat Washer 5/16" S/S w/ 3/8" Hole

DECK HOLES USED



1" Button Cap, Flat Washer, Locking Flange Nut (x3)



1" Button Cap, Flat Washer (x2)

### This Instruction Applies To The Following Modules :

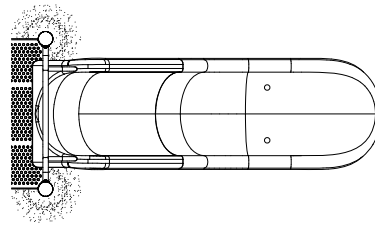
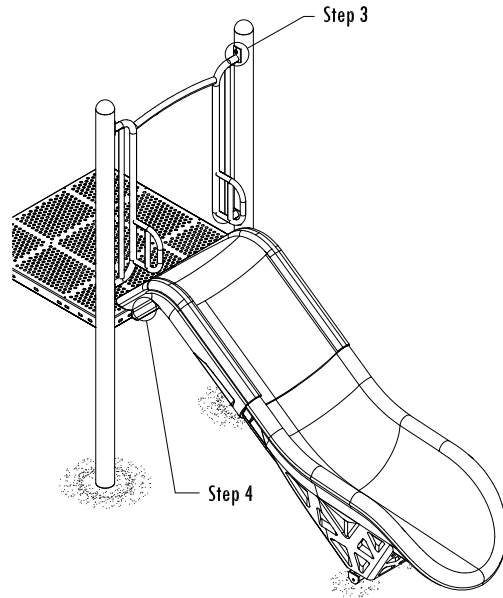
- |  |   |
|--|---|
| SL263 Open Starglide Slide Straight 3'   | SL286 Open Starglide Slide Veer Left 6'   |
| SL264 Open Starglide Slide Straight 4'   | SL287 Open Starglide Slide Veer Left 7'   |
| SL265 Open Starglide Slide Straight 5'   | SL288 Open Starglide Slide Veer Left 8'   |
| SL266 Open Starglide Slide Straight 6'   | SL297 Open Starglide Slide Turn Right 7'  |
| SL267 Open Starglide Slide Straight 7'   | SL298 Open Starglide Slide Turn Right 8'  |
| SL268 Open Starglide Slide Straight 8'   | SL307 Open Starglide Slide Turn Left 7'   |
| SL275 Open Starglide Slide Veer Right 5' | SL308 Open Starglide Slide Turn Left 8'   |
| SL276 Open Starglide Slide Veer Right 6' | SL317 Open Starglide Slide Snake Right 7' |
| SL277 Open Starglide Slide Veer Right 7' | SL318 Open Starglide Slide Snake Right 8' |
| SL278 Open Starglide Slide Veer Right 8' | SL327 Open Starglide Slide Snake Left 7'  |
| SL285 Open Starglide Slide Veer Left 5'  | SL328 Open Starglide Slide Snake Left 8'  |

### Parts List

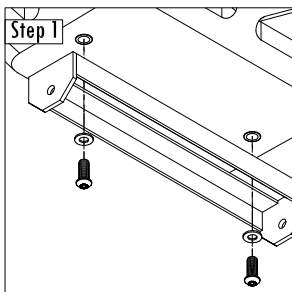
- 1 Open Stargate Slide Assembly
  - 1 1M-P1-GND00100-00 Universal Ground Leg Mount
  - 2 1M-P1-GND00200-00 Universal Ground Leg
  - 1 1M-B3-BPN06000-00 Open Starglide Entry Rail
  - 1\* 1S-P1-GND02500-00 Starglide Support Leg (6' or higher slides)
- \*Quantity specified on Starglide Sectional Slide configuration diagram.

- 6 2T-0604 - Button Cap Torx w/ Pin 3/8" x 1"
- 3 2T-0606 - Button Cap Torx w/ Pin 3/8" x 1-1/2"
- 2 4L-0600 - Lock Nut w/ Nylon Locking 3/8"
- 14 5F-0500 - Flat Washer 5/16" S/S w/ 3/8" Hole

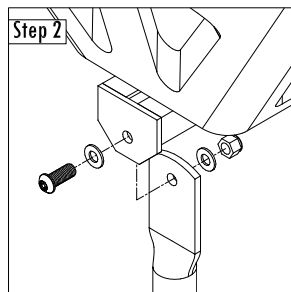
For slides shipped in sections, assemble with (5) 3/8" x 3-1/2" Torx, flatwashers, 1/2" flatwasher and spenco nuts.



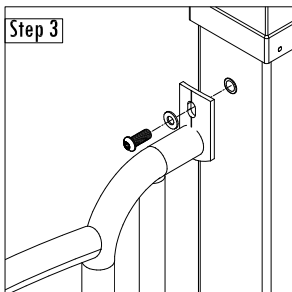
### DECK HOLES USED



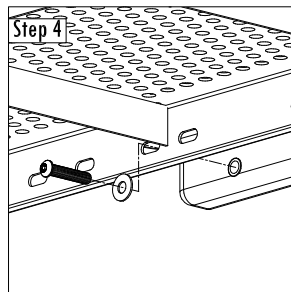
1" Button Cap Torx, Flat Washer (x2)



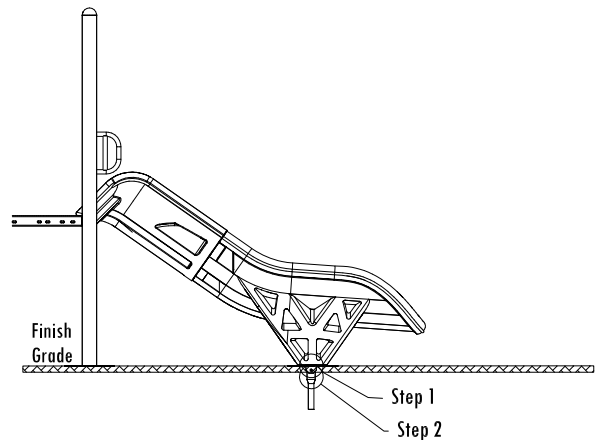
1" Button Cap Torx, Flat Washer, Lock Nut (x2)



1" Button Cap Torx, Flat Washer (x4)



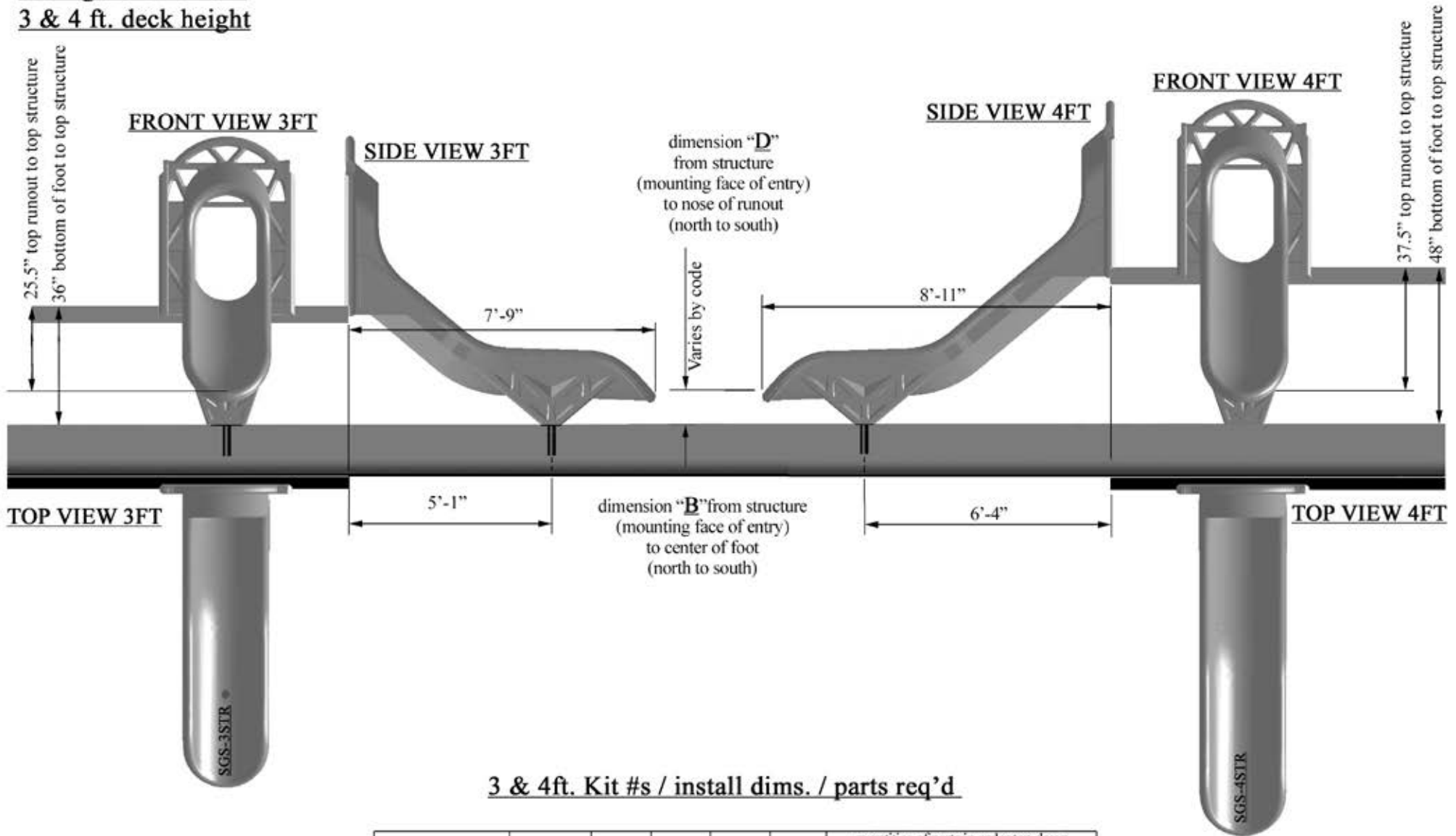
1 1/2" Button Cap Torx, Flat Washer (x3)





**Star Gate Sectional Slide  
Configurations from  
3 & 4 ft. deck height**

# 3 & 4 ft Slides



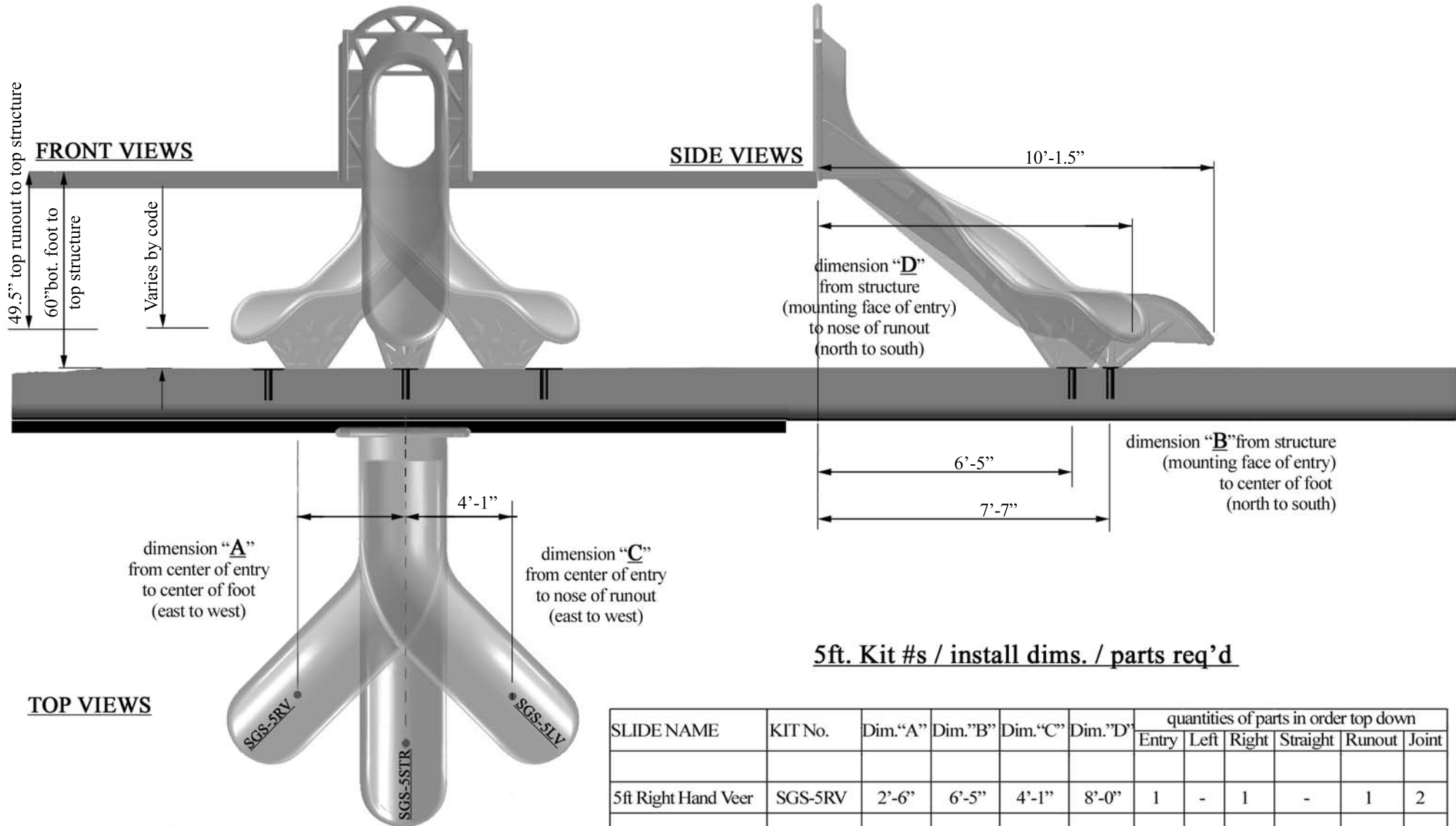
**3 & 4ft. Kit #s / install dims. / parts req'd**

SLIDE NAME	KIT No.	Dim."A"	Dim."B"	Dim."C"	Dim."D"	quantities of parts in order top down					
						Entry	Left	Right	Straight	Runout	Joint
3ft Straight	SGS-3STR	0"	5'-1"	0"	7'-9"	1	-	-	-	1	1
4ft Straight	SGS-4STR	0"	6'-4"	0"	8'-11"	1	-	-	1	1	2



**Star Gate Sectional Slide  
Configurations from  
5 ft. deck height**

# 5ft Slides



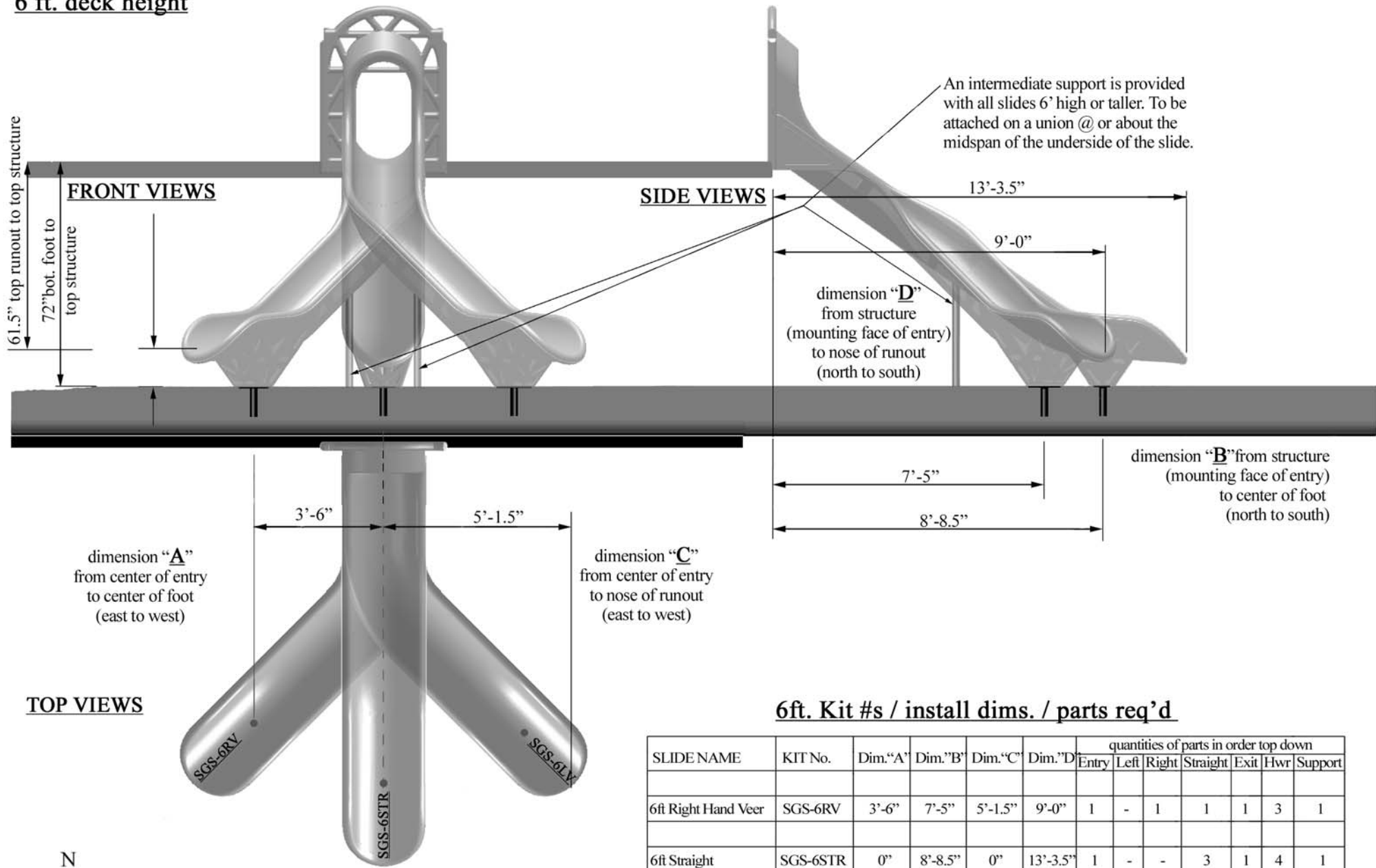
**5ft. Kit #s / install dims. / parts req'd**

SLIDE NAME	KIT No.	Dim."A"	Dim."B"	Dim."C"	Dim."D"	quantities of parts in order top down					
						Entry	Left	Right	Straight	Runout	Joint
5ft Right Hand Veer	SGS-5RV	2'-6"	6'-5"	4'-1"	8'-0"	1	-	1	-	1	2
5ft Straight	SGS-5STR	0"	7'-7"	0"	10'-1.5"	1	-	-	2	1	3
5ft Left Hand Veer	SGS-5LV	2'-6"	6'-5"	4'-1"	8'-0"	1	1	-	-	1	2



**Star Gate Sectional Slide  
Configurations from  
6 ft. deck height**

# 6ft Slides



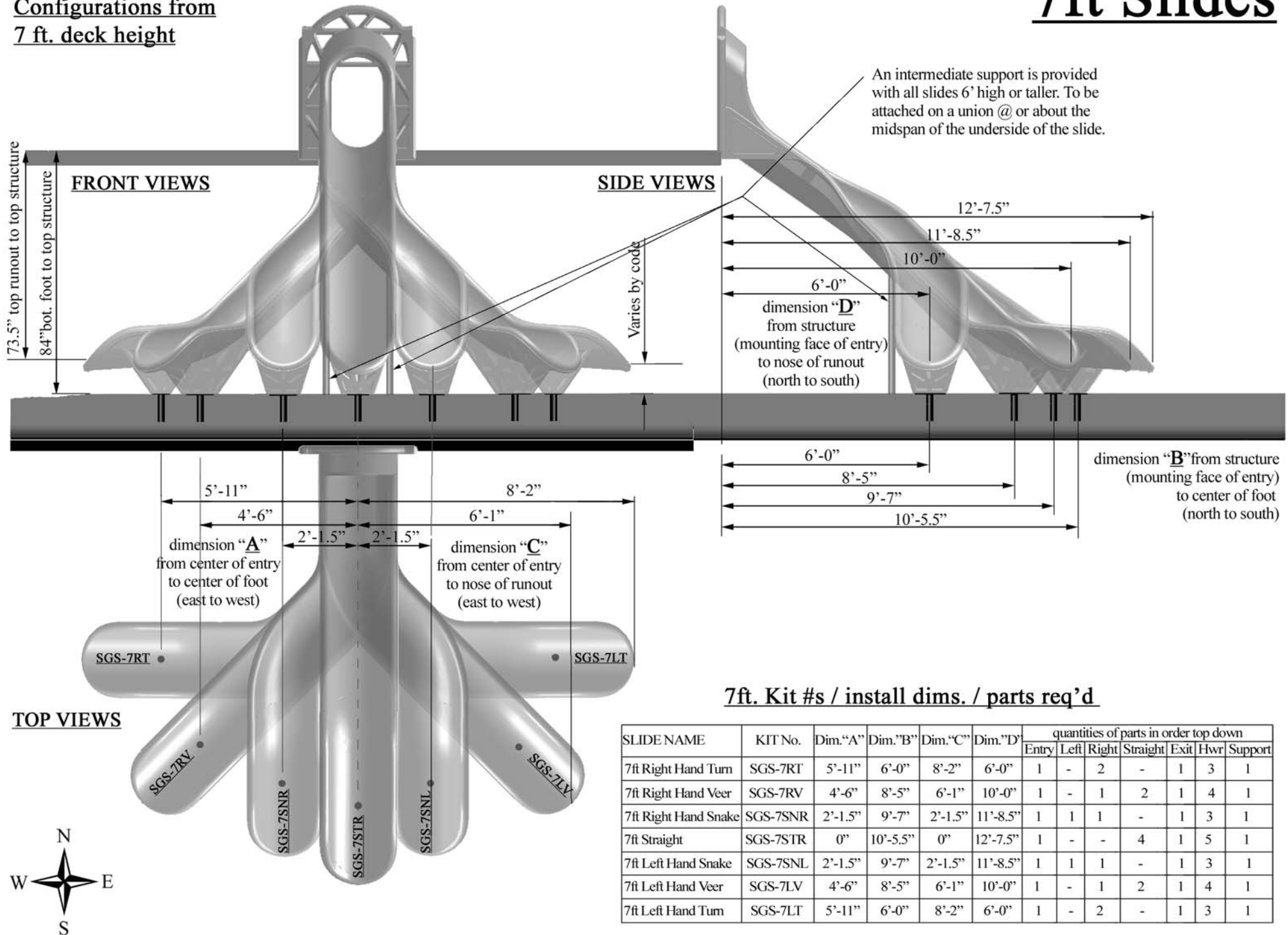
**6ft. Kit #s / install dims. / parts req'd**

SLIDE NAME	KIT No.	Dim."A"	Dim."B"	Dim."C"	Dim."D"	quantities of parts in order top down						
						Entry	Left	Right	Straight	Exit	Hwr	Support
6ft Right Hand Veer	SGS-6RV	3'-6"	7'-5"	5'-1.5"	9'-0"	1	-	1	1	1	3	1
6ft Straight	SGS-6STR	0"	8'-8.5"	0"	13'-3.5"	1	-	-	3	1	4	1
6ft Left Hand Veer	SGS-6LV	3'-6"	7'-5"	5'-1.5"	9'-0"	1	1	-	1	1	3	1



**Star Gate Sectional Slide  
Configurations from  
7 ft. deck height**

# 7ft Slides



**Star Gate Sectional Slide Configurations from 8 ft. deck height**

# 8ft Slides

