

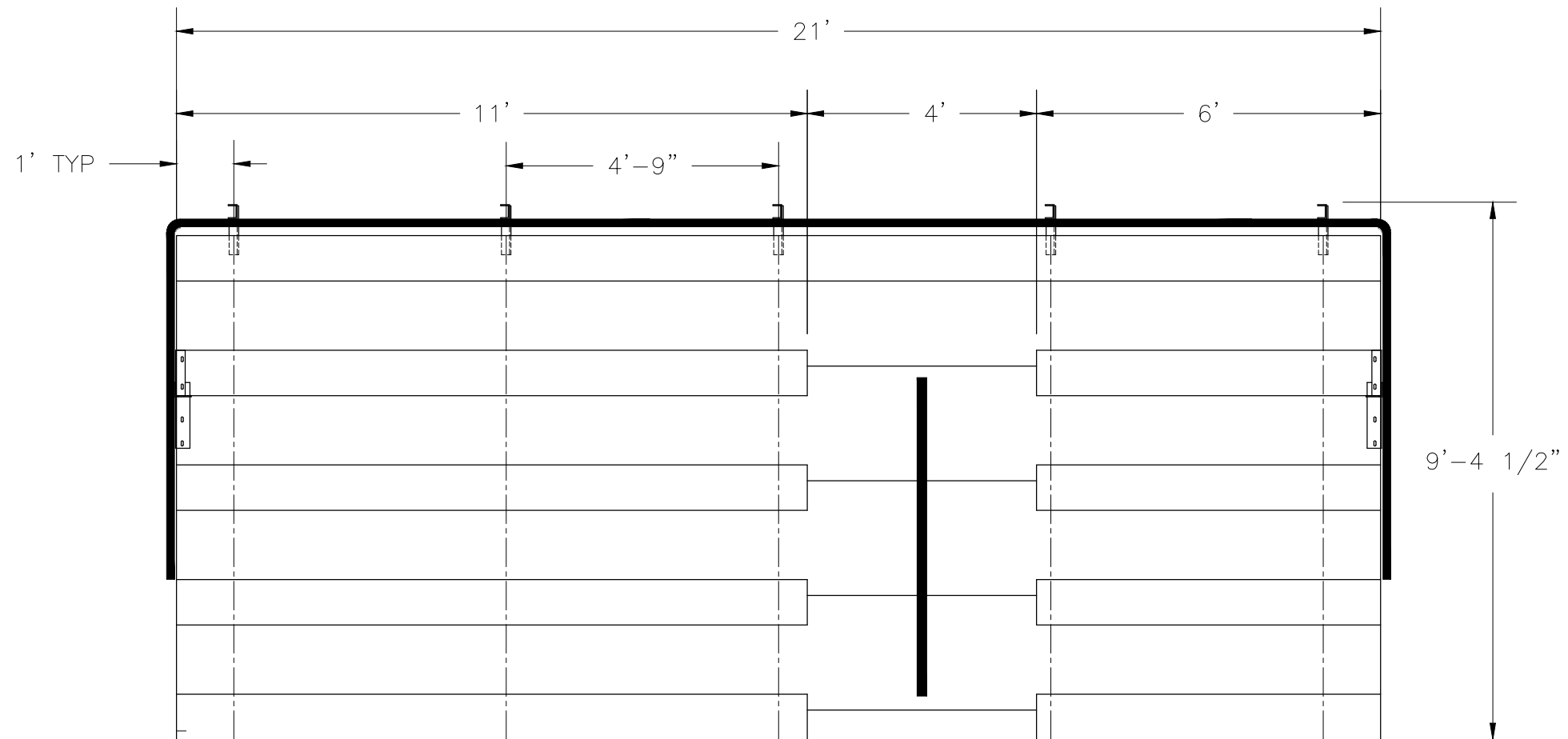
NA-0521TPDLX_CL

NON ELEVATED 5 ROW X 21'-0" TRANSPORTABLE BLEACHER

National Recreation Systems, Inc.

5120 INVESTMENT DRIVE - FORT WAYNE, IN 46808

| | |
|------|---------------------------|
| CS.1 | - COVER SHEET |
| TD.1 | - BLEACHER SEATING PLAN |
| BA.1 | - BLEACHER ASSEMBLY |
| GS.1 | - GROUND SILL ASSEMBLY |
| PF.1 | - PLANK & FRAMING PLAN |
| VA.1 | - VERTICAL AISLE ASSEMBLY |
| TK.1 | - TRANSPORT KIT ASSEMBLY |
| TK.2 | - TRANSPORT KIT ASSEMBLY |
| GR.1 | - GUARDRAIL ASSEMBLY |
| DS.1 | - DETAIL SHEET |

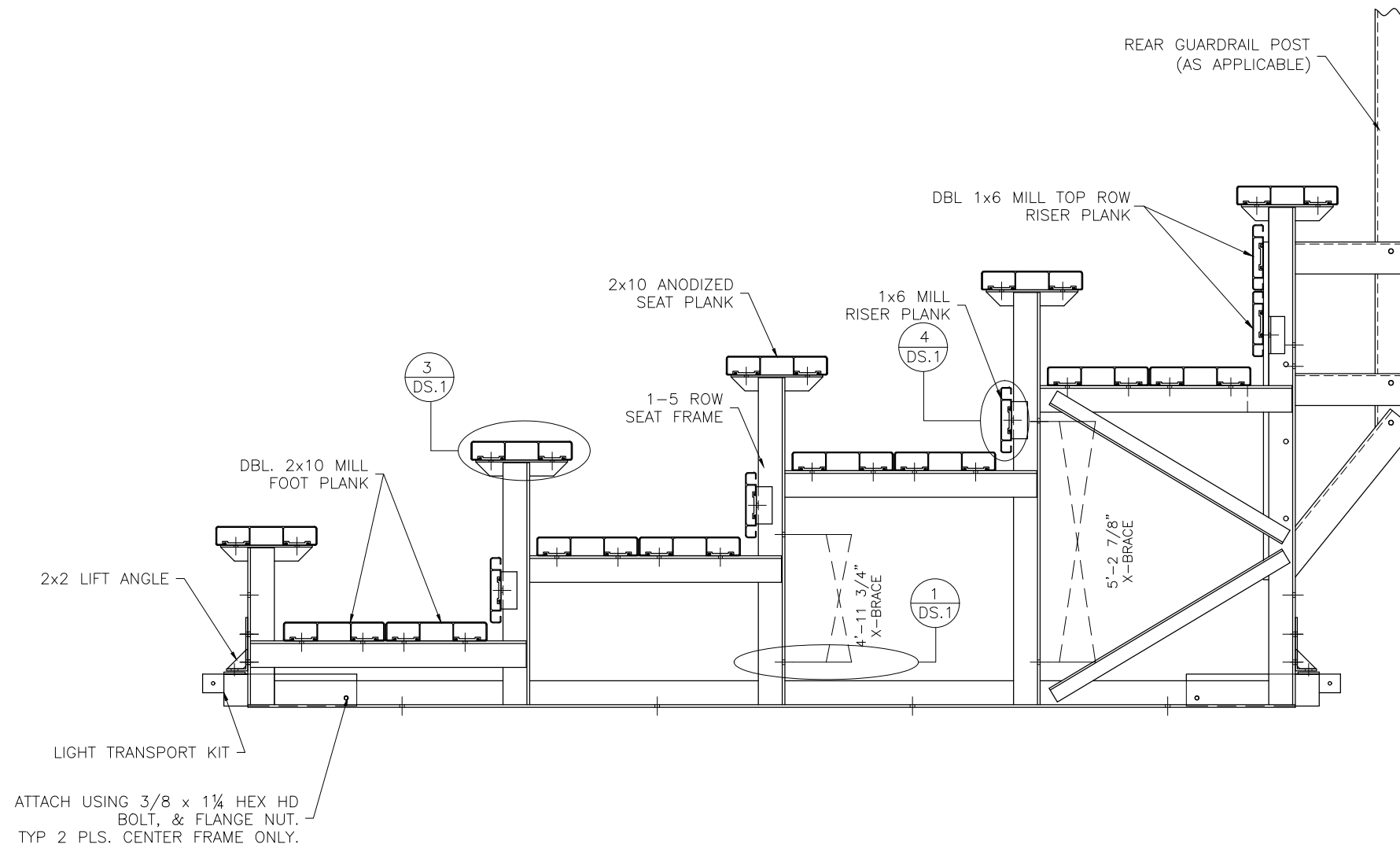


| SECTION LENGTH | GROSS SEATS | ACTUAL SEATS | NO. OF ROWS | NET SEATS |
|-----------------------------------|-------------|--------------|-------------|-----------|
| 21 | 14.00 | 14.00 | 1 | 14 |
| 11 | 7.33 | 7.00 | 4 | 28 |
| 6 | 4.00 | 4.00 | 4 | 16 |
| NET SEATS | | | | 58 |
| WHEELCHAIR SPACES | | | | 0 |
| TOTAL NET SEATING CAPACITY | | | | 58 |
| (BASED ON 18" PER SEAT) | | | | |

This drawing and all information contained herein is the property of NATIONAL RECREATION SYSTEMS, INC. and is not to be reproduced without express written permission of this manufacturer. We assume no responsibility for unauthorized use of this drawing. National Recreation Systems, Inc. is not responsible for local permits and occupancy requirements.

National Recreation Systems, Inc.
5120 INVESTMENT DRIVE - FORT WAYNE, IN 46808

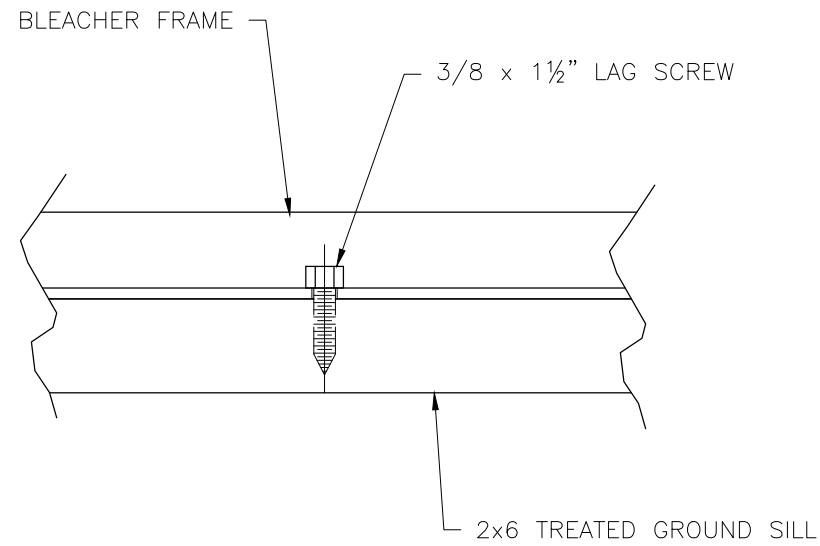
| | | |
|--|----------------------|---------------|
| SCALE: N.T.S. | APPROVED BY: | DRAWN BY: JML |
| DATE: 6/9/16 | | |
| TITLE: NON ELEV. 5 ROW X 21' TRANSP. BLEACHER SEATING PLAN | | |
| BLEACHER MODEL #: NA-0521TPDLX_CL | DRAWING NUMBER: TD.1 | |



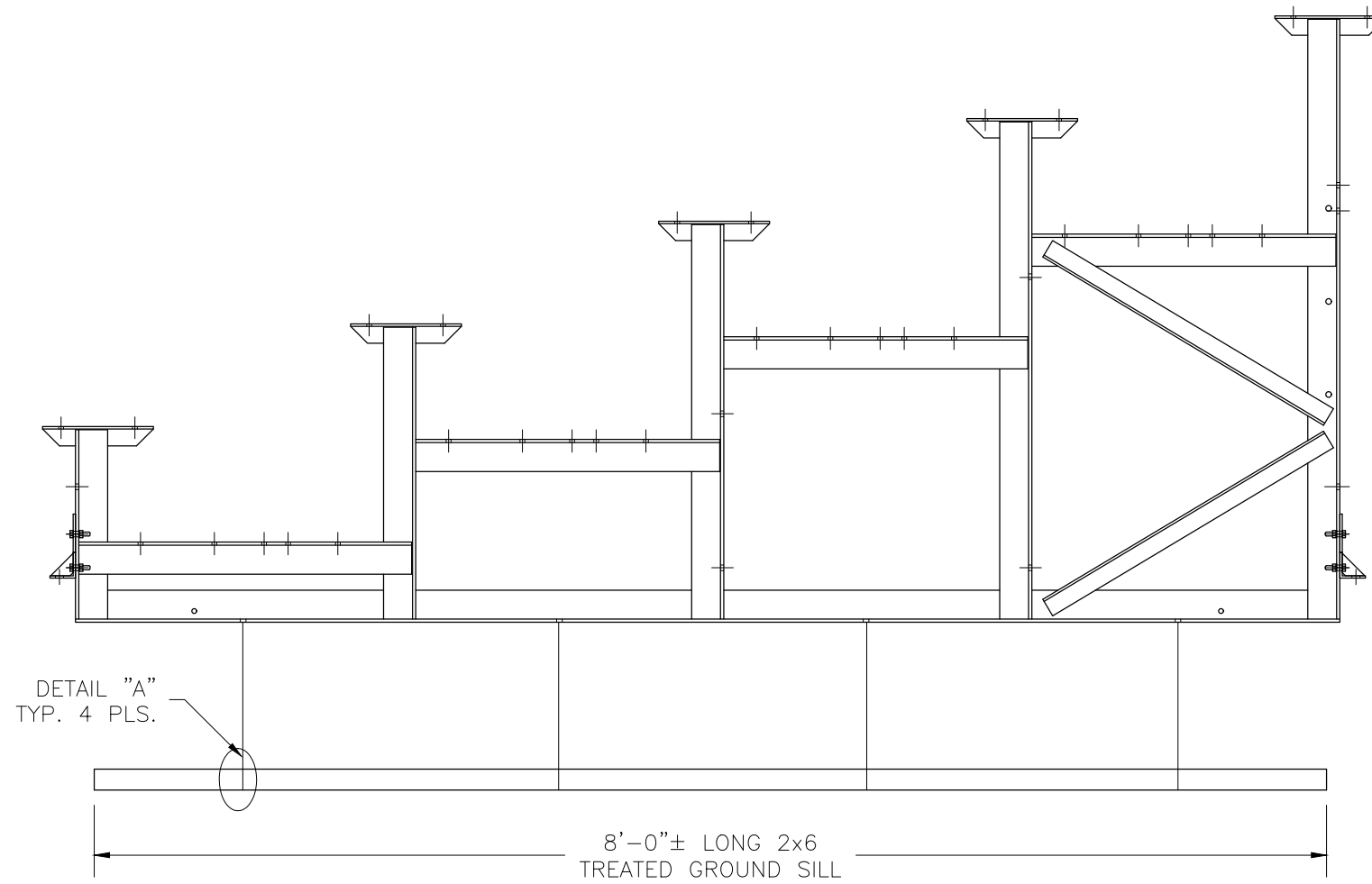
This drawing and all information contained herein is the property of NATIONAL RECREATION SYSTEMS, INC. and is not to be reproduced without express written permission of this manufacturer. We assume no responsibility for unauthorized use of this drawing. National Recreation Systems, Inc. is not responsible for local permits and occupancy requirements.

National Recreation Systems, Inc.
 5120 INVESTMENT DRIVE - FORT WAYNE, IN 46808

| | | |
|--|----------------------|---------------|
| SCALE: N.T.S. | APPROVED BY: | DRAWN BY: JML |
| DATE: 6/9/16 | | |
| TITLE: NON ELEV. 5 ROW X 21' TRANSP. BLEACHER ASSEMBLY | | |
| BLEACHER MODEL #: NA-0521PDLX_CL | DRAWING NUMBER: BA.1 | |

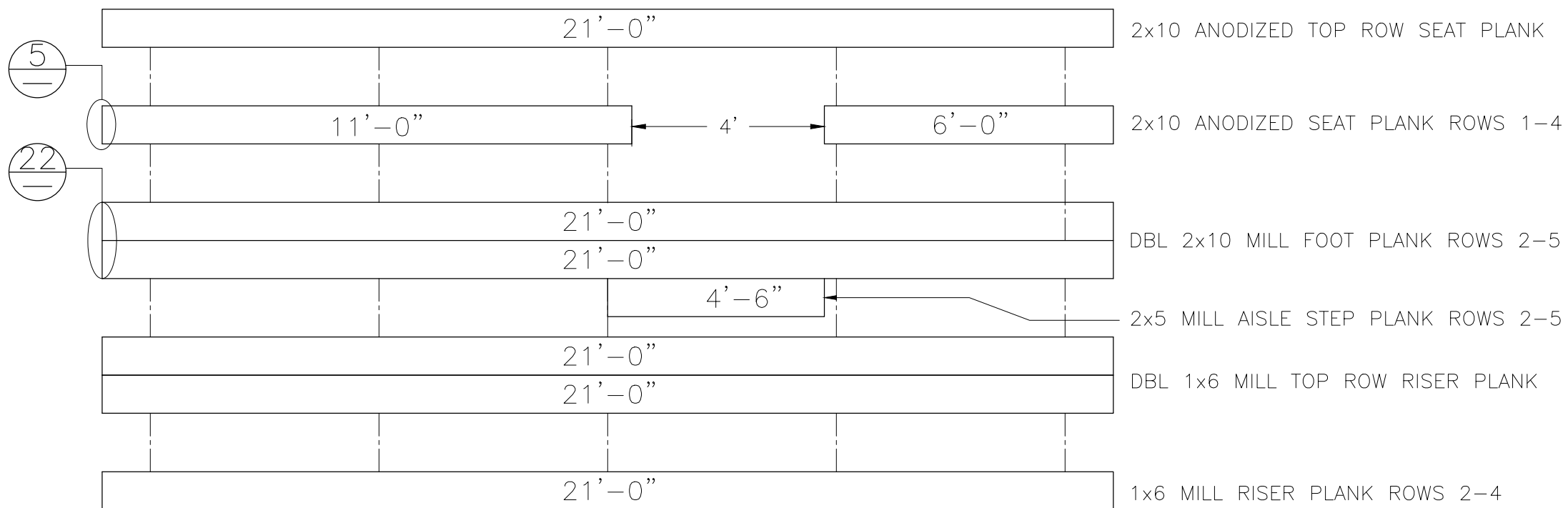


DETAIL "A" - GROUND SILL ATTACHMENT

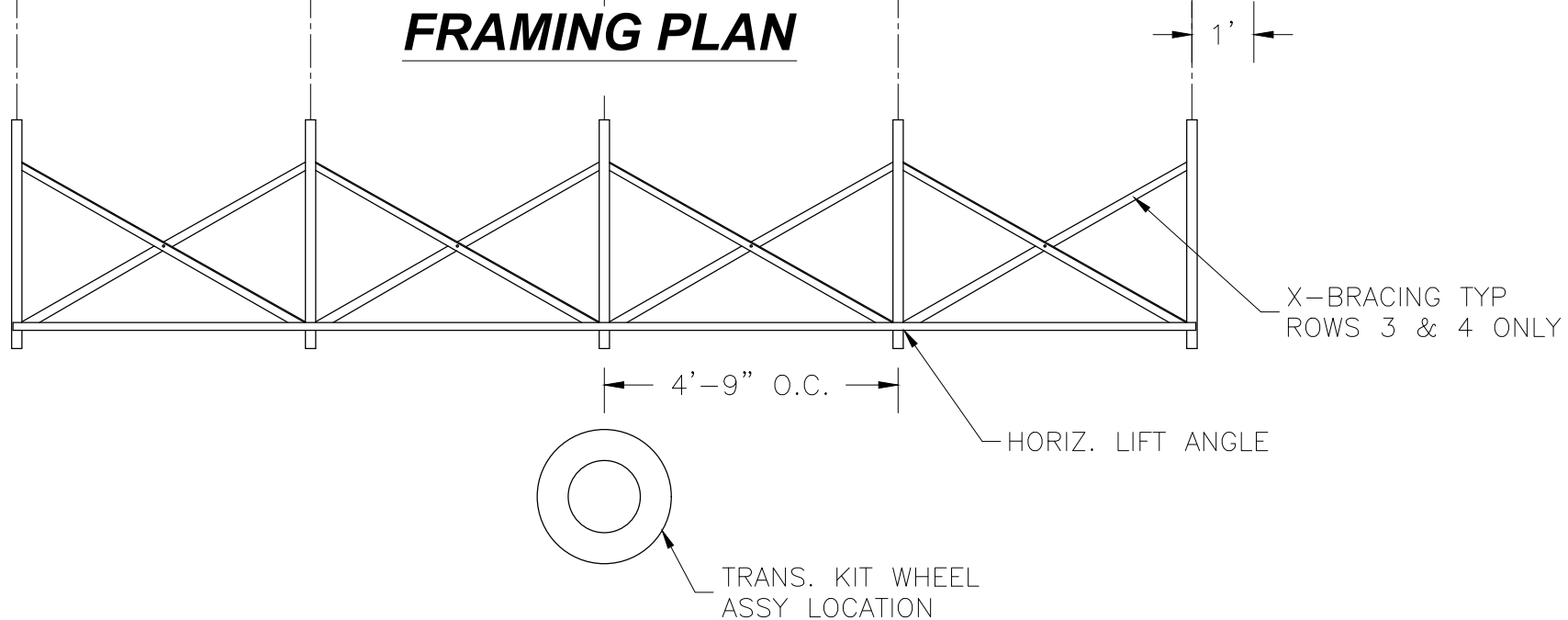


| | | | | |
|--|--------------|---------------|--|--|
| This drawing and all information contained herein is the property of NATIONAL RECREATION SYSTEMS, INC. and is not to be reproduced without express written permission of this manufacturer. We assume no responsibility for unauthorized use of this drawing. National Recreation Systems, Inc. is not responsible for local permits and occupancy requirements. | | | National Recreation Systems, Inc. | |
| | | | 5120 INVESTMENT DRIVE - FORT WAYNE, IN 46808 | |
| SCALE: N.T.S. | APPROVED BY: | DRAWN BY: JML | | |
| DATE: 1/20/16 | | | | |
| TITLE: NON ELEV. 5 ROW X 21' TRANSP. GROUND SILL ASSEMBLY | | | | |
| BLEACHER MODEL #: NA-0521TPDLX_CL | | | DRAWING NUMBER: GS.1 | |

PLANK PLAN



FRAMING PLAN



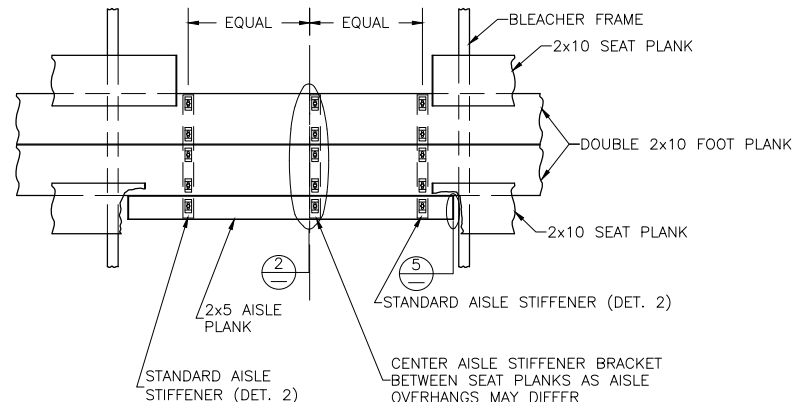
This drawing and all information contained herein is the property of NATIONAL RECREATION SYSTEMS, INC. and is not to be reproduced without express written permission of this manufacturer. We assume no responsibility for unauthorized use of this drawing. National Recreation Systems, Inc. is not responsible for local permits and occupancy requirements.

National Recreation Systems, Inc.

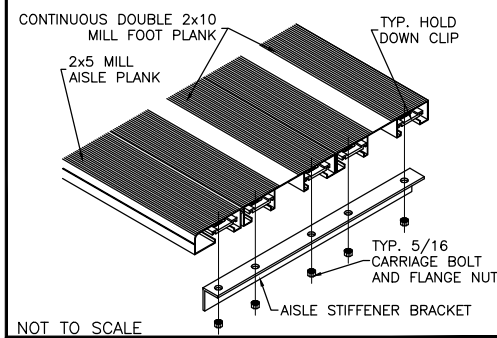
5120 INVESTMENT DRIVE - FORT WAYNE, IN 46808

| | | |
|---|----------------------|---------------|
| SCALE: N.T.S. | APPROVED BY: | DRAWN BY: JML |
| DATE: 6/9/16 | | |
| TITLE: NON ELEV. 5 ROW X 21' TRANSP. PLANK & FRAMING PLAN | | |
| BLEACHER MODEL #: NA-0521TPDLX_CL | DRAWING NUMBER: PF.1 | |

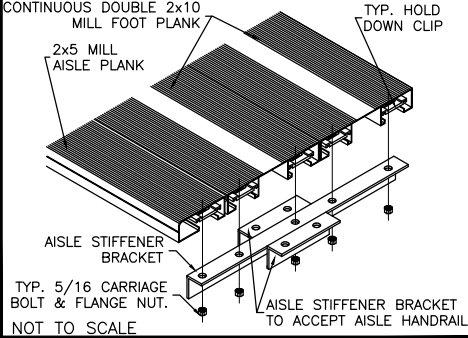
1 AISLE PLAN TYP. ALL ROWS



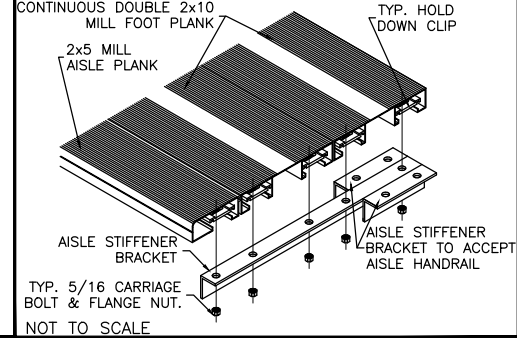
2 TYP. AISLE BKT DETAIL



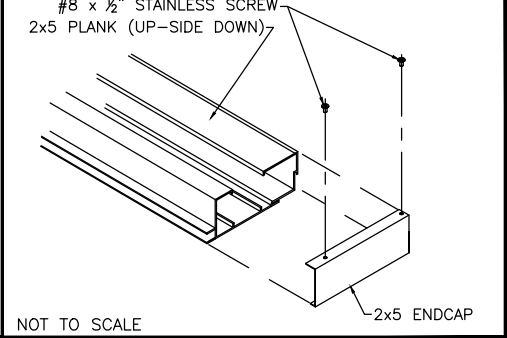
3 FRONT AISLE H.R. BRACKET DETAIL



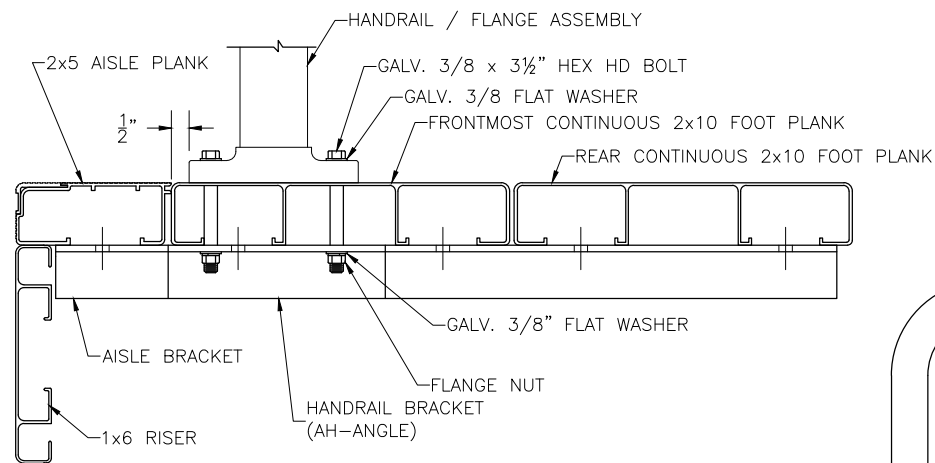
4 REAR AISLE H.R. BRACKET DETAIL



5 TYP 2x5 ENDCAP ATTACHMENT

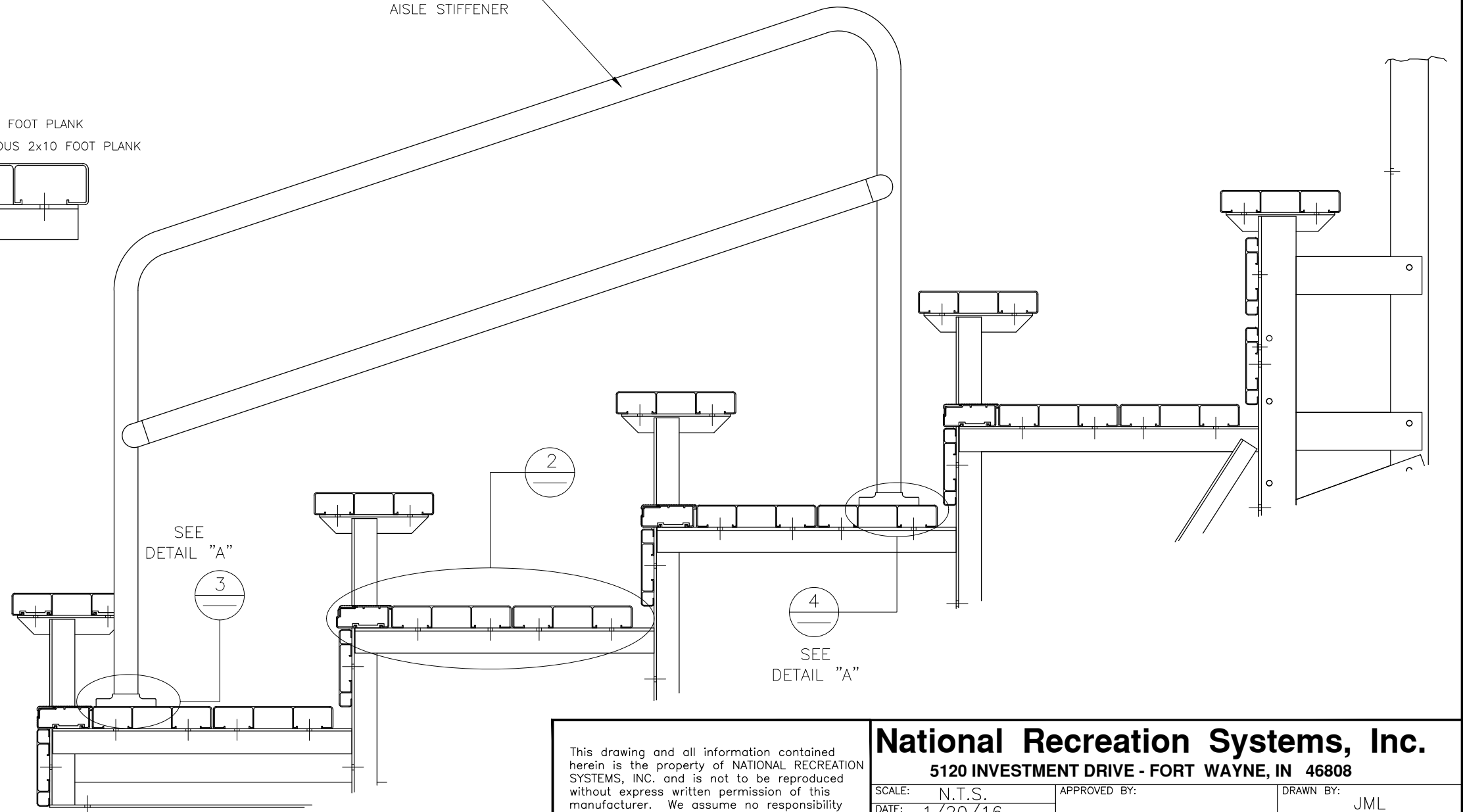


3 STEP AISLE HANDRAIL
TYP 1 PLS. PER AISLE
LOCATE OVER CENTER
AISLE STIFFENER



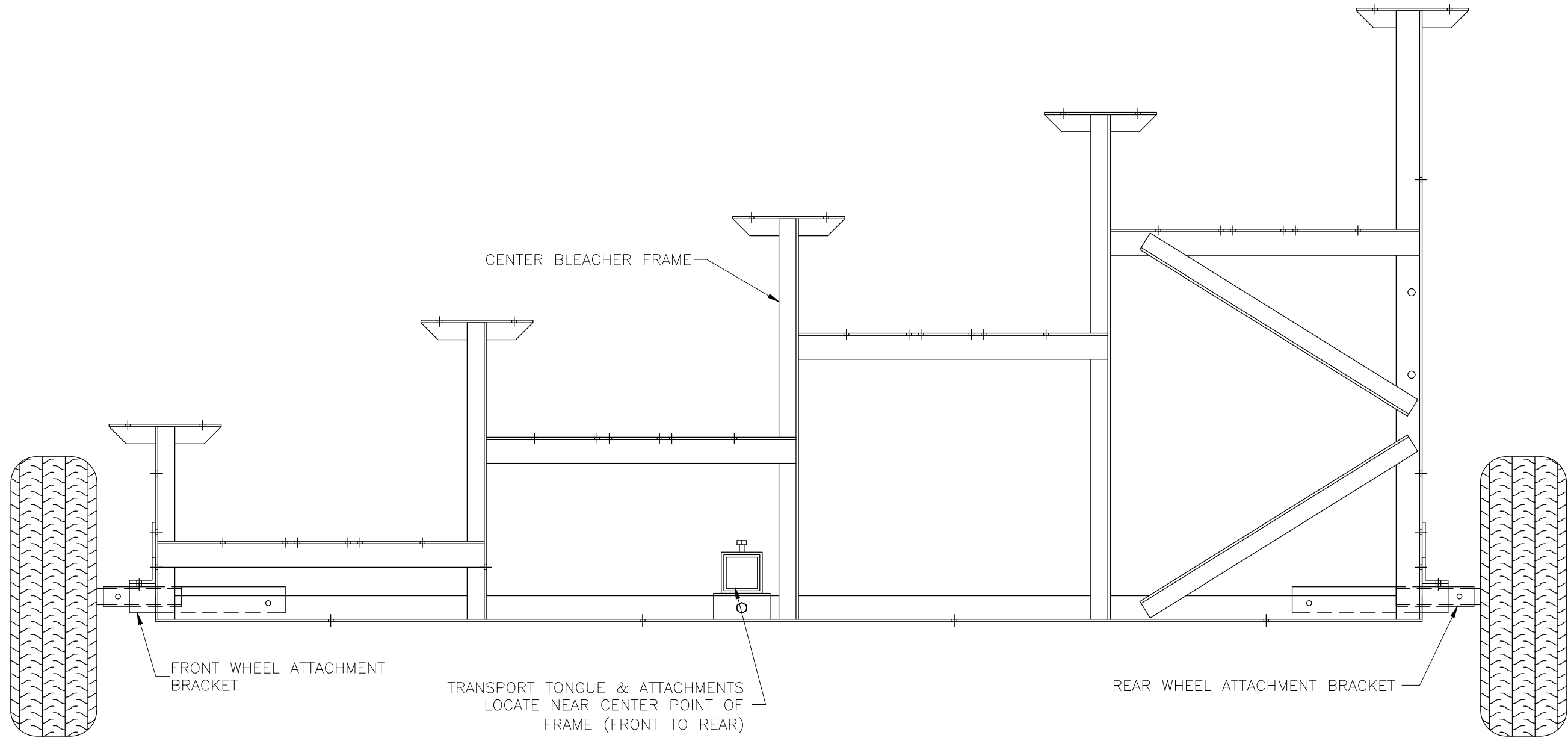
DETAIL A

ALIGN EDGE OF FLANGE APPROX. 1/2" FROM THE LEADING EDGE OF THE FRONT MOST CONTINUOUS 2x10 FOOT PLANK (NOT THE 2x5 AISLE STEP PLANK). SLIGHTLY ADJUST FLANGE LOCATION, IF NECESSARY, SO THAT THE BOLT HOLE IS NOT DRILLED INTO A VERTICAL LEG OF THE PLANK. DRILL $\phi 7/16$ " HOLES (FOR 3/8" BOLT). ASSEMBLE AS SHOWN USING GALV. STEEL BOLTS, FLAT WASHERS & FLANGE NUTS.

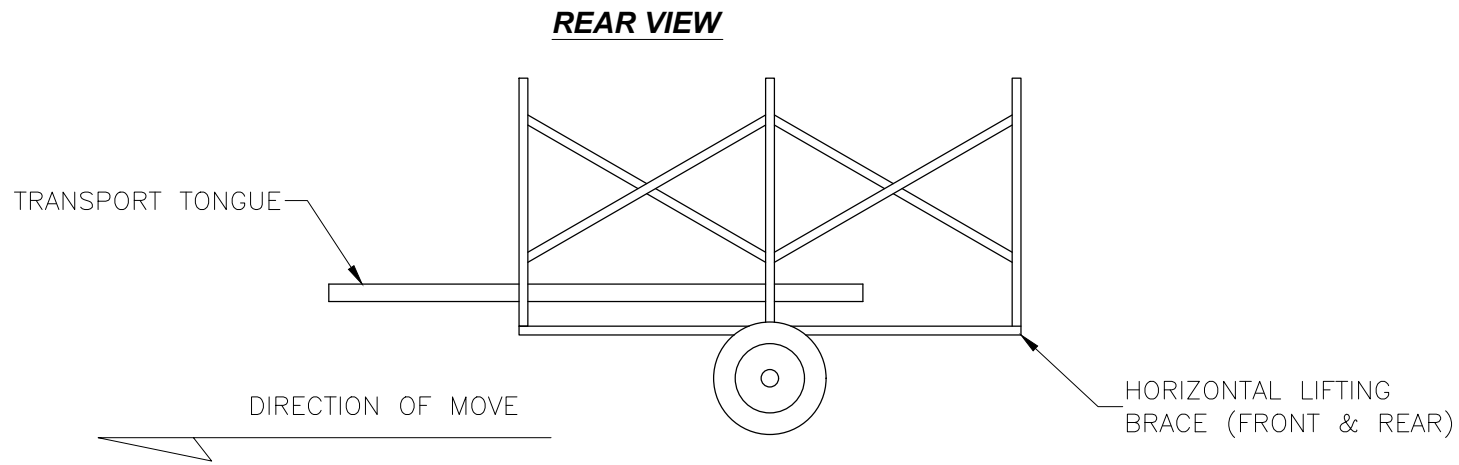


This drawing and all information contained herein is the property of NATIONAL RECREATION SYSTEMS, INC. and is not to be reproduced without express written permission of this manufacturer. We assume no responsibility for unauthorized use of this drawing. National Recreation Systems, Inc. is not responsible for local permits and occupancy requirements.

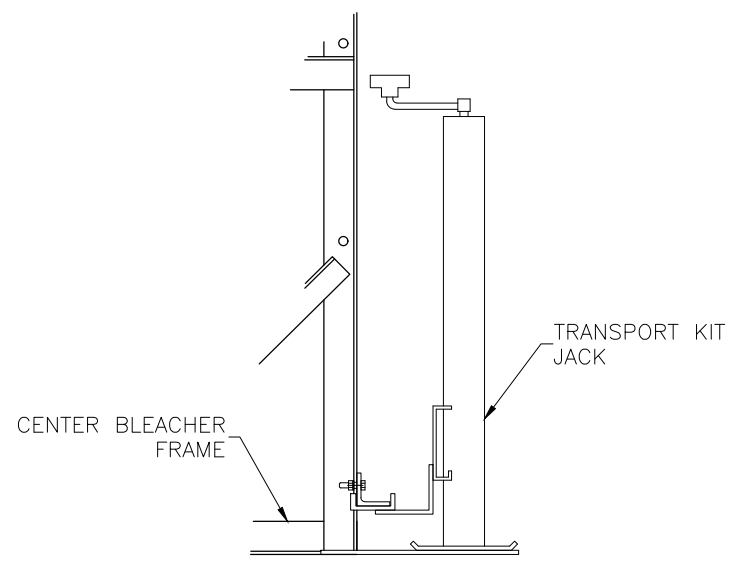
| | | |
|---|----------------------|---------------|
| National Recreation Systems, Inc. | | |
| 5120 INVESTMENT DRIVE - FORT WAYNE, IN 46808 | | |
| SCALE: N.T.S. | APPROVED BY: | DRAWN BY: JML |
| DATE: 1/20/16 | | |
| TITLE: NON ELEV. 5 ROW X 21' TRANSP. VERT. AISLE ASSEMBLY | | |
| BLEACHER MODEL #: NA-0521TPDLX_CL | DRAWING NUMBER: VA.1 | |



| | | | | |
|---|--|--|--|--------------|
| <p>This drawing and all information contained herein is the property of NATIONAL RECREATION SYSTEMS, INC. and is not to be reproduced without express written permission of this manufacturer. We assume no responsibility for unauthorized use of this drawing. National Recreation Systems, Inc. is not responsible for local permits and occupancy requirements.</p> | | | <p>National Recreation Systems, Inc. 5120 INVESTMENT DRIVE - FORT WAYNE, IN 46808</p> | |
| | | | SCALE: N.T.S. | APPROVED BY: |
| DATE: 1/20/16 | | | | |
| TITLE: NON ELEV. 5 ROW X 21' TRANSP. KIT ASSEMBLY | | | | |
| BLEACHER MODEL #: NA-0521TPDLX_CL | | | DRAWING NUMBER: TK.1 | |

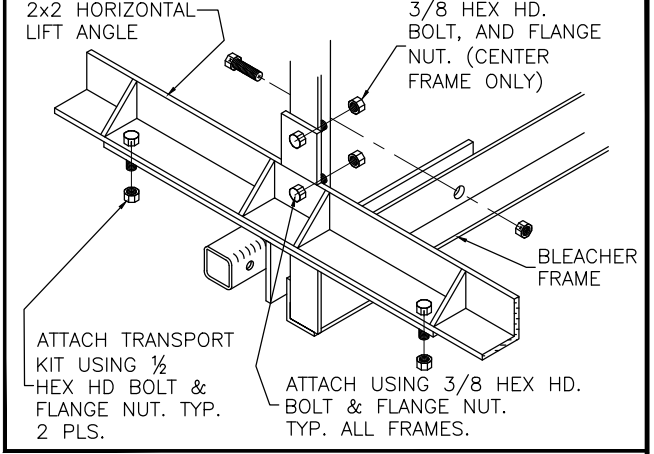


JACK ATTACHMENT

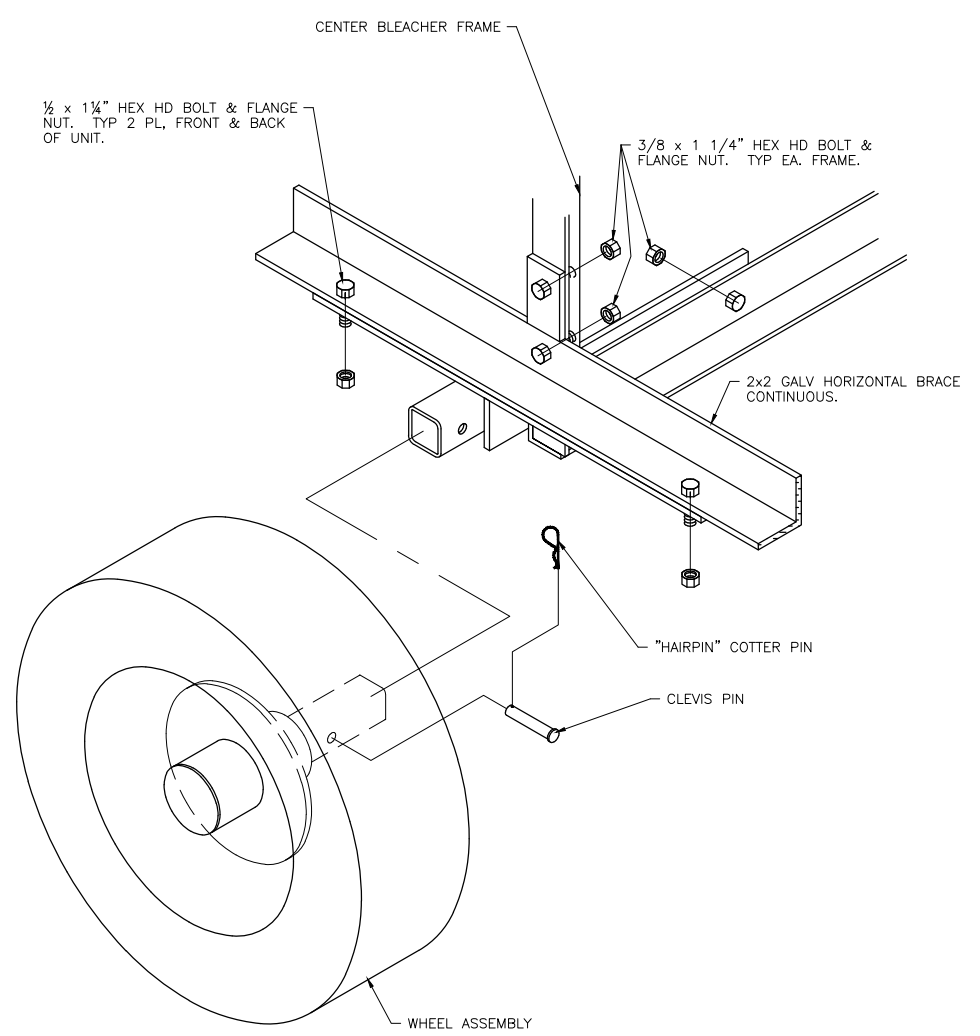


PLACE JACK ON UNDER SIDE OF HORIZONTAL BRACE APPROX. 14"–18" AWAY FROM CENTER FRAME, AS SHOWN. BLEACHER SHOULD ALWAYS BE ON SOLID, LEVEL GROUND, AND BE STABILIZED TO PREVENT MOVEMENT WHEN USING JACK.

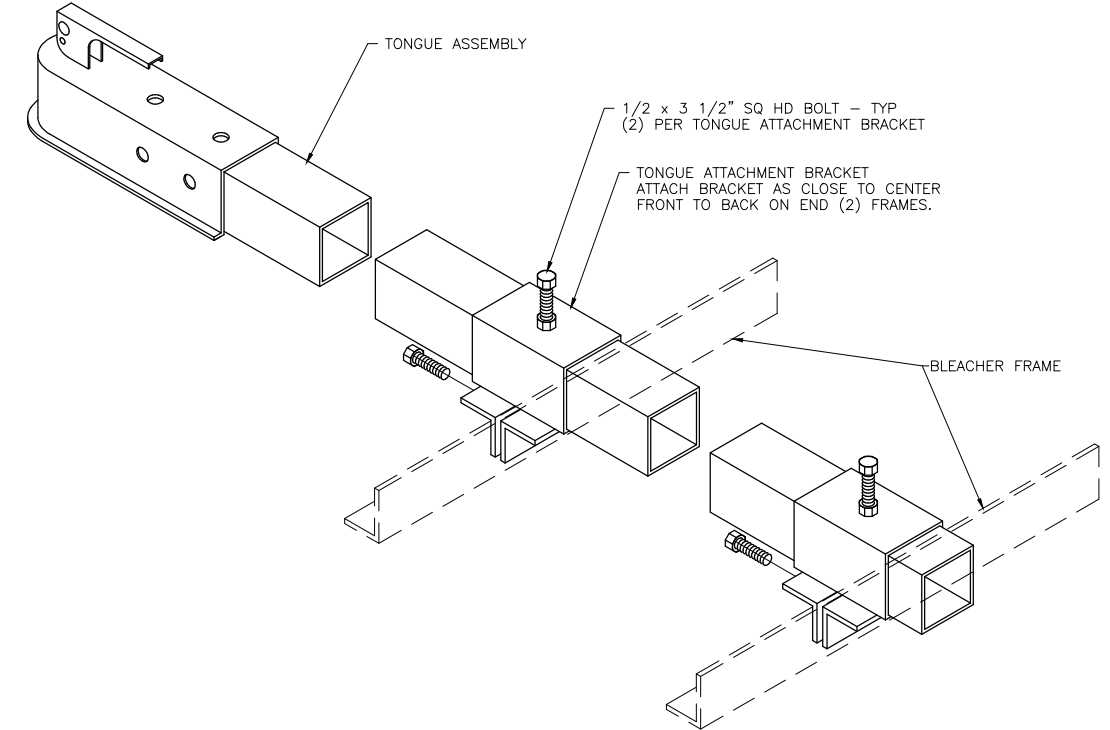
HORIZ. LIFT ANGLE ATTACHMENT



WHEEL ASSEMBLY



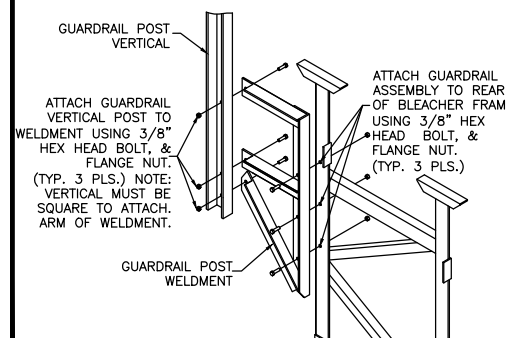
TONGUE ASSEMBLY



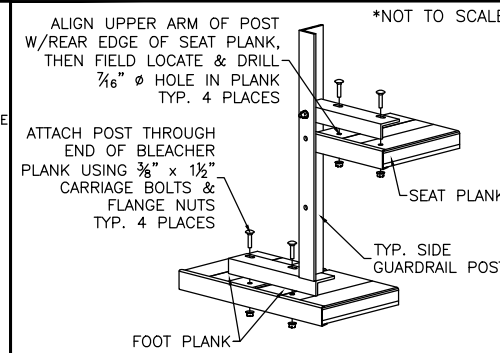
This drawing and all information contained herein is the property of NATIONAL RECREATION SYSTEMS, INC. and is not to be reproduced without express written permission of this manufacturer. We assume no responsibility for unauthorized use of this drawing. National Recreation Systems, Inc. is not responsible for local permits and occupancy requirements.

| | | |
|---|----------------------|---------------|
| National Recreation Systems, Inc. | | |
| 5120 INVESTMENT DRIVE - FORT WAYNE, IN 46808 | | |
| SCALE: N.T.S. | APPROVED BY: | DRAWN BY: JML |
| DATE: 1/20/16 | | |
| TITLE: NON ELEV. 5 ROW X 21' TRANSPORT KIT ASSEMBLY | | |
| BLEACHER MODEL #: NA-0521TPDLX_CL | DRAWING NUMBER: TK.1 | |

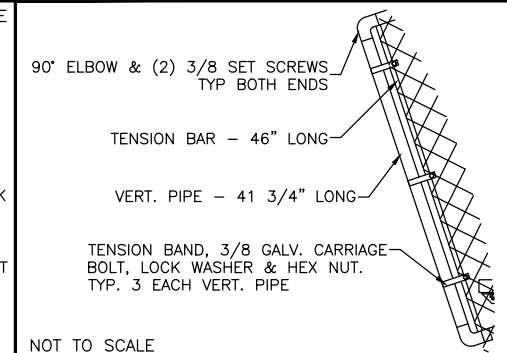
⊕ REAR GUARDRAIL POST ATTACH.



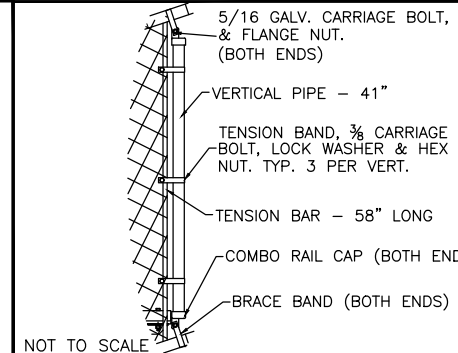
⊕ SIDE GD. RAIL POST INSTALLATION



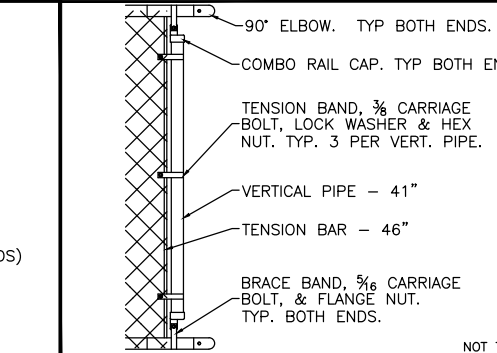
⊕ VERT. PIPE DETAIL (NE-SIDE,BOTT.)



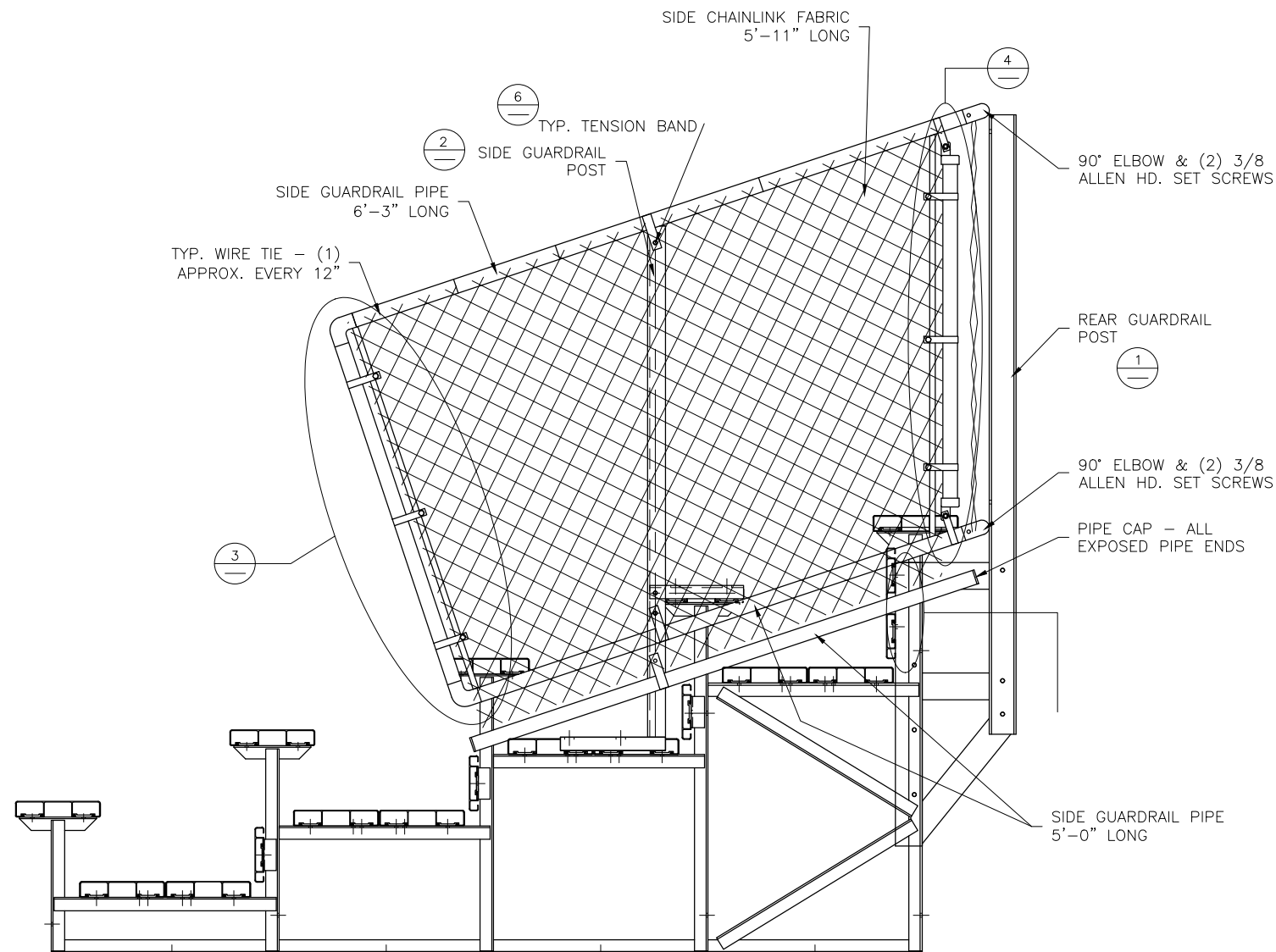
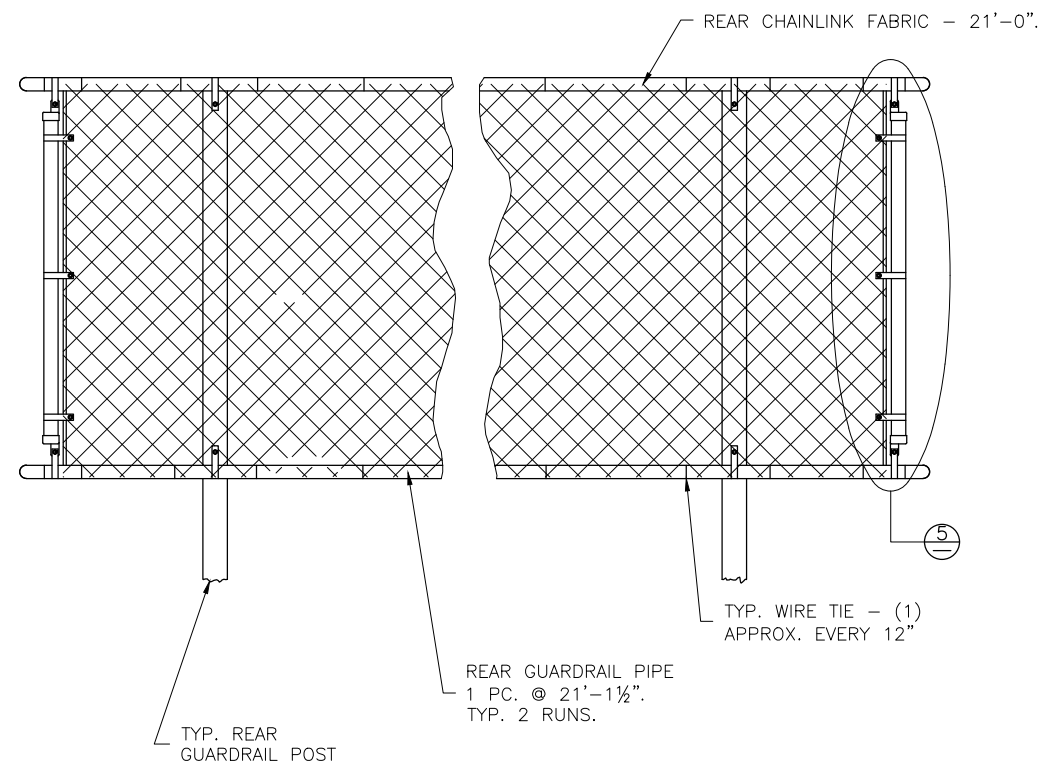
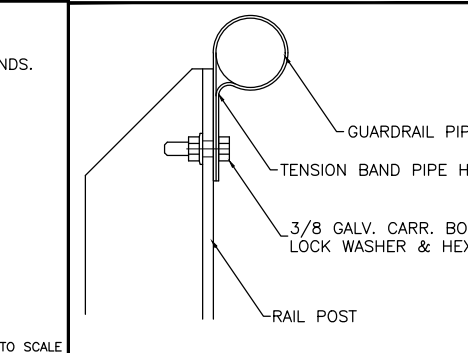
⊕ VERT. PIPE DETAIL (SIDE, TOP)



⊕ VERT. PIPE DETAIL-REAR, TOP



⊕ TENSION BAND ATTACHMENT

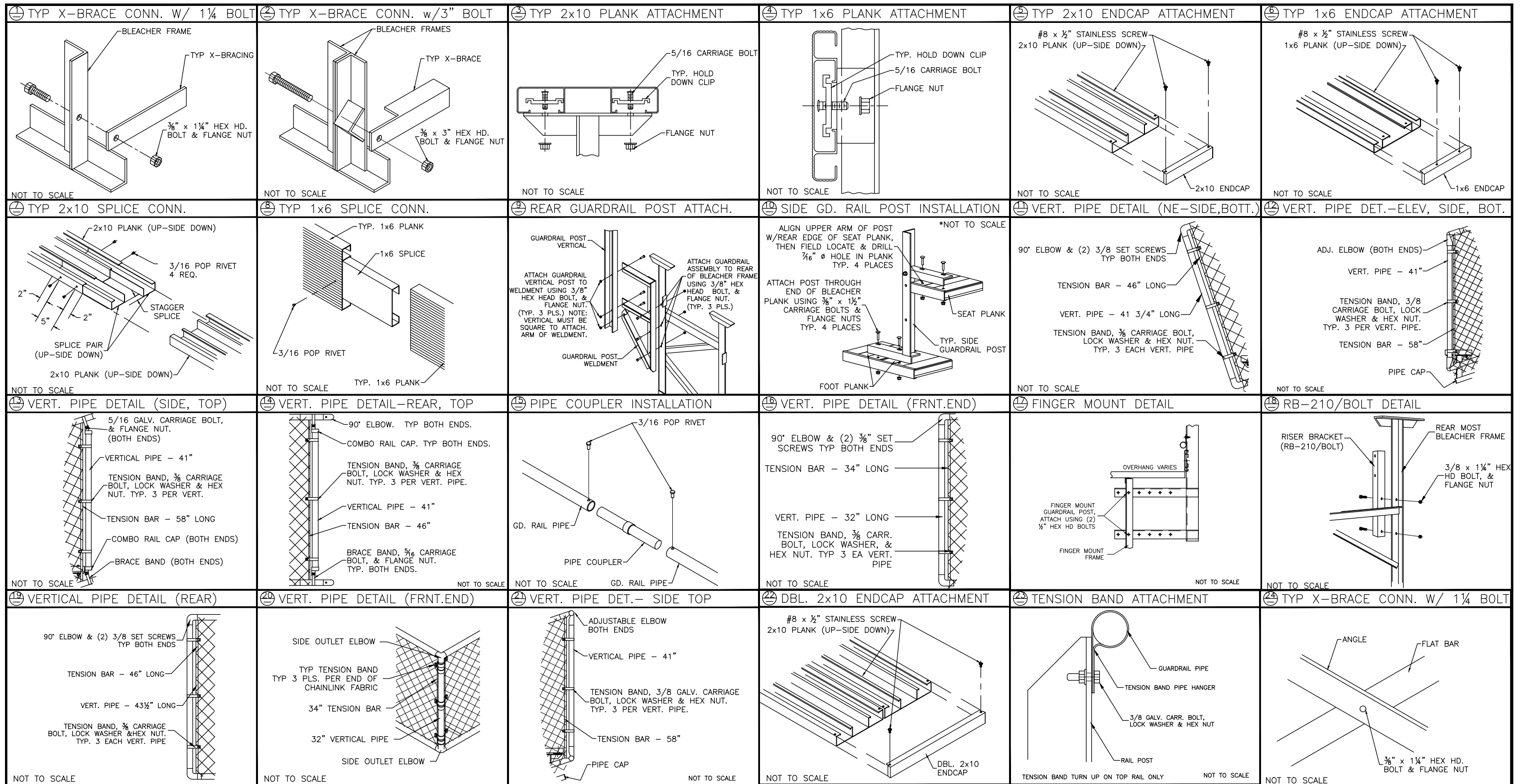


This drawing and all information contained herein is the property of NATIONAL RECREATION SYSTEMS, INC. and is not to be reproduced without express written permission of this manufacturer. We assume no responsibility for unauthorized use of this drawing. National Recreation Systems, Inc. is not responsible for local permits and occupancy requirements.

National Recreation Systems, Inc.

5120 INVESTMENT DRIVE - FORT WAYNE, IN 46808

| | | |
|--|----------------------|---------------|
| SCALE: N.T.S. | APPROVED BY: | DRAWN BY: JML |
| DATE: 6/9/16 | | |
| TITLE: NON ELEV. 5 ROW X 21' TRANSP. GUARD RAIL ASSEMBLY | | |
| BLEACHER MODEL #: NA-0521TPDLX_CL | DRAWING NUMBER: GR.1 | |



| | | | | | |
|---|-----------------------------|-----------------------------|--|--|--|
| <p>This drawing and all information contained herein is the property of NATIONAL RECREATION SYSTEMS, INC. and is not to be reproduced without express written permission of this manufacturer. We assume no responsibility for unauthorized use of this drawing. National Recreation Systems, Inc. is not responsible for local permits and occupancy requirements.</p> | | | | <p>National Recreation Systems, Inc. 5120 INVESTMENT DRIVE - FORT WAYNE, IN 46808</p> | |
| <p>SCALE: N.T.S.</p> | <p>APPROVED BY:</p> | <p>DRAWN BY: JML</p> | | | |
| <p>DATE: 6/9/16</p> | <p>TITLE: DETAIL SHEETS</p> | | | | |
| <p>BLEACHER MODEL #: NA-0521TPDLX_CL</p> | | <p>DRAWING NUMBER: DS.1</p> | | | |