

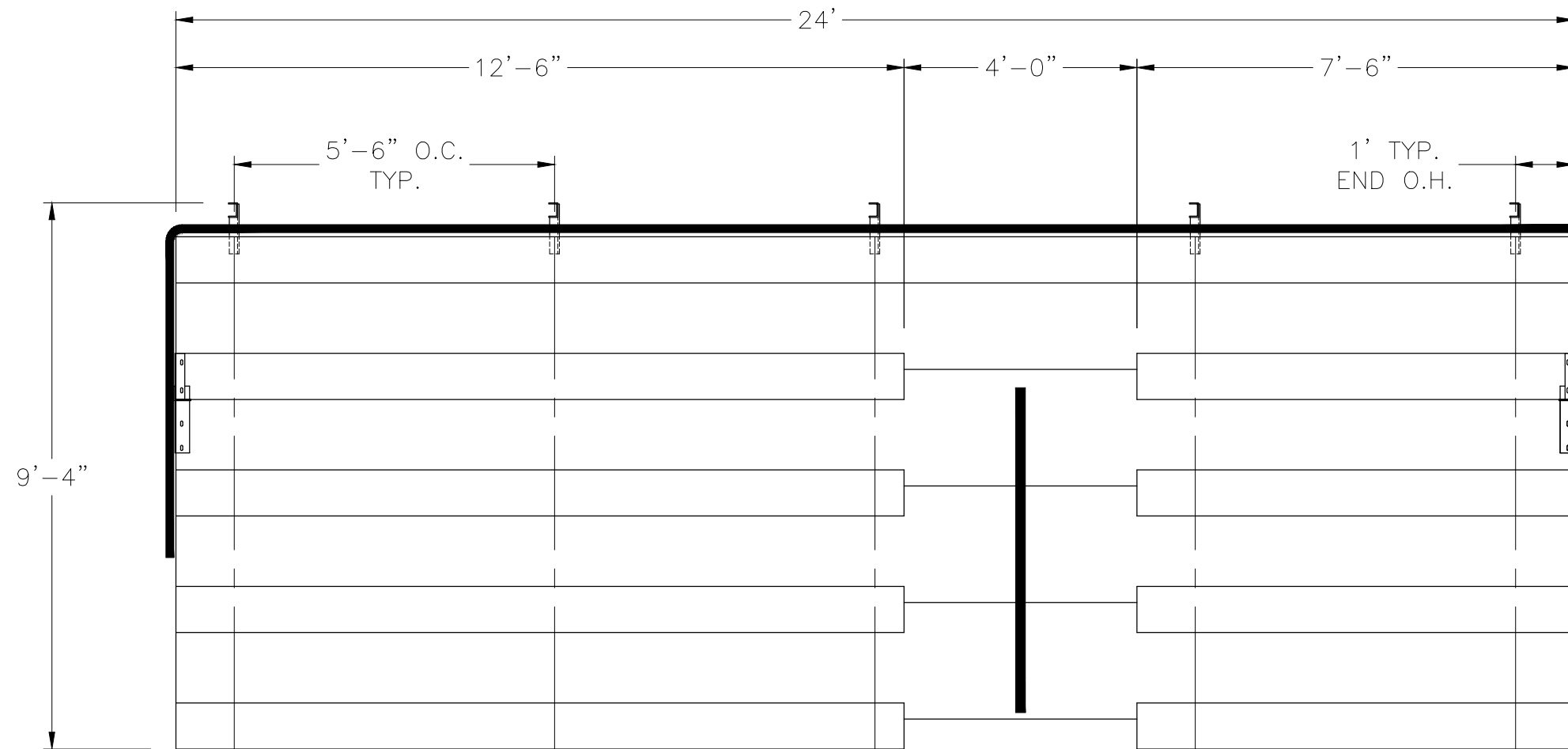
***NA-0524TPDLX\_CL***

***NON ELEVATED 5 ROW x 24'-0" BLEACHER***

**National Recreation Systems, Inc.**

**3100-D AIRPORT NORTH OFFICE PARK FORT WAYNE, IN 46825**

CS.1	- COVER SHEET
TD.1	- BLEACHER SEATING PLAN
GS.1	- GROUND SILL PLAN
BA.1	- BLEACHER ASSEMBLY
PF.1	- PLANK & FRAMING PLAN
TA.1	- TRANSPORT KIT ASSEMBLY
TA.2	- TRANSPORT KIT ASSEMBLY
VA.1	- VERTICAL AISLE ASSEMBLY
GR.1	- GUARDRAIL ASSEMBLY
DS.1	- DETAIL SHEET



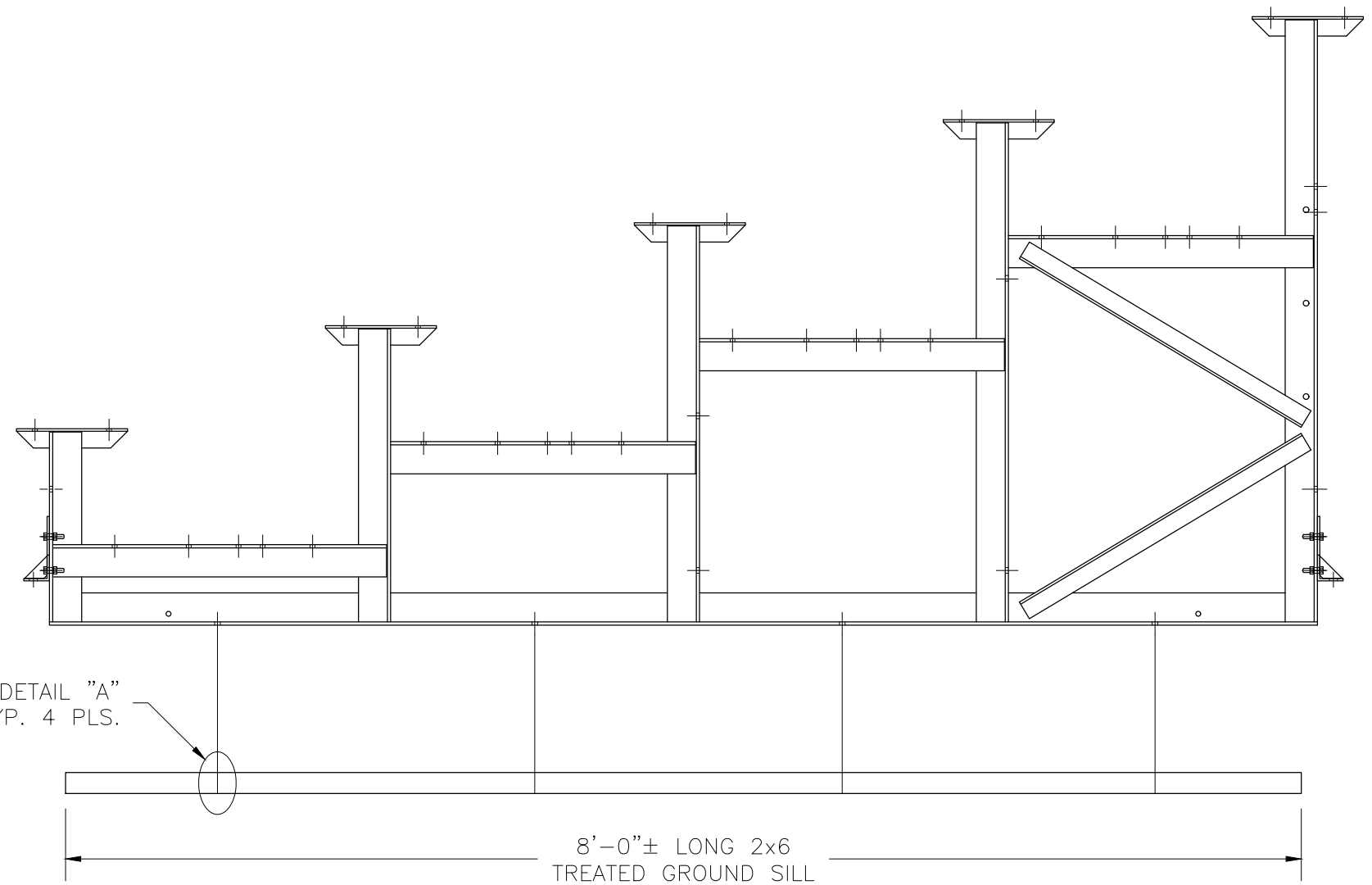
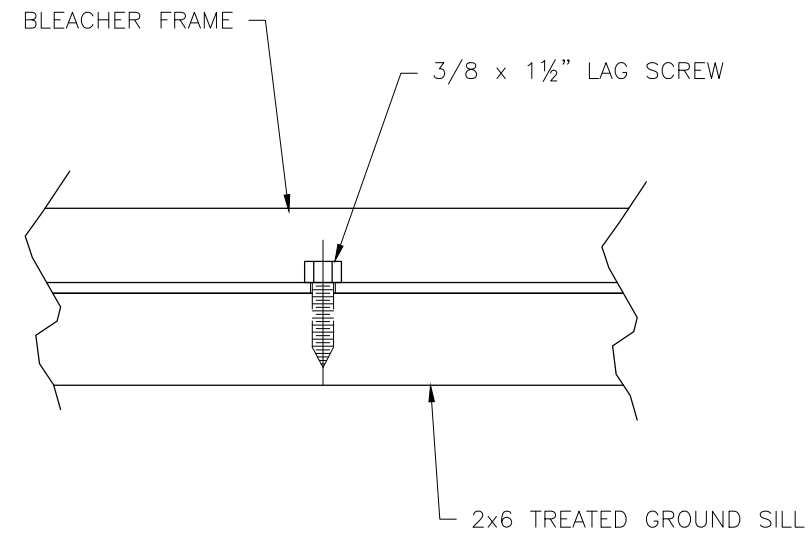
SECTION LENGTH	GROSS SEATS	ACTUAL SEATS	NO. OF ROWS	NET SEATS
24	16.00	16.00	1	16
12.5	8.33	8.00	4	32
7.5	5.00	5.00	4	20
<b>NET SEATS</b>				<b>68</b>
<b>WHEELCHAIR SPACES</b>				<b>0</b>
<b>TOTAL NET SEATING CAPACITY</b>				<b>68</b>
<b>(BASED ON 18" PER SEAT)</b>				

This drawing and all information contained herein is the property of NATIONAL RECREATION SYSTEMS, INC. and is not to be reproduced without express written permission of this manufacturer. We assume no responsibility for unauthorized use of this drawing. National Recreation Systems, Inc. is not responsible for local permits and occupancy requirements.

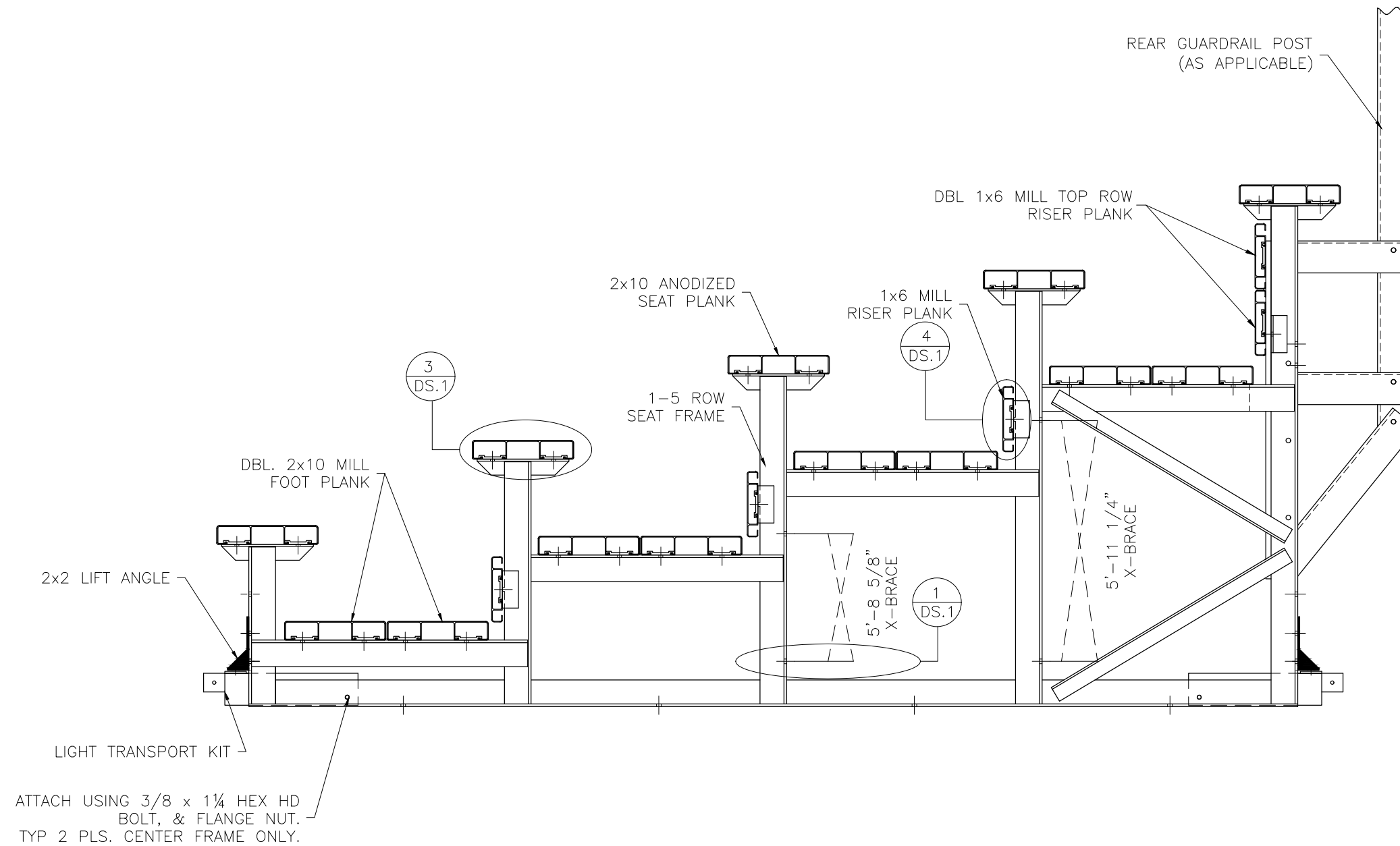
**National Recreation Systems, Inc.**  
**3100-D AIRPORT NORTH OFFICE PARK FORT WAYNE, IN 46825**

SCALE: N.T.S.	APPROVED BY:	DRAWN BY: JML
DATE: 03/19/15		
TITLE: NON ELEVATED 5 ROW x 24'-0" BLEACHER SEATING PLAN		
BLEACHER MODEL #: NA-0524TPDLX_CL	DRAWING NUMBER: TD.1	

**DETAIL 'A' - GROUND SILL ATTACHMENT**

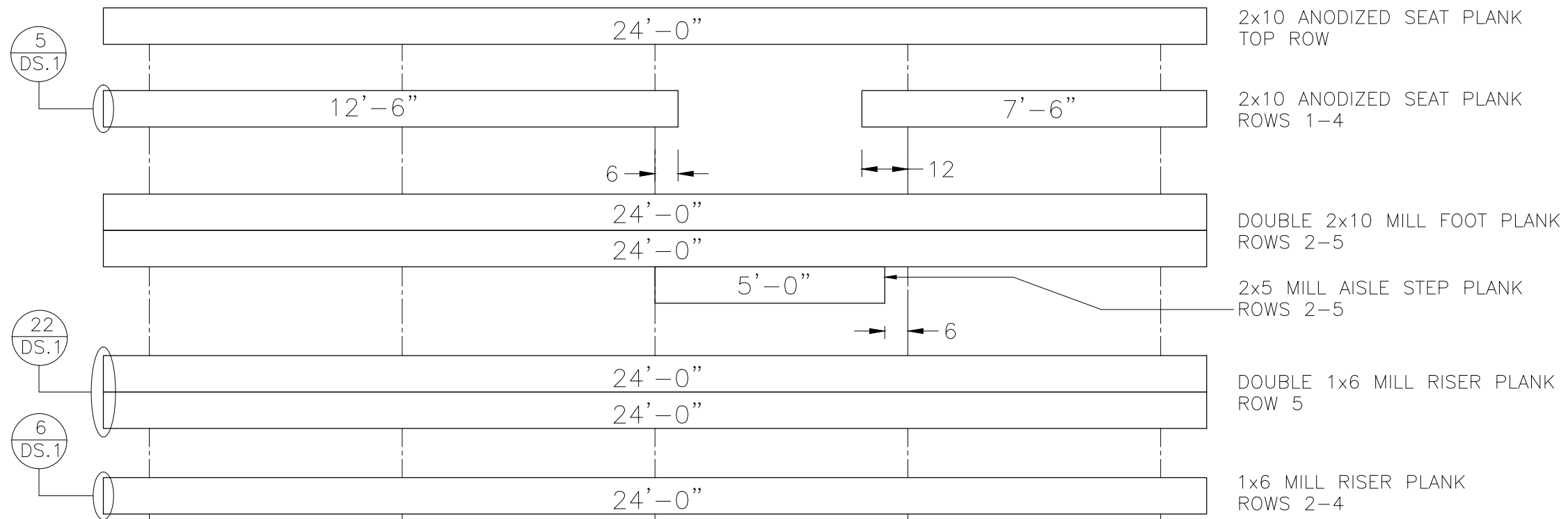


This drawing and all information contained herein is the property of NATIONAL RECREATION SYSTEMS, INC. and is not to be reproduced without express written permission of this manufacturer. We assume no responsibility for unauthorized use of this drawing. National Recreation Systems, Inc. is not responsible for local permits and occupancy requirements.			<b>National Recreation Systems, Inc.</b> 3100-D AIRPORT NORTH OFFICE PARK FORT WAYNE, IN 46825	
			SCALE: N.T.S.	APPROVED BY:
DATE: 03/19/15				
TITLE: NON ELEVATED 5 ROW x 24'-0" GROUND SILL PLAN				
BLEACHER MODEL #: NA-0524TPDLX_CL			DRAWING NUMBER: AP.1	

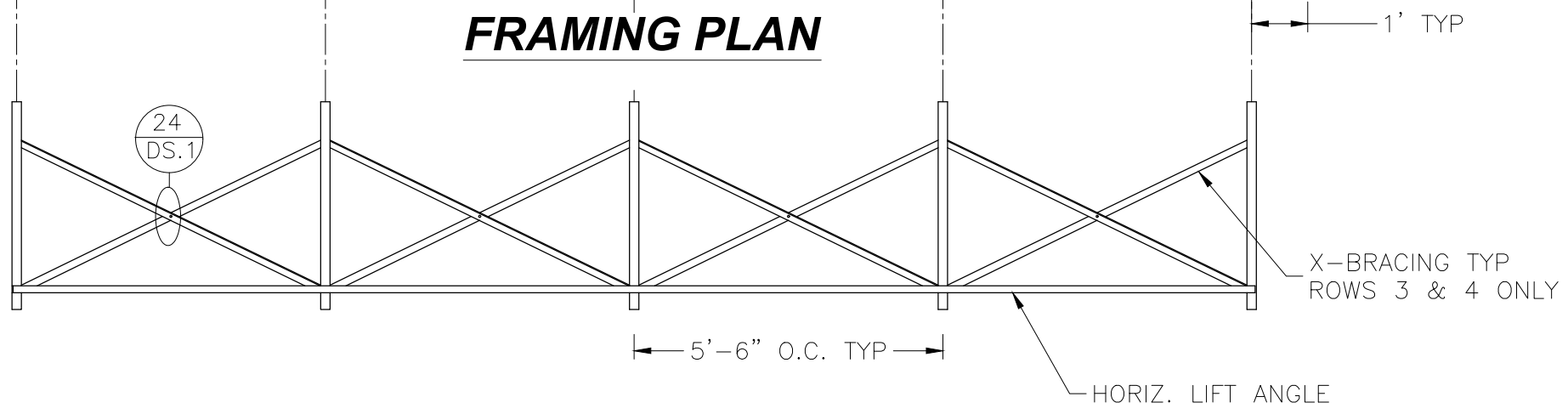


<p>This drawing and all information contained herein is the property of NATIONAL RECREATION SYSTEMS, INC. and is not to be reproduced without express written permission of this manufacturer. We assume no responsibility for unauthorized use of this drawing. National Recreation Systems, Inc. is not responsible for local permits and occupancy requirements.</p>		
<p><b>National Recreation Systems, Inc.</b>  <b>3100-D AIRPORT NORTH OFFICE PARK FORT WAYNE, IN 46825</b></p>		
SCALE: N.T.S.	APPROVED BY:	DRAWN BY: JML
DATE: 03/19/15		
TITLE: NON ELEVATED 5 ROW x 24'-0" BLEACHER ASSEMBLY		
BLEACHER MODEL #: NA-0524TPDLX_CL	DRAWING NUMBER: BA.1	

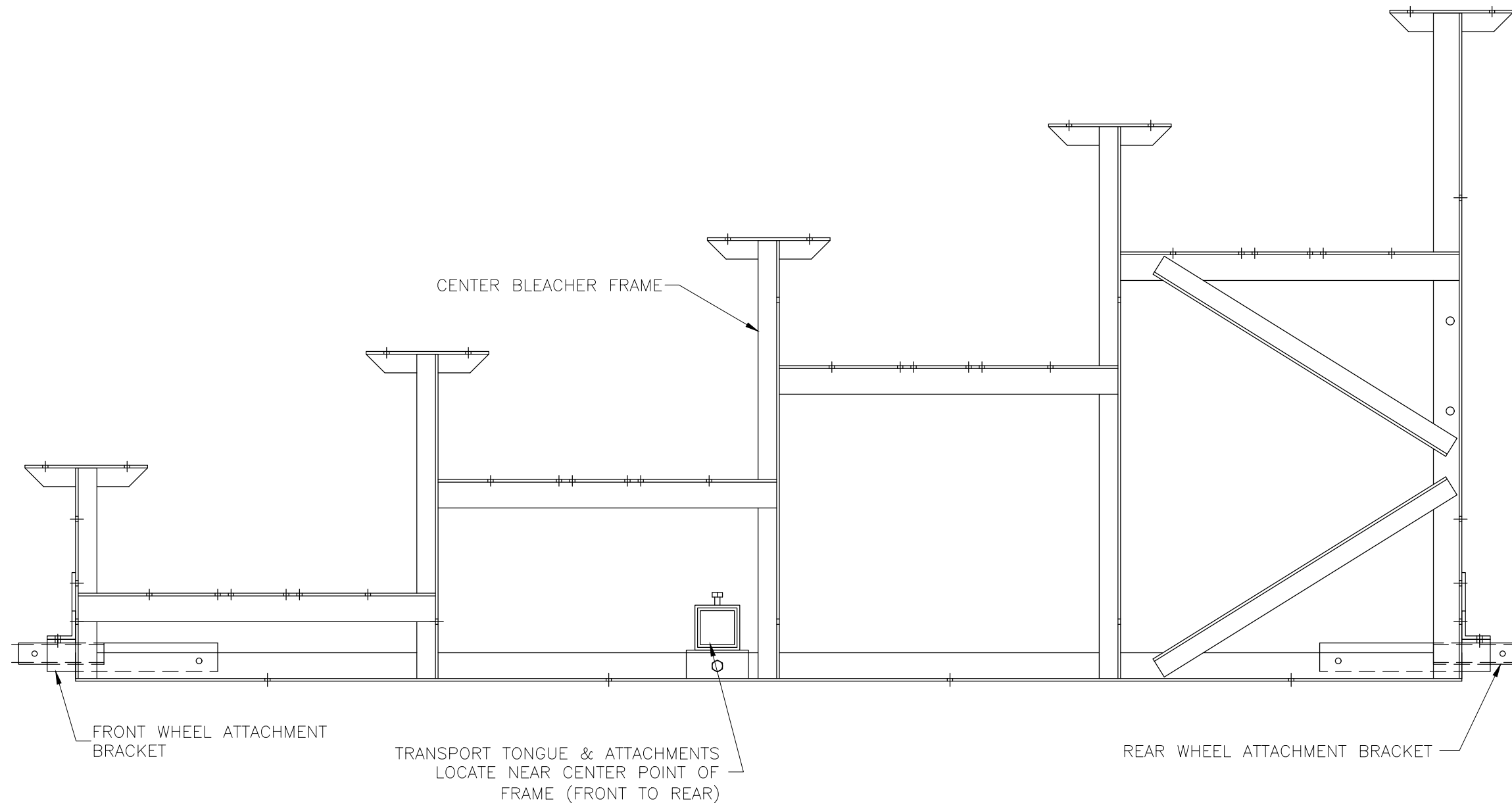
# PLANK PLAN



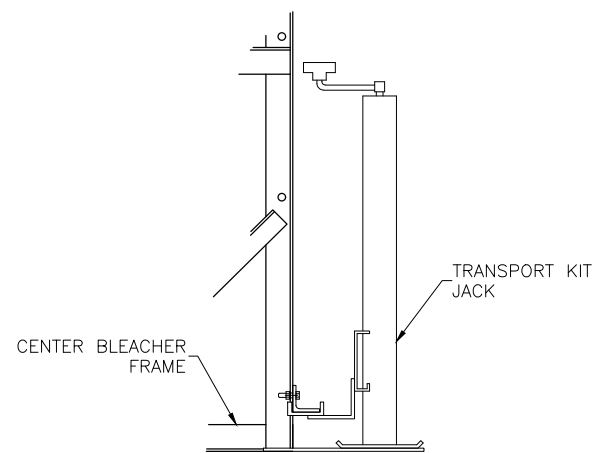
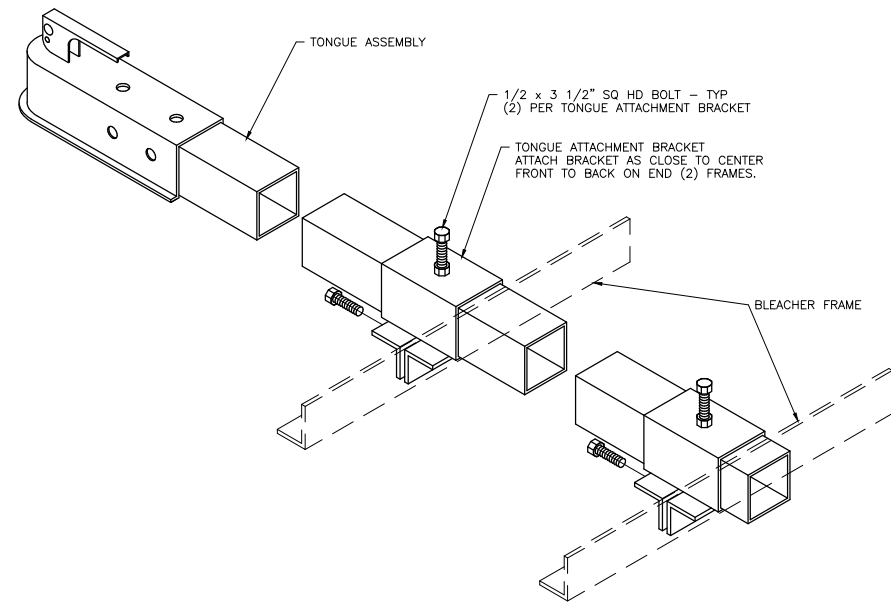
# FRAMING PLAN



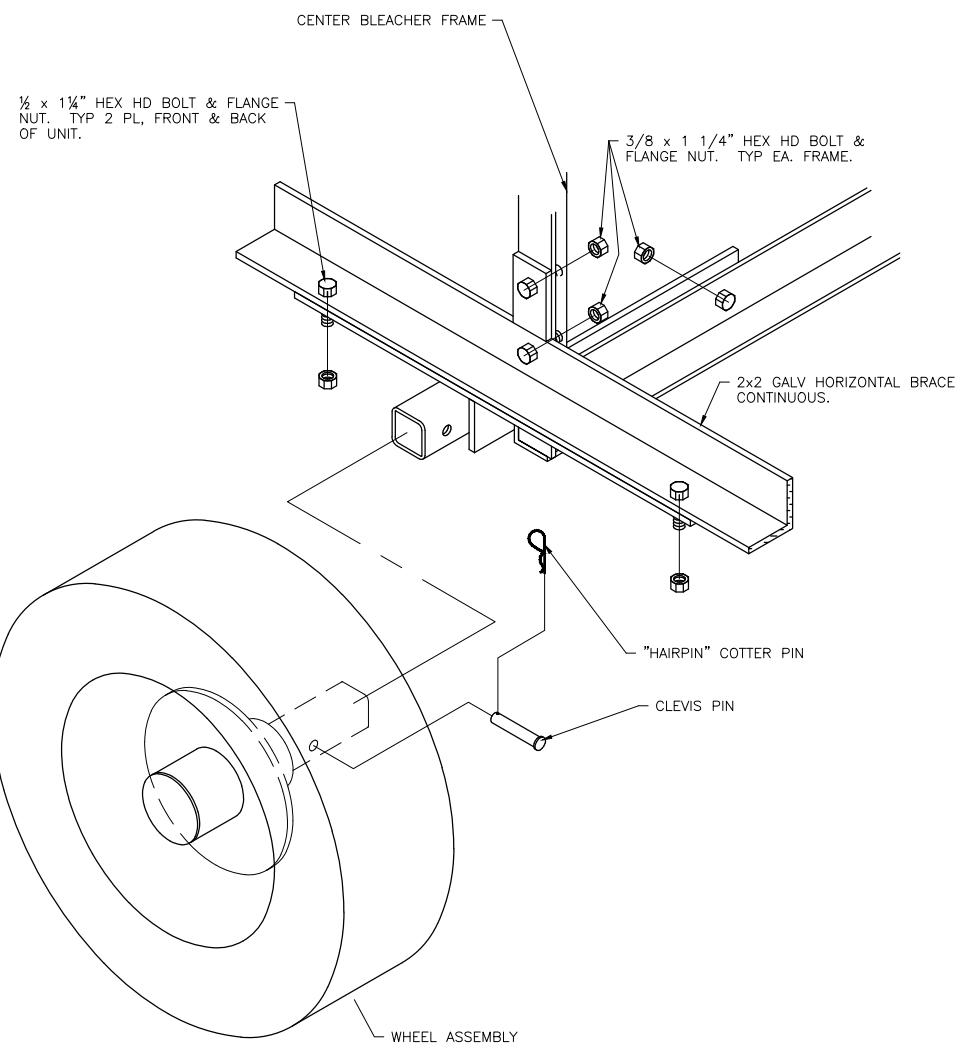
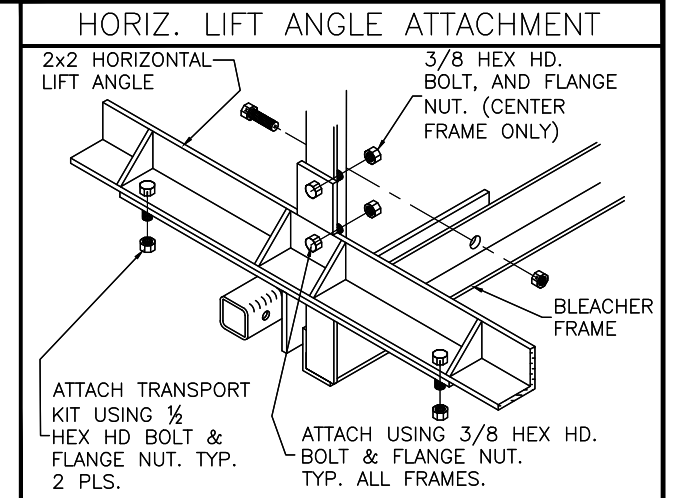
<p>This drawing and all information contained herein is the property of NATIONAL RECREATION SYSTEMS, INC. and is not to be reproduced without express written permission of this manufacturer. We assume no responsibility for unauthorized use of this drawing. National Recreation Systems, Inc. is not responsible for local permits and occupancy requirements.</p>			<p><b>National Recreation Systems, Inc.</b> 3100-D AIRPORT NORTH OFFICE PARK FORT WAYNE, IN 46825</p>		
SCALE: N.T.S.	APPROVED BY:	DRAWN BY: JML			
DATE: 03/19/15					
TITLE: NON ELEVATED 5 ROW x 24'-0" PLANK & FRAMING PLAN			DRAWING NUMBER: PF.1		
BLEACHER MODEL #: NA-0524TPDLX_CL					



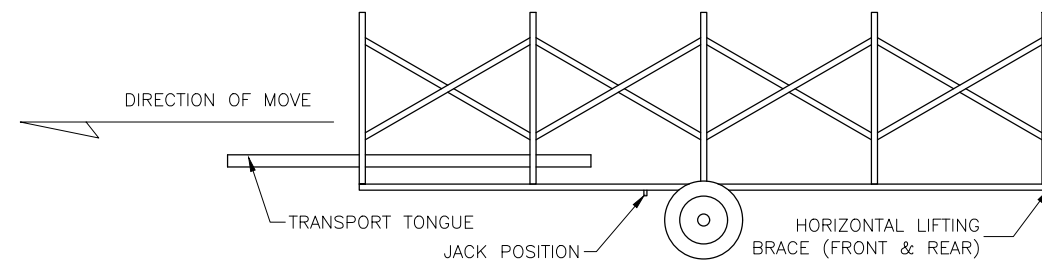
<p>This drawing and all information contained herein is the property of NATIONAL RECREATION SYSTEMS, INC. and is not to be reproduced without express written permission of this manufacturer. We assume no responsibility for unauthorized use of this drawing. National Recreation Systems, Inc. is not responsible for local permits and occupancy requirements.</p>			<p><b>National Recreation Systems, Inc.</b>  <b>3100-D AIRPORT NORTH OFFICE PARK FORT WAYNE, IN 46825</b></p>		
SCALE:	N.T.S.	APPROVED BY:	DRAWN BY: JML		
DATE:	03/19/15				
TITLE:	NON ELEVATED 5 ROW x 24'-0" TRANSP. KIT ASSEMBLY				
BLEACHER MODEL #:	NA-0524TPDLX_CL	DRAWING NUMBER:			TA.1



PLACE JACK ON UNDER SIDE OF HORIZONTAL BRACE  
APPROX. 14"-18" AWAY FROM CENTER FRAME, AS SHOWN.  
BLEACHER SHOULD ALWAYS BE ON SOLID, LEVEL GROUND,  
AND BE STABILIZED TO PREVENT MOVEMENT WHEN USING JACK.



### WHEEL LOCATION

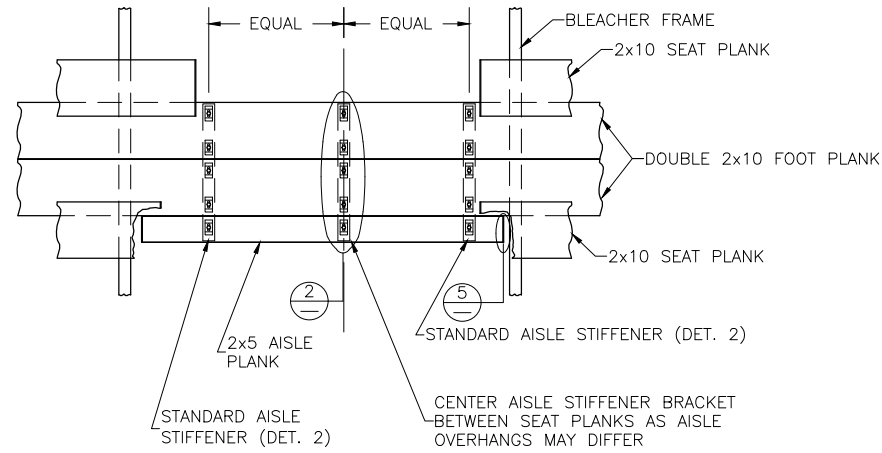


(FIGURE #2)

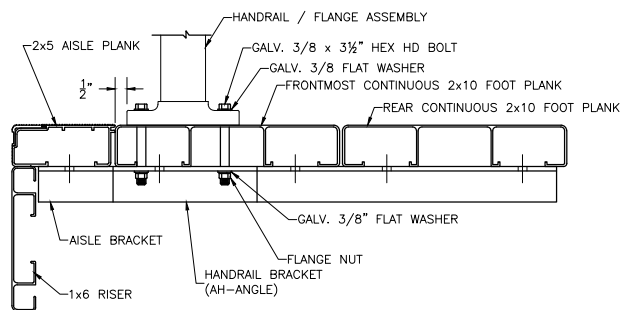
This drawing and all information contained herein is the property of NATIONAL RECREATION SYSTEMS, INC. and is not to be reproduced without express written permission of this manufacturer. We assume no responsibility for unauthorized use of this drawing. National Recreation Systems, Inc. is not responsible for local permits and occupancy requirements.

<b>National Recreation Systems, Inc.</b>		
3100-D AIRPORT NORTH OFFICE PARK FORT WAYNE, IN 46825		
SCALE: N.T.S.	APPROVED BY:	DRAWN BY: JML
DATE: 03/19/15		
TITLE: NON ELEVATED 5 ROW x 24'-0" TRANSP. KIT ASSEMBLY		
BLEACHER MODEL #: NA-0524TPDLX_CL	DRAWING NUMBER: TA.2	

1 AISLE PLAN TYP. ALL ROWS

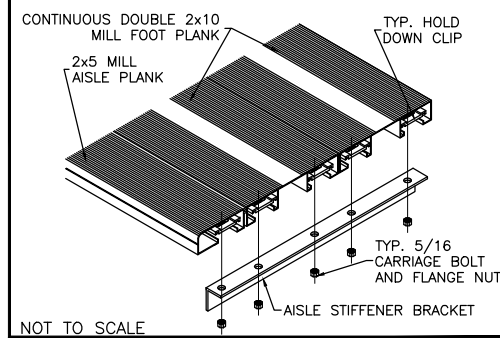


DETAIL "A"

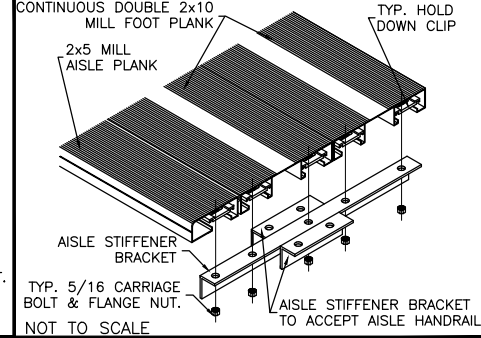


ALIGN EDGE OF FLANGE APPROX. 1/2" FROM THE LEADING EDGE OF THE FRONT MOST CONTINUOUS 2x10 FOOT PLANK (NOT THE 2x5 AISLE STEP PLANK). SLIGHTLY ADJUST FLANGE LOCATION, IF NECESSARY, SO THAT THE BOLT HOLE IS NOT DRILLED INTO A VERTICAL LEG OF THE PLANK. DRILL  $\varnothing 7/16$ " HOLES (FOR 3/8" BOLT). ASSEMBLE AS SHOWN USING GALV. STEEL BOLTS, FLAT WASHERS & FLANGE NUTS.

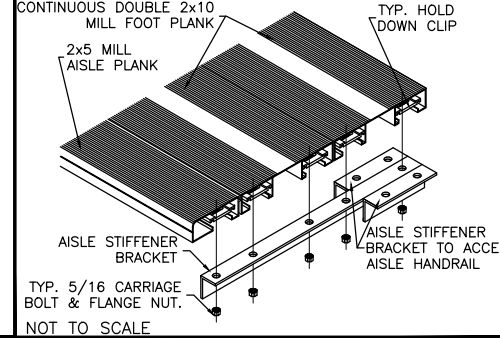
2 TYP. AISLE BKT DETAIL



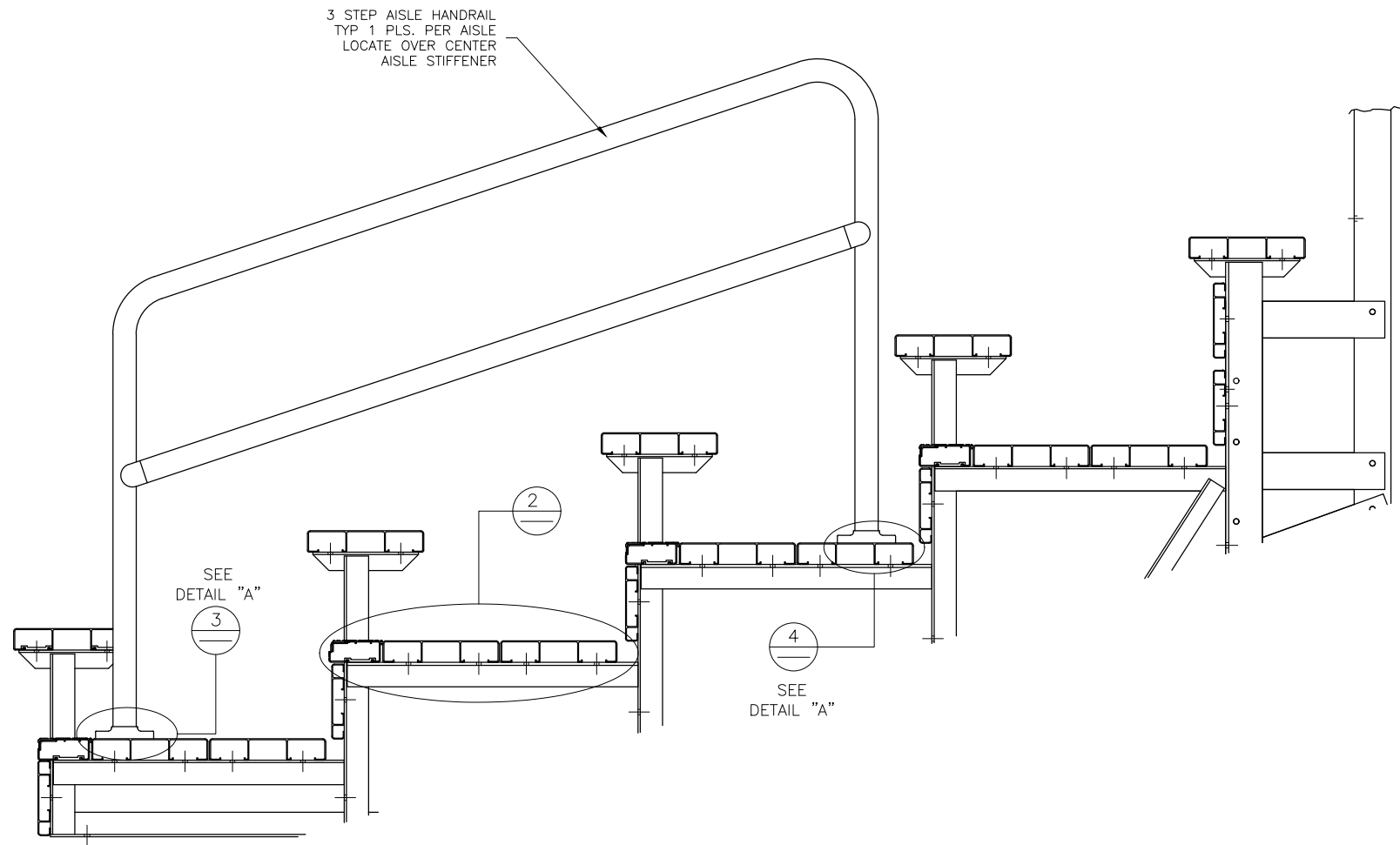
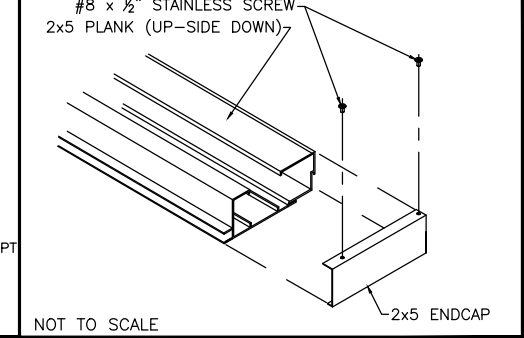
3 FRONT AISLE H.R. BRACKET DETAIL



4 REAR AISLE H.R. BRACKET DETAIL



5 TYP 2x5 ENDCAP ATTACHMENT

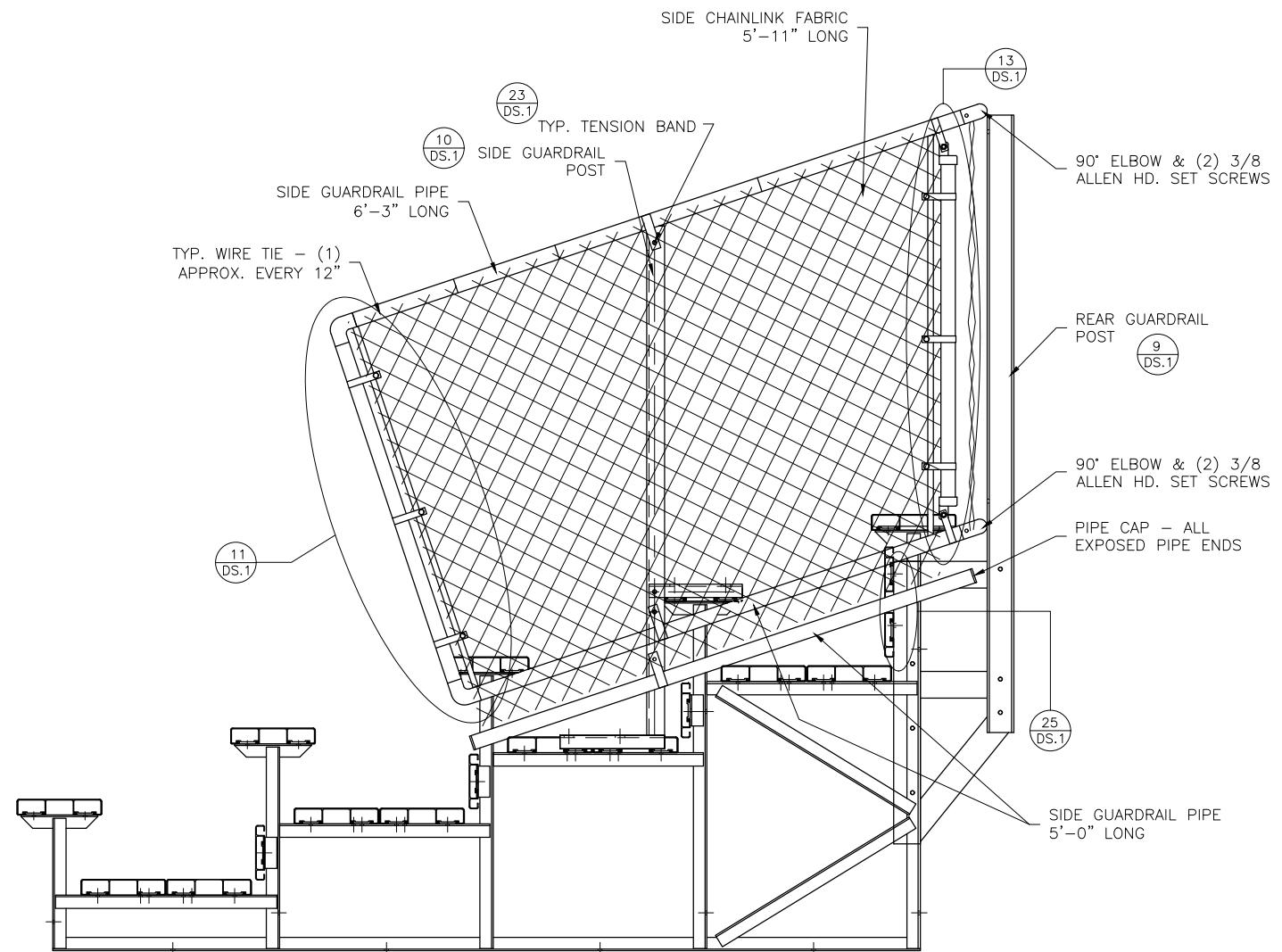
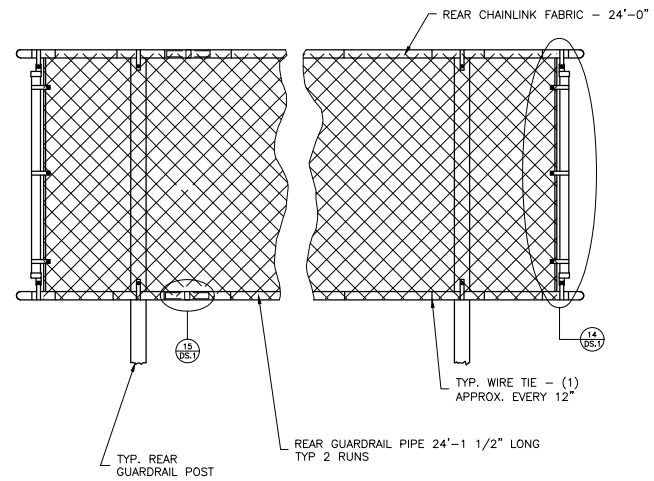


This drawing and all information contained herein is the property of NATIONAL RECREATION SYSTEMS, INC. and is not to be reproduced without express written permission of this manufacturer. We assume no responsibility for unauthorized use of this drawing. National Recreation Systems, Inc. is not responsible for local permits and occupancy requirements.

<b>National Recreation Systems, Inc.</b>		
3100-D AIRPORT NORTH OFFICE PARK FORT WAYNE, IN 46825		
SCALE: N.T.S.	APPROVED BY:	DRAWN BY: JML
DATE: 03/19/15		
TITLE: NON ELEVATED 5 ROW x 24'-0" GUARD RAIL ASSEMBLY		
BLEACHER MODEL #: VERTICAL AISLE	DRAWING NUMBER: VA.1	



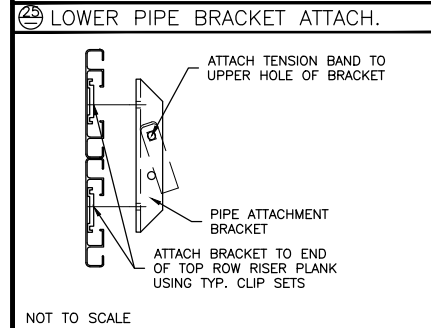
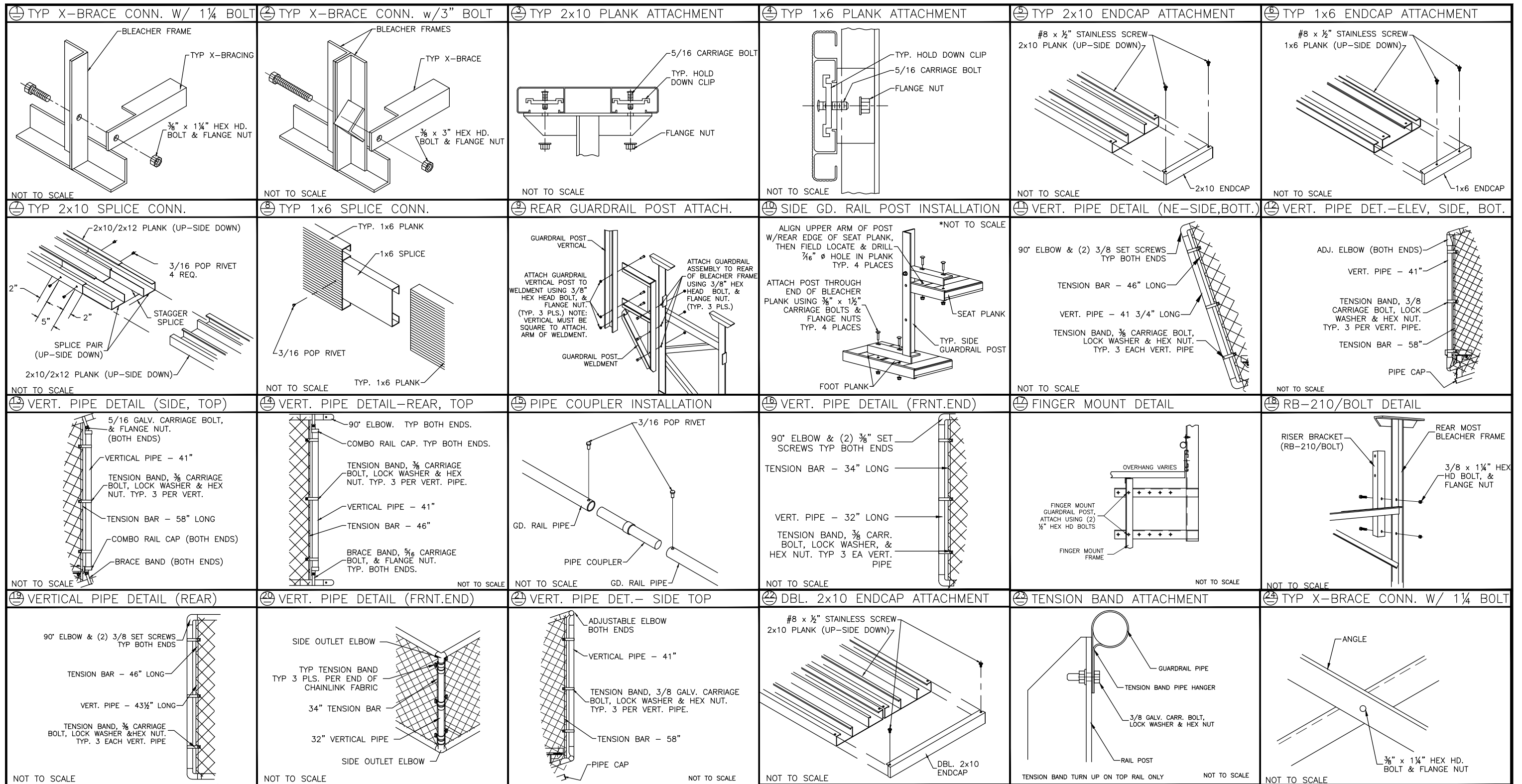
**REAR GUARDRAIL**  
(FRONT VIEW)



This drawing and all information contained herein is the property of NATIONAL RECREATION SYSTEMS, INC. and is not to be reproduced without express written permission of this manufacturer. We assume no responsibility for unauthorized use of this drawing. National Recreation Systems, Inc. is not responsible for local permits and occupancy requirements.

**National Recreation Systems, Inc.**  
3100-D AIRPORT NORTH OFFICE PARK FORT WAYNE, IN 46825

SCALE: N.T.S.	APPROVED BY:	DRAWN BY: JML
DATE: 03/19/15		
TITLE: NON ELEVATED 5 ROW x 24'-0" GUARD RAIL ASSEMBLY		
BLEACHER MODEL #: NA-0524TPDLX_CL	DRAWING NUMBER: GR.1	



This drawing and all information contained herein is the property of NATIONAL RECREATION SYSTEMS, INC. and is not to be reproduced without express written permission of this manufacturer. We assume no responsibility for unauthorized use of this drawing. National Recreation Systems, Inc. is not responsible for local permits and occupancy requirements.

**National Recreation Systems, Inc.**  
**3100-D AIRPORT NORTH OFFICE PARK FORT WAYNE, IN 46825**

SCALE: N.T.S.	APPROVED BY:	DRAWN BY: JML
DATE: 03/15/2015		
TITLE: DETAIL SHEETS		
BLEACHER MODEL #: NA-0524TPDLX_CL	DRAWING NUMBER: DS.1	