

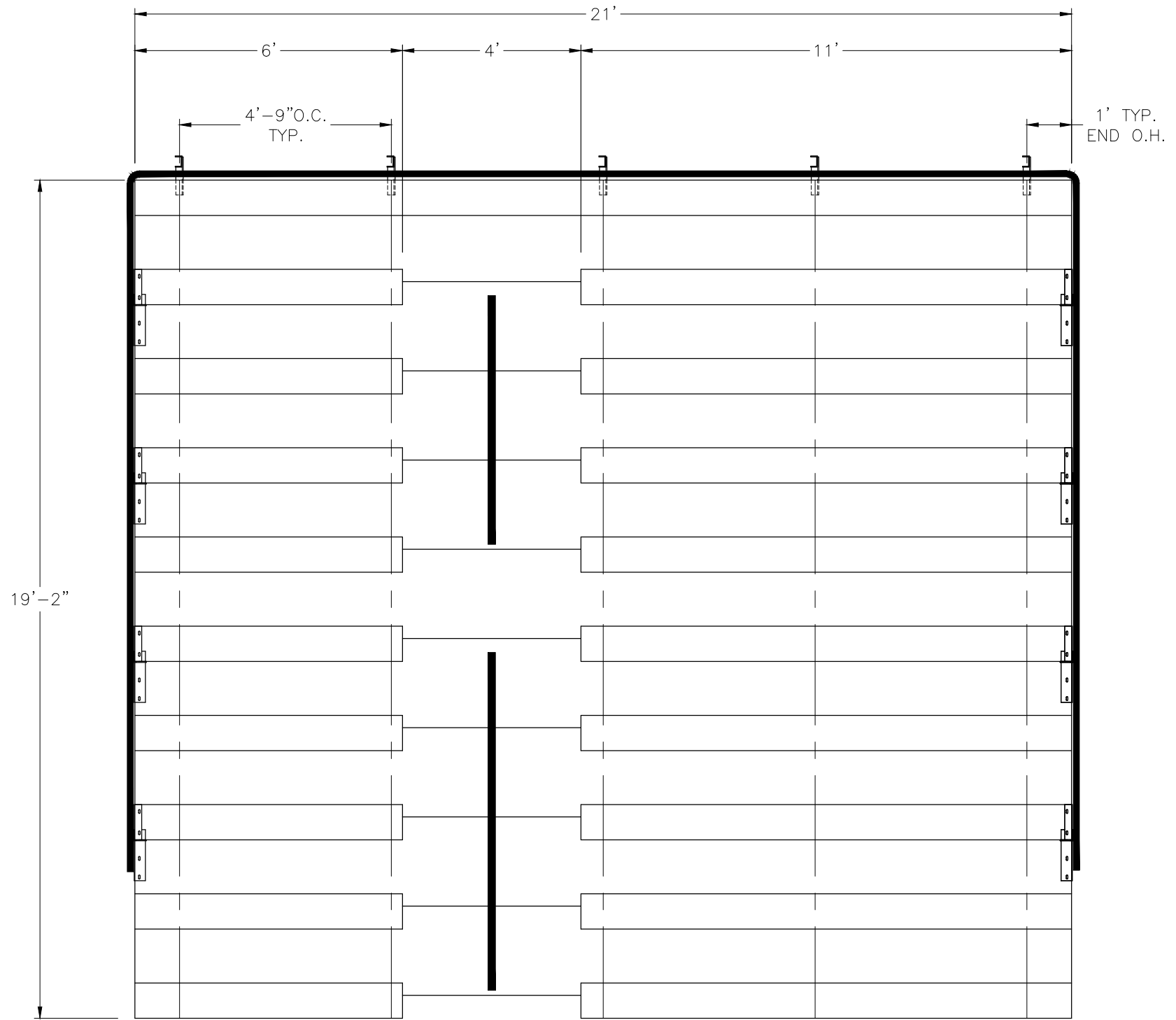
NA-1021TPDLX/CL

NON ELEVATED ALUMINUM 10 ROW x 21'-0" BLEACHER

National Recreation Systems, Inc.

5120 INVESTMENT DRIVE - FORT WAYNE, IN 46808

CS.1	- COVER SHEET
TD.1	- BLEACHER SEATING PLAN
GS.1	- GROUND SILL PLAN
BA.1	- BLEACHER ASSEMBLY
PF.1	- PLANK & FRAMING PLAN
TA.1	- TRANSPORT KIT ASSEMBLY (ROWS 1-5)
TA.2	- TRANSPORT KIT ASSEMBLY (ROWS 6-10)
TA.3	- TRANSPORT KIT ASSEMBLY
VA.1	- VERTICAL AISLE ASSEMBLY
GR.1	- GUARDRAIL ASSEMBLY
DS.1	- DETAIL SHEET



SECTION LENGTH	GROSS SEATS	ACTUAL SEATS	NO. OF ROWS	NET SEATS
21	14.00	14.00	1	14
6	4.00	4.00	9	36
11	7.33	7.00	9	63
NET SEATS				113
WHEELCHAIR SPACES				0
TOTAL NET SEATING CAPACITY (BASED ON 18" PER SEAT)				113

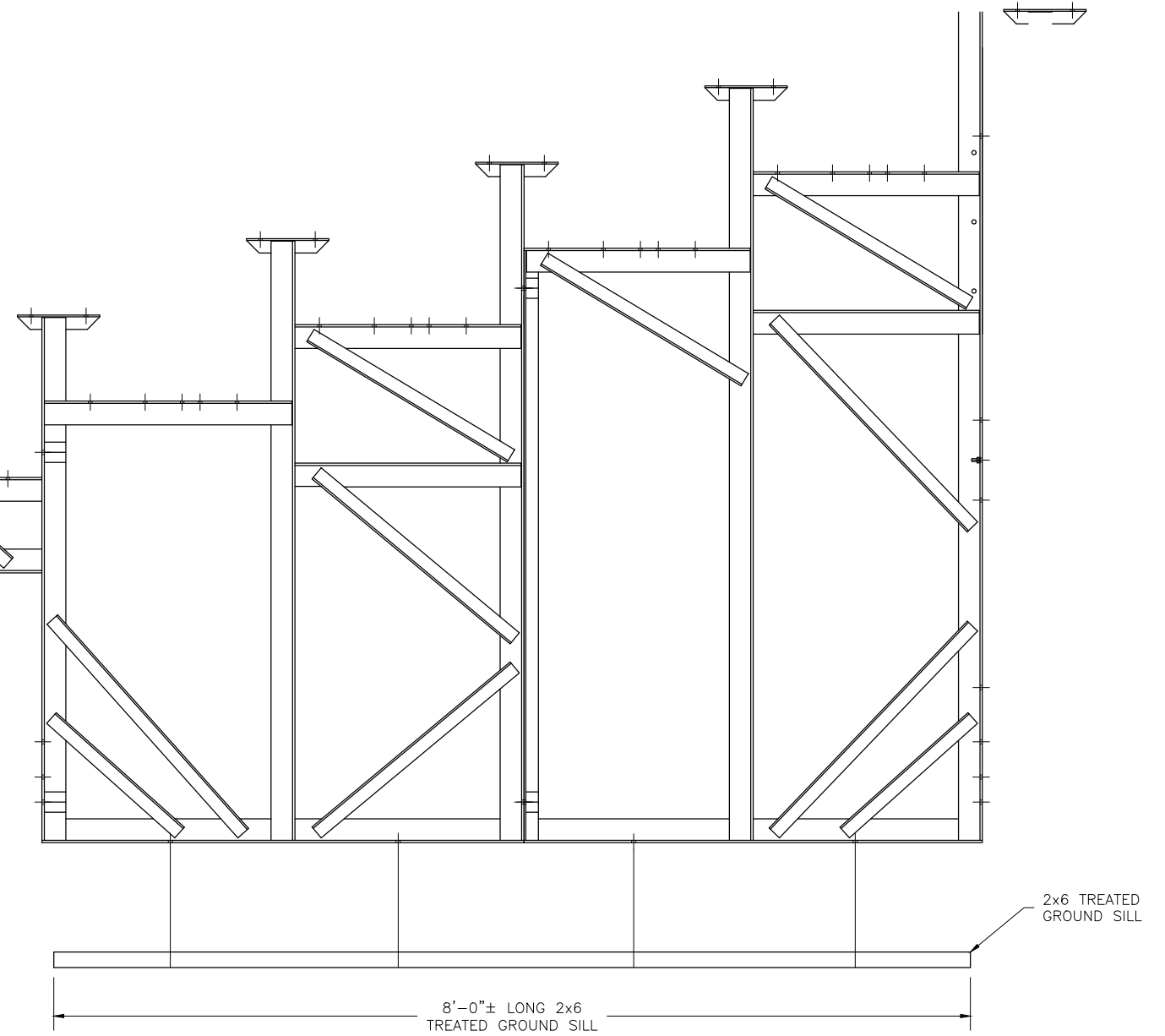
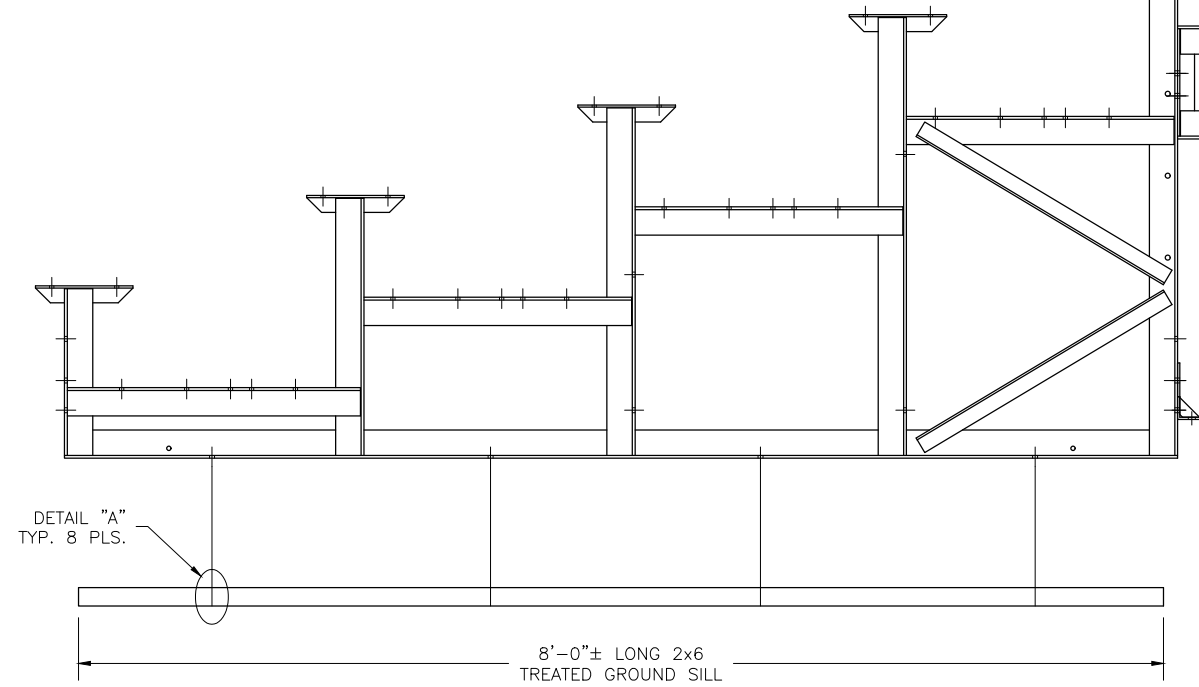
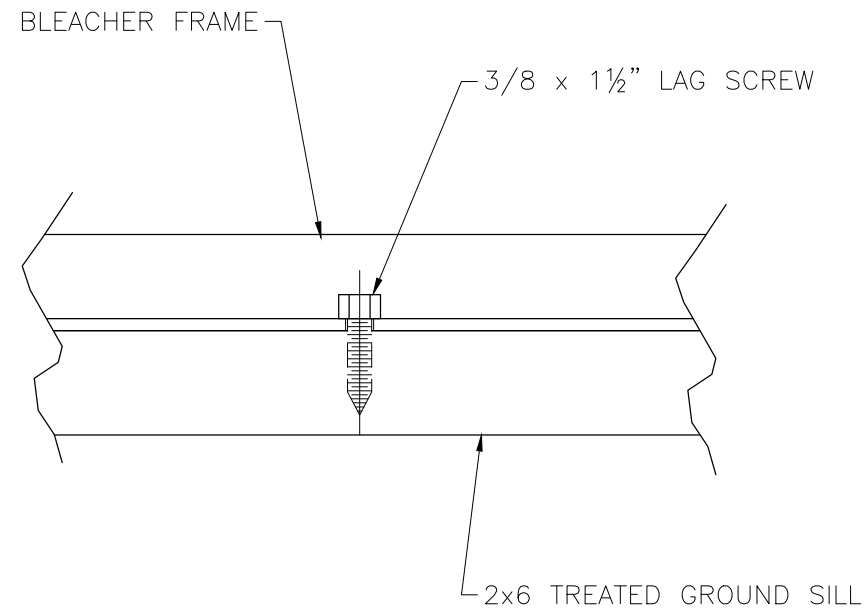
This drawing and all information contained herein is the property of NATIONAL RECREATION SYSTEMS, INC. and is not to be reproduced without express written permission of this manufacturer. We assume no responsibility for unauthorized use of this drawing. National Recreation Systems, Inc. is not responsible for local permits and occupancy requirements.

National Recreation Systems, Inc.

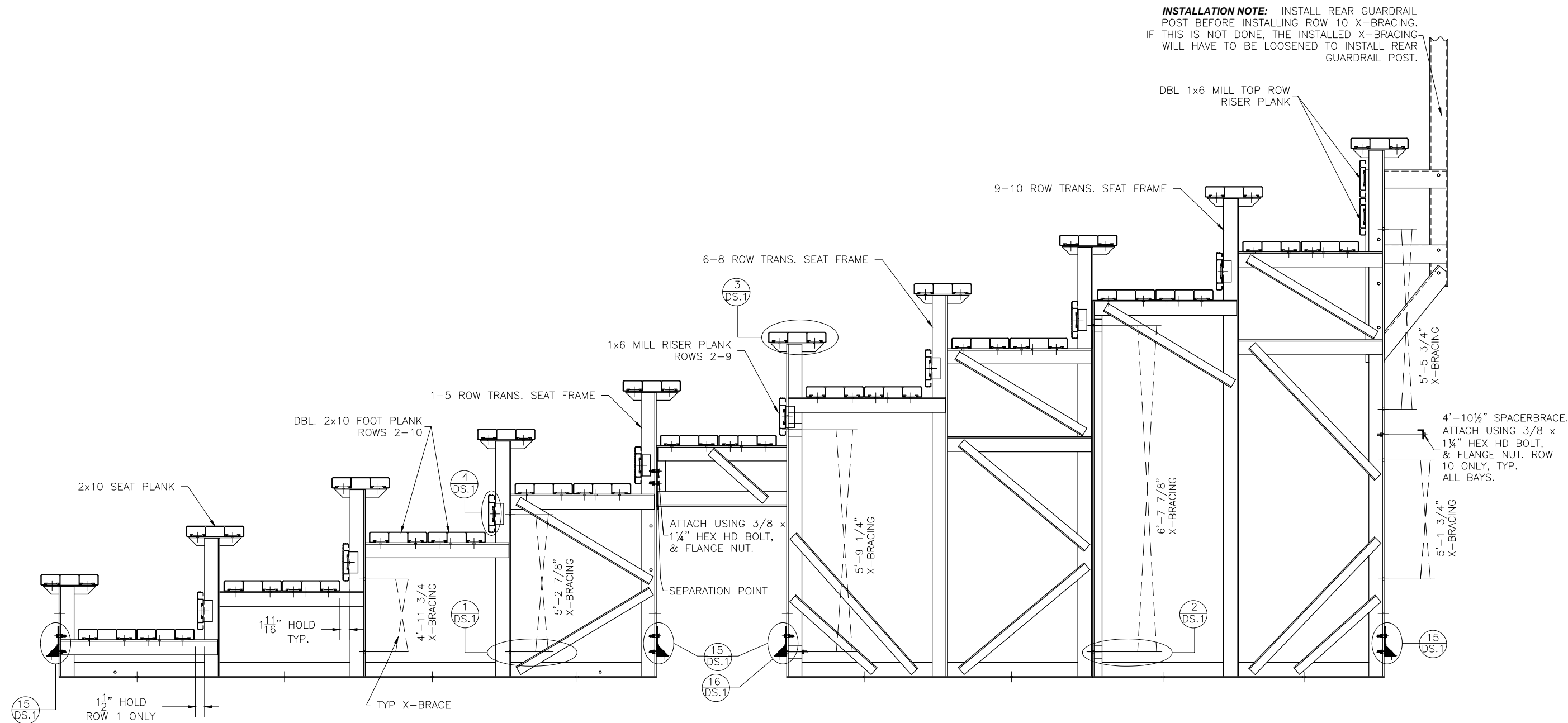
5120 INVESTMENT DRIVE - FORT WAYNE, IN 46808

SCALE: N.T.S.	APPROVED BY: CHUCK 6/8/2016	DRAWN BY: JML
DATE: 8/2/16		
TITLE: NON ELEVATED 10 ROW x 21'-0" BLEACHER SEATING PLAN		
BLEACHER MODEL #: NA-1021TPDLX/CL	DRAWING NUMBER: TD.1	

DETAIL "A"



<p>This drawing and all information contained herein is the property of NATIONAL RECREATION SYSTEMS, INC. and is not to be reproduced without express written permission of this manufacturer. We assume no responsibility for unauthorized use of this drawing. National Recreation Systems, Inc. is not responsible for local permits and occupancy requirements.</p>			<p>National Recreation Systems, Inc. 5120 INVESTMENT DRIVE - FORT WAYNE, IN 46808</p>	
			SCALE: N.T.S.	APPROVED BY: CHUCK 6/8/2016
DATE: 8/2/16		TITLE: NON ELEVATED 1- ROW x 21'-0" ANCHORING ASSEMBLY		
BLEACHER MODEL #: NA-1021TPDLX/CL			DRAWING NUMBER: BA.1	



INSTALLATION NOTE: INSTALL REAR GUARDRAIL POST BEFORE INSTALLING ROW 10 X-BRACING. IF THIS IS NOT DONE, THE INSTALLED X-BRACING WILL HAVE TO BE LOOSENEED TO INSTALL REAR GUARDRAIL POST.

This drawing and all information contained herein is the property of NATIONAL RECREATION SYSTEMS, INC. and is not to be reproduced without express written permission of this manufacturer. We assume no responsibility for unauthorized use of this drawing. National Recreation Systems, Inc. is not responsible for local permits and occupancy requirements.

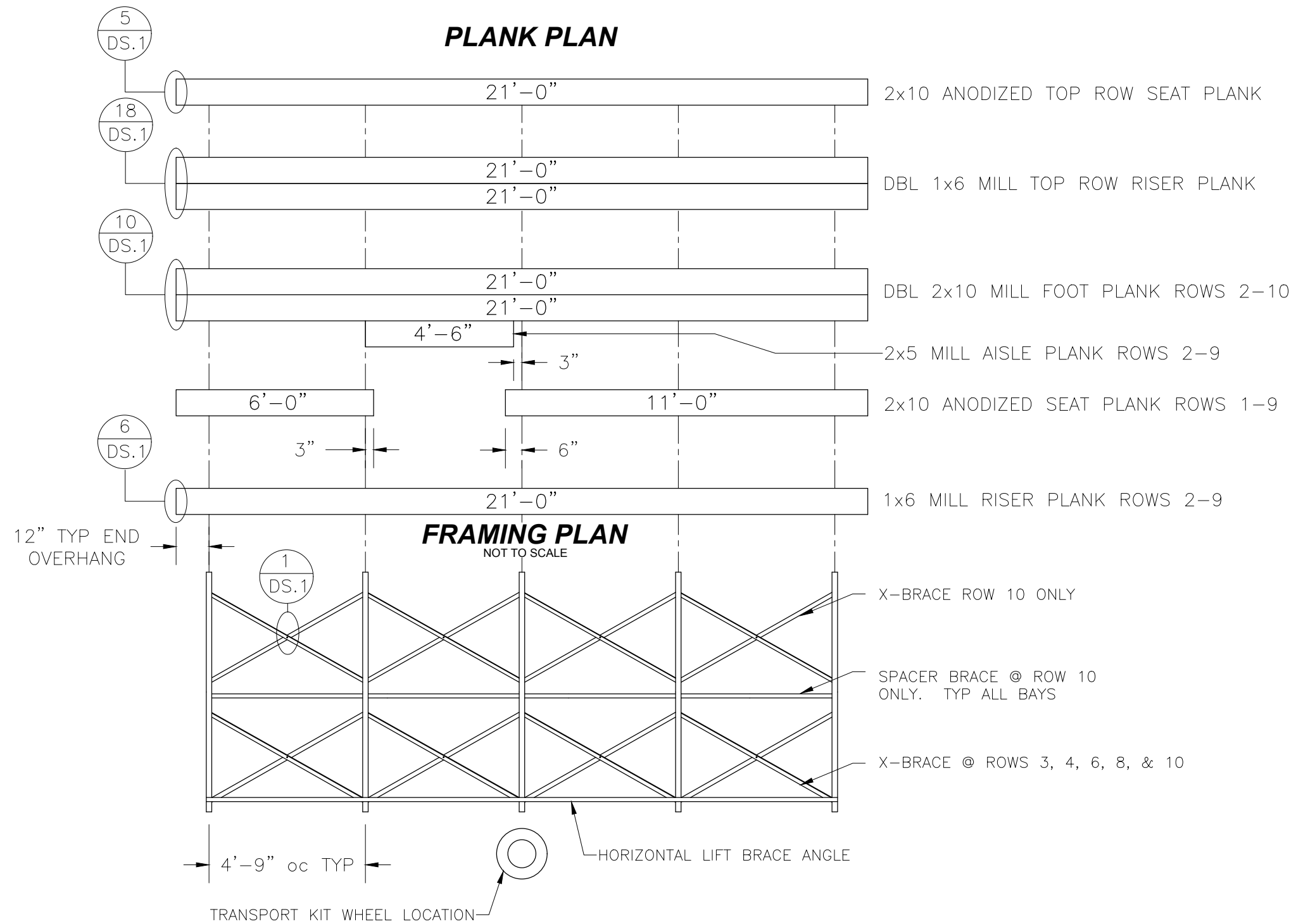
National Recreation Systems, Inc.

5120 INVESTMENT DRIVE - FORT WAYNE, IN 46808

SCALE: N.T.S.	APPROVED BY: CHUCK 6/8/2016	DRAWN BY: JML
DATE: 8/2/16		

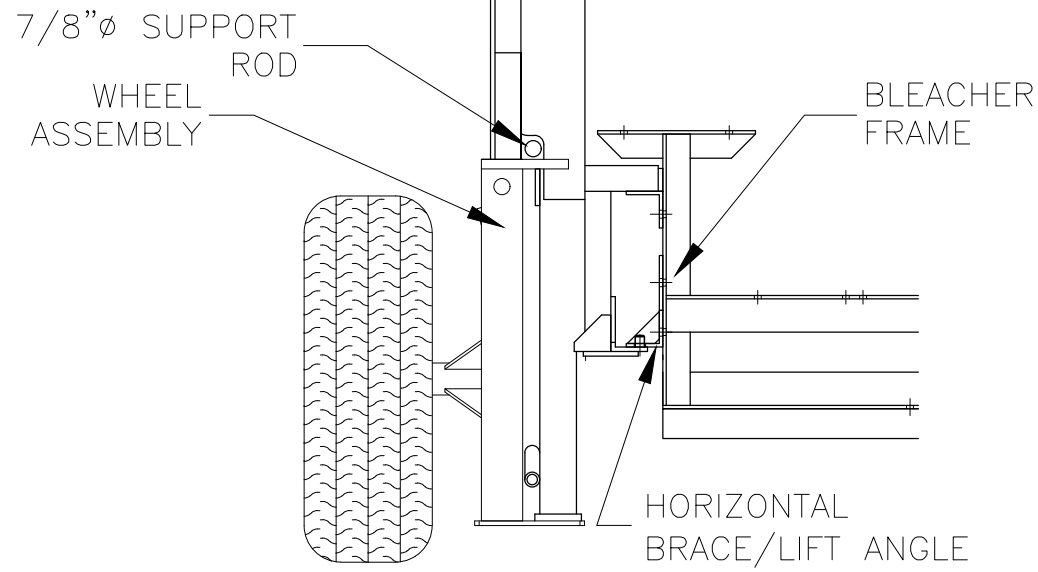
TITLE: NON ELEVATED 10 ROW x 21'-0" BLEACHER ASSEMBLY

BLEACHER MODEL #: NA-1021TPDLX/CL	DRAWING NUMBER: BA.1
-----------------------------------	----------------------

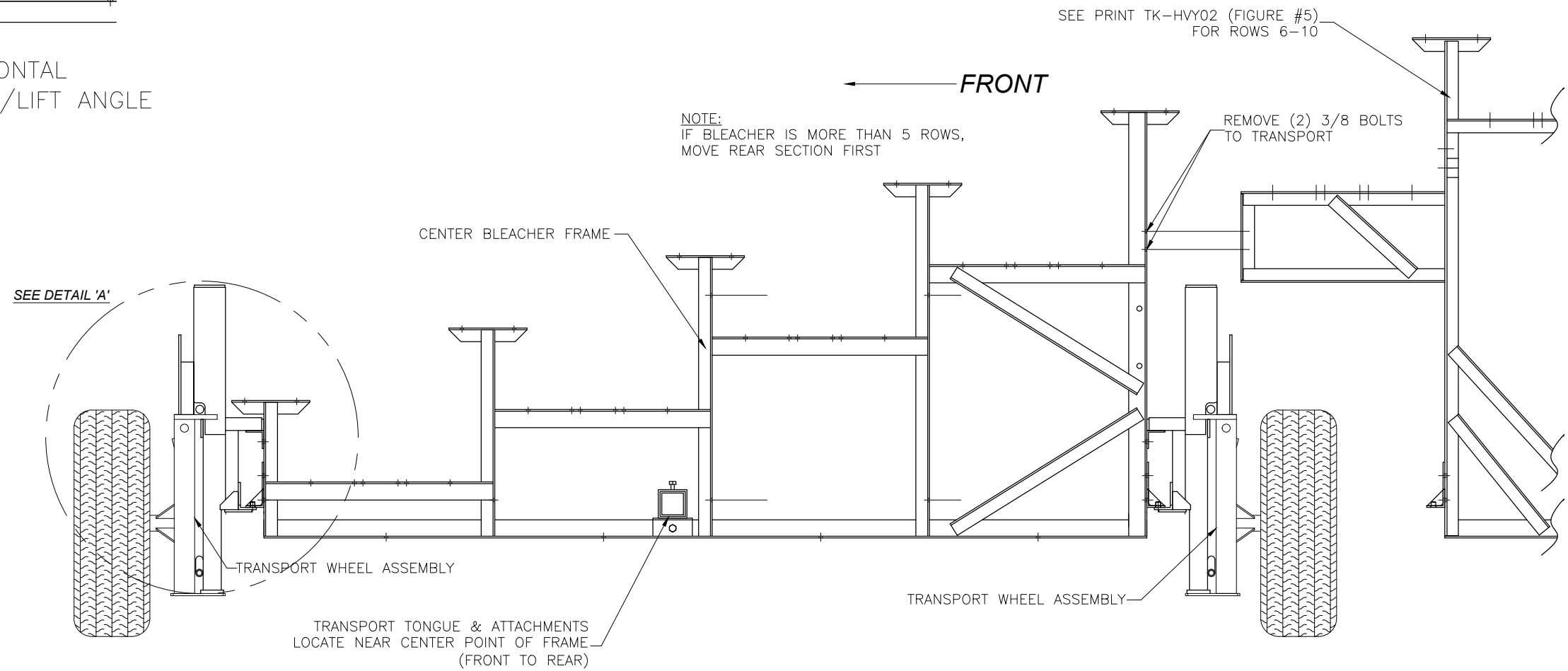


This drawing and all information contained herein is the property of NATIONAL RECREATION SYSTEMS, INC. and is not to be reproduced without express written permission of this manufacturer. We assume no responsibility for unauthorized use of this drawing. National Recreation Systems, Inc. is not responsible for local permits and occupancy requirements.			National Recreation Systems, Inc.	
			5120 INVESTMENT DRIVE - FORT WAYNE, IN 46808	
SCALE: N.T.S.	APPROVED BY: CHUCK 6/8/2016	DRAWN BY: JML		
DATE: 8/2/16				
TITLE: NON ELEVATED 10 ROW x 21'-0" PLANK & FRAMING PLAN				
BLEACHER MODEL #: NA-1021TPDLX/CL			DRAWING NUMBER: PF.1	

DETAIL 'A'



ROWS 1-5

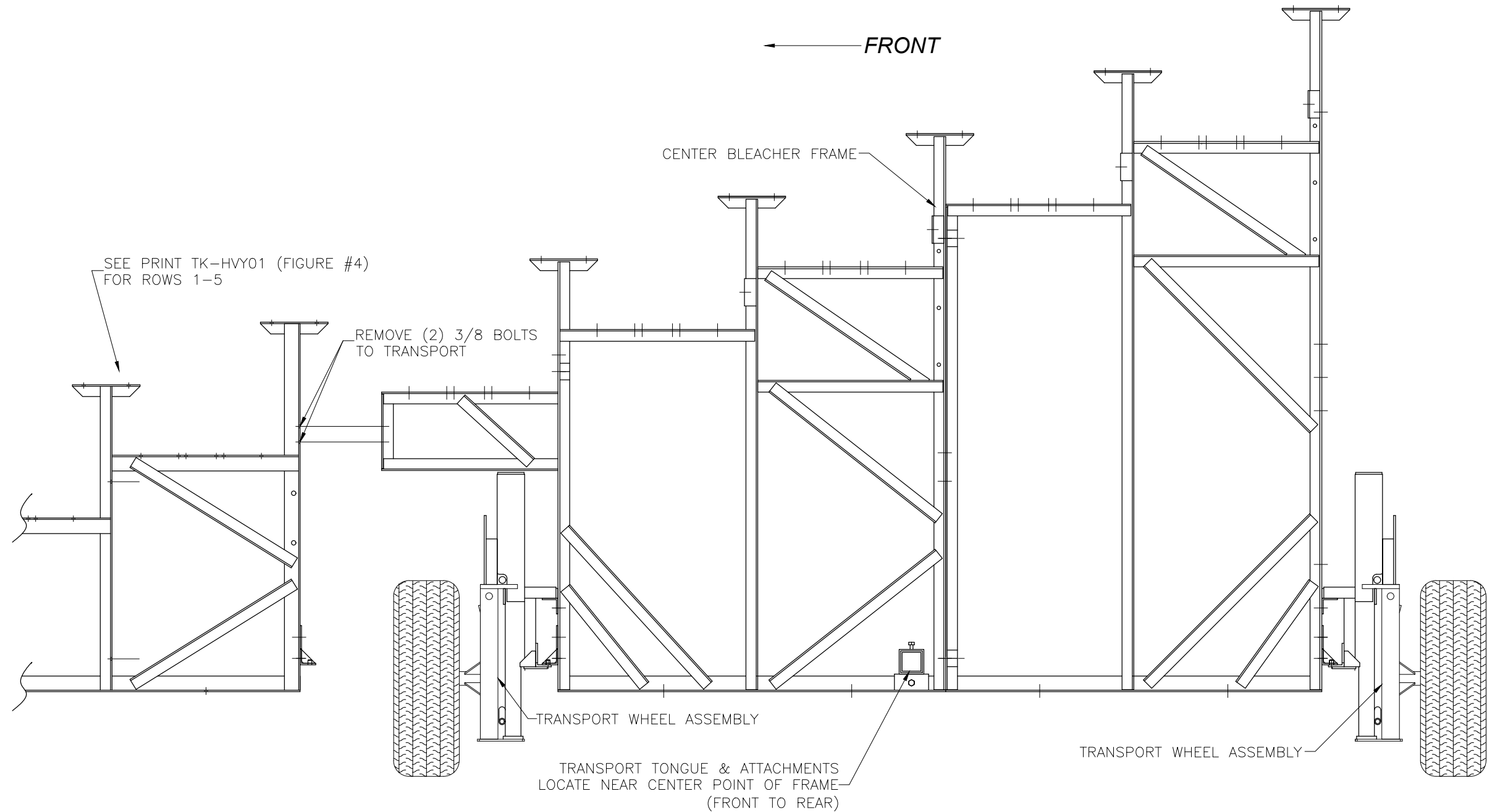


This drawing and all information contained herein is the property of NATIONAL RECREATION SYSTEMS, INC. and is not to be reproduced without express written permission of this manufacturer. We assume no responsibility for unauthorized use of this drawing. National Recreation Systems, Inc. is not responsible for local permits and occupancy requirements.

National Recreation Systems, Inc.
5120 INVESTMENT DRIVE - FORT WAYNE, IN 46808

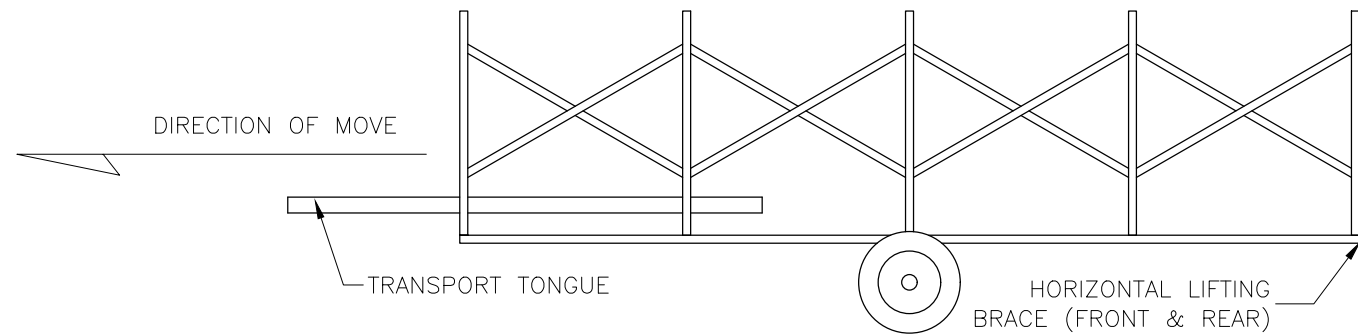
SCALE: N.T.S.	APPROVED BY: CHUCK 6/8/2016	DRAWN BY: JML
DATE: 8/2/16		
TITLE: TRANSPORT KIT ASSEMBLY (ROWS 1-5)		
BLEACHER MODEL #: NA-1021TPDLX/CL	DRAWING NUMBER: TK.1	

ROWS 6-10

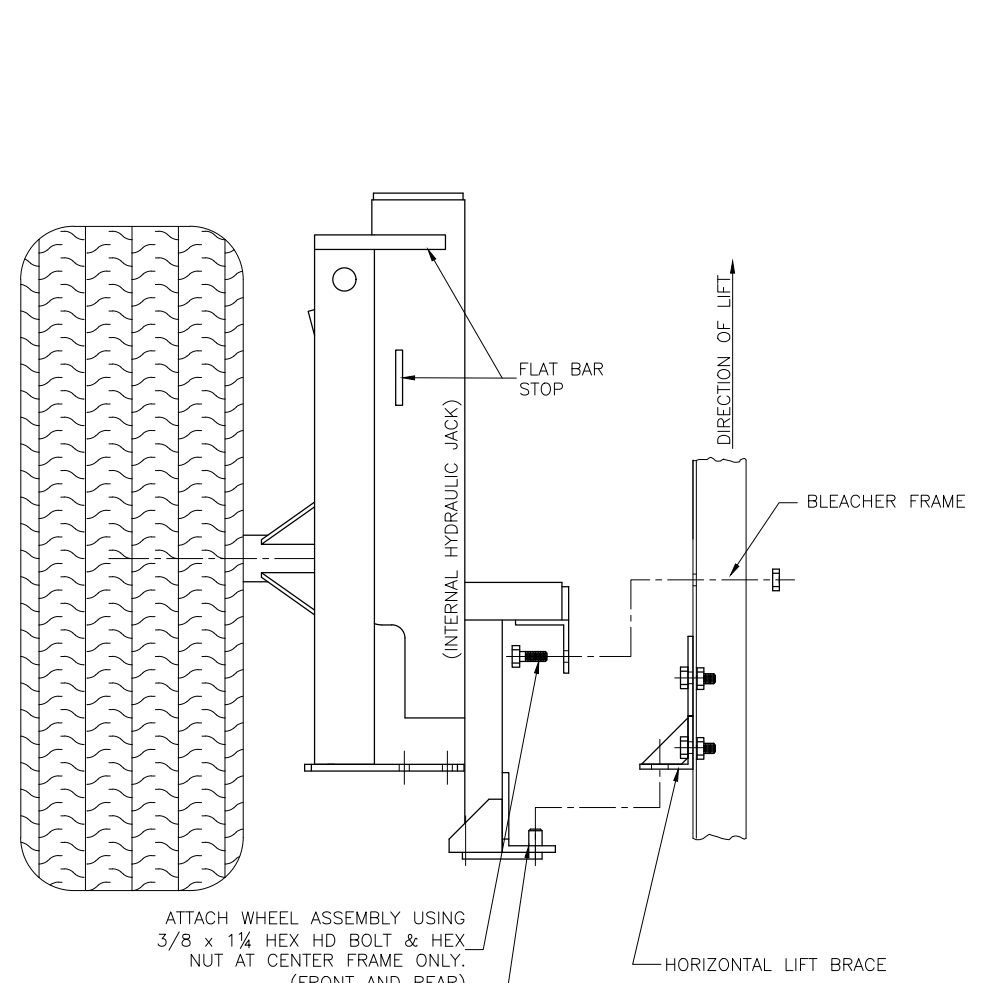
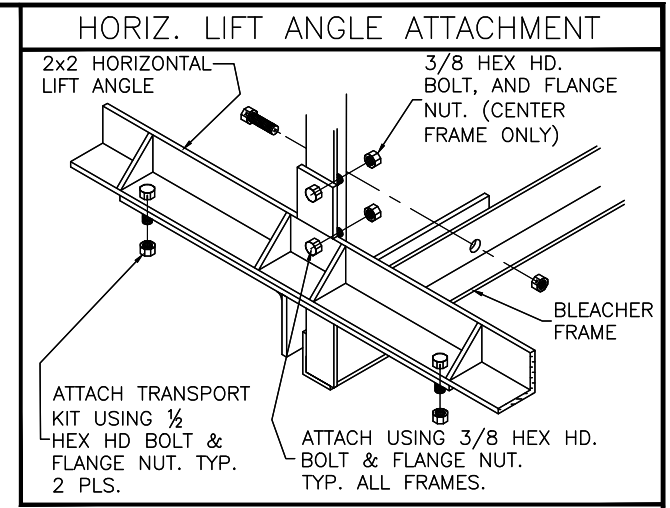


<p>This drawing and all information contained herein is the property of NATIONAL RECREATION SYSTEMS, INC. and is not to be reproduced without express written permission of this manufacturer. We assume no responsibility for unauthorized use of this drawing. National Recreation Systems, Inc. is not responsible for local permits and occupancy requirements.</p>			<p>National Recreation Systems, Inc. 5120 INVESTMENT DRIVE - FORT WAYNE, IN 46808</p>			
SCALE:	N.T.S.	APPROVED BY:	CHUCK 6/8/2016		DRAWN BY:	JML
DATE:	8/2/16					
TITLE:	TRANSPORT KIT ASSEMBLY (ROWS 6-10)					
BLEACHER MODEL #:	NA-1021TPDLX/CL			DRAWING NUMBER:		TK.2

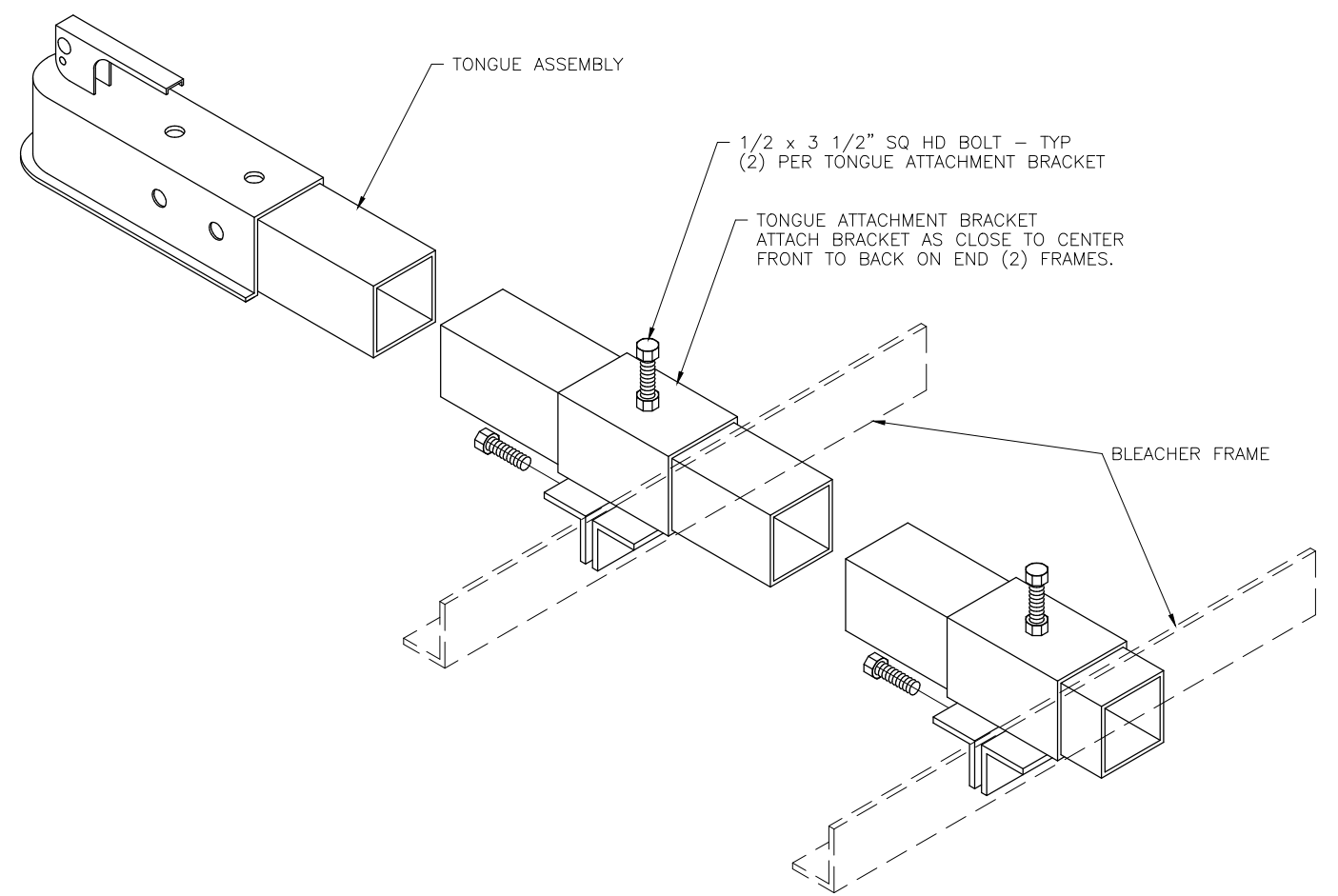
WHEEL LOCATION



(FIGURE #2)

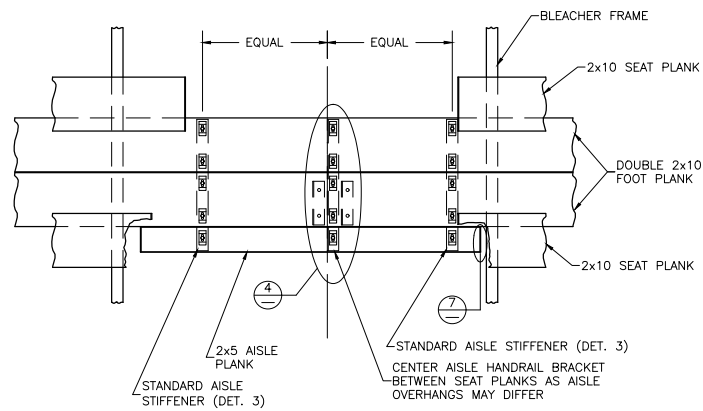


(FIGURE #3)

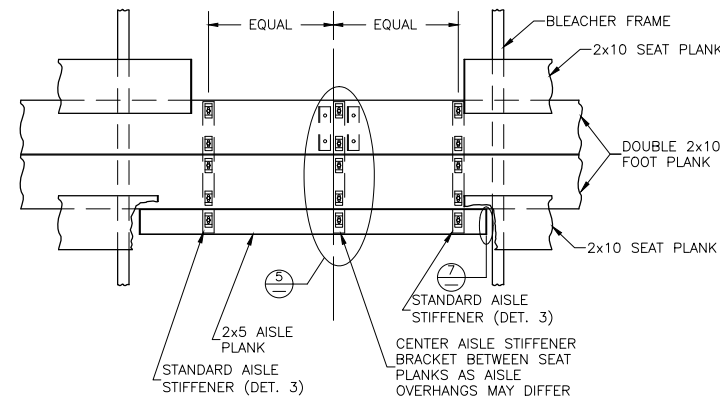


This drawing and all information contained herein is the property of NATIONAL RECREATION SYSTEMS, INC. and is not to be reproduced without express written permission of this manufacturer. We assume no responsibility for unauthorized use of this drawing. National Recreation Systems, Inc. is not responsible for local permits and occupancy requirements.		
National Recreation Systems, Inc. 5120 INVESTMENT DRIVE - FORT WAYNE, IN 46808		
SCALE: N.T.S.	APPROVED BY: CHUCK 6/8/2016	DRAWN BY: JML
DATE: 8/2/16		
TITLE: TRANSPORT KIT ASSEMBLY		
BLEACHER MODEL #: NA-1021TPDLX/CL	DRAWING NUMBER: TK.3	

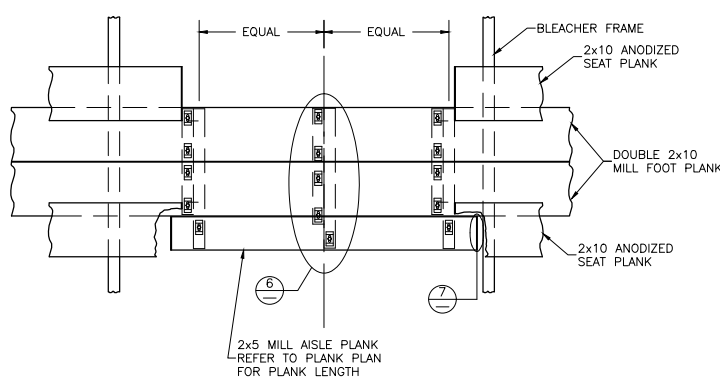
ROWS 2,7 STEP PLAN



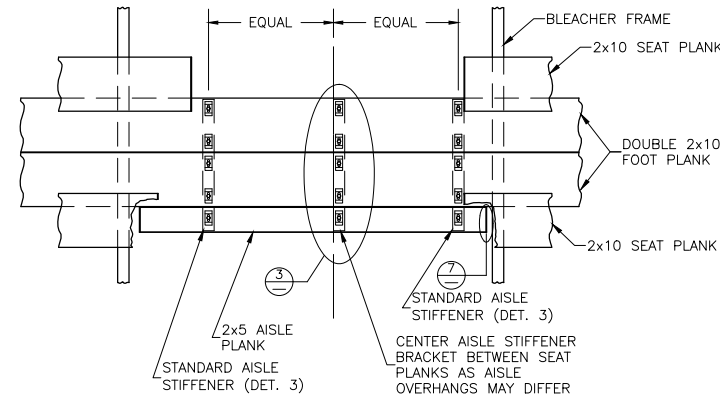
ROWS 5,9 STEP PLAN



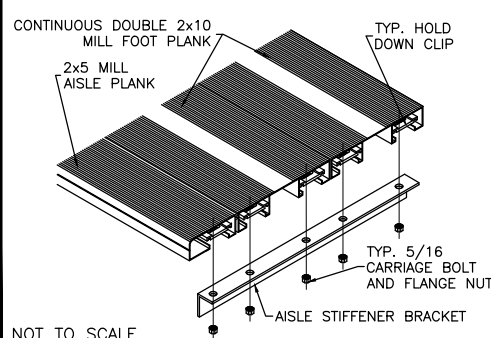
ROW 6 AISLE STEP PLAN



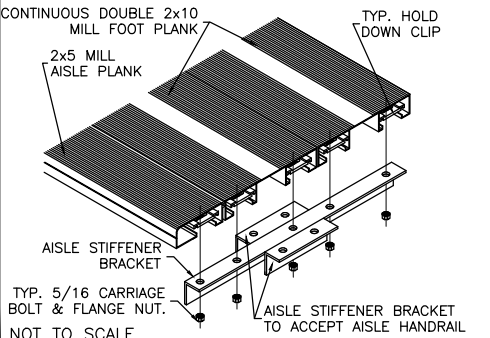
ROWS 3,4,8,10 STEP PLAN



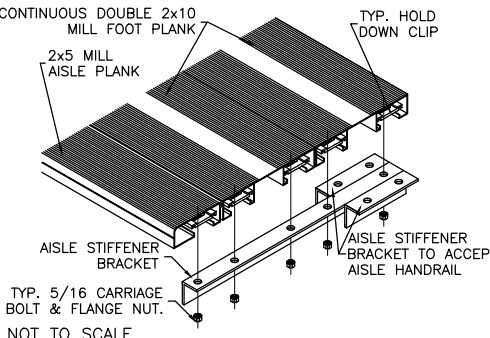
TYP. AISLE BKT DETAIL



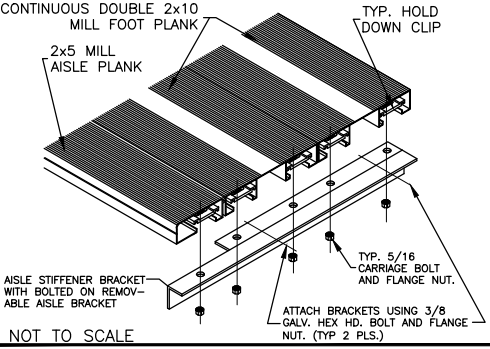
FRONT AISLE H.R. BRACKET DETAIL



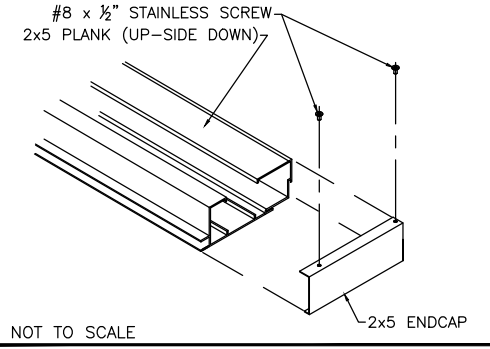
REAR AISLE H.R. BRACKET DETAIL



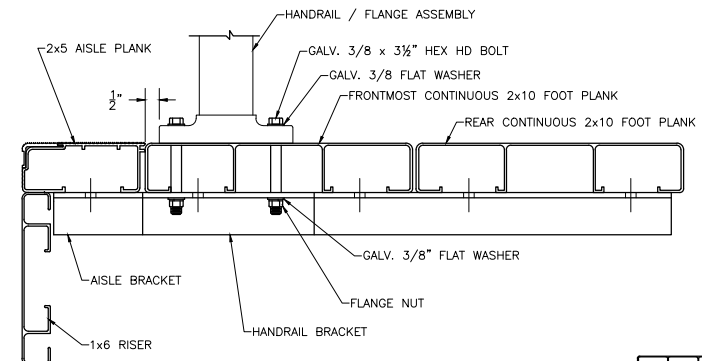
TYP. AISLE HANDRAIL BKT DETAIL



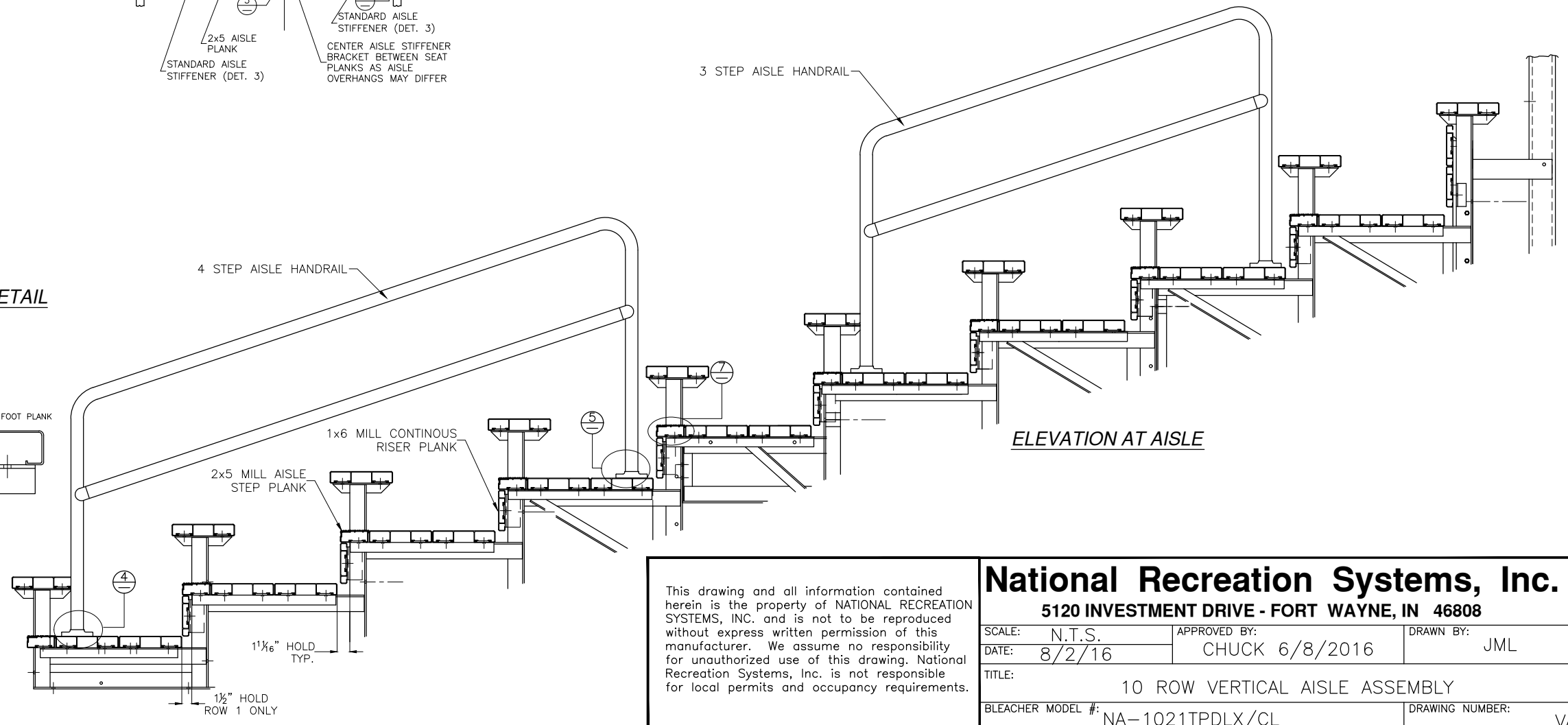
TYP 2x5 ENDCAP ATTACHMENT



TYP AISLE HANDRAIL FLANGE ATTACHMENT DETAIL



ALIGN EDGE OF FLANGE APPROX. 1/2" FROM THE LEADING EDGE OF THE FRONTMOST CONTINUOUS 2x10 FOOT PLANK (NOT THE 2x5 AISLE STEP PLANK). SLIGHTLY ADJUST FLANGE LOCATION, IF NECESSARY, SO THAT THE BOLT HOLE IS NOT DRILLED INTO A VERTICAL LEG OF THE PLANK. DRILL Ø7/16" HOLES (FOR 3/8" BOLT). ASSEMBLE AS SHOWN USING GALVANIZED BOLTS, FLAT WASHERS, AND FLANGE NUTS.



ELEVATION AT AISLE

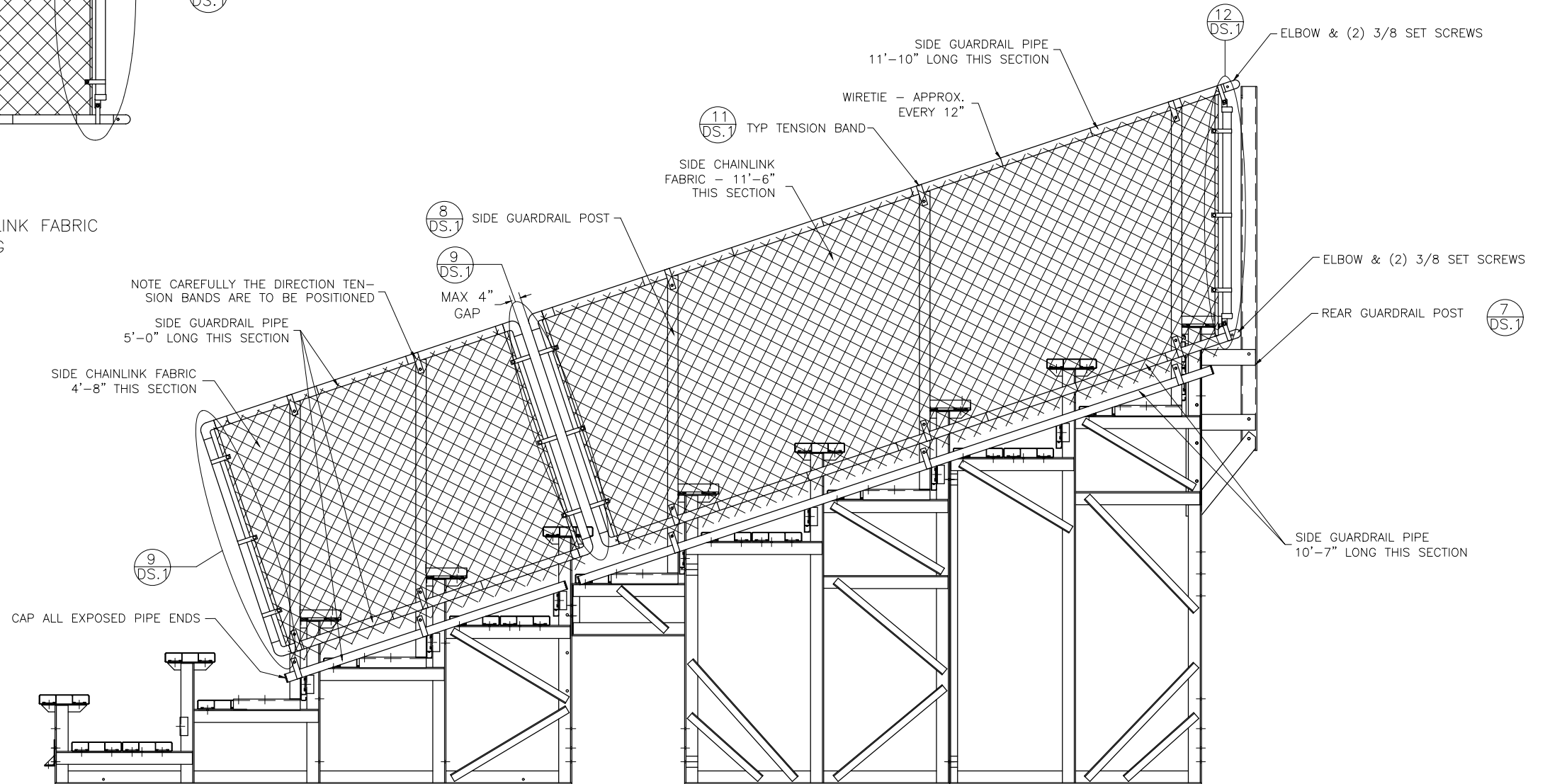
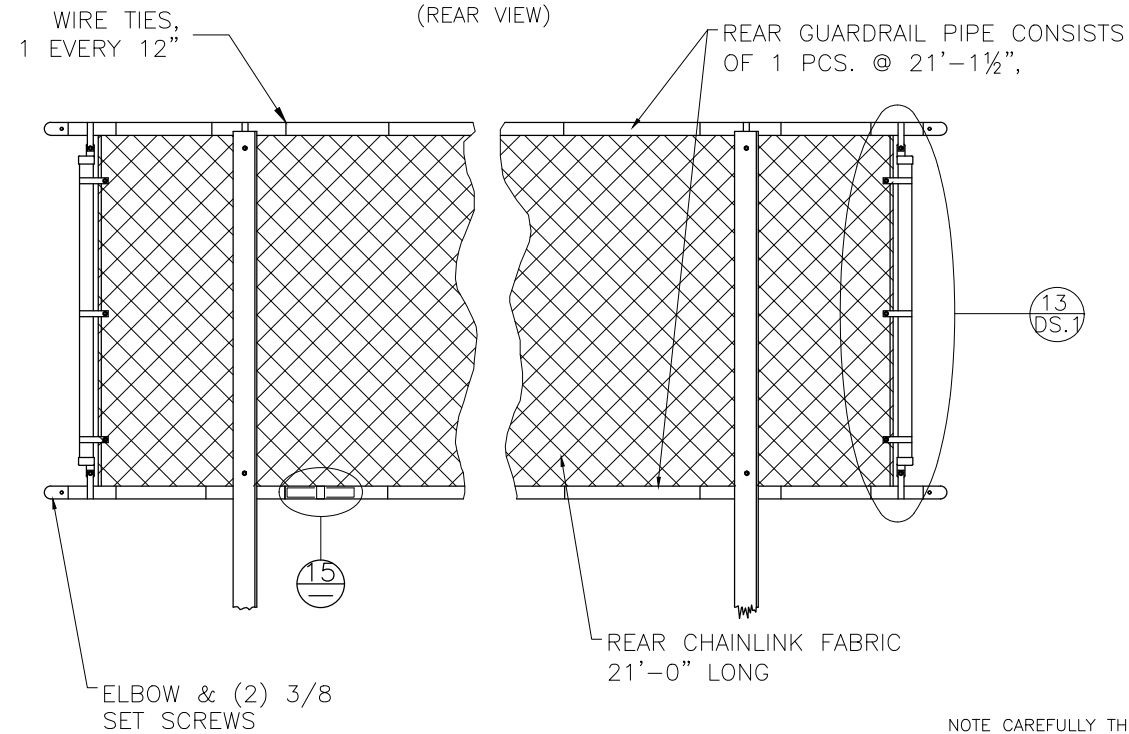
This drawing and all information contained herein is the property of NATIONAL RECREATION SYSTEMS, INC. and is not to be reproduced without express written permission of this manufacturer. We assume no responsibility for unauthorized use of this drawing. National Recreation Systems, Inc. is not responsible for local permits and occupancy requirements.

National Recreation Systems, Inc.
 5120 INVESTMENT DRIVE - FORT WAYNE, IN 46808

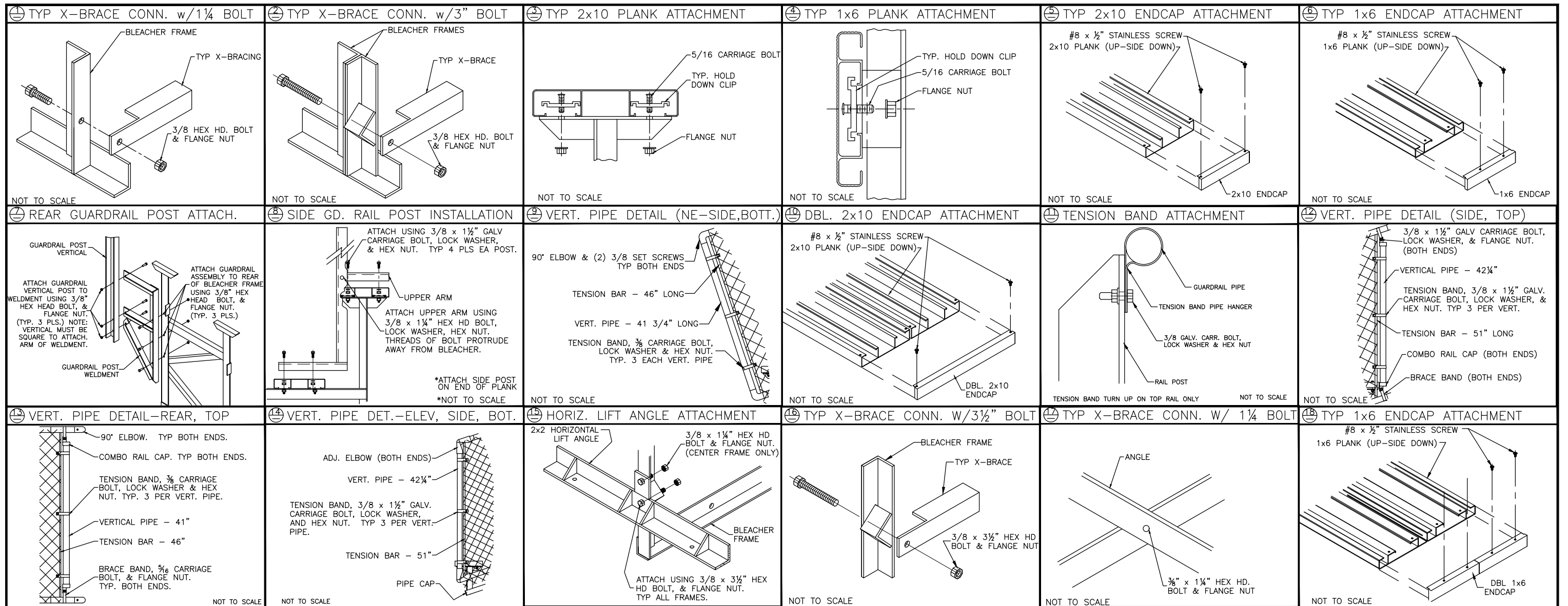
SCALE: N.T.S.	APPROVED BY: CHUCK 6/8/2016	DRAWN BY: JML
DATE: 8/2/16		
TITLE: 10 ROW VERTICAL AISLE ASSEMBLY		
BLEACHER MODEL #: NA-1021PDLX/CL	DRAWING NUMBER: VA.1	

REAR GUARDRAIL

(REAR VIEW)



<p>This drawing and all information contained herein is the property of NATIONAL RECREATION SYSTEMS, INC. and is not to be reproduced without express written permission of this manufacturer. We assume no responsibility for unauthorized use of this drawing. National Recreation Systems, Inc. is not responsible for local permits and occupancy requirements.</p>			<p>National Recreation Systems, Inc. 5120 INVESTMENT DRIVE - FORT WAYNE, IN 46808</p>		
SCALE: N.T.S.	APPROVED BY: CHUCK	DRAWN BY: JML			
DATE: 8/2/16	6/8/2016				
TITLE: NON ELEVATED 10 ROW x 21'-0" GUARD RAIL ASSEMBLY					
BLEACHER MODEL #: NA-1021TPDLX/CL		DRAWING NUMBER: GR.1			



<p>This drawing and all information contained herein is the property of NATIONAL RECREATION SYSTEMS, INC. and is not to be reproduced without express written permission of this manufacturer. We assume no responsibility for unauthorized use of this drawing. National Recreation Systems, Inc. is not responsible for local permits and occupancy requirements.</p>			<p>National Recreation Systems, Inc.</p>		
<p>5120 INVESTMENT DRIVE - FORT WAYNE, IN 46808</p>					
SCALE: N.T.S.	APPROVED BY:	DRAWN BY:			
DATE: 8/2/16	CHUCK 6/8/2016	JML			
TITLE:			DETAIL SHEETS		
BLEACHER MODEL #:			NA-1021PDLX/CL		DRAWING NUMBER: DS.1