

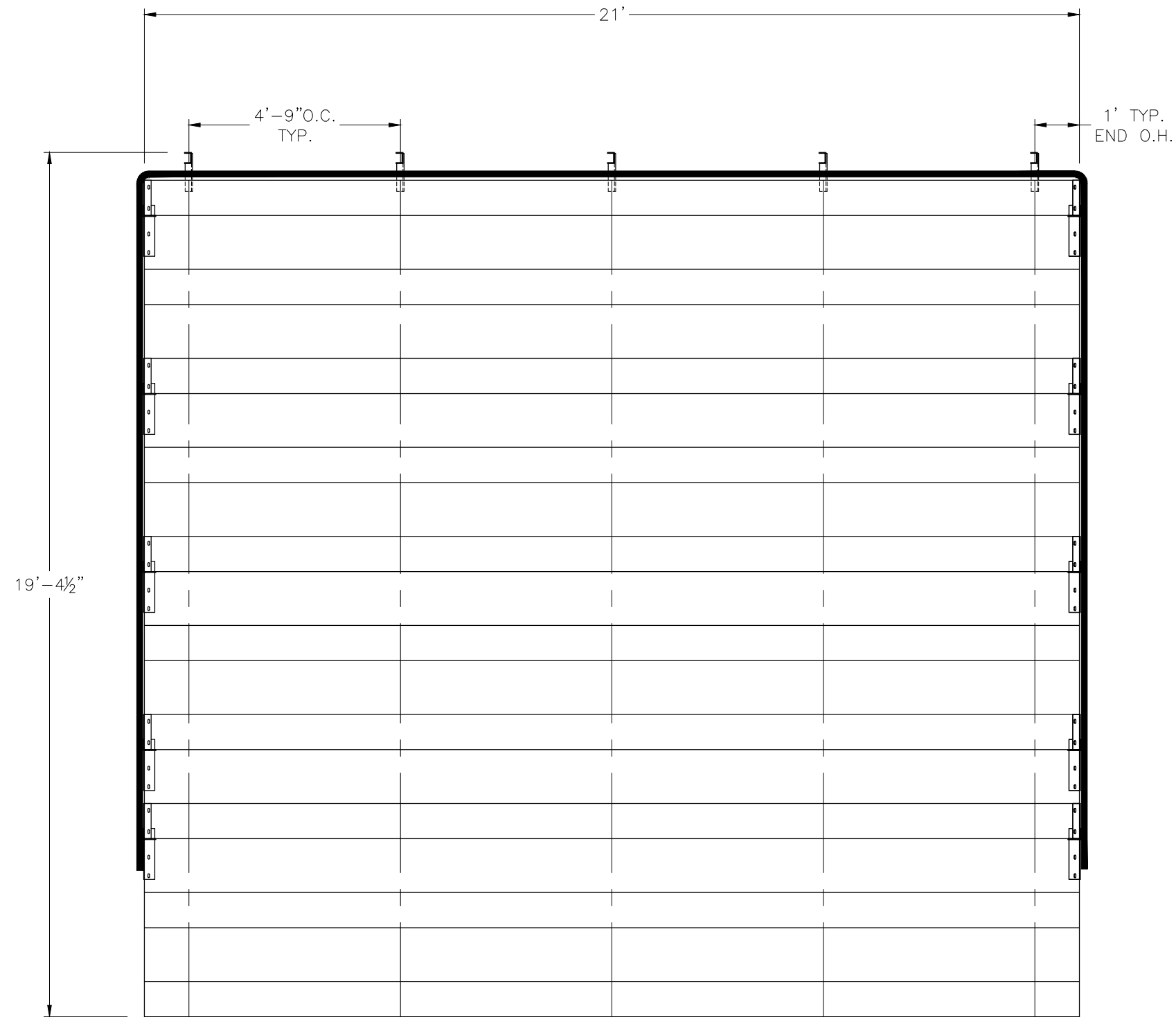
NA-1021TPSTD/CL

NON ELEVATED ALUMINUM 10 ROW x 21'-0" BLEACHER

National Recreation Systems, Inc.

5120 INVESTMENT DRIVE - FORT WAYNE, IN 46808

CS.1	- COVER SHEET
TD.1	- BLEACHER SEATING PLAN
GS.1	- GROUND SILL PLAN
BA.1	- BLEACHER ASSEMBLY
PF.1	- PLANK & FRAMING PLAN
TA.1	- TRANSPORT KIT ASSEMBLY (ROWS 1-5)
TA.2	- TRANSPORT KIT ASSEMBLY (ROWS 6-10)
TA.3	- TRANSPORT KIT ASSEMBLY
GR.1	- GUARDRAIL ASSEMBLY
DS.1	- DETAIL SHEET



SECTION LENGTH	GROSS SEATS	ACTUAL SEATS	NO. OF ROWS	NET SEATS
21	14.00	14.00	10	140
			NET SEATS	140
			WHEELCHAIR SPACES	0
			TOTAL NET SEATING CAPACITY	140
			(BASED ON 18" PER SEAT)	

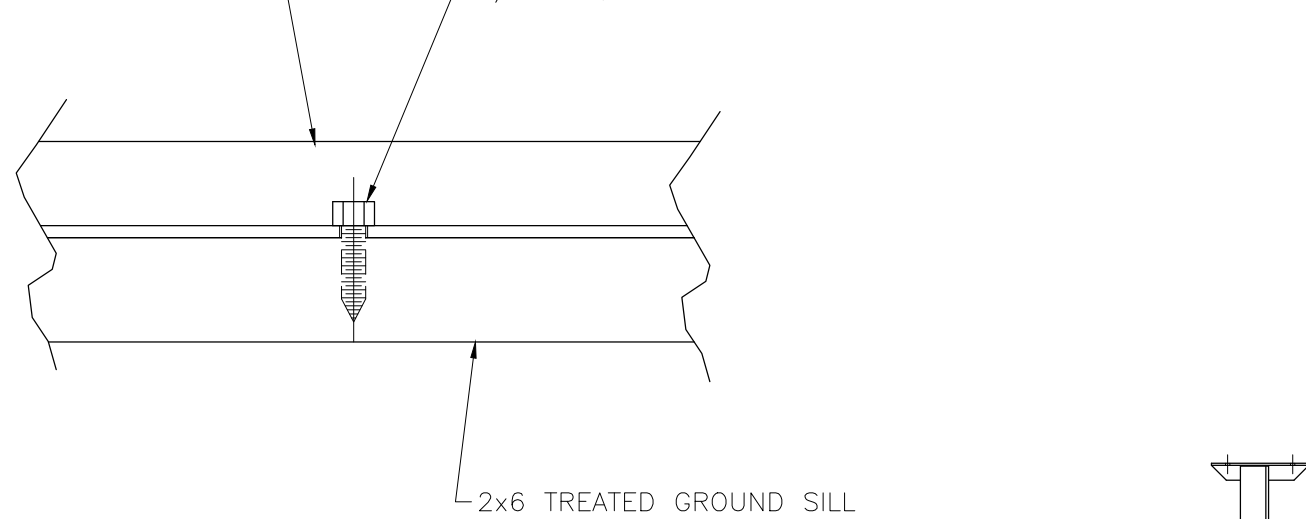
This drawing and all information contained herein is the property of NATIONAL RECREATION SYSTEMS, INC. and is not to be reproduced without express written permission of this manufacturer. We assume no responsibility for unauthorized use of this drawing. National Recreation Systems, Inc. is not responsible for local permits and occupancy requirements.

National Recreation Systems, Inc.
5120 INVESTMENT DRIVE - FORT WAYNE, IN 46808

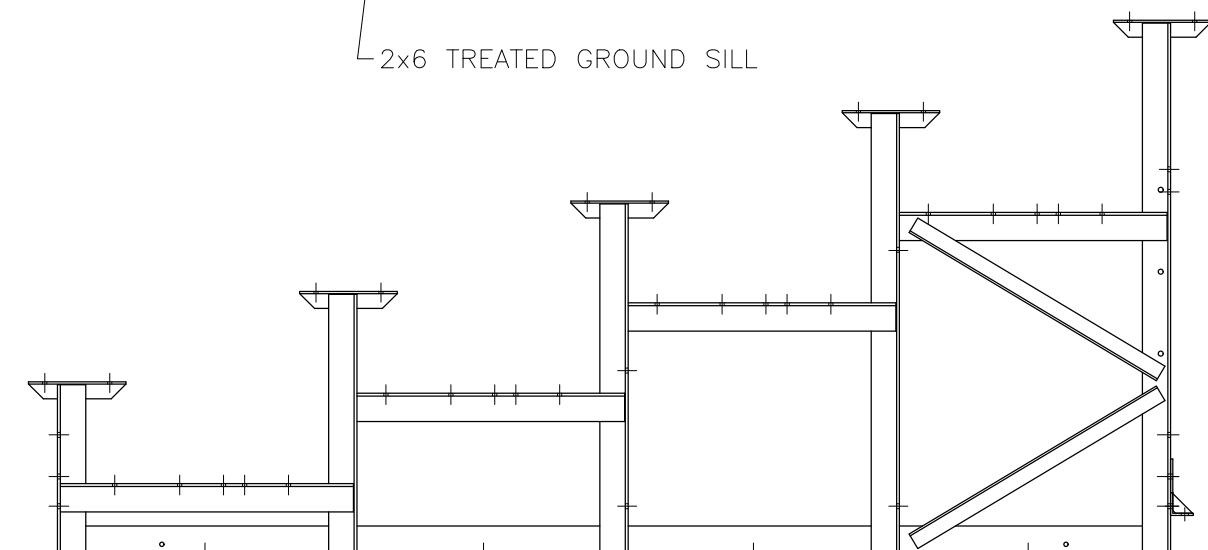
SCALE: N.T.S.	APPROVED BY:	DRAWN BY: JML
DATE: 3/11/16		
TITLE: NON ELEVATED 10 ROW x 21'-0" BLEACHER SEATING PLAN		
BLEACHER MODEL #: NA-1021TPSTD/CL	DRAWING NUMBER: TD.1	

DETAIL "A"

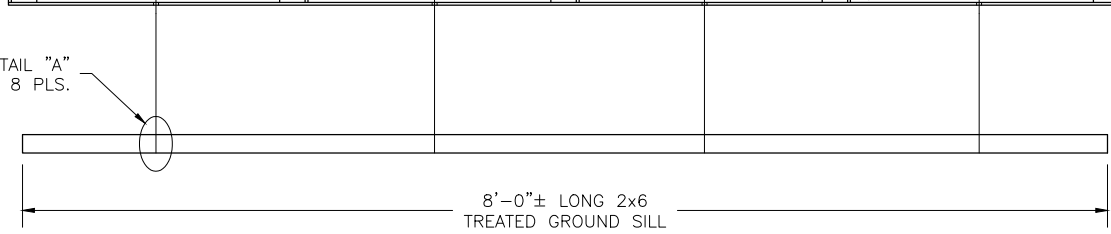
BLEACHER FRAME
 3/8 x 1 1/2" LAG SCREW



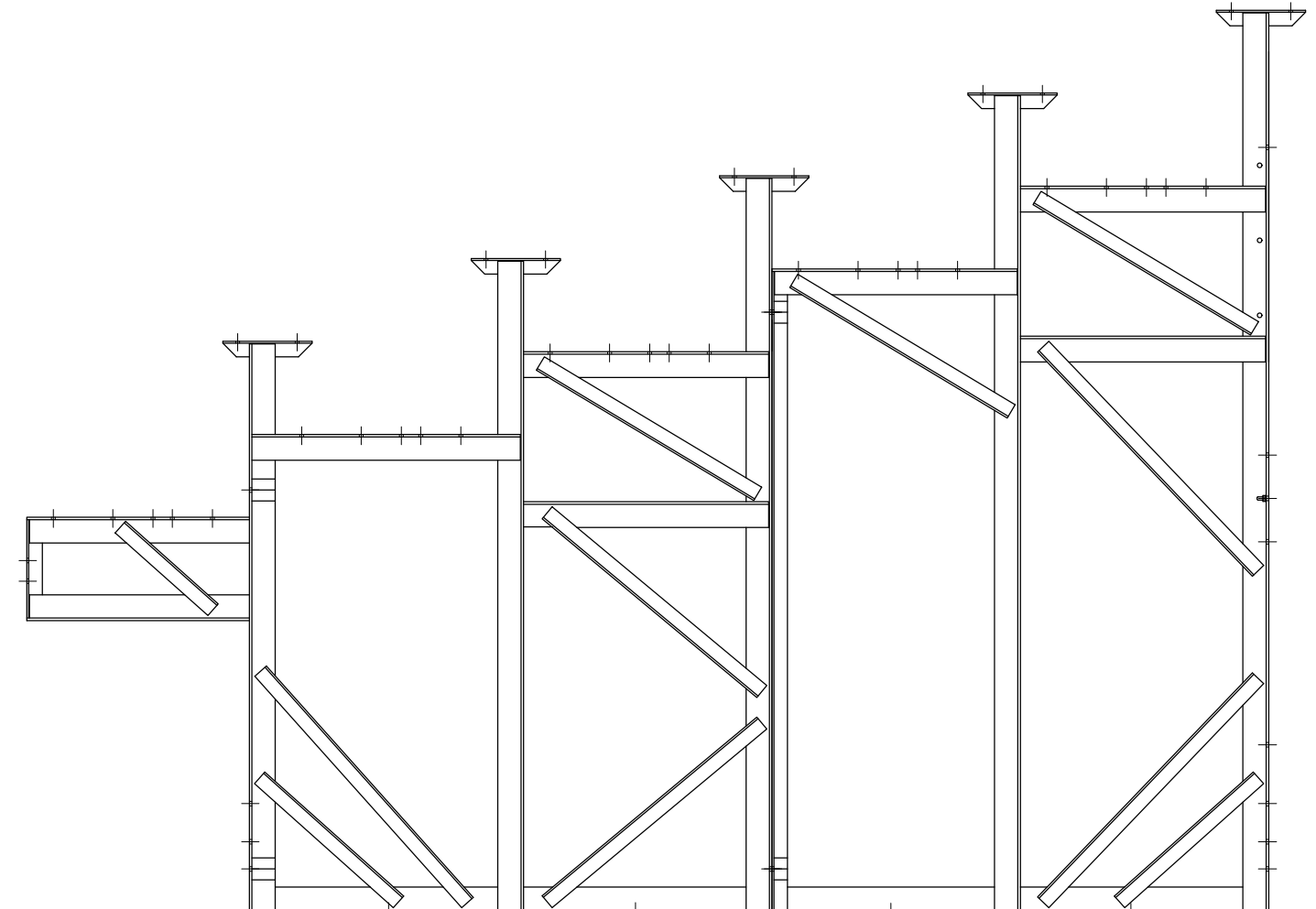
2x6 TREATED GROUND SILL



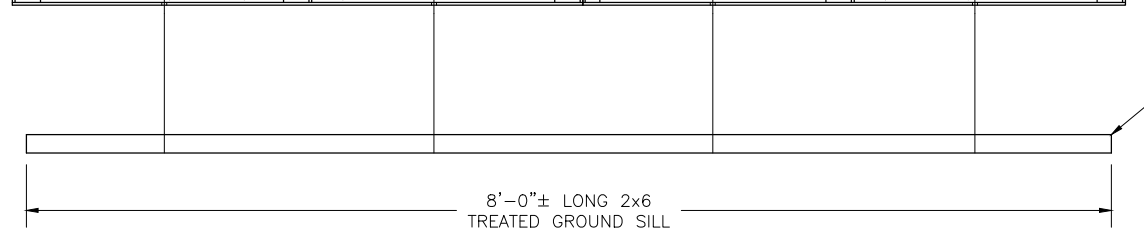
DETAIL "A"
 TYP. 8 PLS.



8'-0"± LONG 2x6
 TREATED GROUND SILL

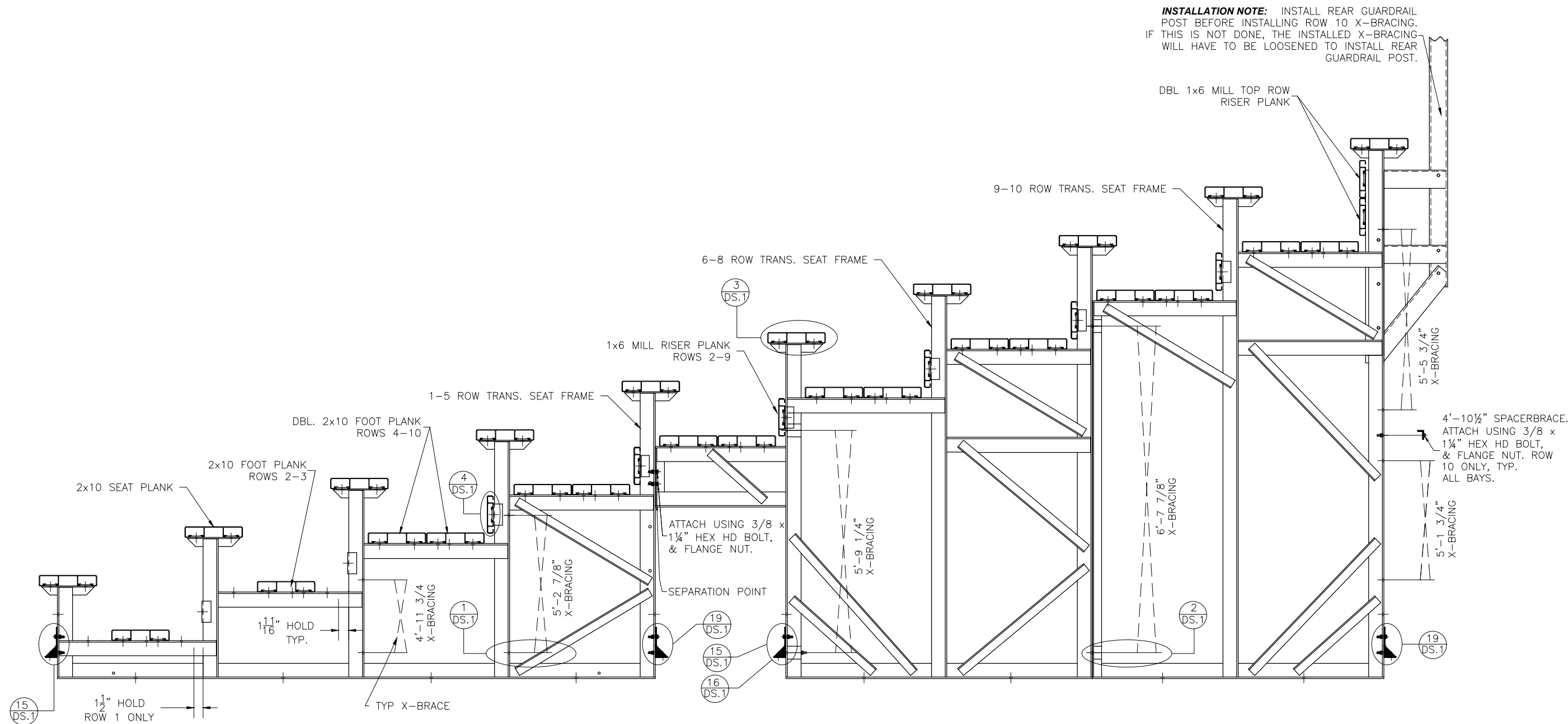


2x6 TREATED
 GROUND SILL



8'-0"± LONG 2x6
 TREATED GROUND SILL

This drawing and all information contained herein is the property of NATIONAL RECREATION SYSTEMS, INC. and is not to be reproduced without express written permission of this manufacturer. We assume no responsibility for unauthorized use of this drawing. National Recreation Systems, Inc. is not responsible for local permits and occupancy requirements.			National Recreation Systems, Inc. 5120 INVESTMENT DRIVE - FORT WAYNE, IN 46808		
SCALE:	N.T.S.	APPROVED BY:	DRAWN BY: JML		
DATE:	3/11/16				
TITLE: NON ELEVATED 1- ROW x 21'-0" ANCHORING ASSEMBLY					
BLEACHER MODEL #: NA-1021TPSTD/CL				DRAWING NUMBER: BA.1	

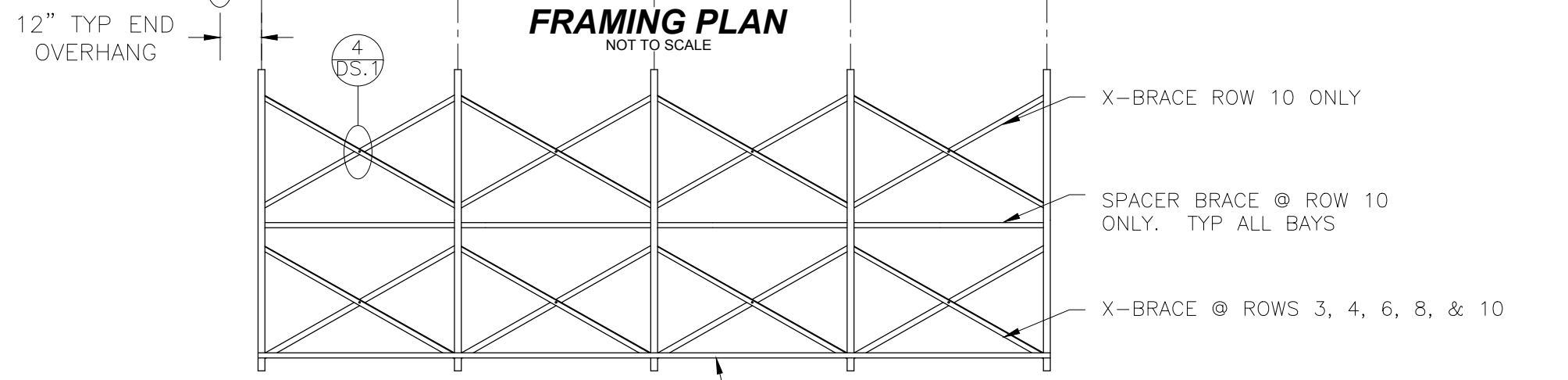
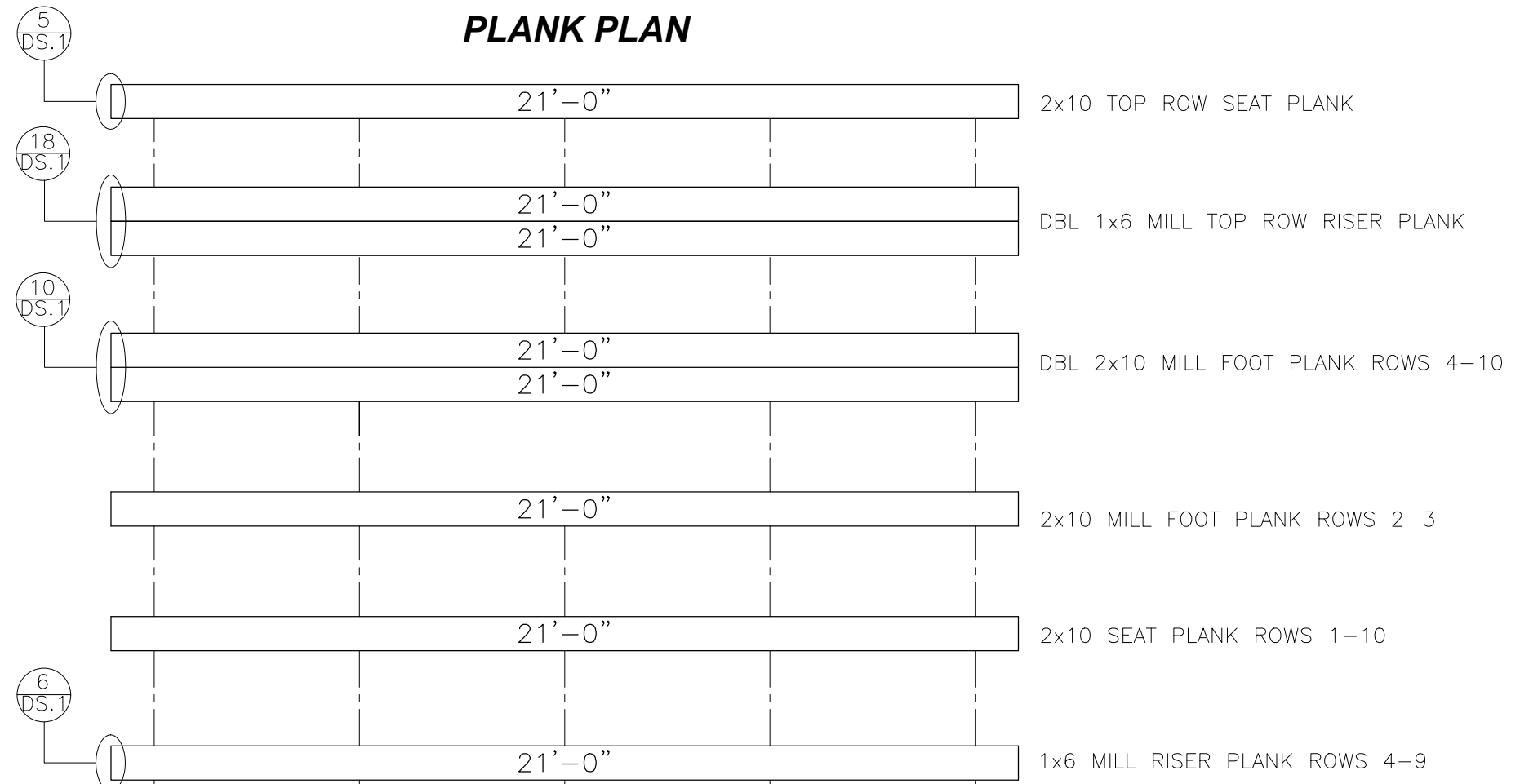


This drawing and all information contained herein is the property of NATIONAL RECREATION SYSTEMS, INC. and is not to be reproduced without express written permission of this manufacturer. We assume no responsibility for unauthorized use of this drawing. National Recreation Systems, Inc. is not responsible for local permits and occupancy requirements.

National Recreation Systems, Inc.

5120 INVESTMENT DRIVE - FORT WAYNE, IN 46808

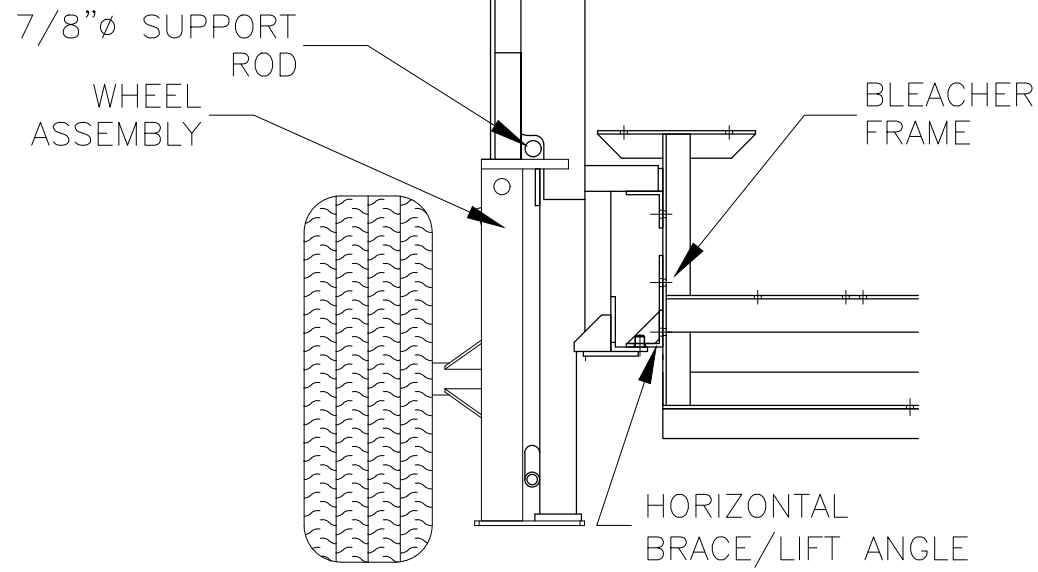
SCALE: N.T.S.	APPROVED BY:	DRAWN BY: JML
DATE: 3/11/16		
TITLE: NON ELEVATED 10 ROW x 21'-0" BLEACHER ASSEMBLY		
BLEACHER MODEL #: NA-1021TPSTD/CL	DRAWING NUMBER: BA.1	



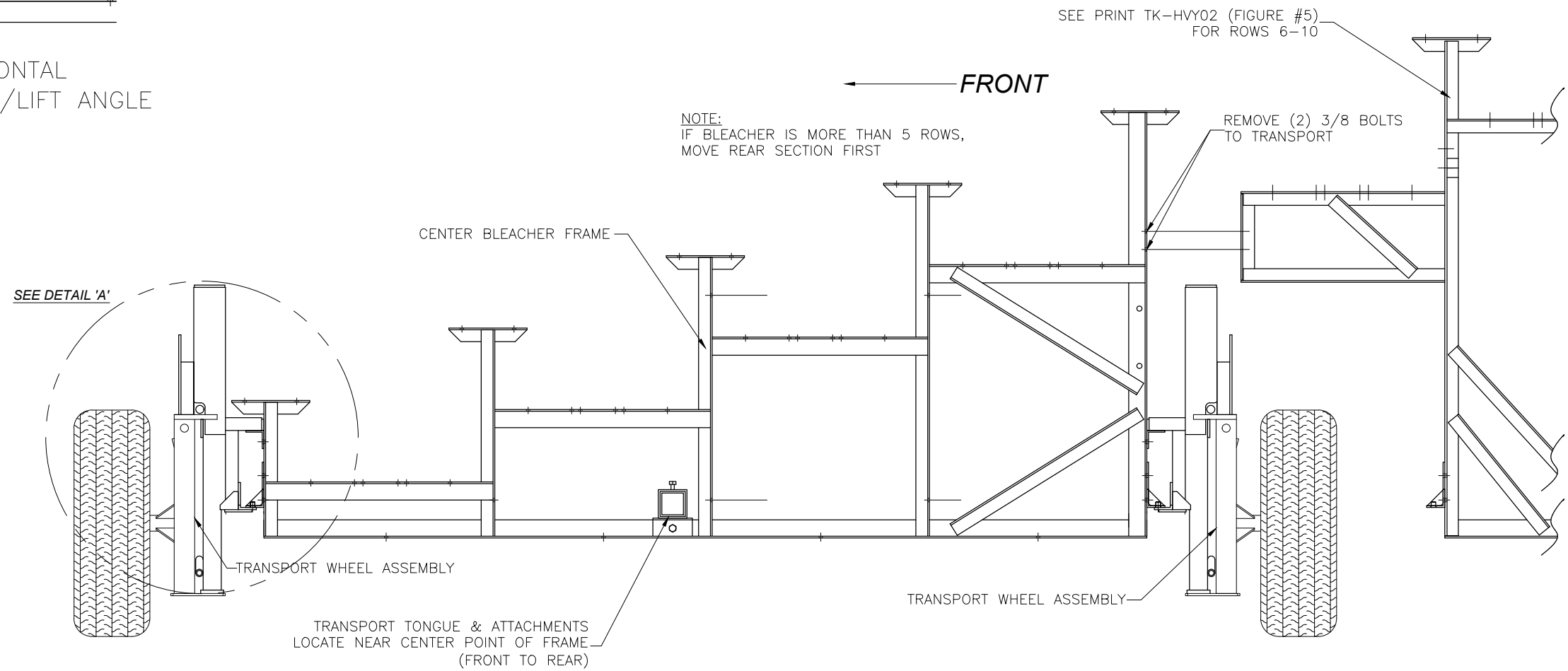
This drawing and all information contained herein is the property of NATIONAL RECREATION SYSTEMS, INC. and is not to be reproduced without express written permission of this manufacturer. We assume no responsibility for unauthorized use of this drawing. National Recreation Systems, Inc. is not responsible for local permits and occupancy requirements.

National Recreation Systems, Inc.		
5120 INVESTMENT DRIVE - FORT WAYNE, IN 46808		
SCALE: N.T.S.	APPROVED BY:	DRAWN BY: JML
DATE: 3/11/16		
TITLE: NON ELEVATED 10 ROW x 21'-0" PLANK & FRAMING PLAN		
BLEACHER MODEL #: NA-1021TPSTD/CL	DRAWING NUMBER: PF.1	

DETAIL 'A'



ROWS 1-5



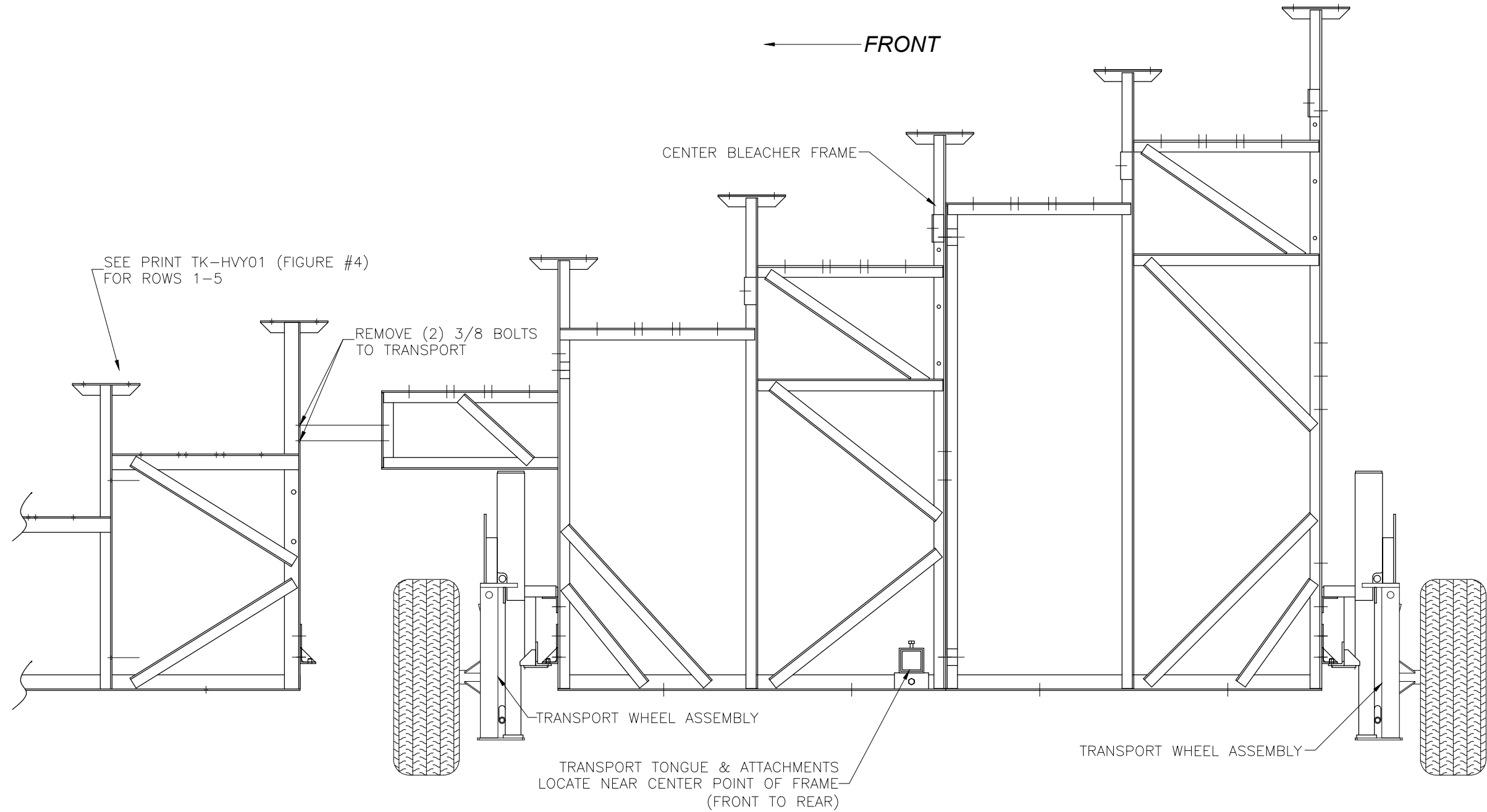
This drawing and all information contained herein is the property of NATIONAL RECREATION SYSTEMS, INC. and is not to be reproduced without express written permission of this manufacturer. We assume no responsibility for unauthorized use of this drawing. National Recreation Systems, Inc. is not responsible for local permits and occupancy requirements.

National Recreation Systems, Inc.

5120 INVESTMENT DRIVE - FORT WAYNE, IN 46808

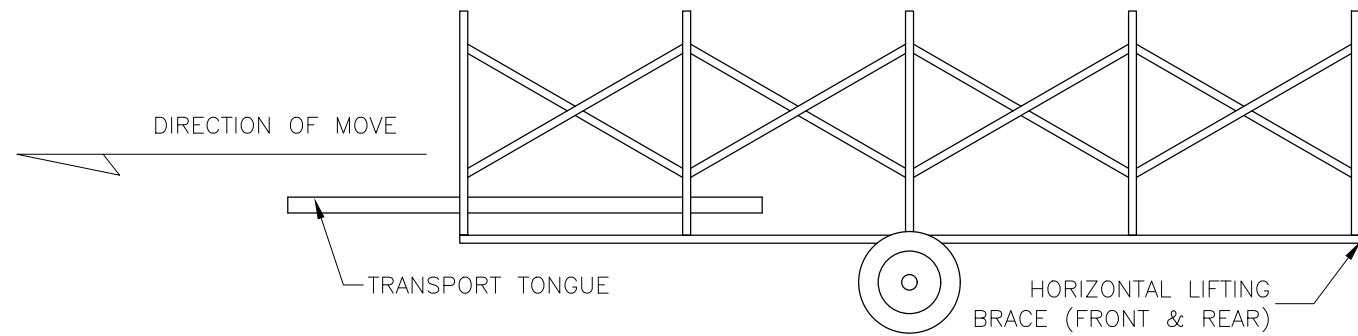
SCALE: N.T.S.	APPROVED BY:	DRAWN BY: JML
DATE: 3/11/16		
TITLE: TRANSPORT KIT ASSEMBLY (ROWS 1-5)		
BLEACHER MODEL #: NA-1021TPSTD/CL	DRAWING NUMBER: TK.1	

ROWS 6-10

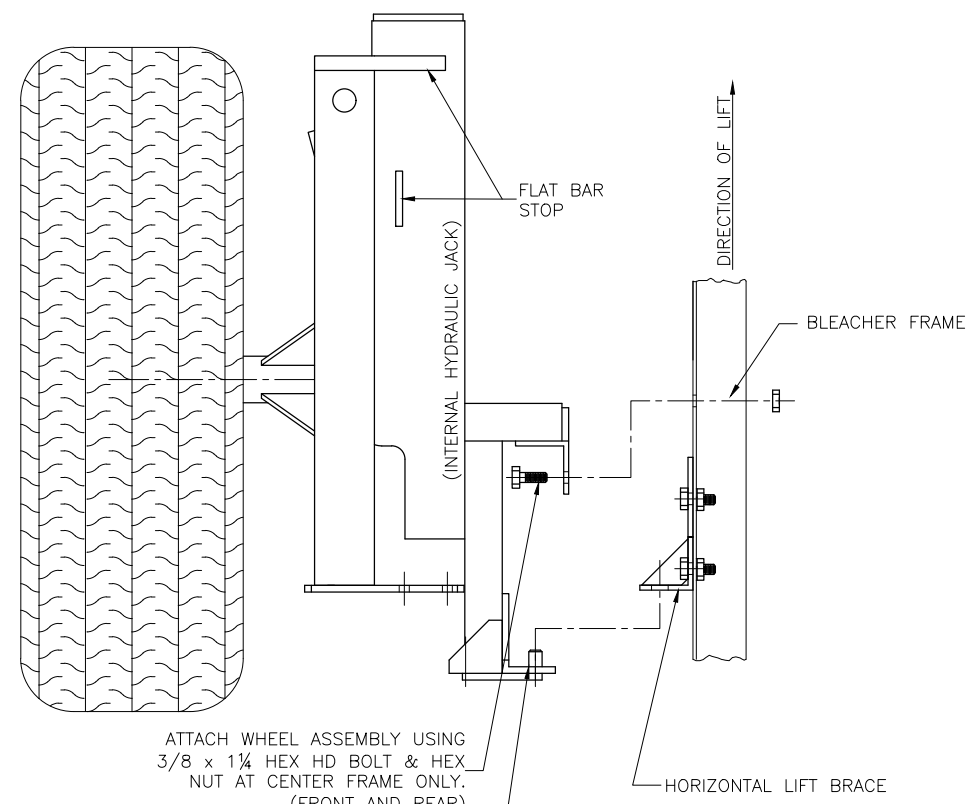
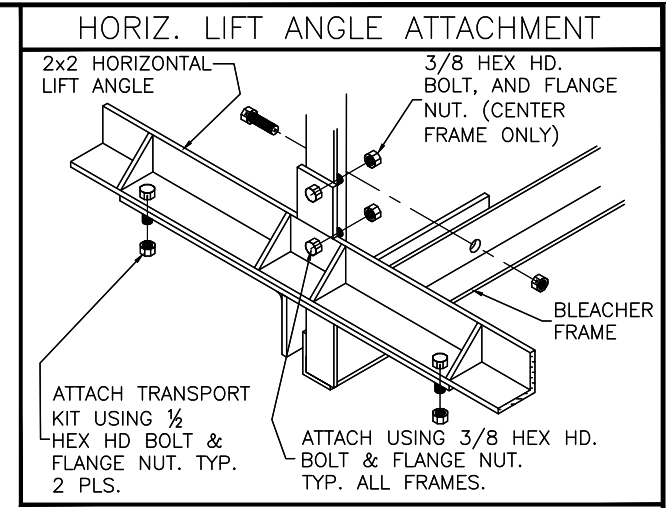


<p>This drawing and all information contained herein is the property of NATIONAL RECREATION SYSTEMS, INC. and is not to be reproduced without express written permission of this manufacturer. We assume no responsibility for unauthorized use of this drawing. National Recreation Systems, Inc. is not responsible for local permits and occupancy requirements.</p>			<p>National Recreation Systems, Inc. 5120 INVESTMENT DRIVE - FORT WAYNE, IN 46808</p>		
SCALE:	N.T.S.	APPROVED BY:	DRAWN BY:		JML
DATE:	3/11/16	TITLE:		TRANSPORT KIT ASSEMBLY (ROWS 6-10)	
BLEACHER MODEL #:	NA-1021TPSTD/CL	DRAWING NUMBER:		TK.2	

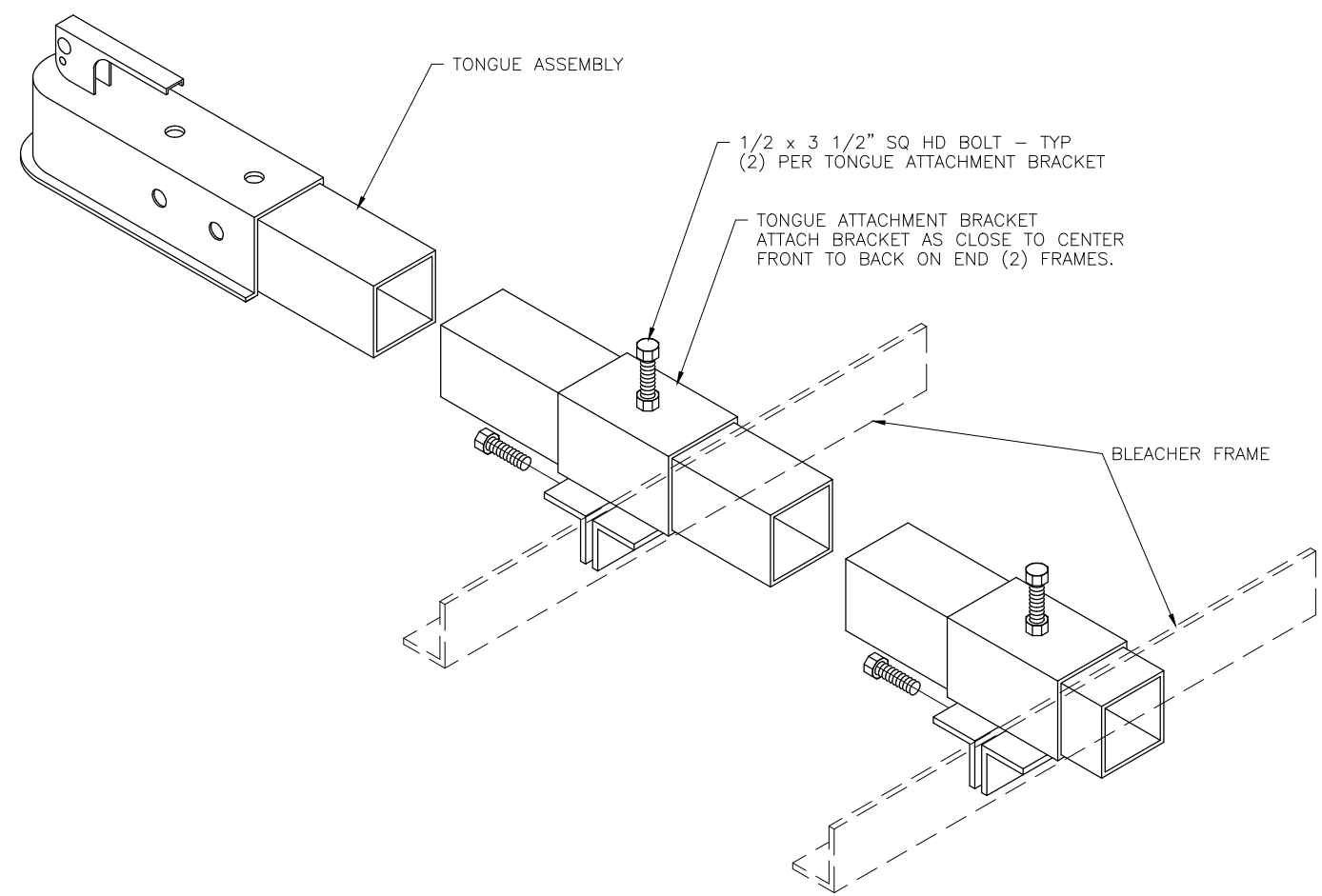
WHEEL LOCATION



(FIGURE #2)



(FIGURE #3)



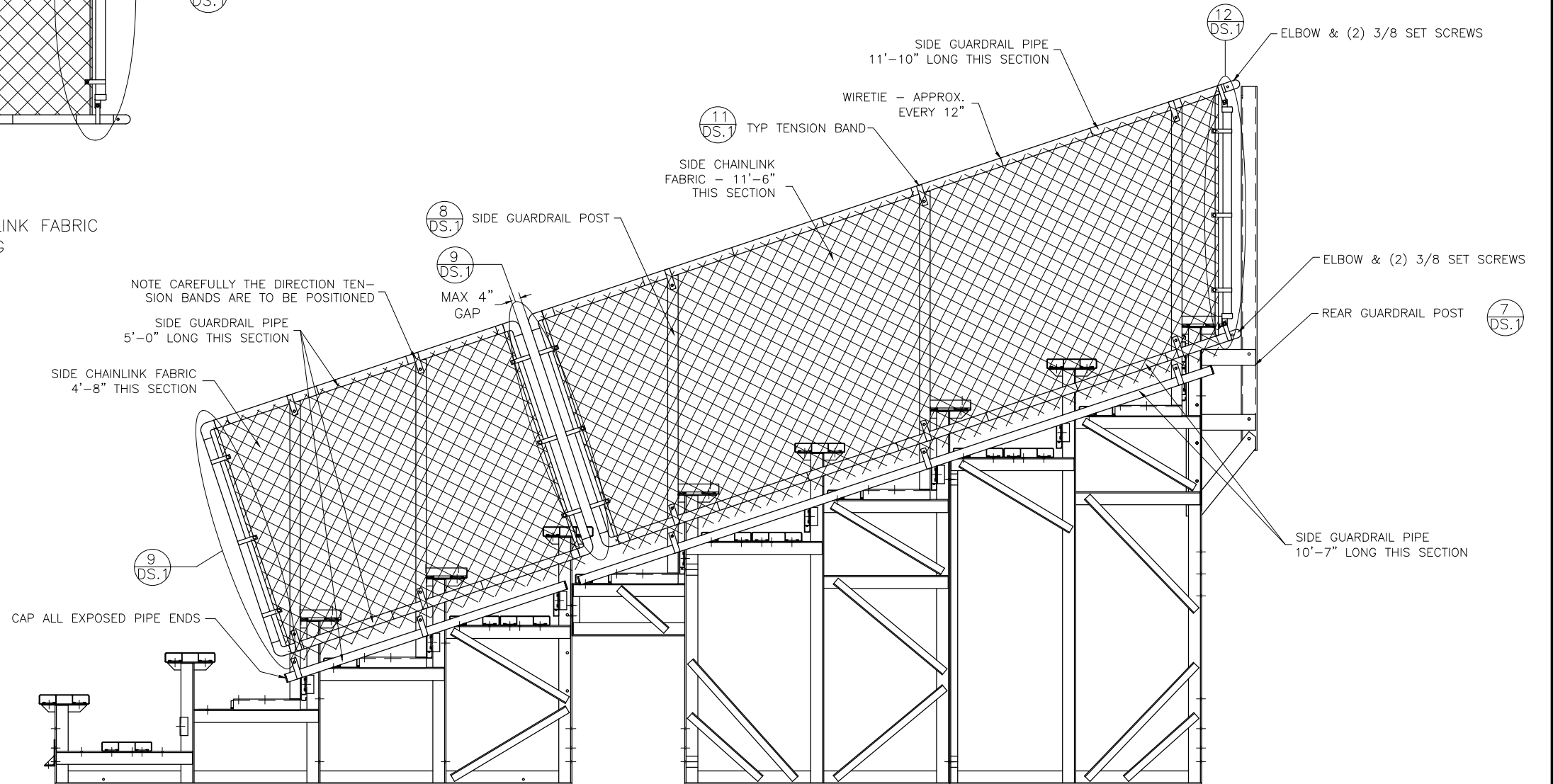
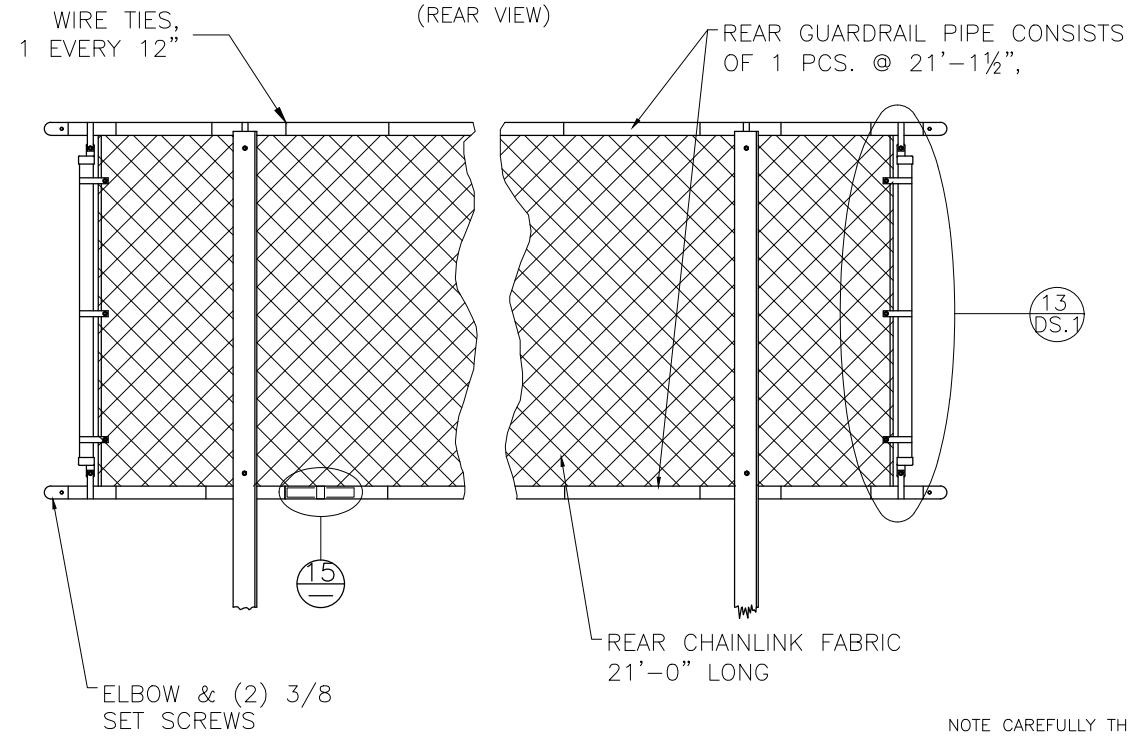
This drawing and all information contained herein is the property of NATIONAL RECREATION SYSTEMS, INC. and is not to be reproduced without express written permission of this manufacturer. We assume no responsibility for unauthorized use of this drawing. National Recreation Systems, Inc. is not responsible for local permits and occupancy requirements.

National Recreation Systems, Inc.
 5120 INVESTMENT DRIVE - FORT WAYNE, IN 46808

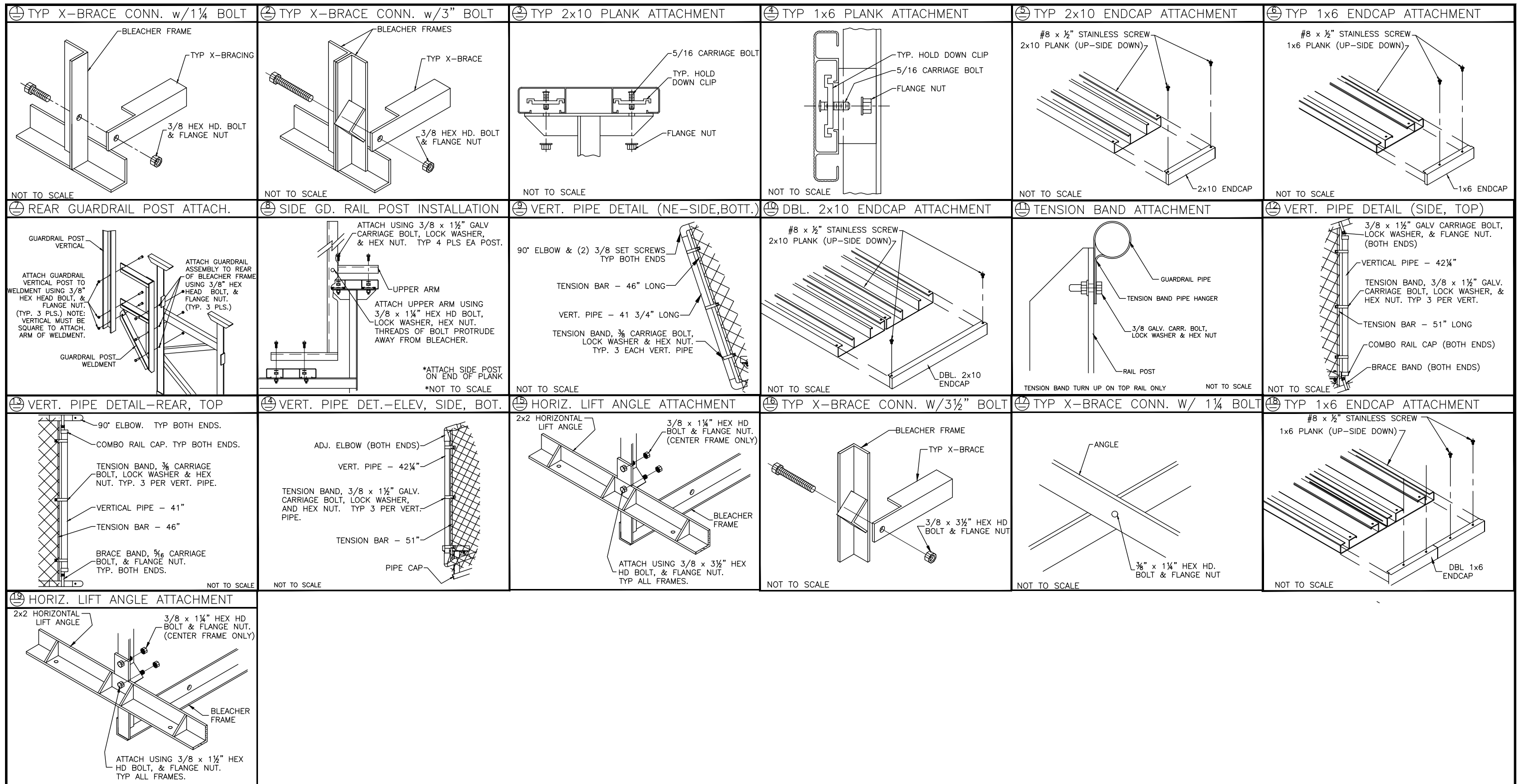
SCALE: N.T.S.	APPROVED BY:	DRAWN BY: JML
DATE: 3/11/16		
TITLE: TRANSPORT KIT ASSEMBLY		
BLEACHER MODEL #: NA-1021TPSTD/CL	DRAWING NUMBER: TK.3	

REAR GUARDRAIL

(REAR VIEW)



<p>This drawing and all information contained herein is the property of NATIONAL RECREATION SYSTEMS, INC. and is not to be reproduced without express written permission of this manufacturer. We assume no responsibility for unauthorized use of this drawing. National Recreation Systems, Inc. is not responsible for local permits and occupancy requirements.</p>		
<p>National Recreation Systems, Inc. 5120 INVESTMENT DRIVE - FORT WAYNE, IN 46808</p>		
SCALE: N.T.S.	APPROVED BY:	DRAWN BY: JML
DATE: 3/11/16		
TITLE: NON ELEVATED 10 ROW x 21'-0" GUARD RAIL ASSEMBLY		
BLEACHER MODEL #: NA-1021TPSTD/CL	DRAWING NUMBER: GR.1	



<p>This drawing and all information contained herein is the property of NATIONAL RECREATION SYSTEMS, INC. and is not to be reproduced without express written permission of this manufacturer. We assume no responsibility for unauthorized use of this drawing. National Recreation Systems, Inc. is not responsible for local permits and occupancy requirements.</p>			<p>National Recreation Systems, Inc. 5120 INVESTMENT DRIVE - FORT WAYNE, IN 46808</p>		
<p>SCALE: N.T.S.</p>	<p>APPROVED BY:</p>	<p>DRAWN BY: JML</p>			
<p>DATE: 3/11/16</p>	<p>TITLE: DETAIL SHEETS</p>				
<p>BLEACHER MODEL #: NA-1021TPSTD/CL</p>	<p>DRAWING NUMBER: DS.1</p>				