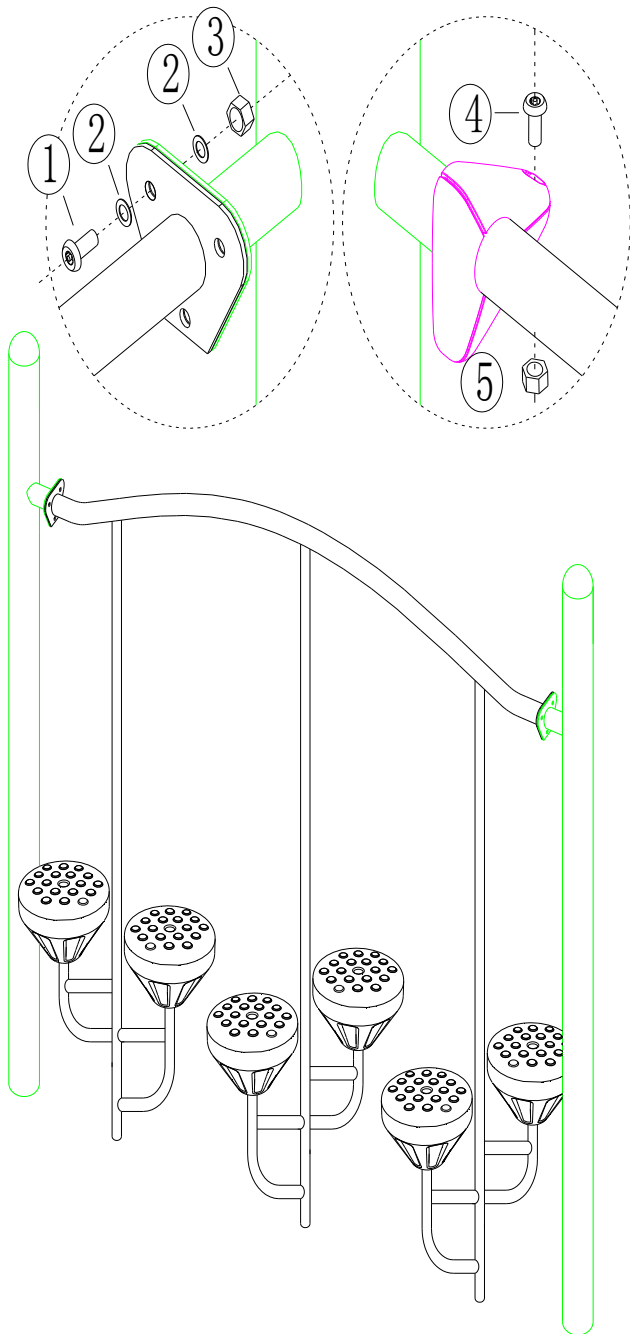
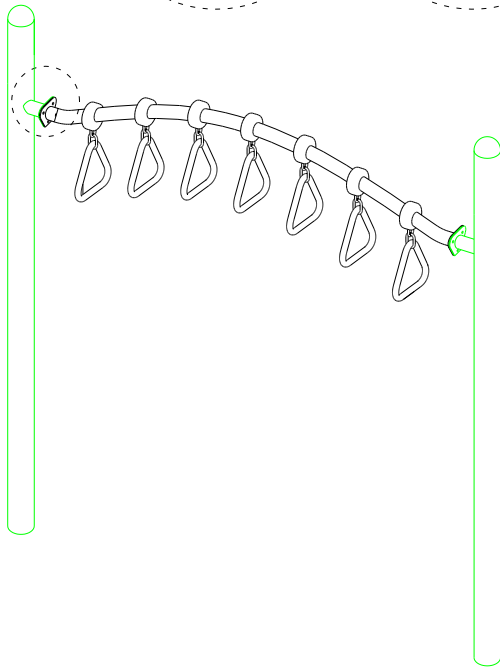
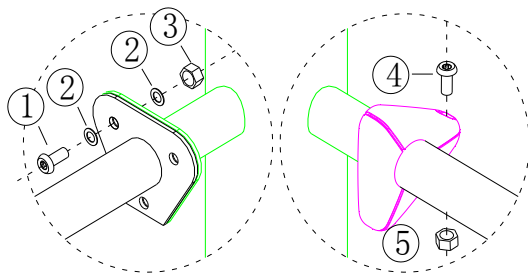


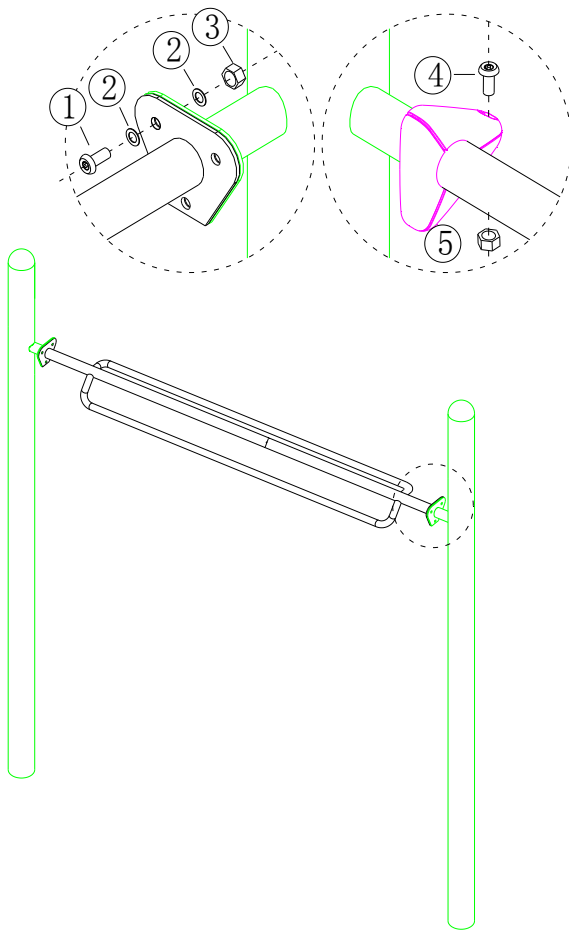
	ITEM	ITEM NAME	SPECIFICATION	QTY	PIC
POD BRIDGE	POD BRIDGE			1	
	1	BOLT	M10x25	6	
	2	WASHER	M10	12	
	3	LOCK NUT	M10	6	
	4	BOLT	M8x30	2	
	5	LOCK NUT	M8	2	
REMARK		梅花桩云梯与立柱连接			



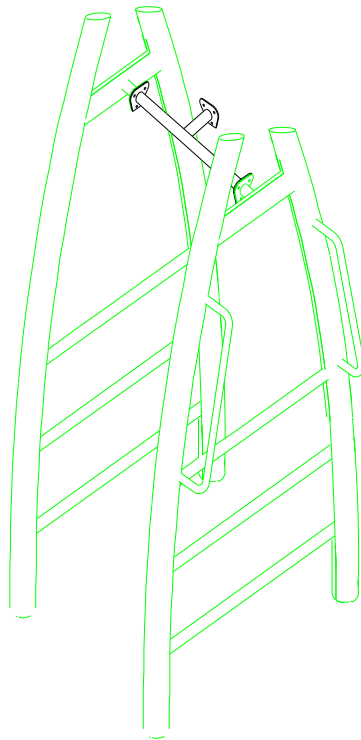
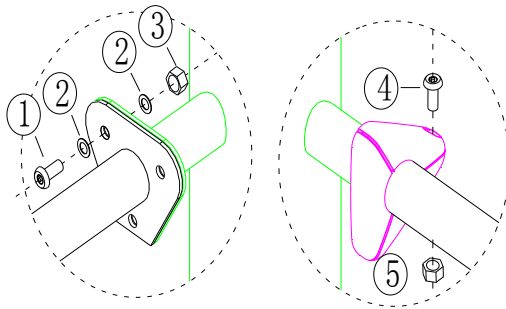
	ITEM	ITEM NAME	SPECIFICATION	QTY	PIC
RINGS OVERHEAD LADDER	RINGS OVERHEAD LADDER			1	
	1	BOLT	M10x25	6	
	2	WASHER	M10	12	
	3	LOCK NUT	M10	6	
	4	BOLT	M8x30	2	
	5	LOCK NUT	M8	2	
REMARK		RINGS OVERHEAD LADDER CONNECT WITH POST			



	ITEM	ITEM NAME	SPECIFICATION	QTY	PIC
PULL UP BAR	PULL UP BAR			1	
	1	BOLT	M10x25	6	
	2	WASHER	M10	12	
	3	LOCK NUT	M10	6	
	4	BOLT	M8x30	2	
	5	LOCK NUT	M8	2	
REMARK		PULL UP BAR CONNECT WITH POST			



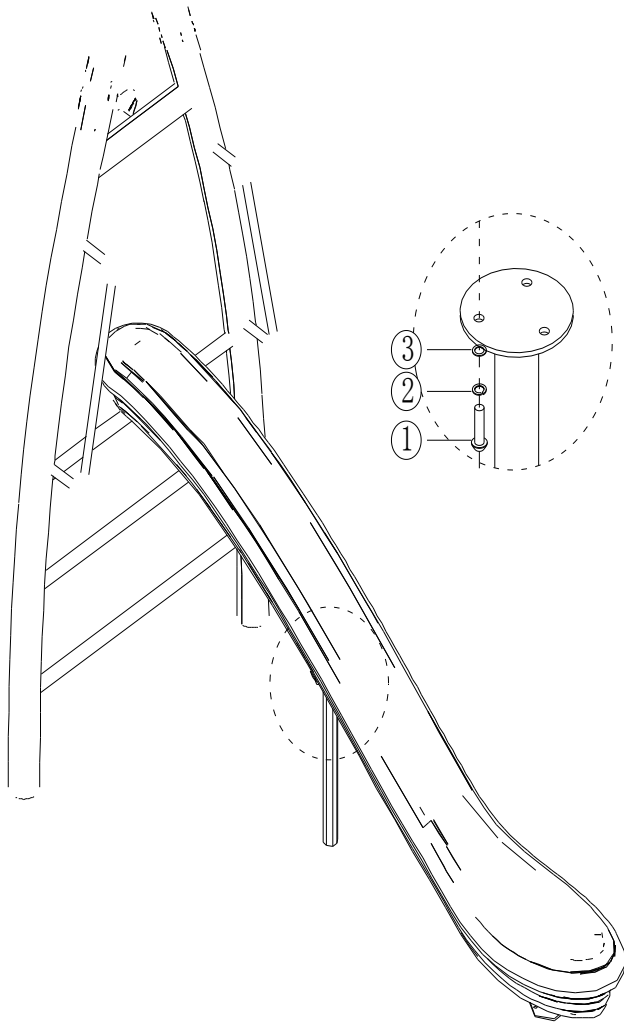
	ITEM	ITEM NAME	SPECIFICATION	QTY	PIC
CONNECT BAR	CONNECT BAR			1	
	1	BOLT	M10x25	6	
	2	WASHER	M10	12	
	3	LOCK NUT	M10	6	
	4	BOLT	M8x30	2	
	5	LOCK NUT	M8	2	
REMARK		CONNECT BAR CONNECT WITH POST			

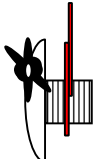


	ITEM	ITEM NAME	SPECIFICATION	QTY	PIC
SLIDE		SLIDE		1	
	1	BOLT	M10*20	2	
	2	WASHER	M10	2	
	3	SPRING WASHER	M10	2	

REMARK

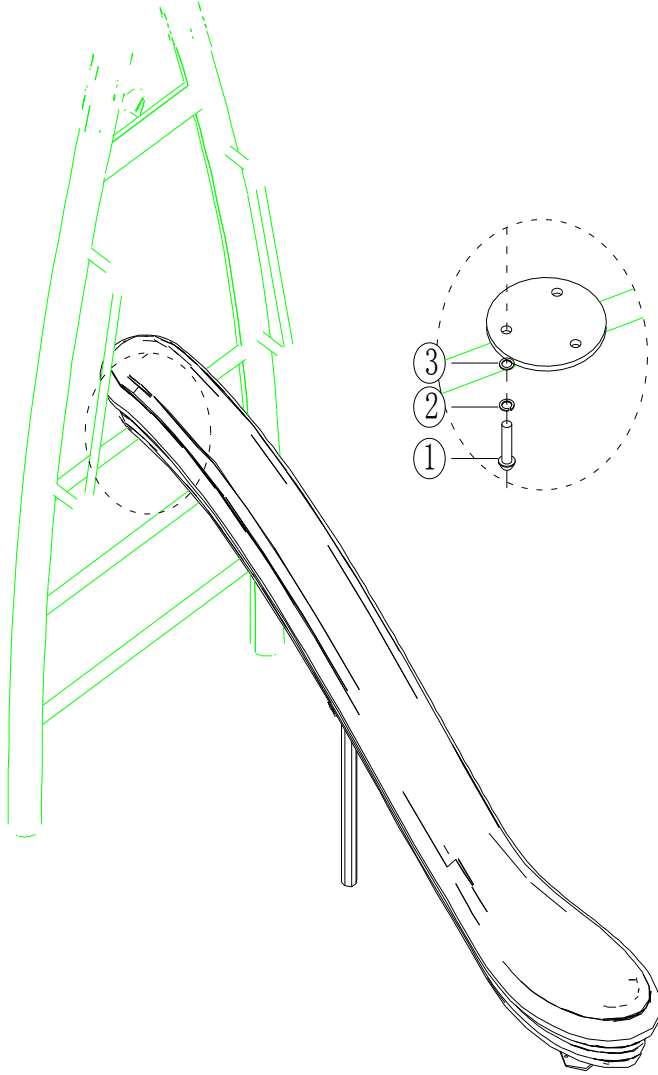
SLIDE CONNECTION



	ITEM	ITEM NAME	SPECIFICATION	QTY	PIC
SLIDE		SLIDE		1	
	1	BOLT	M10*20	2	
	2	WASHER	M10	2	
	3	SPRING WASHER	M10	2	

REMARK

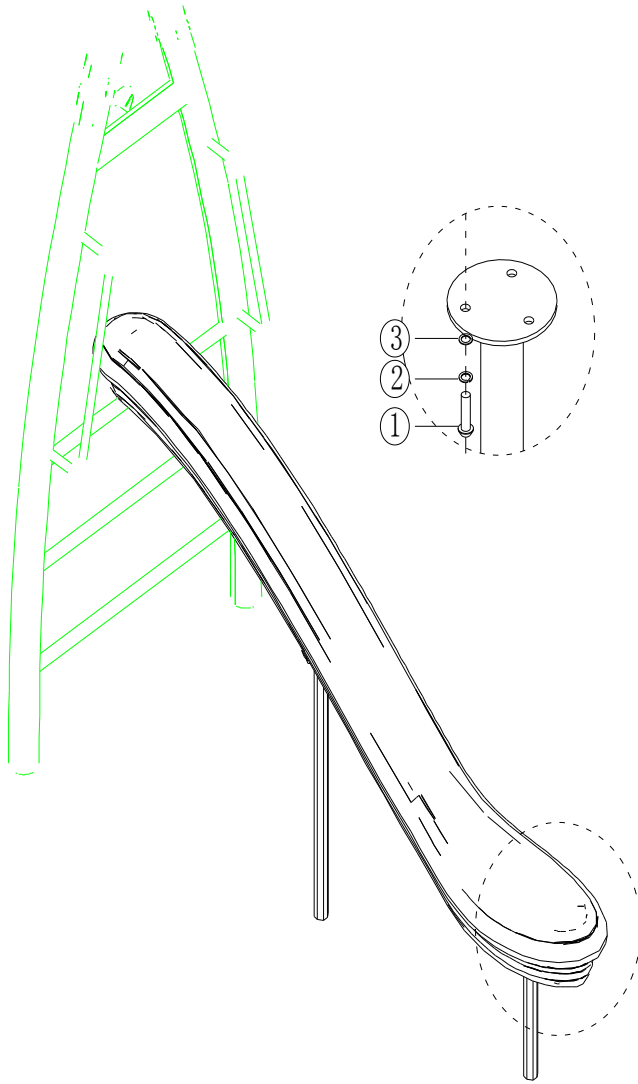
SLIDE CONNECTION

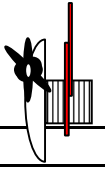


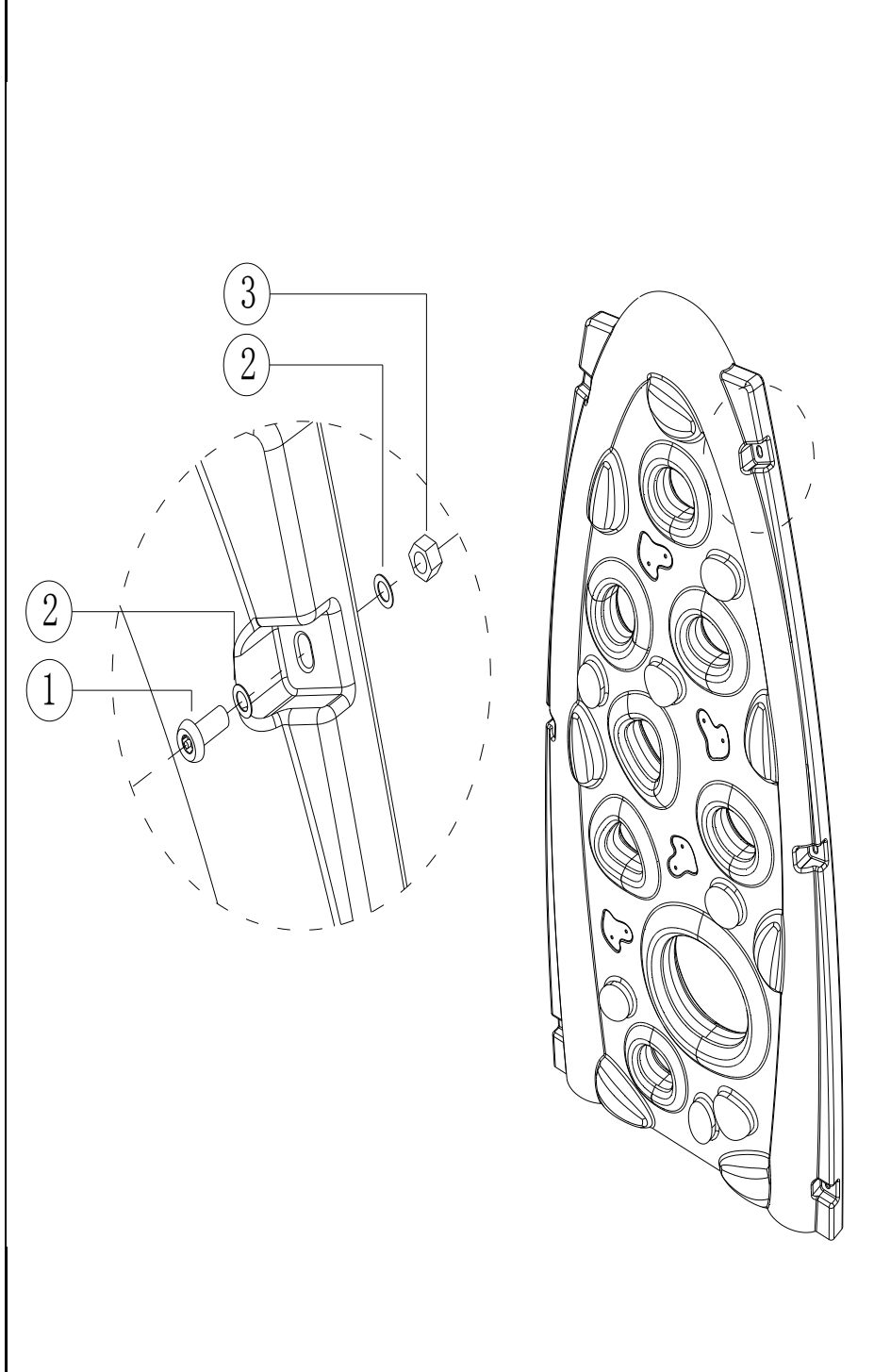
	ITEM	ITEM NAME	SPECIFICATION	QTY	PIC
SLIDE		SLIDE		1	
	1	BOLT	M10*20	2	
	2	WASHER	M10	2	
	3	SPRING WASHER	M10	2	

REMARK

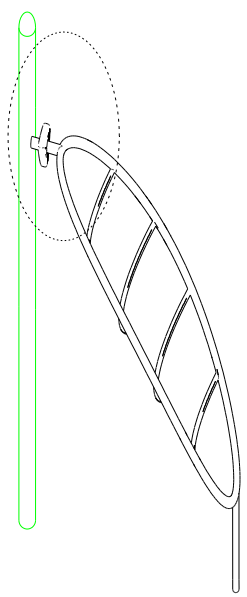
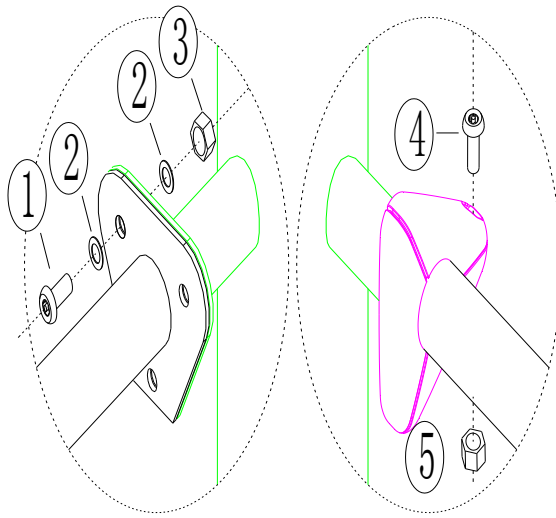
SLIDE CONNECTION



	ITEM	ITEM NAME	SPECIFICATION	QTY	PIC
CLIMBER	CLIMBER			1	
	1	BOLT	M10x50	6	
	2	WASHER	M10	12	
	3	LOCK NUT	M10	6	
REMARK		CLIMBER CONNECTION			



	ITEM	ITEM NAME	SPECIFICATION	QTY	PIC
ELLIPSE CLIMBER	ELLIPSE CLIMBER			1	
	1	BOLT	M10x25	6	
	2	WASHER	M10	12	
	3	LOCK NUT	M10	6	
	4	BOLT	M8x30	2	
	5	LOCK NUT	M8	2	
REMARK		ELLIPSE CLIMBER CONNECT WITH POST			



PINE TREE TOPPER	ITEM	ITEM NAME	SPECIFICATION	QTY	PIC
	PINE TREE TOPPER			1	
	1	BOLT	M8*45	3	
	2	WASHER	M8	3	

REMARK	PINE TREE TOPPER CONNECT WITH POST
--------	------------------------------------

