

## STEP: 1

**DO NOT CEMENT POSTS INTO PLACE  
UNTIL THE ENTIRE STRUCTURE IS  
ASSEMBLED.**

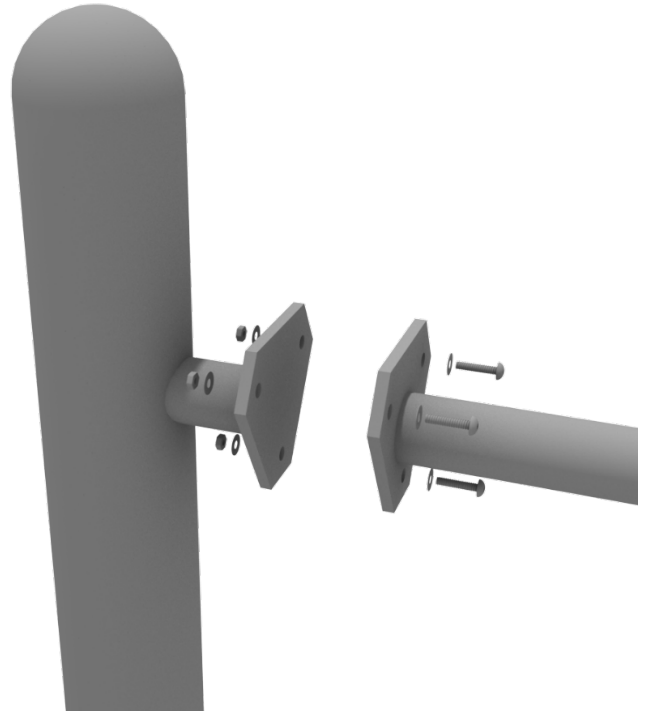
Refer to the General Installation  
guide footing information and dig  
proper holes for the support posts.



# Get Physical Series – Standard Attachment Point Installation

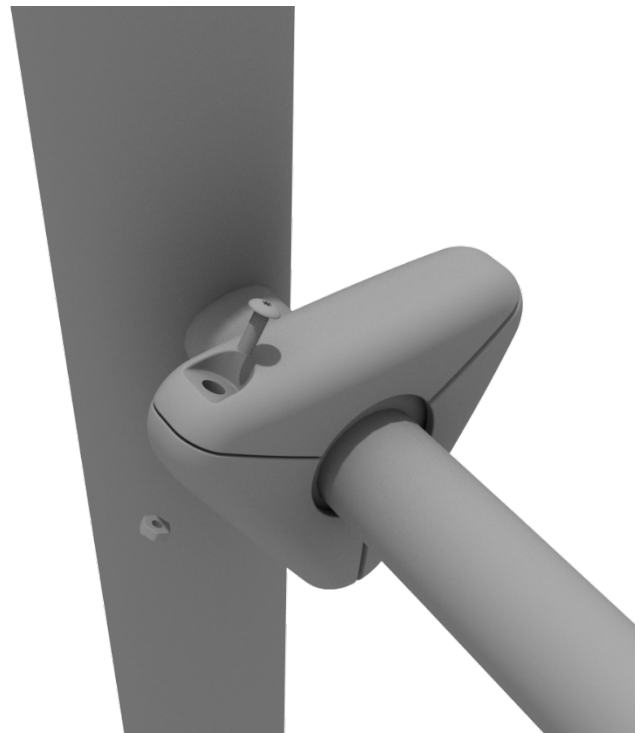
## STEP: 1

Most components of a Get Physical series structure attach using this standard attachment point. Use three (3) M10\*25 bolts, six (6) M10 washers, and three (3) M10 lock nuts.

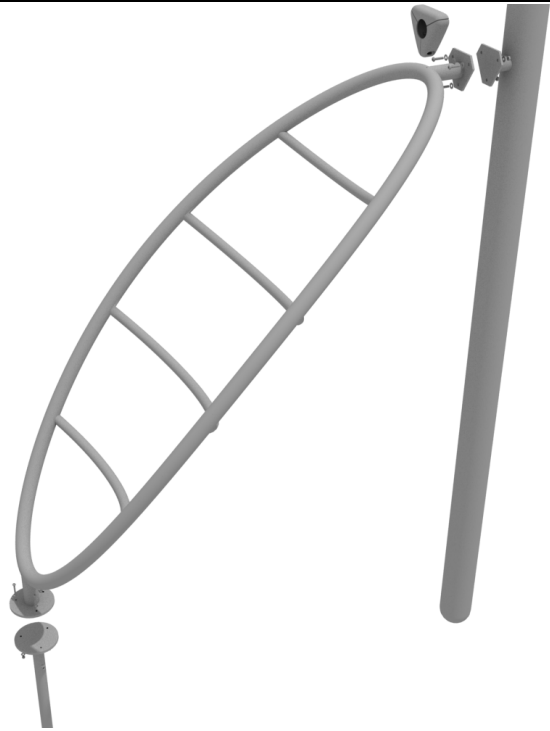


## STEP: 2

Each of these attachment points has a rubber cover to protect the bolts. Attach the cover and secure using the pre-attached M8\*40 bolt and M8 lock nut.



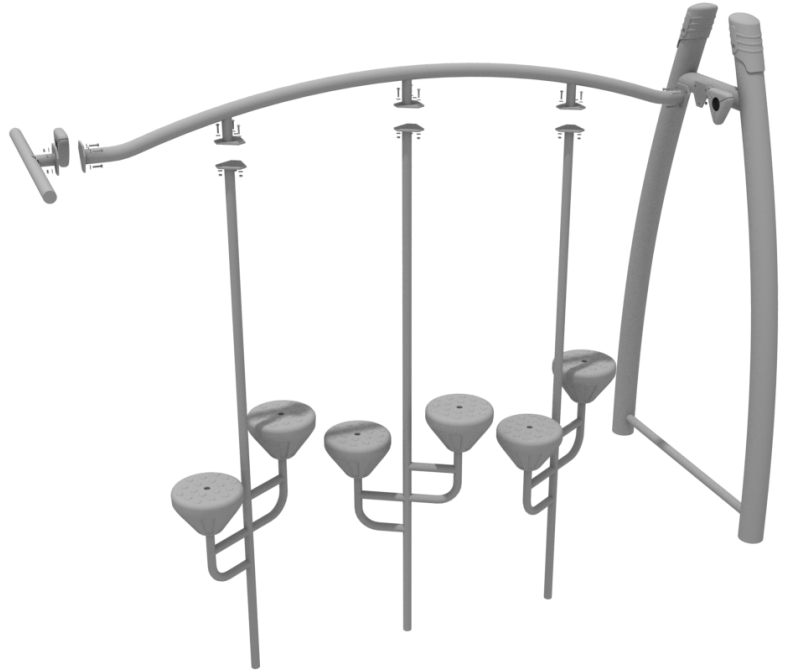
Connect the Vertical Horizon Ladder to the appropriate post via the Standard Attachment Point. Dig suitable footings for the Vertical Horizon Climber. Please refer to the footing section for climbers in the General Installation Instructions document.



# Get Physical Pebble Bridge Install

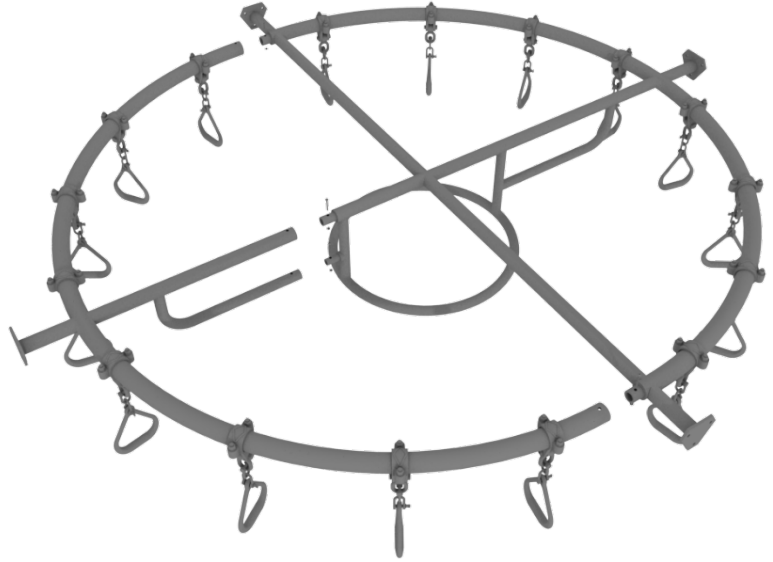
## STEP: 1

Connect the Pebble Bridge top rail to the appropriate posts via the Standard Attachment Point. Dig suitable footings for each of the pebble steps. Please refer to the footing section for climbers in the General Installation Instructions document.



**STEP: 1**

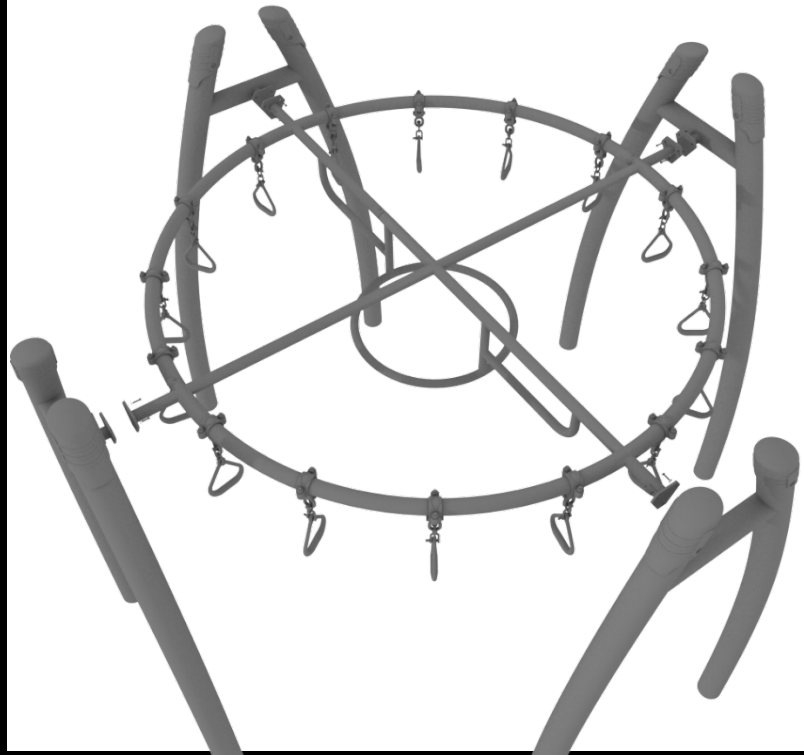
Connect the two halves of the Swinging Rings Hub together using four (4) M8\*60 bolts and four (4) M8 lock nuts.



**STEP: 1**

The Singing Rings Hub will attach to the support posts via the Standard Attachment Points.

For detailed info see the Standard Attachment Point guide at the beginning of this document.



## STEP: 1

Connect the 3-Wheel Overhead Spinner to the appropriate posts via the Standard Attachment Point.

Refer to the Standard Attachment Point install section for more detailed information.

