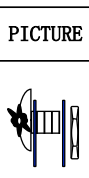

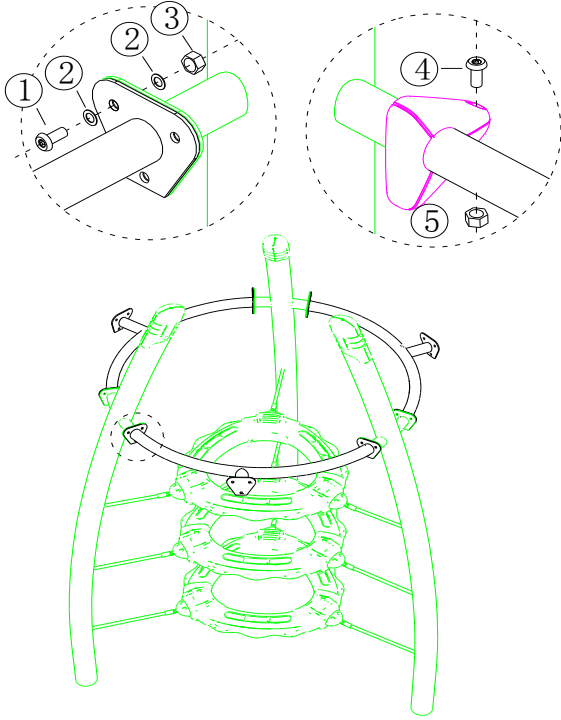
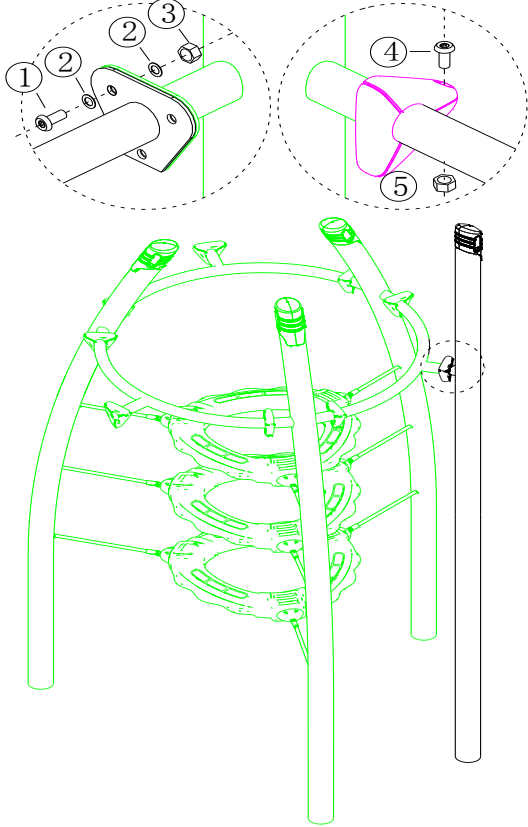
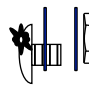

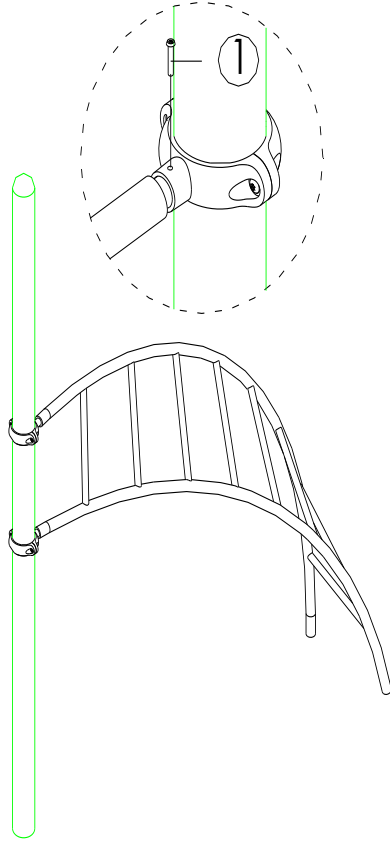
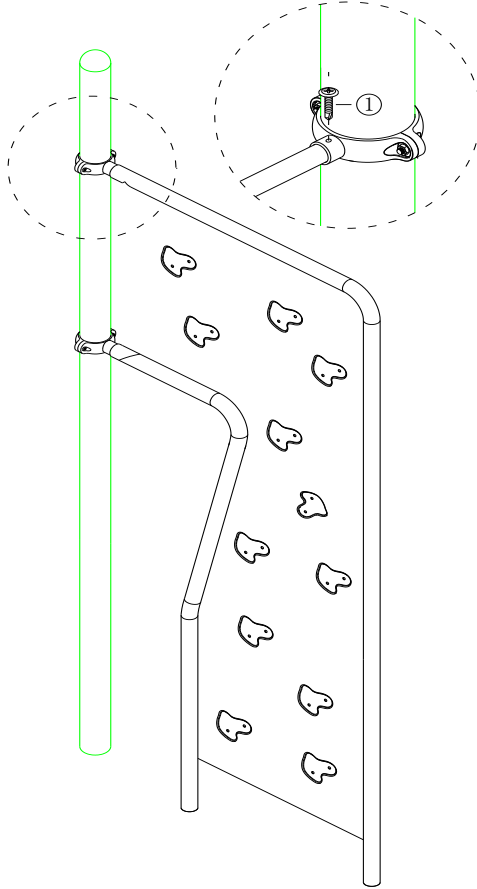
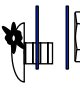


|  | ITEM                       | ITEM NAME | SPECIFIC ACTION | QUANTITY | PICTURE   |   | ITEM                     | ITEM NAME | SPECIFIC ACTION | QUANTITY | PICTURE   |
|--|----------------------------|-----------|-----------------|----------|---|---|--------------------------|-----------|-----------------|----------|---|
| ARCH BAR   | ARCH BAR                   |           |                 | 1        |  | LADDER  | LADDER                   |           |                 | 1        |  |
|  | 1                          | BOLT      | M10x25          | 18       |   |   | 1                        | BOLT      | M10x25          | 6        |   |
|  | 2                          | WASHER    | M10             | 36       |   |   | 2                        | WASHER    | M10             | 12       |   |
|  | 3                          | LOCK NUT  | M10             | 18       |   |   | 3                        | LOCK NUT  | M10             | 6        |   |
|  | 4                          | BOLT      | M8x30           | 6        |   |   | 4                        | BOLT      | M8x30           | 2        |   |
|  | 5                          | LOCK NUT  | M8              | 6        |   |   | 5                        | LOCK NUT  | M8              | 2        |   |
| REMARK   | ARCH BAR CONNECT WITH POST |           |                 |          |   | REMARK  | LADDER CONNECT WITH POST |           |                 |          |   |
|  |                            |           |                 |          |   |  |                          |           |                 |          |   |

|        | ITEM          | ITEM NAME                       | SPECIFICATION | QUANTITY | PICTURE  | PE CLIMBER  | ITEM  | ITEM NAME  | SPECIFICATION                | QUANTITY | PICTURE |   |   |
|--------|---------------|---------------------------------|---------------|----------|--|---|---|------------|------------------------------|----------|---------|---|---|
|        | TWIST CLIMBER | TWIST CLIMBER                   |               |          | 1  |   |  | PE CLIMBER | PE CLIMBER                   |          |         | 1 |  |
| 1      |               | BOLT                            | M10x25        | 6        | 1  | BOLT  |   |            | M8x30                        | 2        |         |   |   |
| 2      |               | WASHER                          | M10           | 12       | REMARK   |   |   |            | PE CLIMBER CONNECT WITH POST |          |         |   |   |
| 3      |               | LOCK NUT                        | M10           | 6        |  |  |   |            |                              |          |         |   |   |
| 4      |               | BOLT                            | M8x45         | 2        |  |   |   |            |                              |          |         |   |   |
| 5      |               | LOCK NUT                        | M8            | 2        |  |   |   |            |                              |          |         |   |   |
| REMARK |               | TWIST CLIMBER CONNECT WITH POST |               |          |  |   |   |            |                              |          |         |   |   |

|         | ITEM | ITEM NAME | SPECIFICATION | QUANTITY | PICTURE   |
|---------|------|-----------|---------------|----------|---|
| CLIMBER |      | CLIMBER   |               | 1        |  |
|         | 1    | BOLT      | M10x25        | 6        |   |
|         | 2    | WASHER    | M10           | 12       |   |
|         | 3    | LOCK NUT  | M10           | 6        |   |
|         | 4    | BOLT      | M8x30         | 2        |   |
|         | 5    | LOCK NUT  | M8            | 2        |   |

REMARK

CLIMBER CONNECT WITH POST

