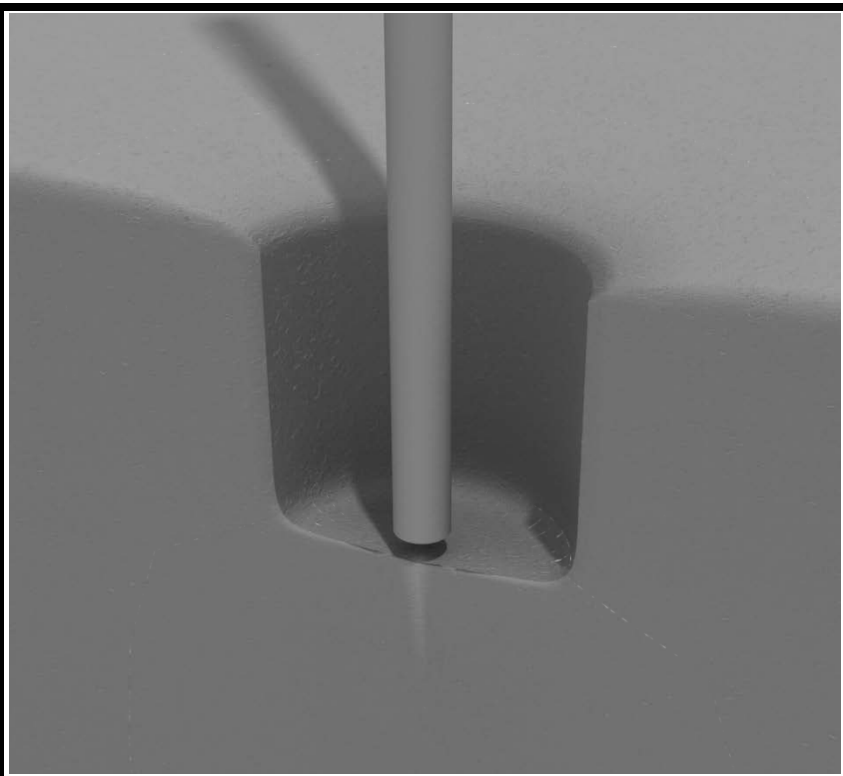


STEP: 1

**DO NOT CEMENT POSTS INTO PLACE
UNTIL THE ENTIRE STRUCTURE IS
ASSEMBLED.**

Refer to the General Installation
guide footing information and dig
proper holes for the support posts.



Square Deck Installation

STEP: 1

After the posts are in place, using four (4) M10*35 bolts, eight (8) M10 washers, and four (4) M10 lock nuts, attach each square deck to each pre-attached deck clamp as shown in the image.

Deck clamps are pre-attached to the posts and should not be altered in any way.



Rectangle Deck Installation

STEP: 1

After the posts are in place, using four (4) M10*35 bolts, eight (8) M10 washers, and four (4) M10 lock nuts, attach the rectangle deck to each pre-attached deck clamp as shown in the image.

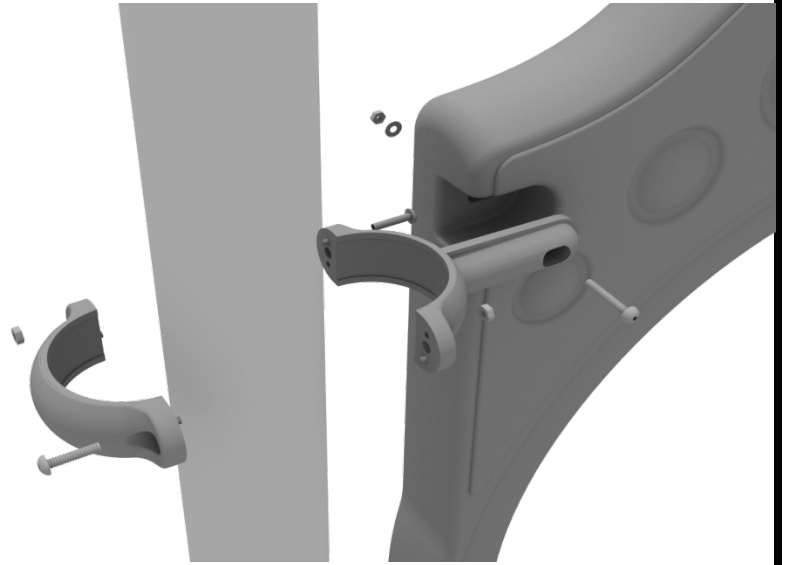
Deck clamps are pre-attached to the posts and should not be altered in any way.



3.5-inch Clamp Installation Guide

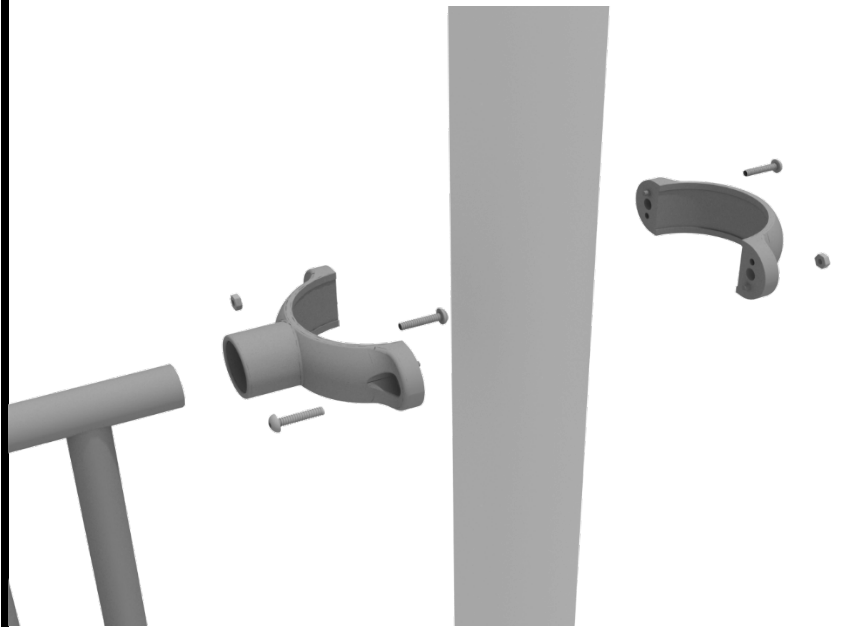
3.5-inch Flat Clamp

Connect half of the flat clamp to the component using one (1) M8*40 bolt. Then, using the other half of the flat clamp and the hardware provided in the clamp hardware bag, attach the other half of the tube clamp around the post.



3.5-inch Tube Clamp

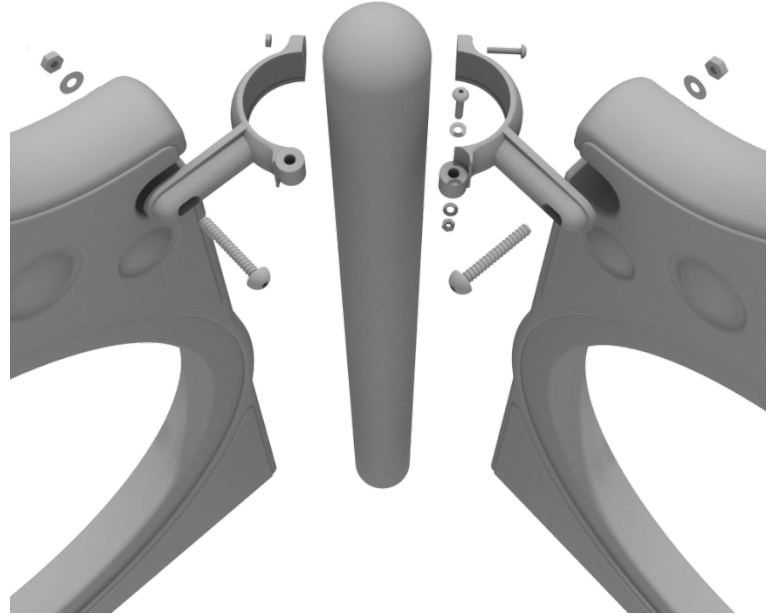
Connect half of the clamp to the component using one (1) M8*30 bolt. Then, using the other half of the tube clamp and the hardware provided in the clamp hardware bag, attach the other half of the tube clamp around the post.



3.5-inch Clamp Installation Guide

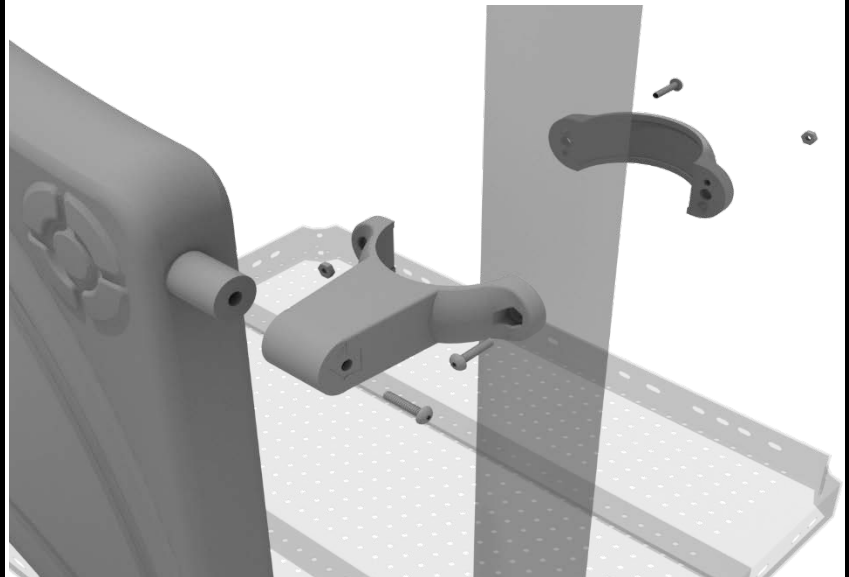
3.5-inch 90-Degree Flat Clamp

Connect half of the flat clamp to one panel using one (1) M8*40 bolt. Then, using the other half of the flat clamp and the hardware provided in the clamp hardware bag, attach the other half of the tube clamp around the post. Then, attach the next panel to the other side of the clamp using the same process.



3.5-inch Double Slide Clamp

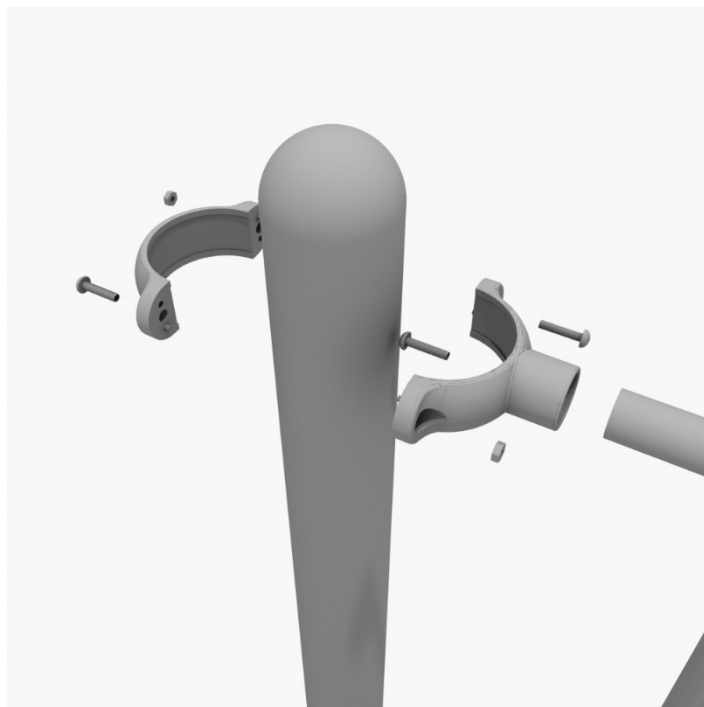
Connect half of the double slide clamp to the double slide hood using one (1) M8*30 bolt. Then, using the other half of the clamp and the hardware provided in the clamp hardware bag, attach the other half of the tube clamp around the post.



36" Transfer Station (for 3.5" post) Install

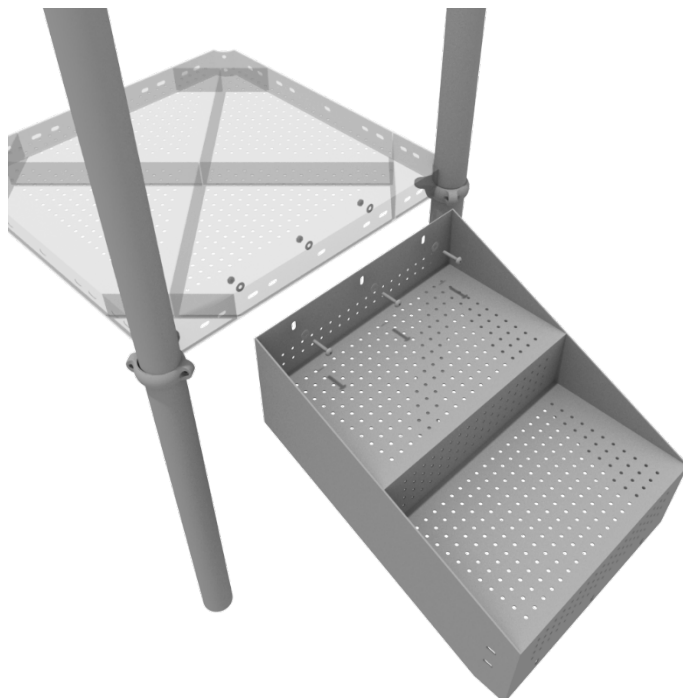
STEP: 1

Connect half of the 3.5-inch tube clamp to the handrail using one (1) M8*30 bolt. Set the handrail into place, then attach the second half of the clamp using the hardware provided in the clamp bag. Repeat this process for the other handrail.



STEP: 2

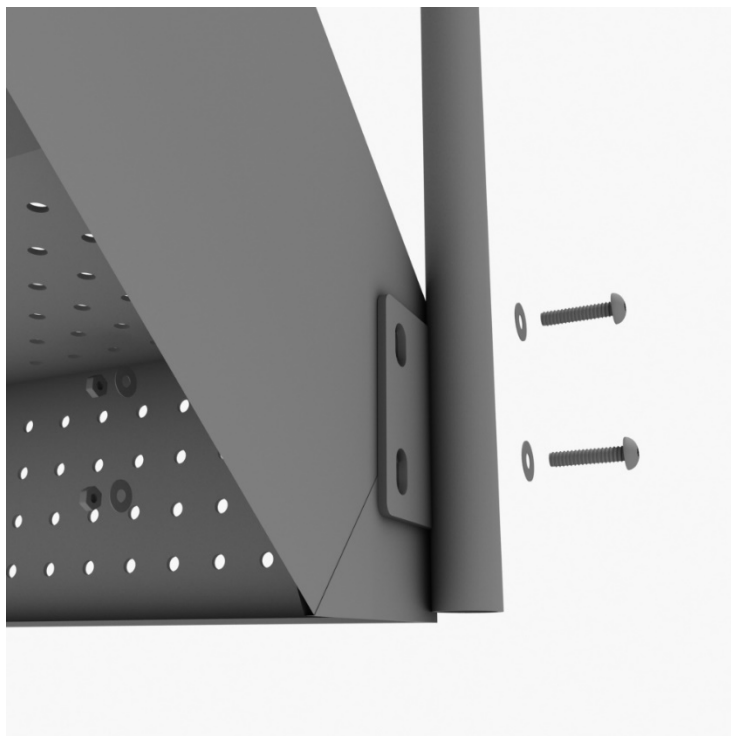
Using three (3) M10*25 bolts, six (6) M10 washers, and three (3) M10 lock nuts, attach the top of the stairs to the square deck.



36" Transfer Station (for 3.5" post) Install

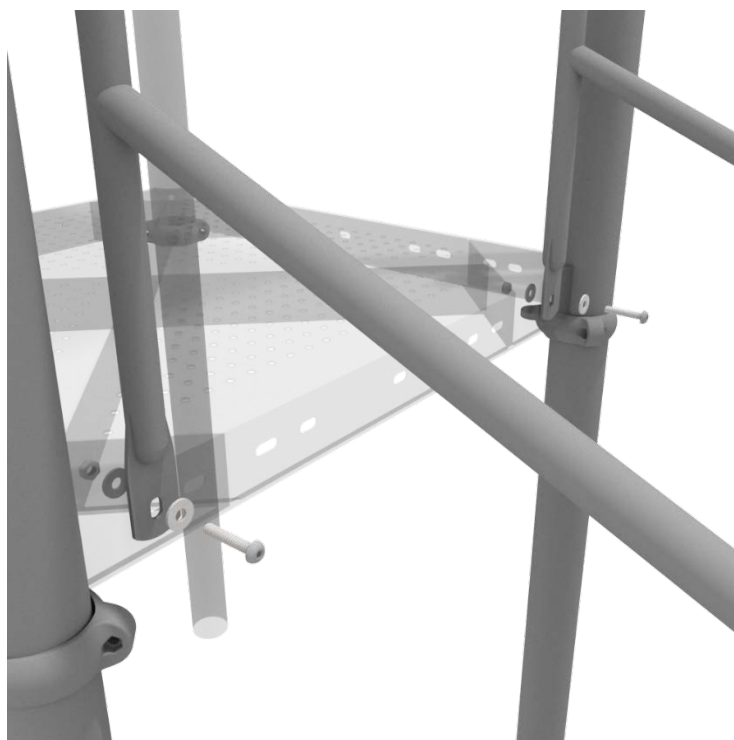
STEP: 3

Using four (4) M10*25 bolts, eight (8) M10 washers, and four (4) M10 lock nuts, connect the bottom of the handrails to the bottom of the 3-foot transfer stair.



STEP: 4

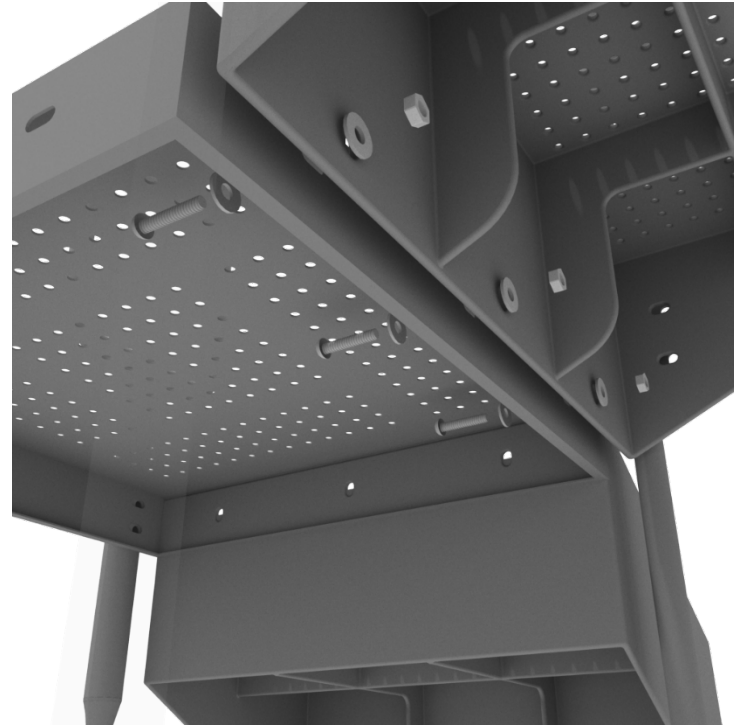
Using two (2) M10*25 bolts, four (4) M10 washers, two (2) lock nuts, attach the handrail to the square deck.



36" Transfer Station (for 3.5" post) Install

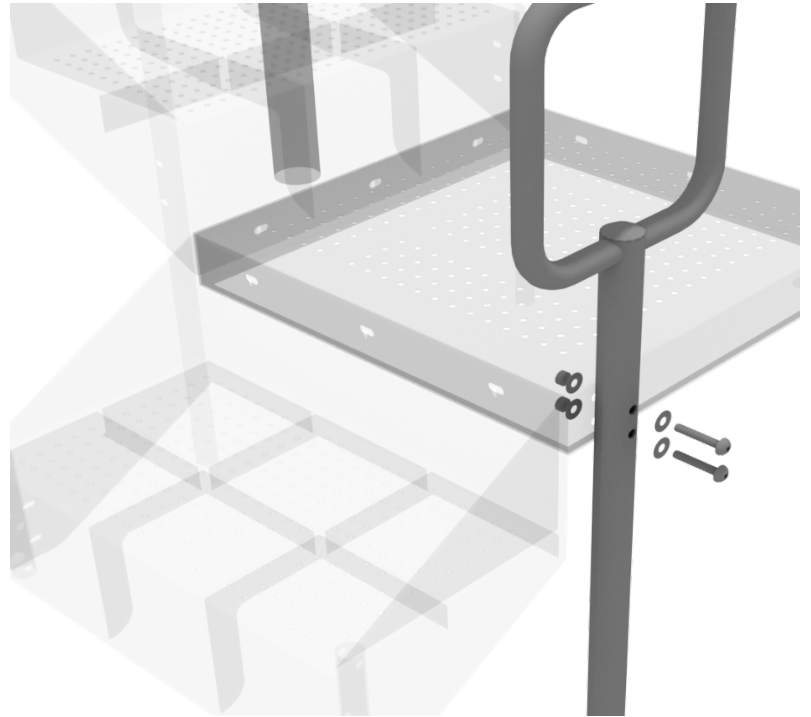
STEP: 5

Using three (3) M10*25 bolts, six (6) M10 washers, and three (3) M10 lock nuts, attach the ADA transfer deck to the base of the 3-foot ADA transfer stair.



STEP: 6

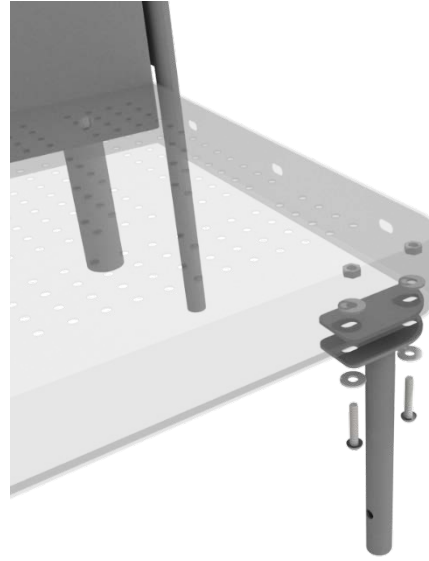
See general installation guide regarding footing information for the transfer deck handrail & mount. Using two (2) M10*65 bolts, four (4) M10 washers, and two (2) M10 lock nuts, attach the transfer handrail to the ADA transfer deck.



36" Transfer Station (for 3.5" post) Install

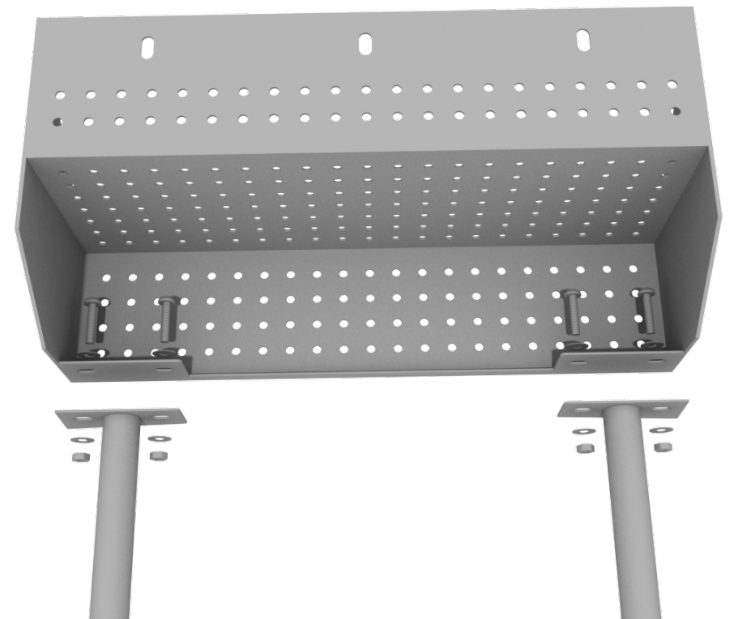
STEP: 7

Using two (2) M10*25 bolts, four (4) M10 washers, and two (2) lock nuts, attach the transfer deck mount to the ADA transfer deck.



STEP: 8

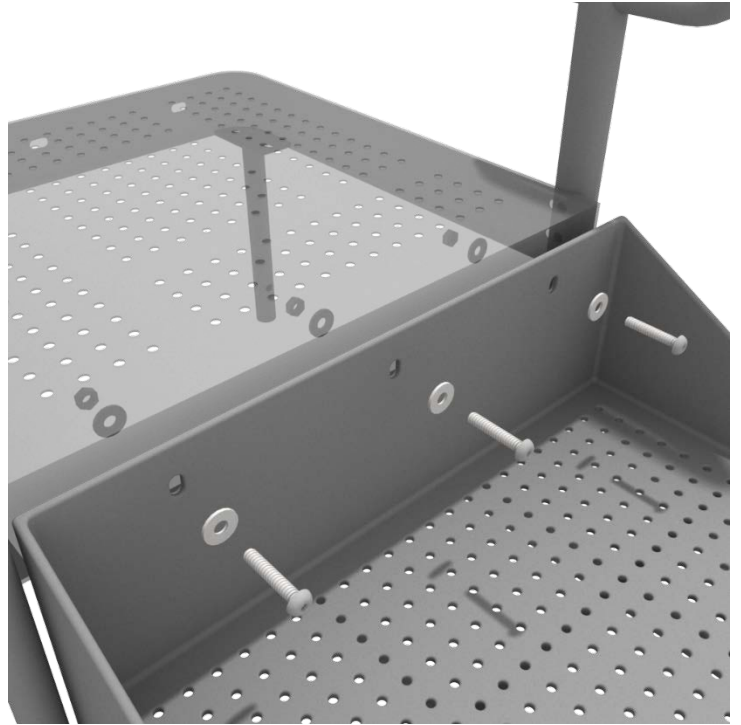
See general installation guide regarding footing information for the ADA transfer step mount. Using two (2) M10 bolts, four (4) M10 washers, and two (2) M10 lock nuts, attach the transfer step to each ADA transfer step mount.



36" Transfer Station (for 3.5" post) Install

STEP: 9

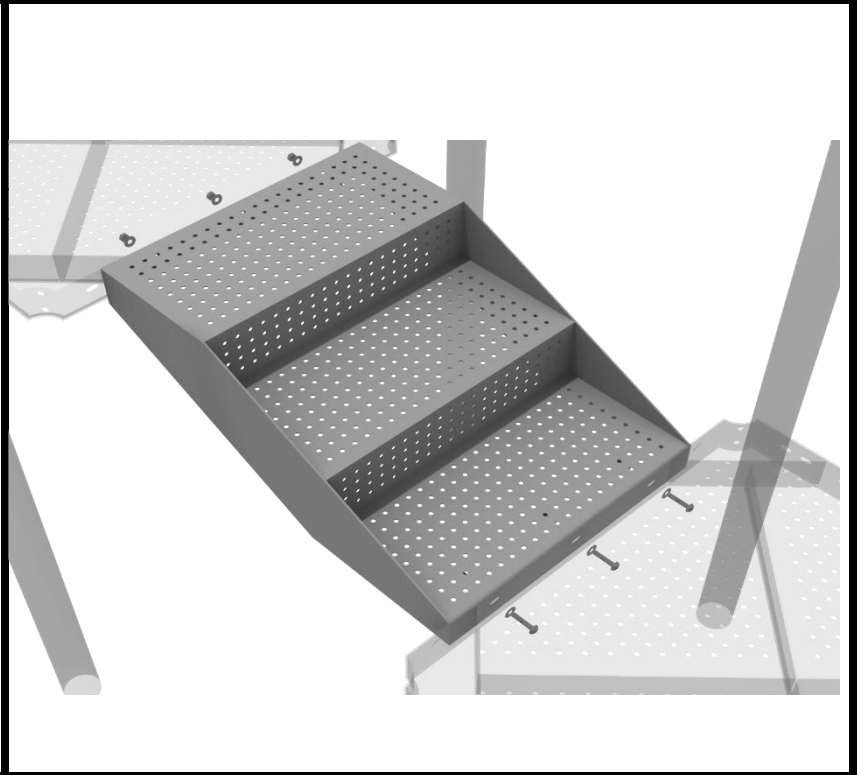
Using three (3) M10*25 bolts, six (6) M10 washers, and three (3) M10 washers, attach the top of the ADA transfer step to the ADA transfer deck.



12-inch Middle Stair Installation

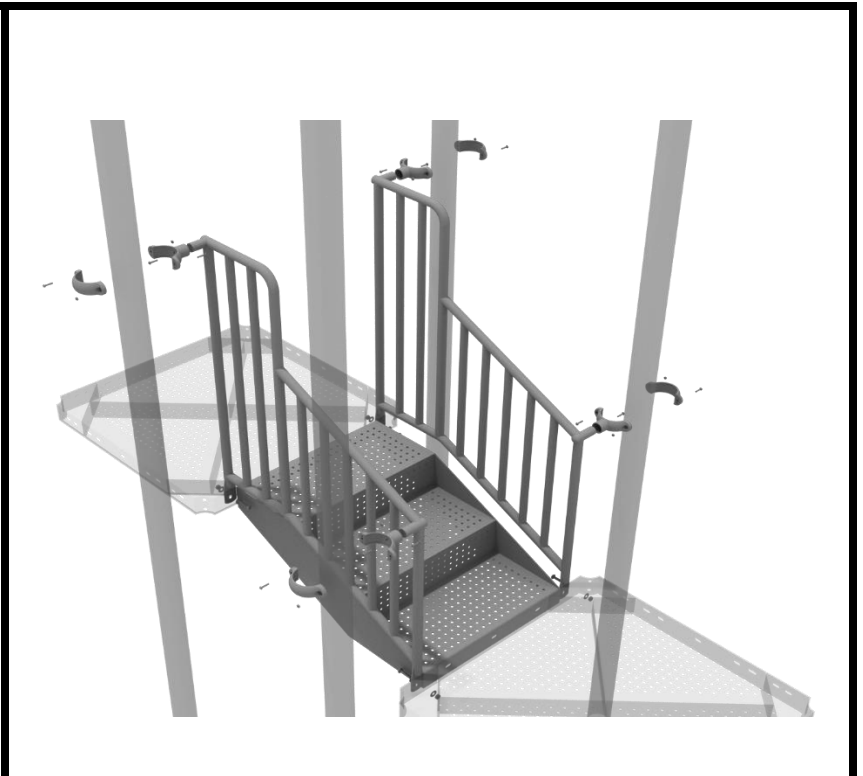
STEP: 1

Using eight (6) M10*25 bolts, twelve (12) M10 washers, and six (6) M10 lock nuts, attach the 12-inch middle stair to the assigned decks.



STEP: 2

Then, once the stair is in place, attach the 12-inch connection handrail to the posts using four (4) 3.5-inch tube clamps, and four (4) M8*30 bolts. Then, attach the bottom of the handrails to the decks using one (1) M10*25 bolt, two (2) M10 washers, and one (1) M10 lock nut for each attachment point.



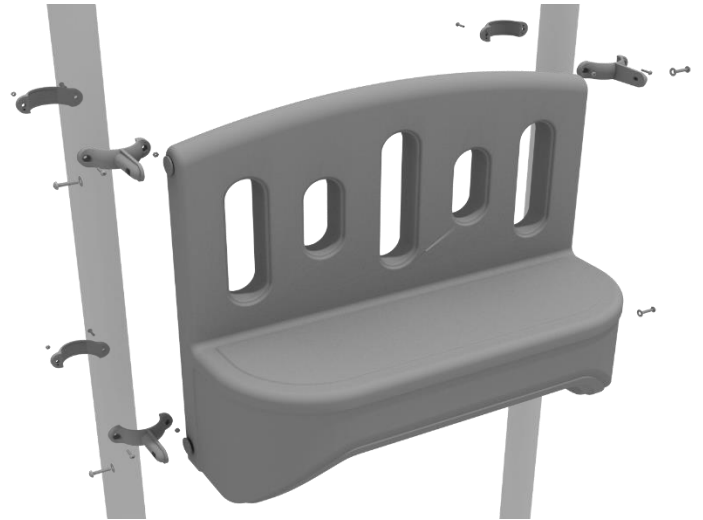
1 Playground Drive
Greenfield, IN 46140
1-800-667-0097

Created By: Aaron Price
Date: 03/29/2018

3.5inch Bench Panel Installation

STEP: 1

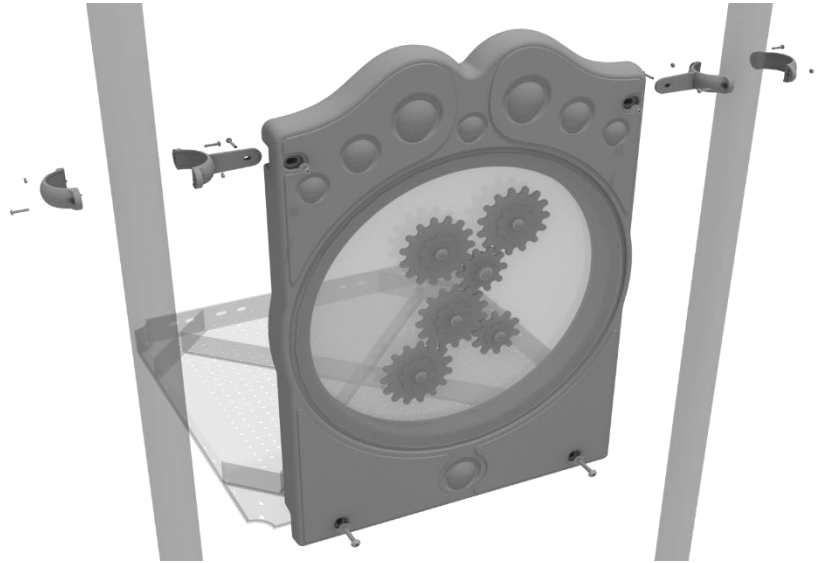
Attach the Bench Panel to the designated posts using four (4) 3.5-inch flat clamps, and four (4) M8*25 bolts.



3.5-inch Gear Panel Installation

STEP: 1

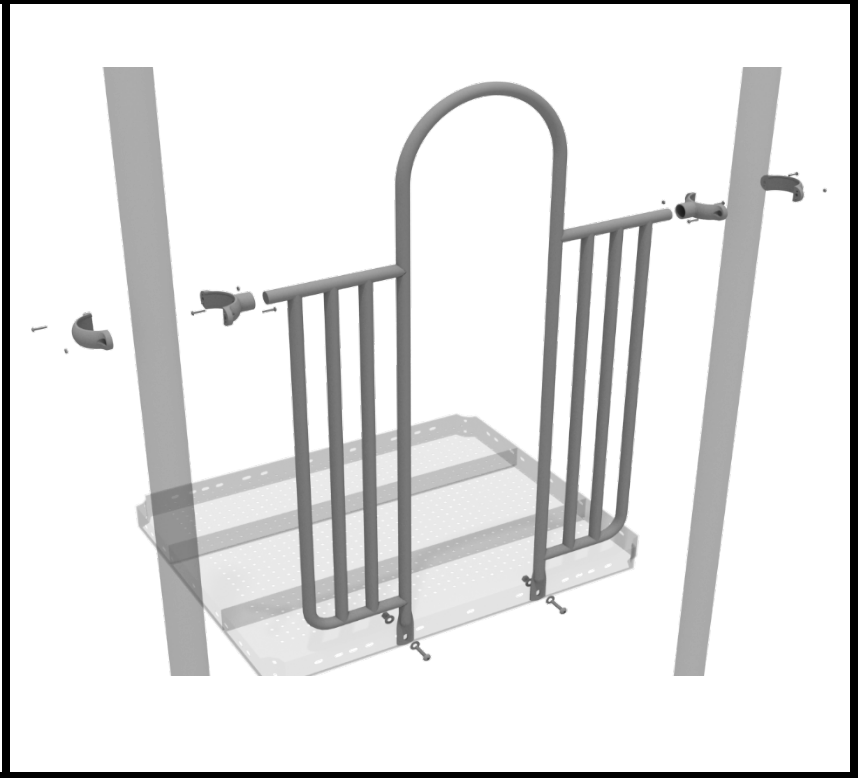
Connect the bottom of the panel to the deck using two (2) M10*50 bolts, four (4) M10 washers, and two (2) M10 lock nuts. Then attach the top of the panel to the posts using two (2) flat clamps.



4.5-inch 2-Clamp Arch Rail Installation

STEP: 1

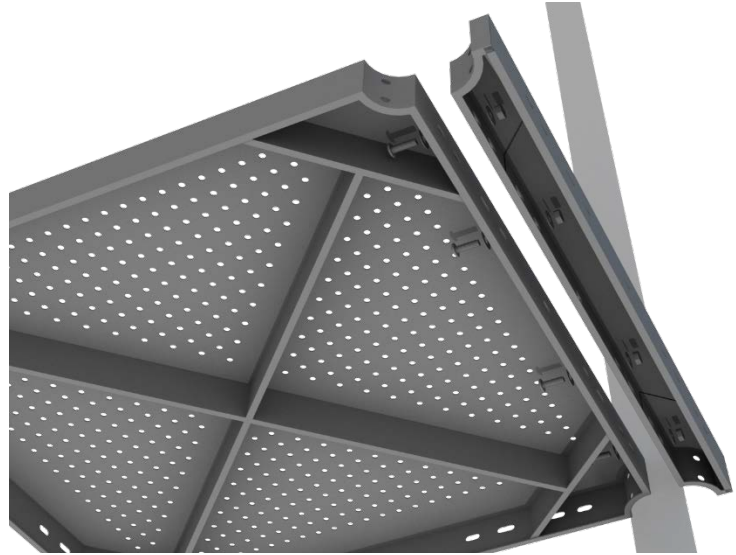
Attach the Arch Rail to the designated posts by connect half of the tube clamp to the arch rail using one (1) M8*30 bolt. Repeat this process for each post attachment point. Then, attach the rail to the deck using two (2) M10*25 bolts, four (4) M10 washers, and two (2) M10 lock nuts. Finally, attach the second half of the clamp around the post.



4-foot Double Straight Slide Installation

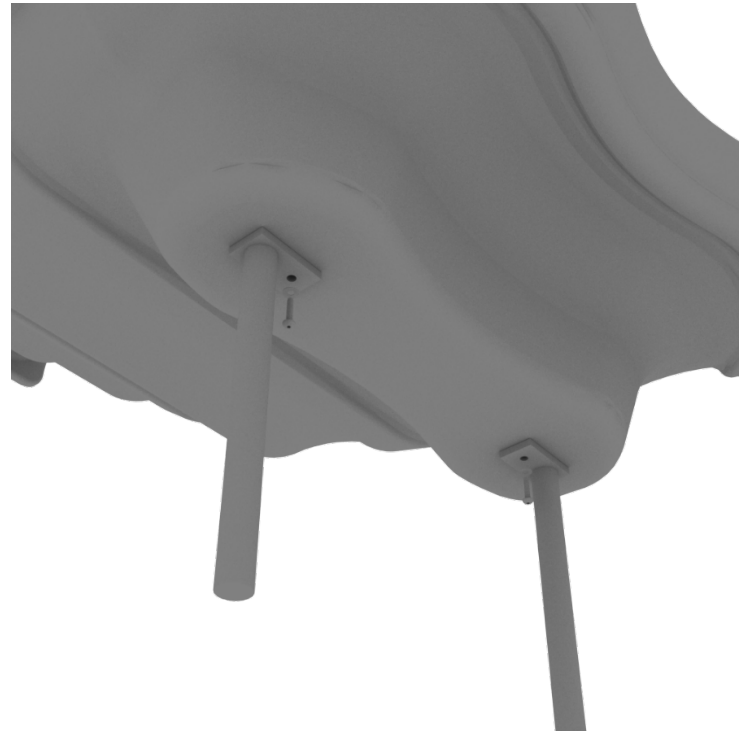
STEP: 1

Attach the deck climber extension to the proper deck using four (4) M10*25 bolts, eight (8) M10 washers, and four (4) M10 lock nuts.



STEP: 2

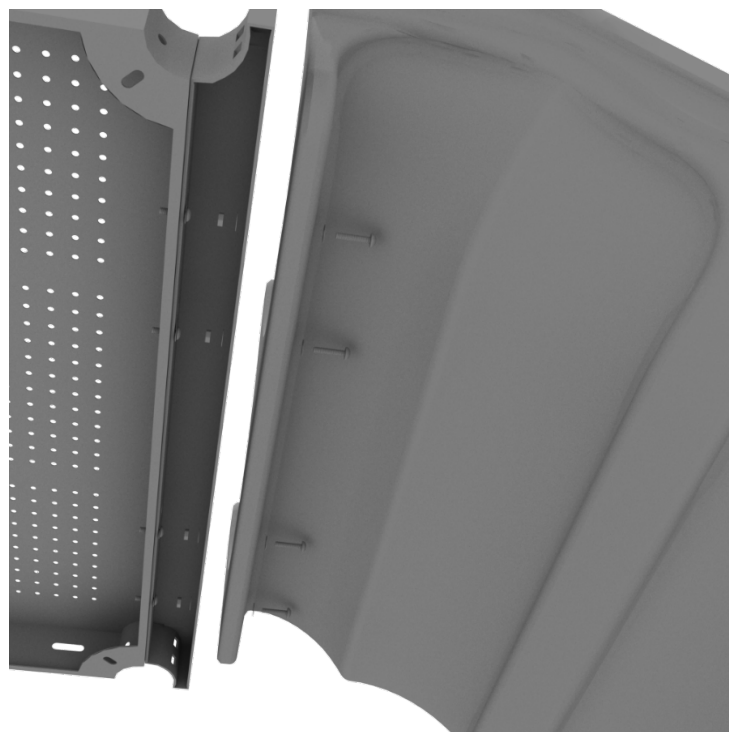
Then, See general installation guide regarding footing information for the double slide end mounts. Using two (2) M8*20 bolts, two (2) M8 spring gaskets, and two (2) M8 washers, attach the slide end mounts to the double slide.



4-foot Double Straight Slide Installation

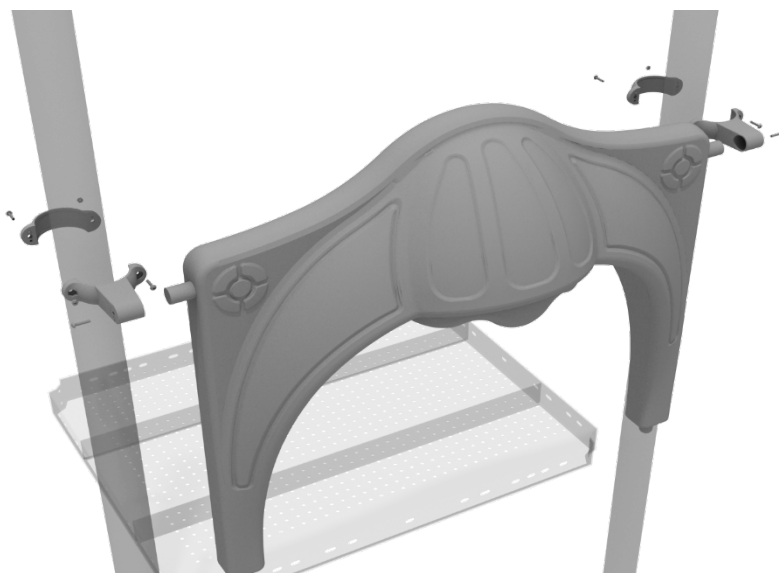
STEP: 3

Then, attach the slide to the deck extension using four (4) M10*45 bolts, eight (8) M10 washers, and four (4) M10 lock nuts.



STEP: 4

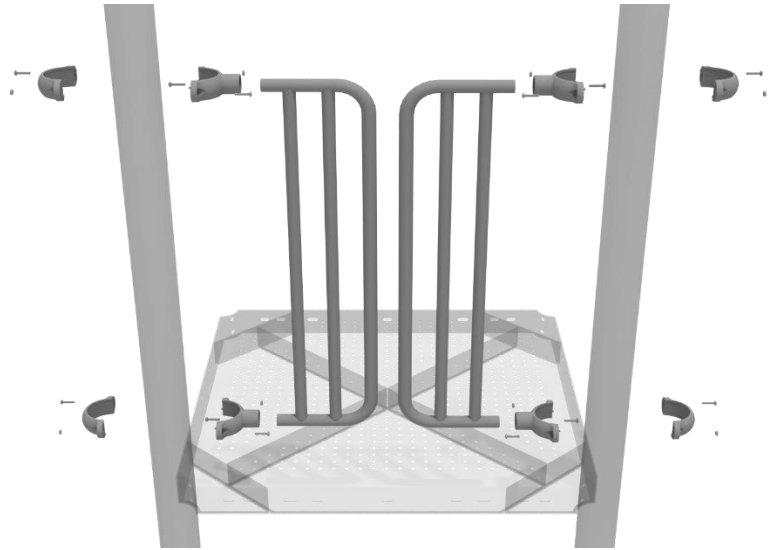
Once the slide is attached, take the double slide hood and insert hood into the top of the slide, and then attach the top using two (2) double slide clamps, and two (2) M8*30 bolts.



D-Rail Installation

STEP: 1

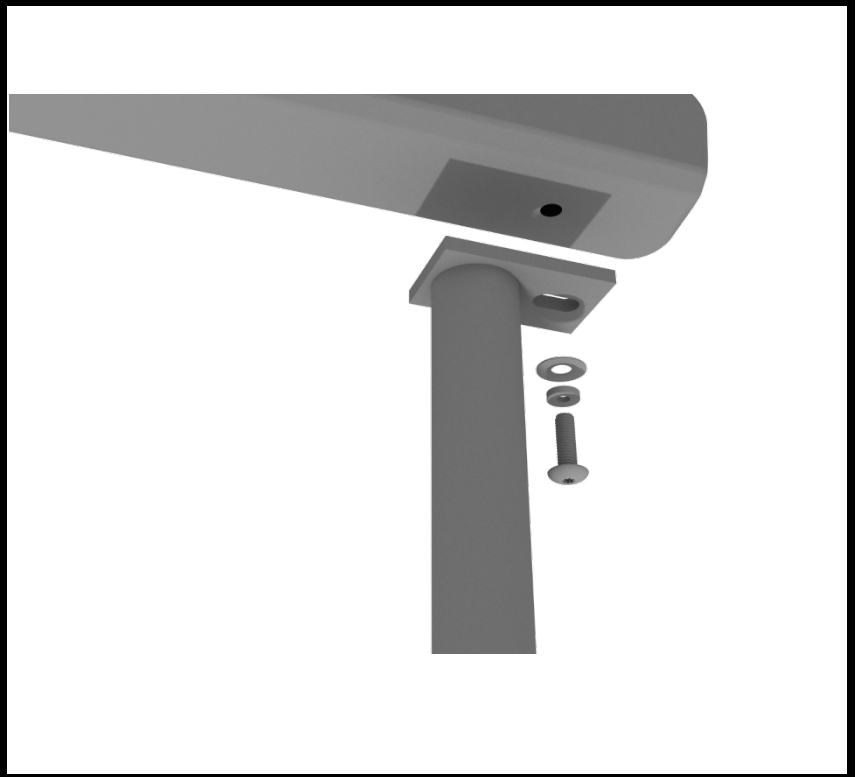
Take two (2) 3.5-inch tube clamps and connect half of the clamps both ends of the D-Rail using one (1) M8*30 bolt. Then, using the other half of the tube clamp and the hardware provided in the clamp hardware bag, attach the other half of the tube clamp around the post to the D-Rail. Repeat this process for the other D-Rail.



Ocean Climber Installation

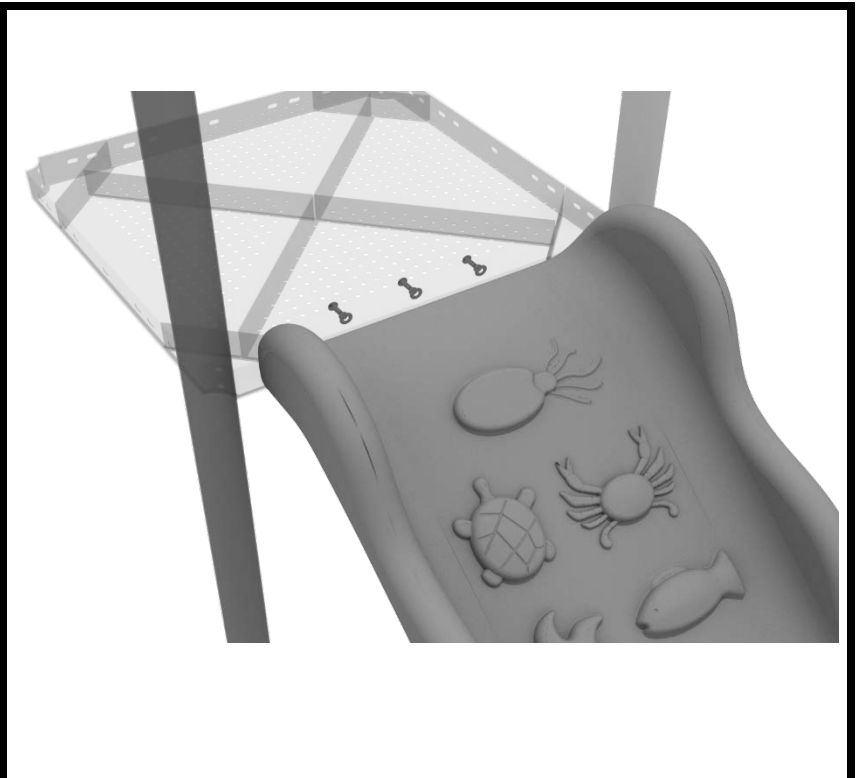
STEP: 1

See general installation guide regarding footing information for the ocean climber. Using two (2) M10*20 bolts, two (2) M10 spring gaskets, and two (2) M10 washers, attach the bottom of the ocean climber to the climber end mounts.



STEP: 2

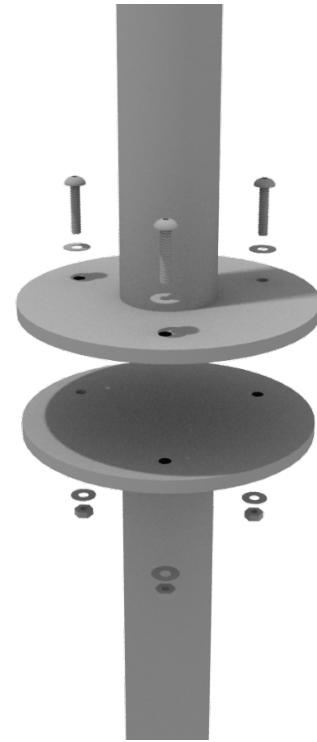
Using three (3) M10*20 bolts, three (3) M10 spring gaskets, and three (3) M10 washers, attach the ocean climber to the square deck.



Pod Climber Installation

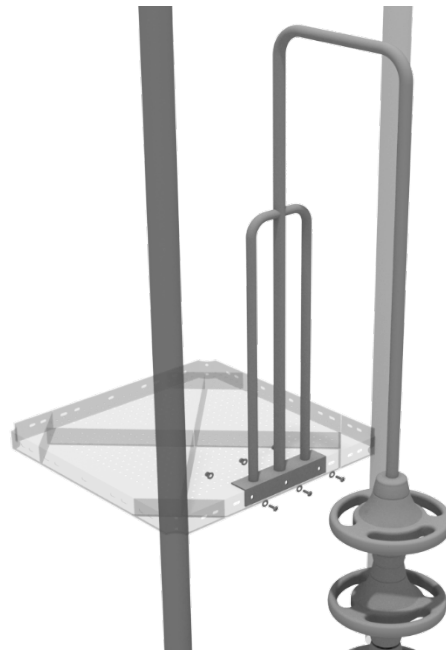
STEP: 1

See general installation guide regarding footing information for the pod climber. Attach the circle end mount to the bottom of the climber using the pre-attached hardware. Each attachment uses three (3) M10*20 bolts, three (3) M10 spring gaskets, and one (3) M10 large gaskets.



STEP: 2

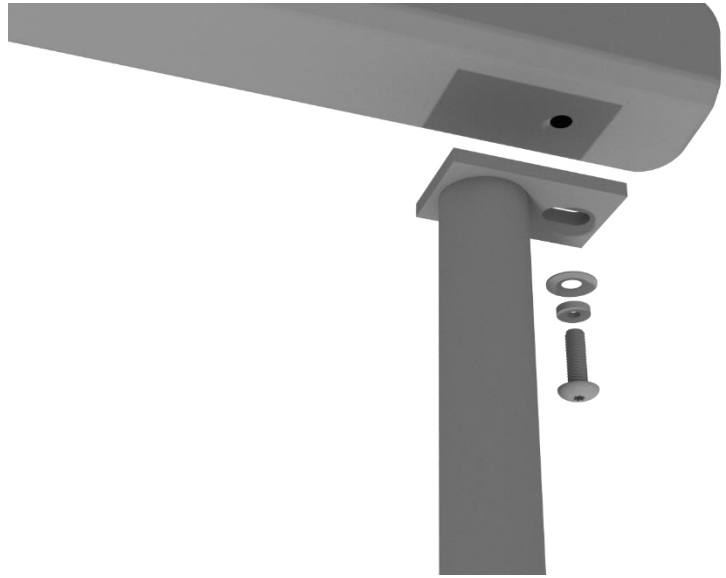
Using three (3) M10*25 bolts, six (6) M10 washers, and three (3) M10 lock nuts, attach the pod climber to the deck.



Sea Creature Climber Installation

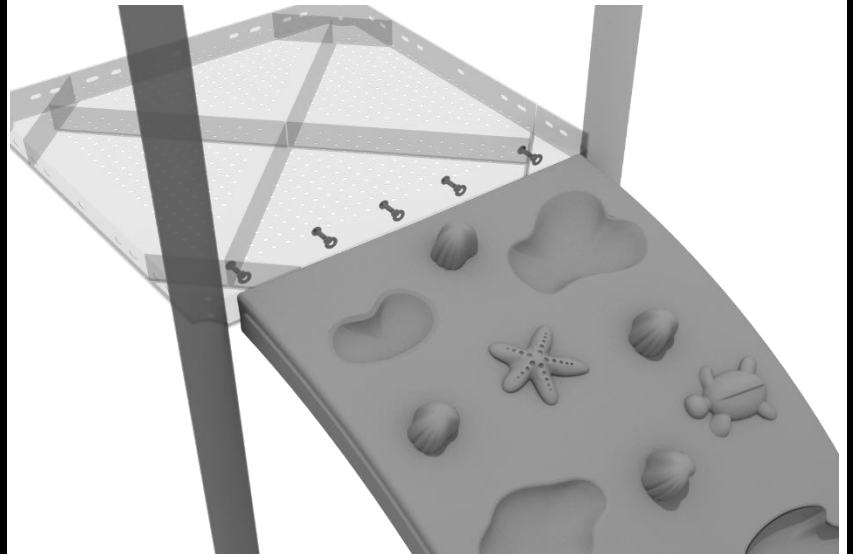
STEP: 1

See general installation guide regarding footing information for the Sea Creature climber. Using two (2) M10*20 bolts, two (2) M10 spring gaskets, and two (2) M10 washers, attach the bottom of the Sea Creature climber to the climber support posts.



STEP: 2

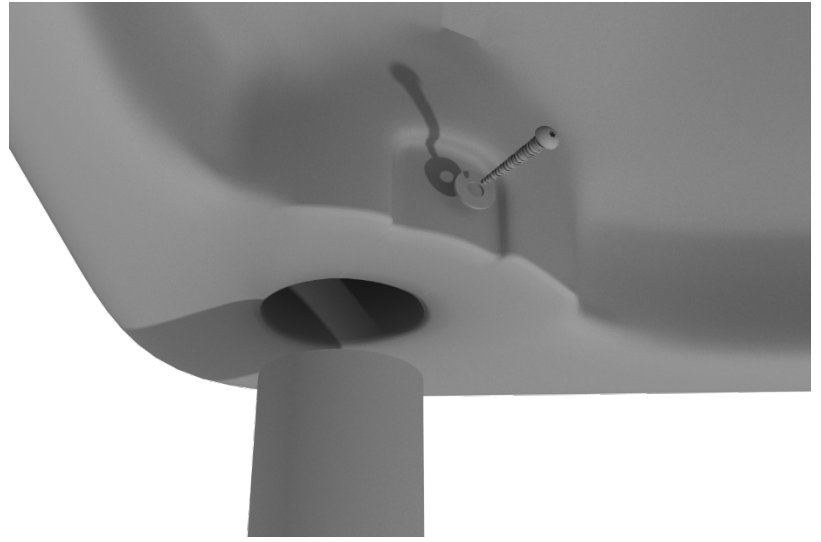
Then using five (5) M10*20 bolts, five (5) M10 spring gaskets, and five (5) M10 washers, attach the top of the Sea Creature climber to the deck.



Line Roof Installation

STEP: 1

Set the line roof on top of the posts. Take four (4) self-tapping screws and drill them through the notch at each corner of the roof, into the support posts.



Rain Wheel Installation

STEP: 1

Detach half of the tube clamp connected to the Rain Wheel, and re-attach the clamp around the support post, as shown in the picture. Recommended install height is 20 to 36 inches above surfacing depending on age range.

