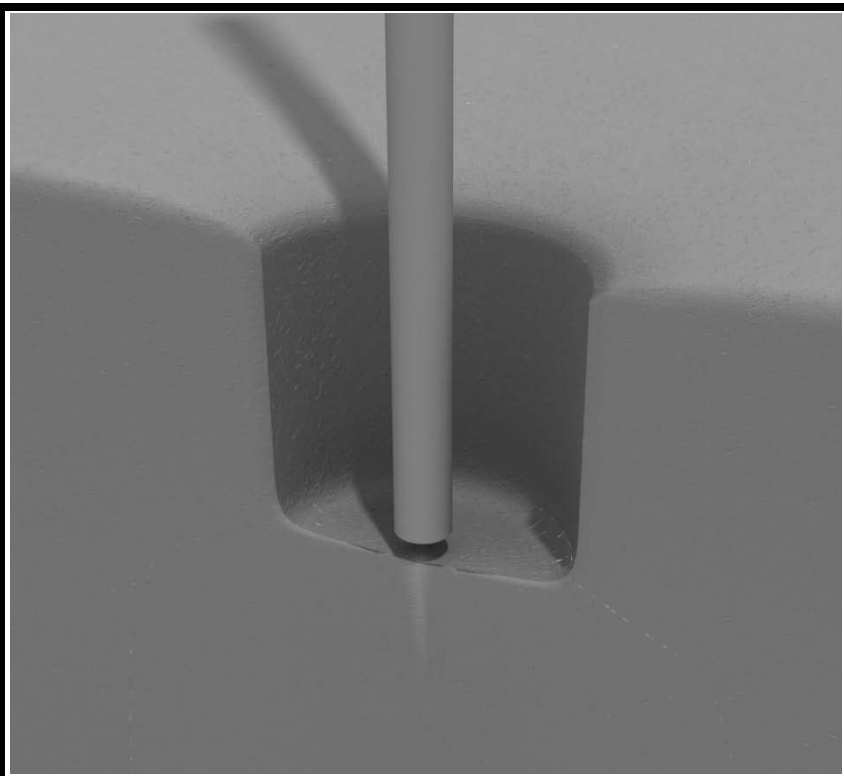


STEP: 1

**DO NOT CEMENT POSTS INTO PLACE
UNTIL THE ENTIRE STRUCTURE IS
ASSEMBLED.**

Refer to the General Installation
guide footing information and dig
proper holes for the support posts.



Square Deck Installation

STEP: 1

After the posts are in place, using four (4) M10*35 bolts, eight (8) M10 washers, and four (4) M10 lock nuts, attach each square deck to each pre-attached deck clamp as shown in the image.

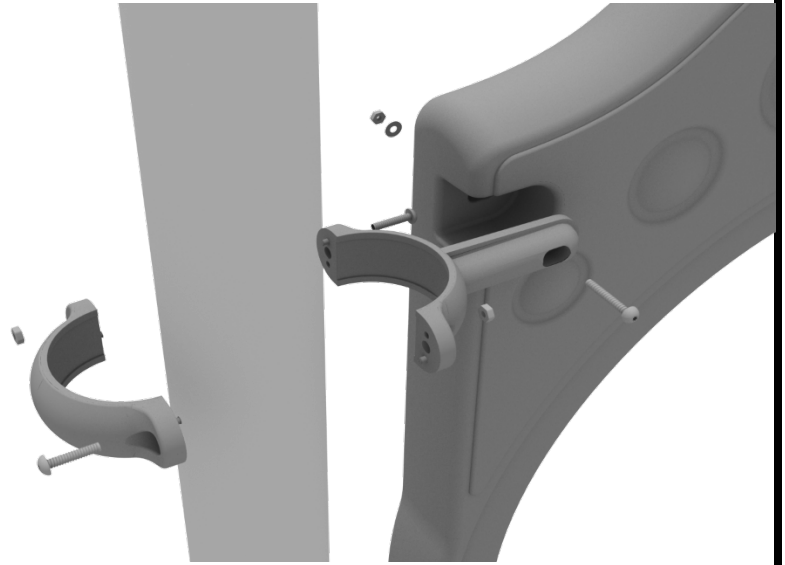
Deck clamps are pre-attached to the posts and should not be altered in any way.



3.5-inch Clamp Installation Guide

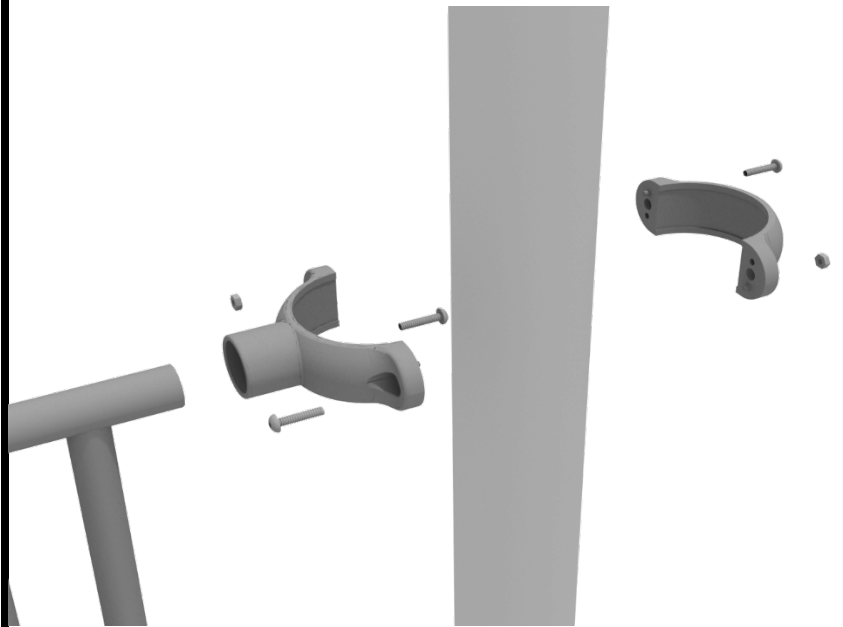
3.5-inch Flat Clamp

Connect half of the flat clamp to the component using one (1) M8*40 bolt. Then, using the other half of the flat clamp and the hardware provided in the clamp hardware bag, attach the other half of the tube clamp around the post.



3.5-inch Tube Clamp

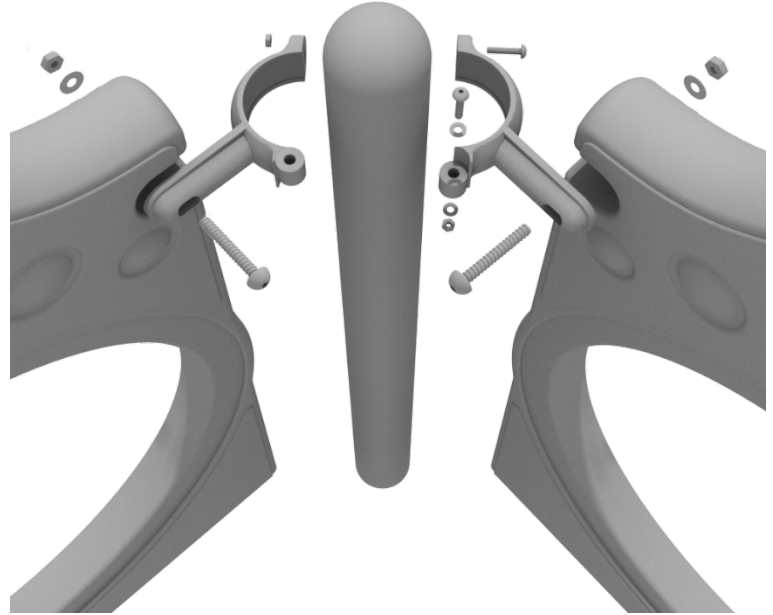
Connect half of the clamp to the component using one (1) M8*30 bolt. Then, using the other half of the tube clamp and the hardware provided in the clamp hardware bag, attach the other half of the tube clamp around the post.



3.5-inch Clamp Installation Guide

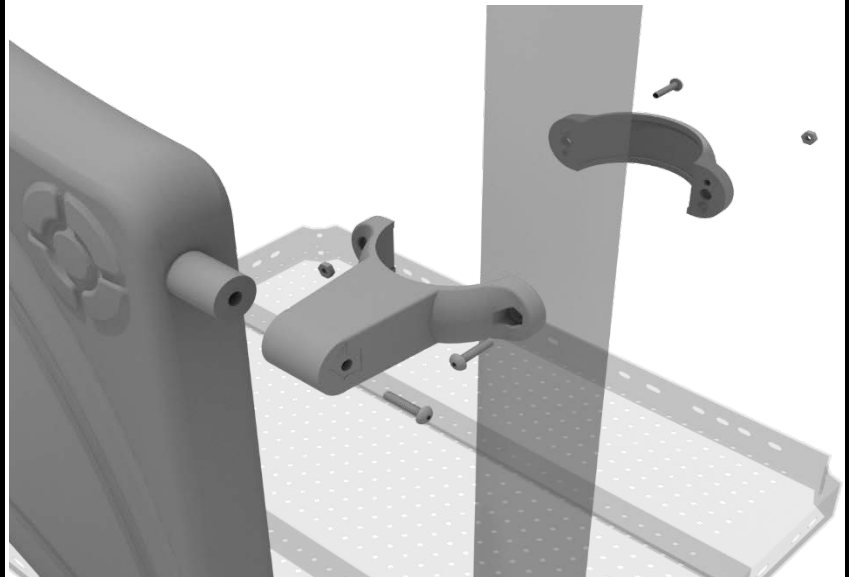
3.5-inch 90-Degree Flat Clamp

Connect half of the flat clamp to one panel using one (1) M8*40 bolt. Then, using the other half of the flat clamp and the hardware provided in the clamp hardware bag, attach the other half of the tube clamp around the post. Then, attach the next panel to the other side of the clamp using the same process.



3.5-inch Double Slide Clamp

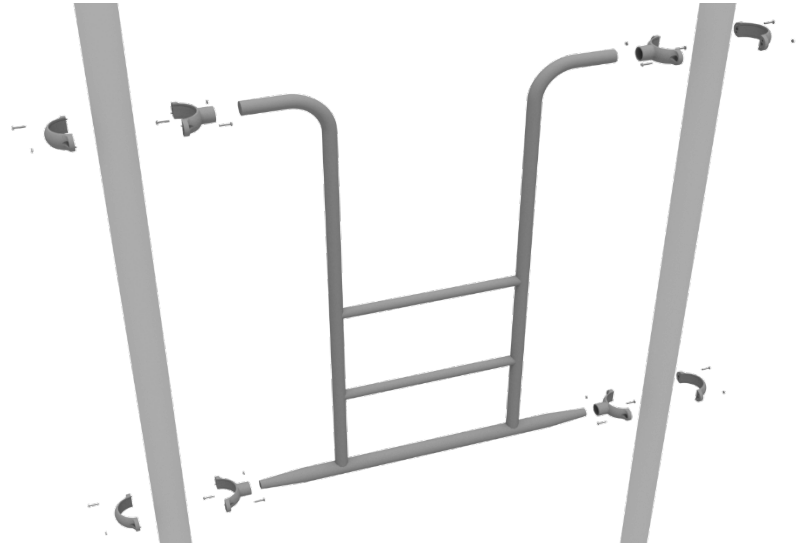
Connect half of the double slide clamp to the double slide hood using one (1) M8*30 bolt. Then, using the other half of the clamp and the hardware provided in the clamp hardware bag, attach the other half of the tube clamp around the post.



Overhead Access Ladder Installation

STEP: 1

Attach the Overhead Access Ladder to the designated posts by connect half of the tube clamp to the ladder using one (1) M8*30 bolt. Repeat this process for each attachment point. Set the ladder into place, then attach the second half of the clamp around the post.

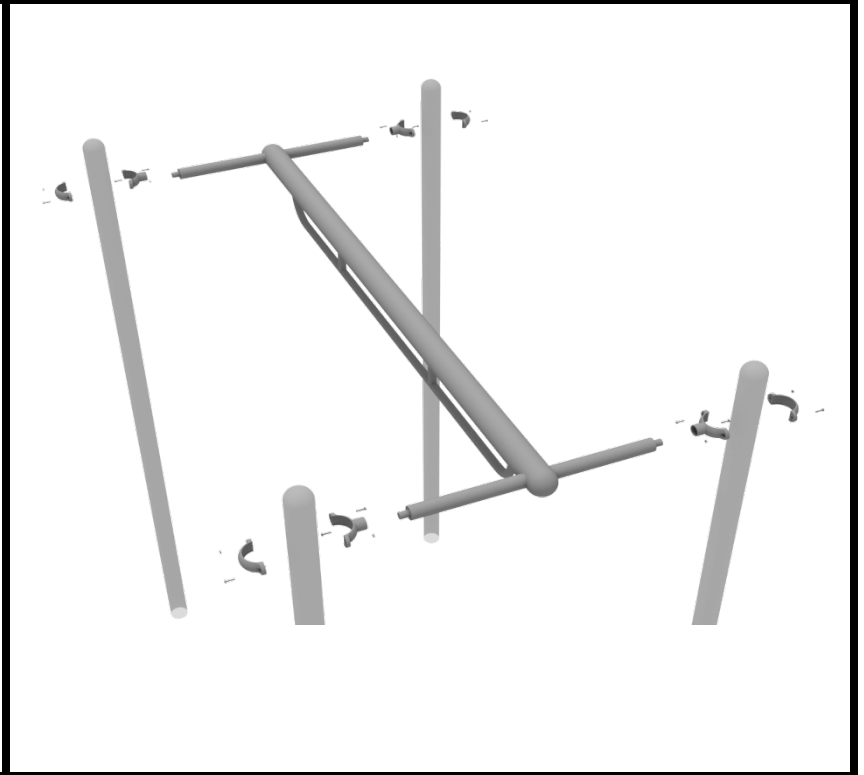


Overhead Single Bar Installation

STEP: 1

Attach the Overhead Single Bar Ladder to the designated posts by connect half of the tube clamp to the ladder using one (1) M8*30 bolt.

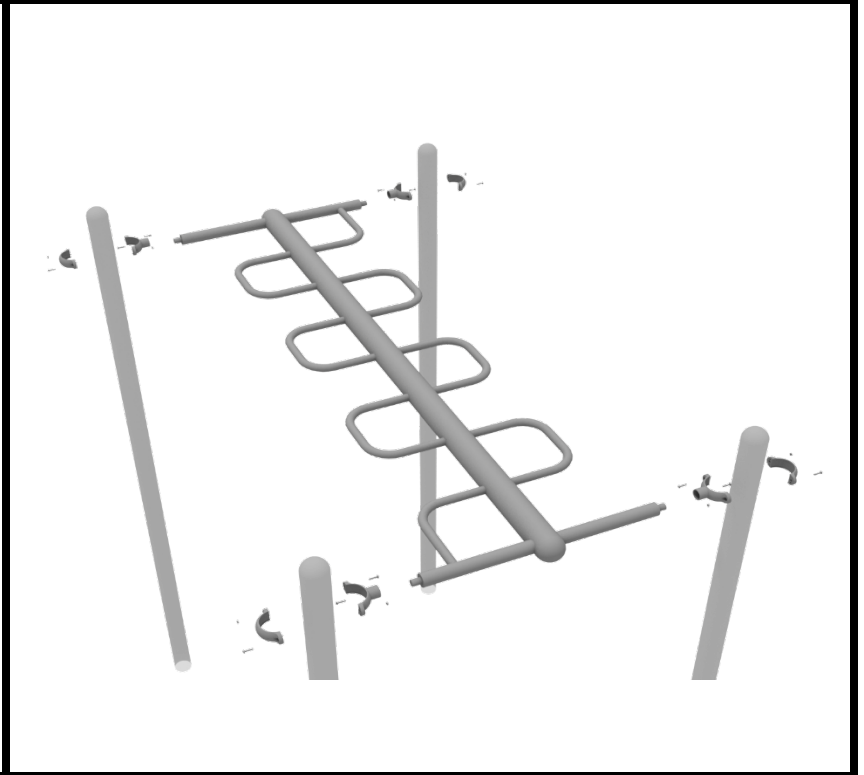
Repeat this process for each attachment point. Set the ladder into place, then attach the second half of the clamp around the post.



Overhead Snake Loop Ladder Installation

STEP: 1

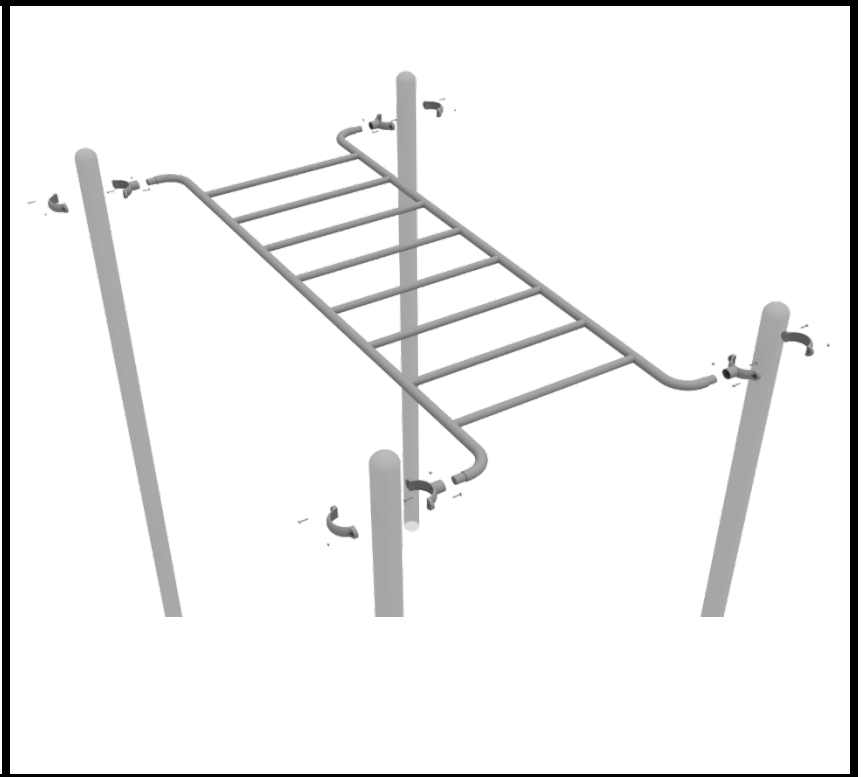
Attach the Overhead Snake Ladder to the designated posts by connect half of the tube clamp to the ladder using one (1) M8*30 bolt. Repeat this process for each attachment point. Set the ladder into place, then attach the second half of the clamp around the post.



Straight Rung Overhead Ladder Installation

STEP: 1

Attach the Overhead Straight Ladder to the designated posts by connect half of the tube clamp to the ladder using one (1) M8*30 bolt. Repeat this process for each attachment point. Set the ladder into place, then attach the second half of the clamp around the post.



Overhead Straight Trapezoid Installation

STEP: 1

Attach the Overhead Straight Trapezoid Ladder to the designated posts by connect half of the tube clamp to the ladder using one (1) M8*30 bolt. Repeat this process for each attachment point. Set the ladder into place, then attach the second half of the clamp around the post.

