

## STEP: 1

**DO NOT CEMENT POSTS INTO PLACE  
UNTIL THE ENTIRE STRUCTURE IS  
ASSEMBLED.**

Refer to the General Installation  
guide footing information and dig  
proper holes for the support posts.



# Square Deck Installation

## STEP: 1

After the posts are in place, using four (4) M10\*35 Bolts, eight (8) M10 Washers, and four (4) M10 Lock Nuts, attach each square deck to each pre-attached deck clamp as shown in the image.

Deck clamps are pre-attached to the posts and should not be altered in any way.



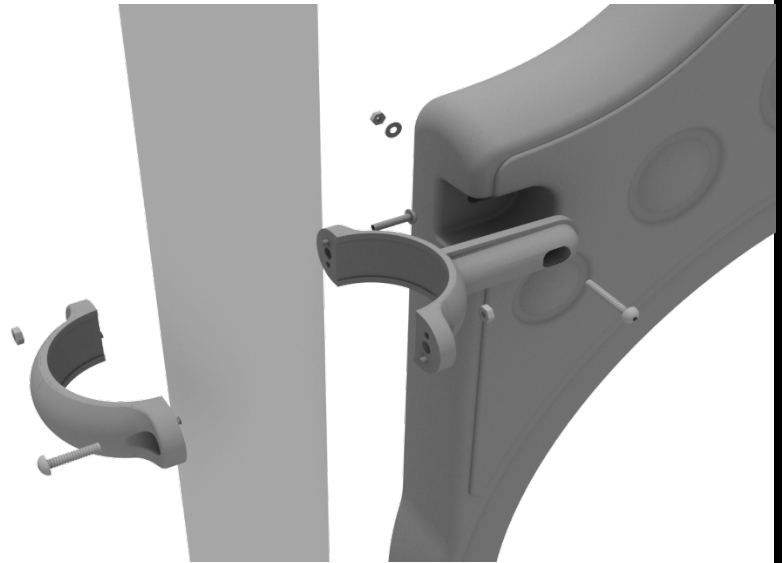
## 3.5-inch Clamp Installation Examples

The following three pages will include examples of how to install some of the most common types of Clamps that are present on our structures that use 3.5-inch outside diameter posts. The structure that you are assembling might not require all the types of clamps listed in these examples.

The Install Guides for specific components that come later in this document might call for a specific type of clamp (a tube clamp for example), those sections will not include detailed instructions for the clamps and should direct you back to this section for more detailed information.

### 3.5-inch Flat Clamp Install Example

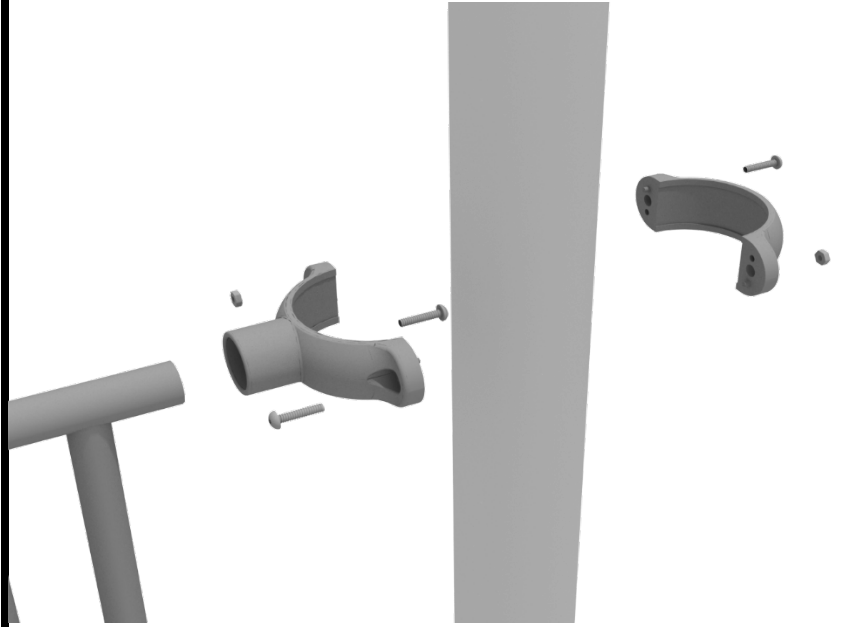
Connect half of the flat clamp to the component using one (1) M8\*40 bolt. Then, using the other half of the flat clamp and the hardware provided in the clamp hardware bag, attach the backside of the flat clamp around the post.



## 3.5-inch Clamp Installation Examples

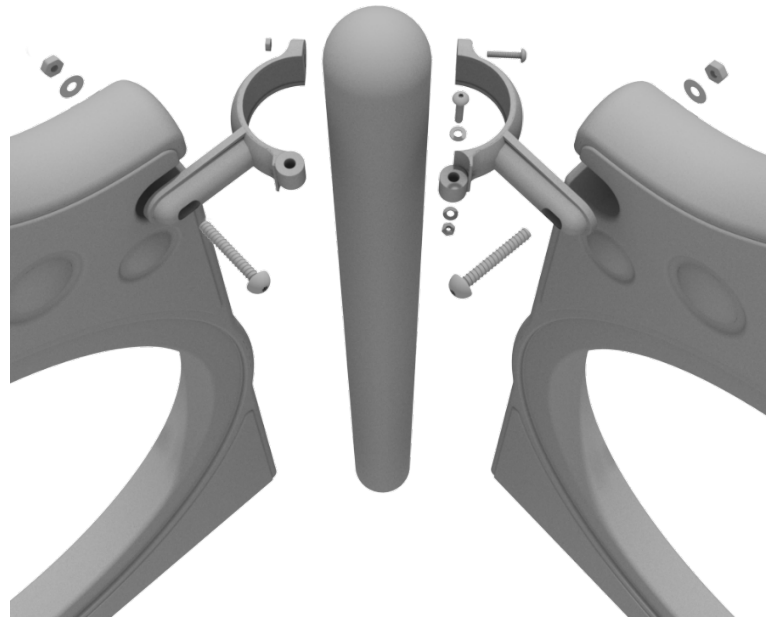
### 3.5-inch Tube Clamp Install Example

Connect half of the clamp to the component using one (1) M8\*30 bolt. Then, using the other half of the tube clamp and the hardware provided in the clamp hardware bag, attach the backside of the tube clamp around the post.



### 3.5-inch 90-Degree Flat Clamp Install Example

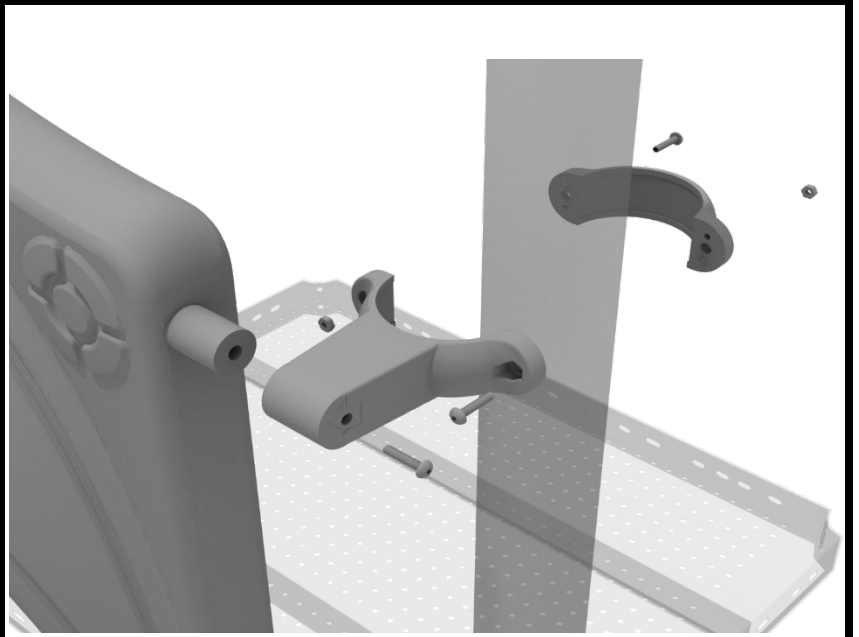
Connect half of the flat clamp to one panel using one (1) M8\*40 bolt. Then, using the other half of the flat clamp and the hardware provided in the clamp hardware bag, attach the other half of the tube clamp around the post. Then, attach the next panel to the other side of the clamp using the same process.



## 3.5-inch Clamp Installation Examples

### 3.5-inch Double Slide Clamp Install Example

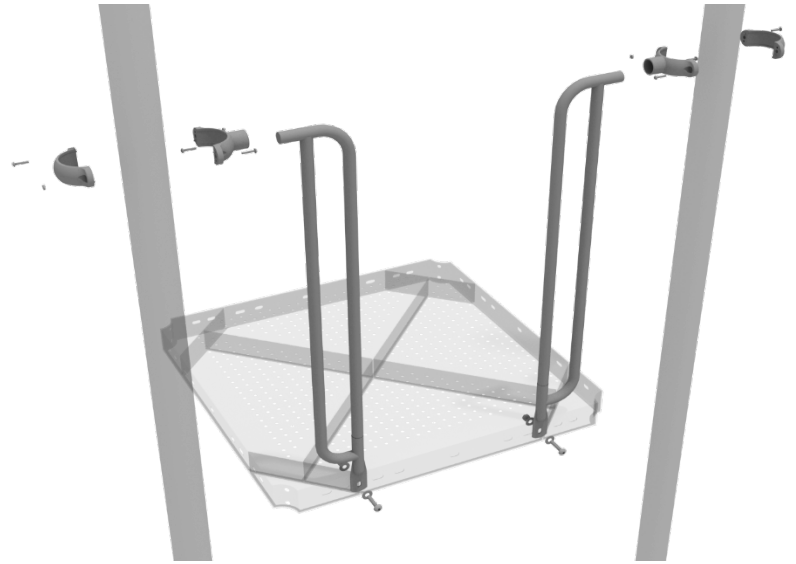
Connect half of the double slide clamp to the double slide hood using one (1) M8\*30 bolt. Then, using the other half of the clamp and the hardware provided in the clamp hardware bag, attach the backside of the double slide clamp around the post.



# 7-Rail Installation

## STEP: 1

Attach each 7-Rail to the designated posts using one (1) tube clamp and one (1) M8\*30 Bolt. Then, attach the bottom of the 7-Rail to the deck using one (1) M10\*25 Bolt, two (2) M10 Washers, and one (1) M10 Lock Nut.



# Swinging Ring Ladder Installation

## STEP: 1

Attach the Overhead Swinging Ring Ladder to the designated posts by connect half of the tube clamp to the ladder using one (1) M8\*30 bolt.

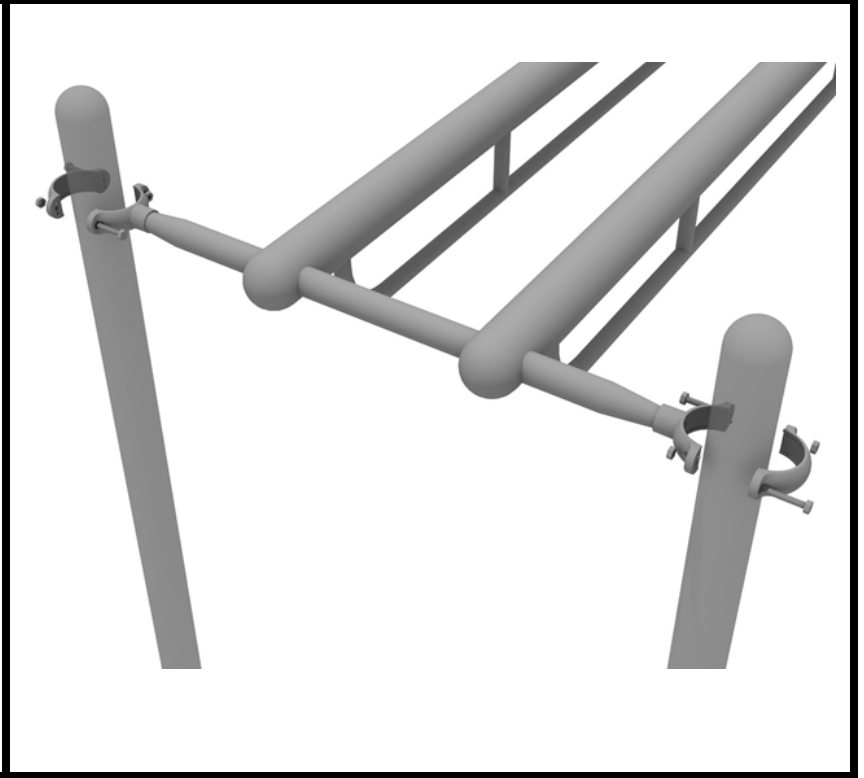
Repeat this process for each attachment point. Set the climber into place, then attach the second half of the clamp around the post.



# Overhead Double Parallel Bar Installation

## STEP: 1

Attach the Overhead Double Parallel Bar Ladder to the designated posts by connecting half of the tube clamp to the ladder using one (1) M8\*30 bolt. Repeat this process for each attachment point. Set the ladder into place, then attach the second half of the clamp around the post.

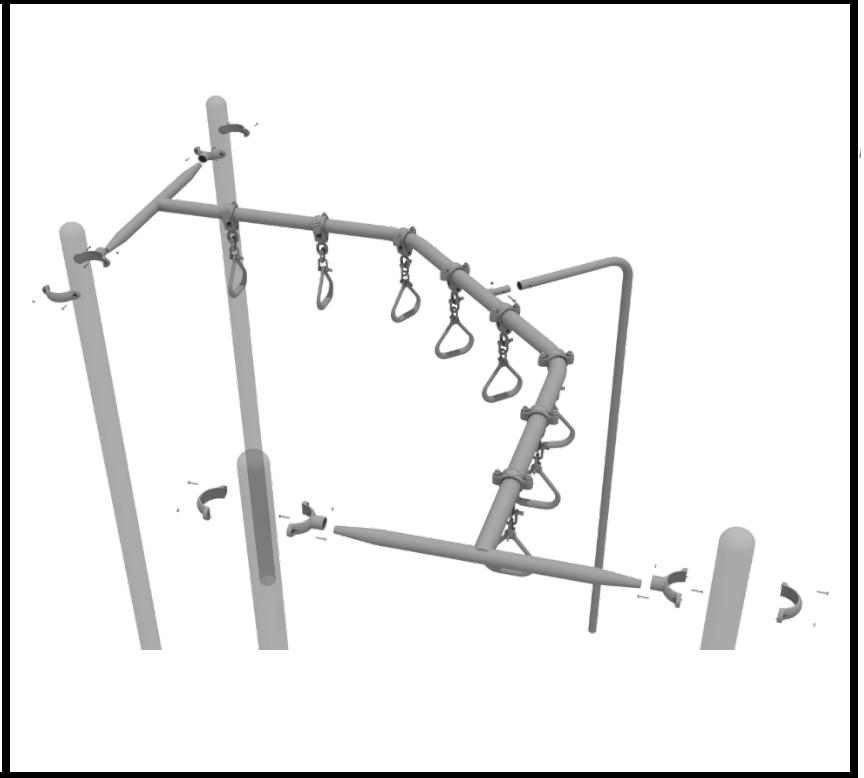




## STEP: 1

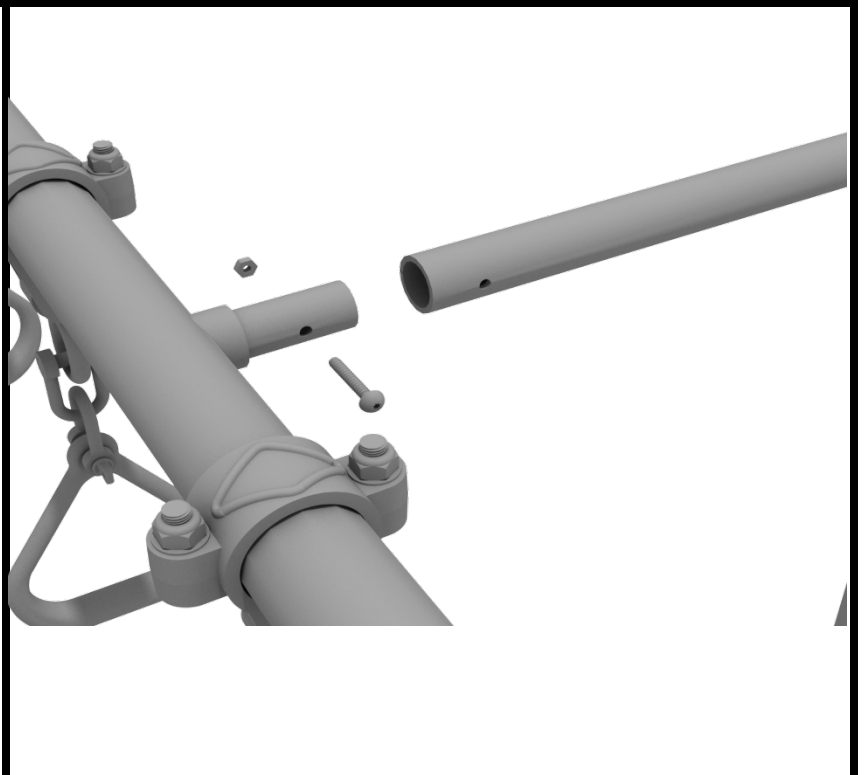
Attach the Overhead Swinging Ring Ladder to the designated posts by connect half of the tube clamp to the ladder using one (1) M8\*30 bolt.

Repeat this process for each attachment point. Set the ladder into place, then attach the second half of the clamp around the post.



## STEP: 2

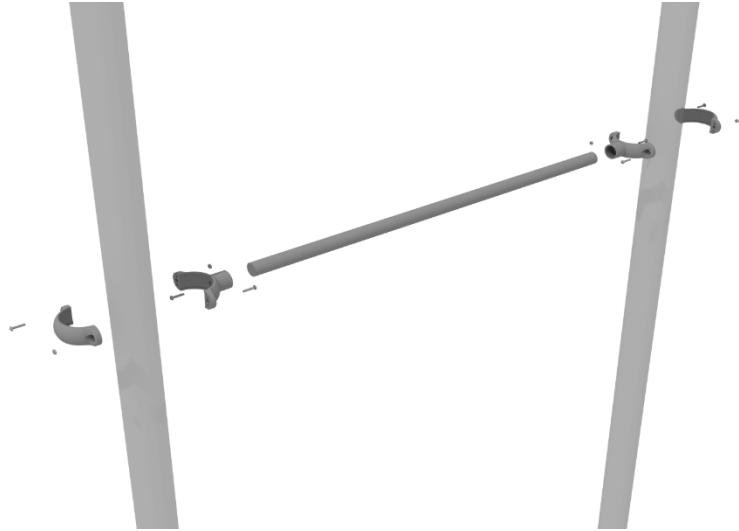
See general installation guide regarding footing information for the climber support post. Using one (1) M10\*50 bolt and one (1) M10 lock nut, attach the climber support to the overhead climber.



# Chin Up Bar Install

## STEP: 1

Connect the Chin up Bar to the designated post using two (2) 3.5-inch tube clamps.



# Straight Rung Overhead Ladder Installation

## STEP: 1

Attach the Overhead Straight Ladder to the designated posts by connect half of the tube clamp to the ladder using one (1) M8\*30 bolt. Repeat this process for each attachment point. Set the ladder into place, then attach the second half of the clamp around the post.

