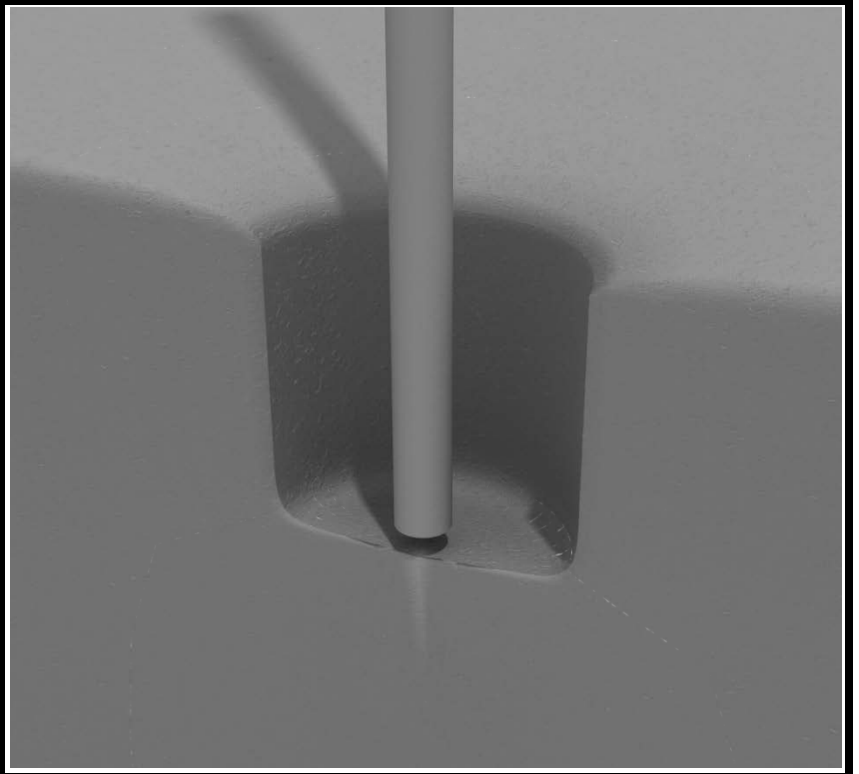


STEP: 1

**DO NOT CEMENT POSTS INTO PLACE
UNTIL THE ENTIRE STRUCTURE IS
ASSEMBLED.**

Refer to the General Installation
guide footing information and dig
proper holes for the support posts.



Square Deck Installation

STEP: 1

After the posts are in place, using four (4) M10*35 Bolts, eight (8) M10 Washers, and four (4) M10 Lock Nuts, attach each square deck to each pre-attached deck clamp as shown in the image.

Deck clamps are pre-attached to the posts and should not be altered in any way.



Rectangle Deck Installation

STEP: 1

After the posts are in place, using four (4) M10*35 bolts, eight (8) M10 washers, and four (4) M10 lock nuts, attach the rectangle deck to each pre-attached deck clamp as shown in the image.

Deck clamps are pre-attached to the posts and should not be altered in any way.



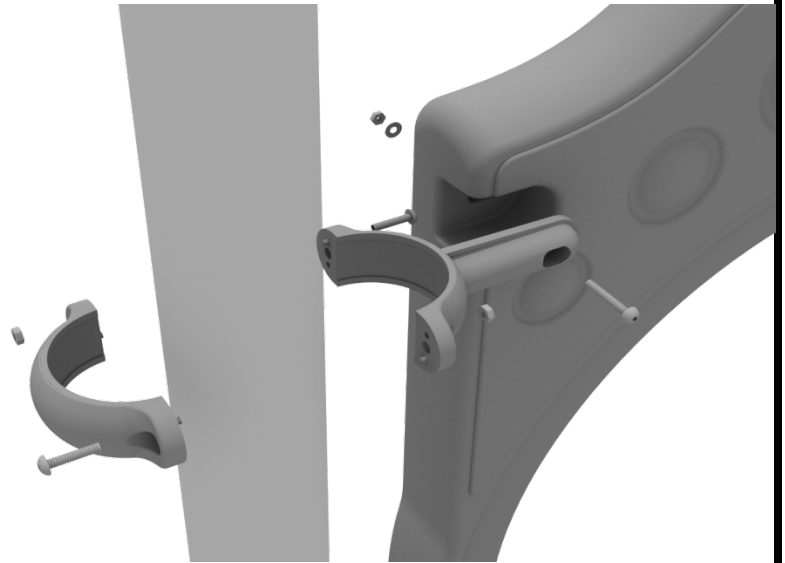
3.5-inch Clamp Installation Examples

The following three pages will include examples of how to install some of the most common types of Clamps that are present on our structures that use 3.5-inch outside diameter posts. The structure that you are assembling might not require all the types of clamps listed in these examples.

The Install Guides for specific components that come later in this document might call for a specific type of clamp (a tube clamp for example), those sections will not include detailed instructions for the clamps and should direct you back to this section for more detailed information.

3.5-inch Flat Clamp Install Example

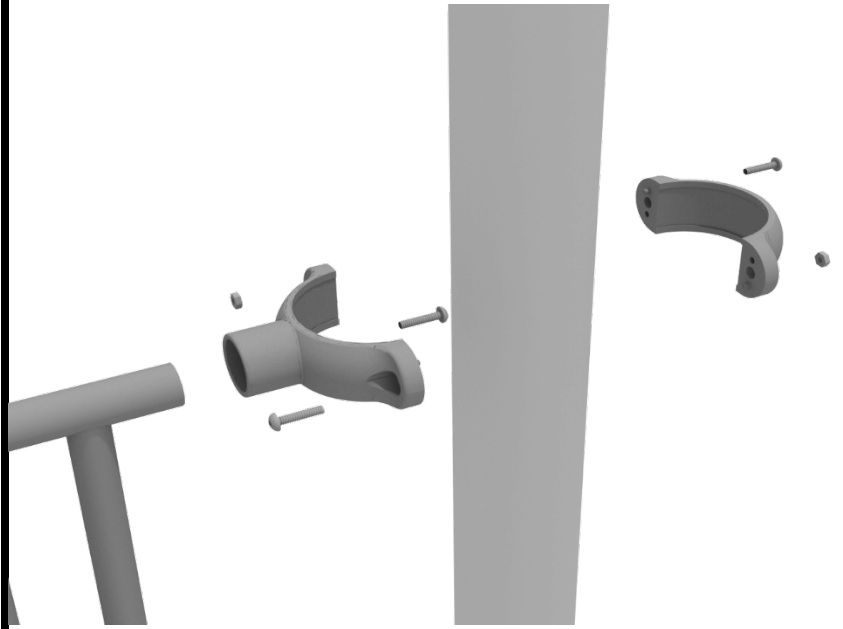
Connect half of the flat clamp to the component using one (1) M8*40 bolt. Then, using the other half of the flat clamp and the hardware provided in the clamp hardware bag, attach the backside of the flat clamp around the post.



3.5-inch Clamp Installation Examples

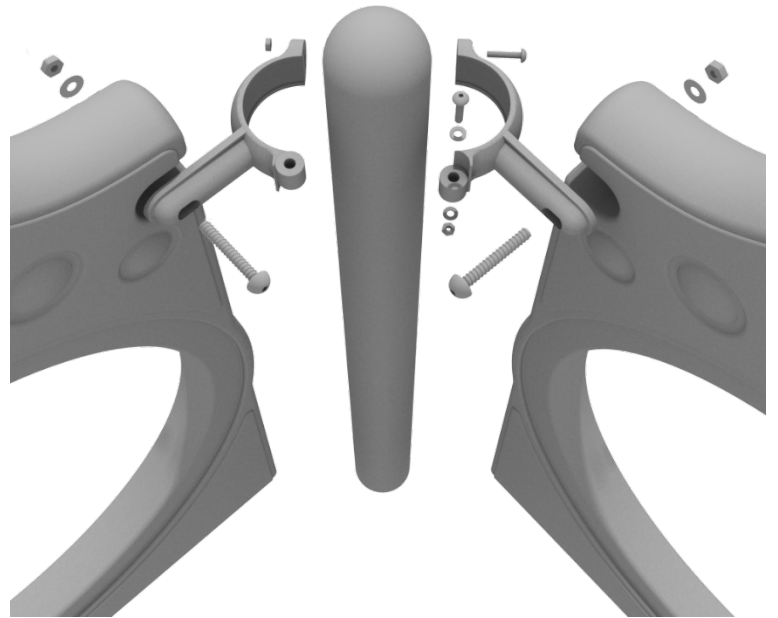
3.5-inch Tube Clamp Install Example

Connect half of the clamp to the component using one (1) M8*30 bolt. Then, using the other half of the tube clamp and the hardware provided in the clamp hardware bag, attach the backside of the tube clamp around the post.



3.5-inch 90-Degree Flat Clamp Install Example

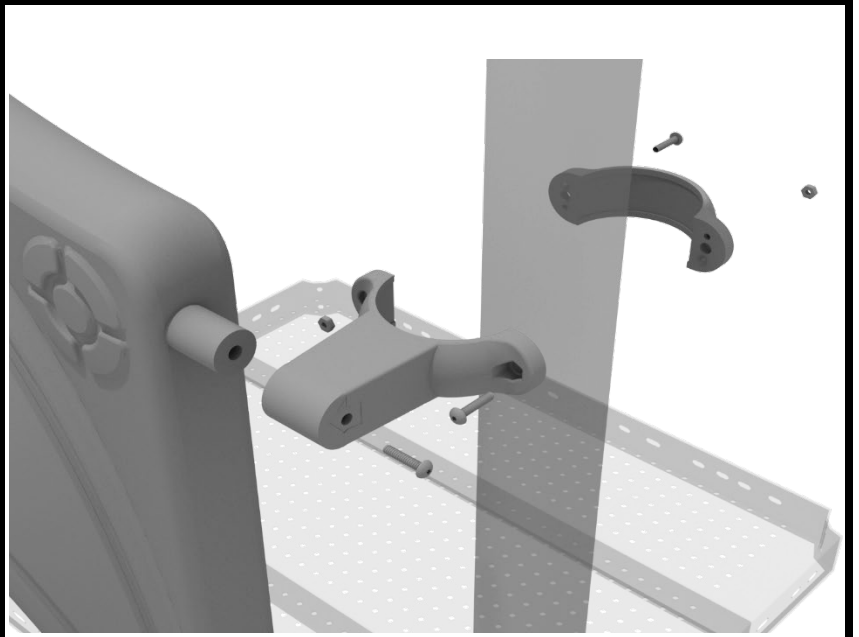
Connect half of the flat clamp to one panel using one (1) M8*40 bolt. Then, using the other half of the flat clamp and the hardware provided in the clamp hardware bag, attach the other half of the tube clamp around the post. Then, attach the next panel to the other side of the clamp using the same process.



3.5-inch Clamp Installation Examples

3.5-inch Double Slide Clamp Install Example

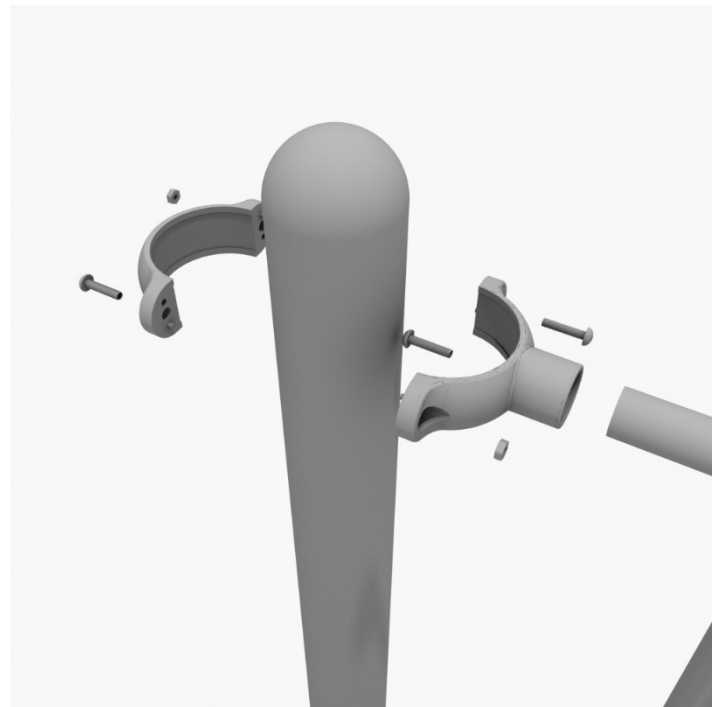
Connect half of the double slide clamp to the double slide hood using one (1) M8*30 bolt. Then, using the other half of the clamp and the hardware provided in the clamp hardware bag, attach the backside of the double slide clamp around the post.



36" Transfer Station (for 3.5" post) Install

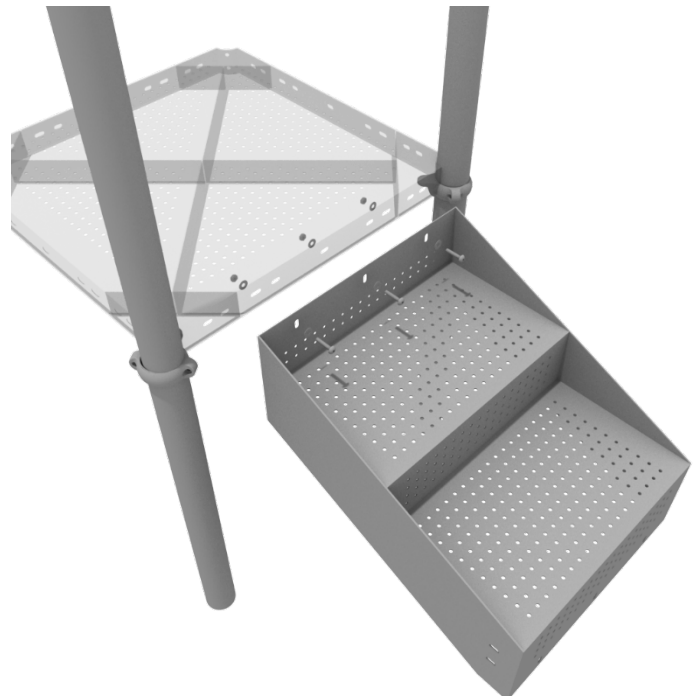
STEP: 1

Connect half of the 3.5-inch tube clamp to the handrail using one (1) M8*30 bolt. Set the handrail into place, then attach the second half of the clamp using the hardware provided in the clamp bag. Repeat this process for the other handrail.



STEP: 2

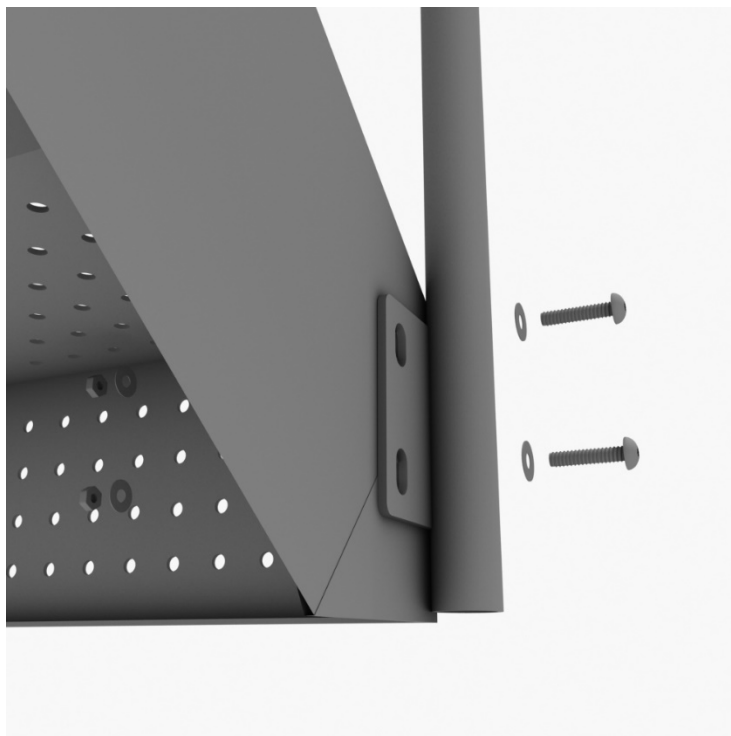
Using three (3) M10*25 bolts, six (6) M10 washers, and three (3) M10 lock nuts, attach the top of the stairs to the square deck.



36" Transfer Station (for 3.5" post) Install

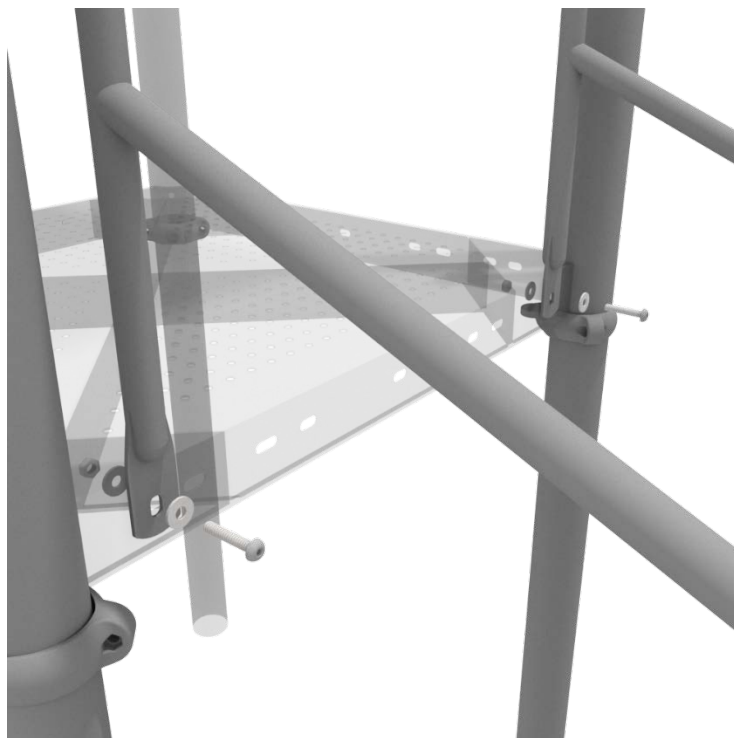
STEP: 3

Using four (4) M10*25 bolts, eight (8) M10 washers, and four (4) M10 lock nuts, connect the bottom of the handrails to the bottom of the 3-foot transfer stair.



STEP: 4

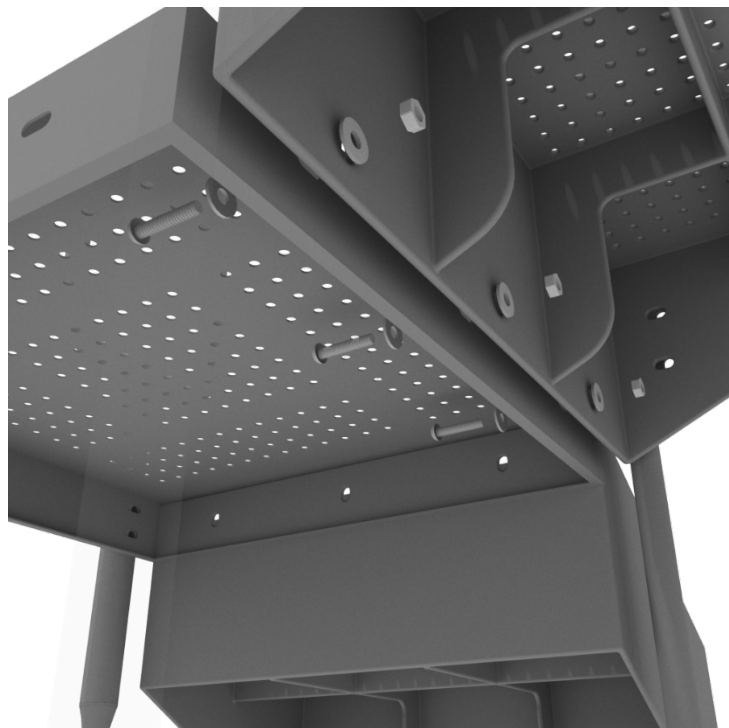
Using two (2) M10*25 bolts, four (4) M10 washers, two (2) lock nuts, attach the handrail to the square deck.



36" Transfer Station (for 3.5" post) Install

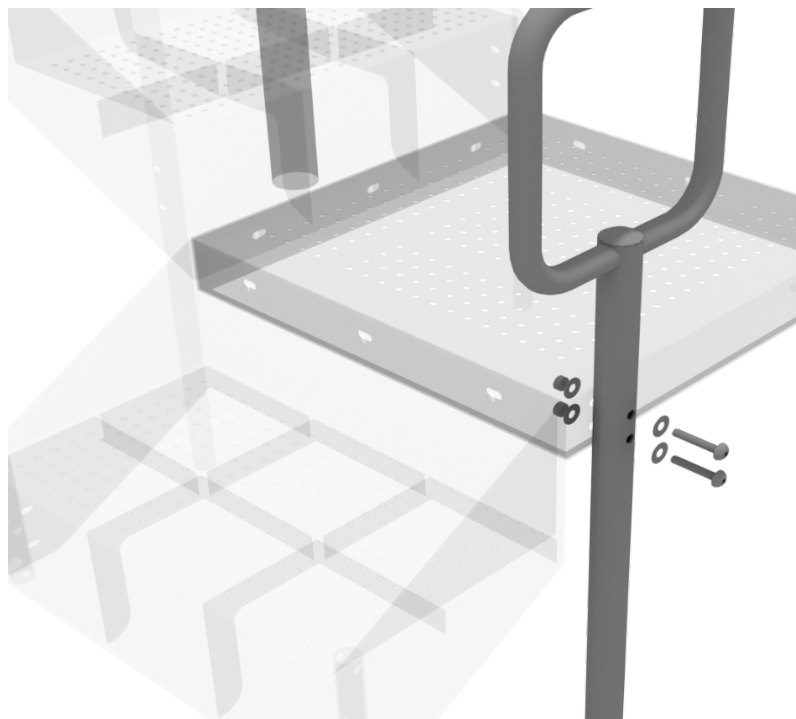
STEP: 5

Using three (3) M10*25 bolts, six (6) M10 washers, and three (3) M10 lock nuts, attach the ADA transfer deck to the base of the 3-foot ADA transfer stair.



STEP: 6

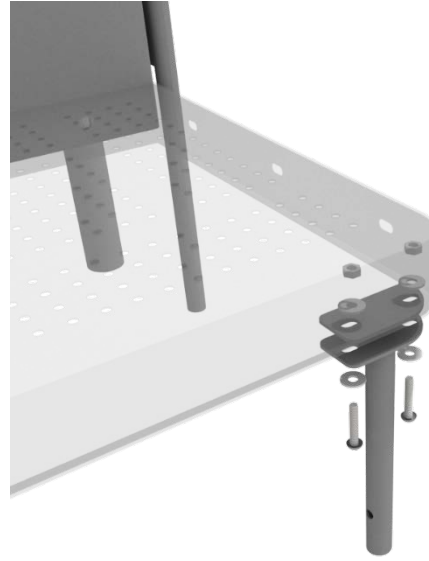
See general installation guide regarding footing information for the transfer deck handrail & mount. Using two (2) M10*65 bolts, four (4) M10 washers, and two (2) M10 lock nuts, attach the transfer handrail to the ADA transfer deck.



36" Transfer Station (for 3.5" post) Install

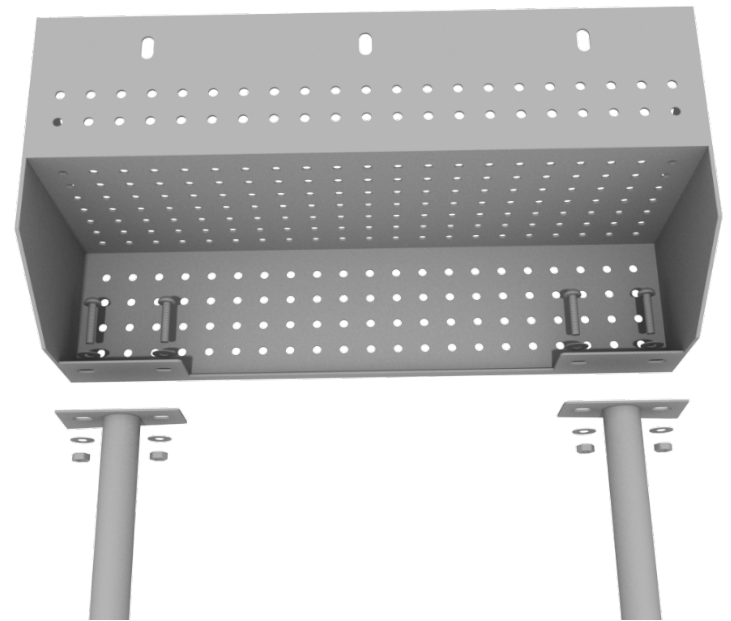
STEP: 7

Using two (2) M10*25 bolts, four (4) M10 washers, and two (2) lock nuts, attach the transfer deck mount to the ADA transfer deck.



STEP: 8

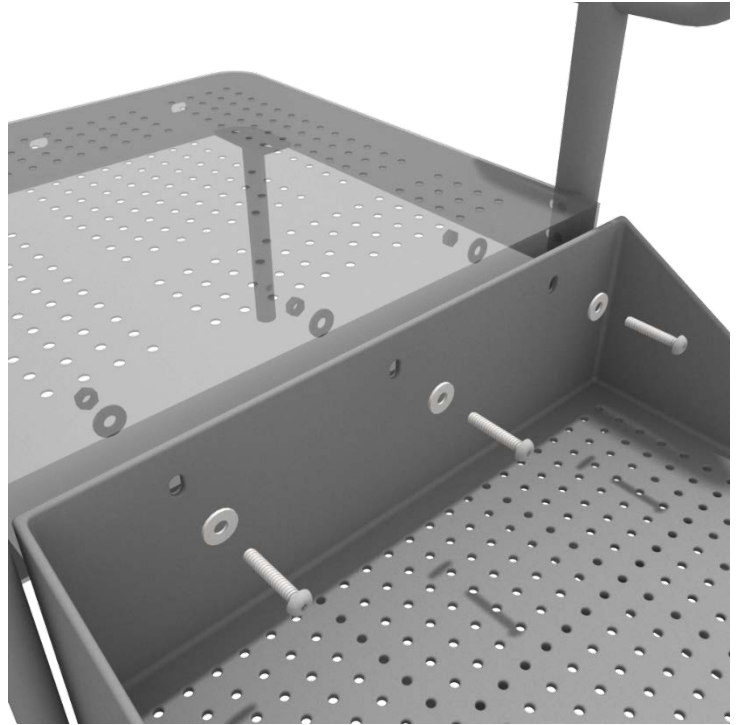
See general installation guide regarding footing information for the ADA transfer step mount. Using two (2) M10 bolts, four (4) M10 washers, and two (2) M10 lock nuts, attach the transfer step to each ADA transfer step mount.



36" Transfer Station (for 3.5" post) Install

STEP: 9

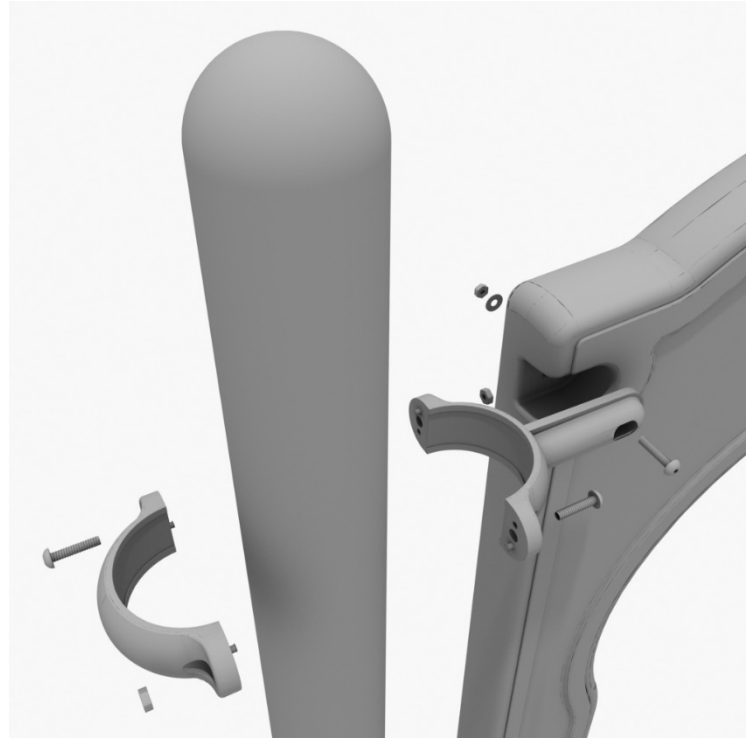
Using three (3) M10*25 bolts, six (6) M10 washers, and three (3) M10 washers, attach the top of the ADA transfer step to the ADA transfer deck.



3-foot Right Turn Slide Installation

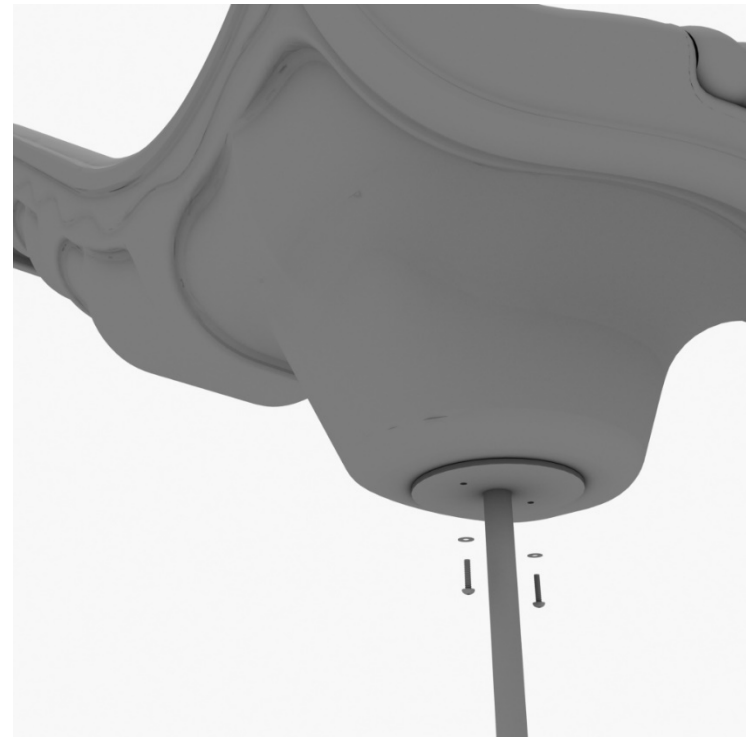
STEP: 1

Take one (1) 3.5-inch flat clamp, and loosely attach it around a post using the bolts and nuts provided in the clamp hardware bag. Repeat this process on the other post. Then, use one (1) M8*40 bolt, one (1) M8 washer, and one (1) M8 lock nut to attach each side of the slide hood to each clamp. Leave bolts loose until slide is in place.



STEP: 2

See general installation guide regarding footing information for the slide end mount. Using two (2) M8*20, two (M8) spring washers. And two (2) M8 washers, attach the slide to the slide support post.



1 Playground Drive
Greenfield, IN 46140
1-800-667-0097

Created By: Aaron Price
Date: 03/19/2018

3-foot Right Turn Slide Installation

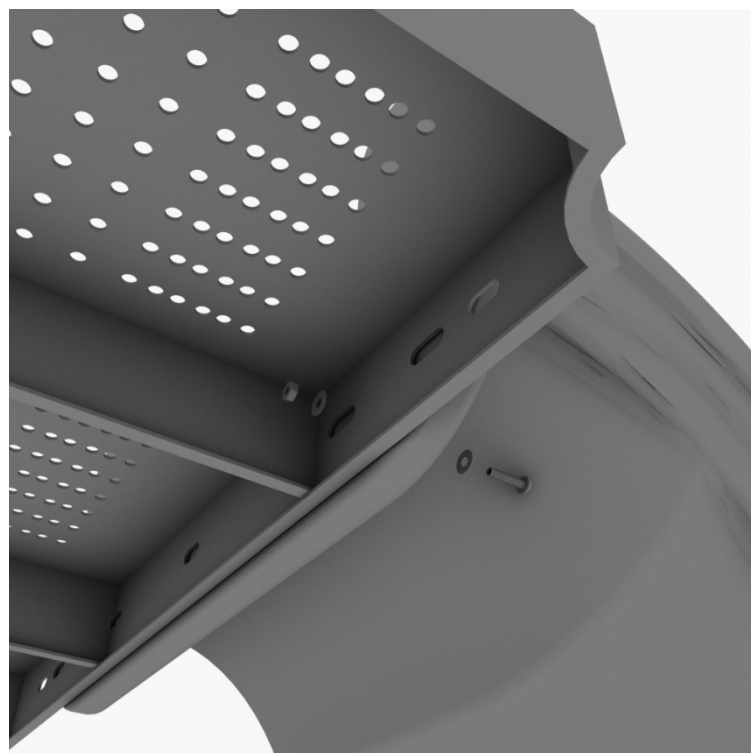
STEP: 3

See general installation guide regarding footing information for the middle slide support. Using two (2) M8*20 bolts, two (2) M8 spring washers, and two (2) M8 washers, attach the middle slide support post.



STEP: 4

Using one (1) M10*45 bolt, two (2) M10 washers, and two (2) M10 lock nuts, attach one side of the slide to the deck.



3-foot Right Turn Slide Installation

STEP: 5

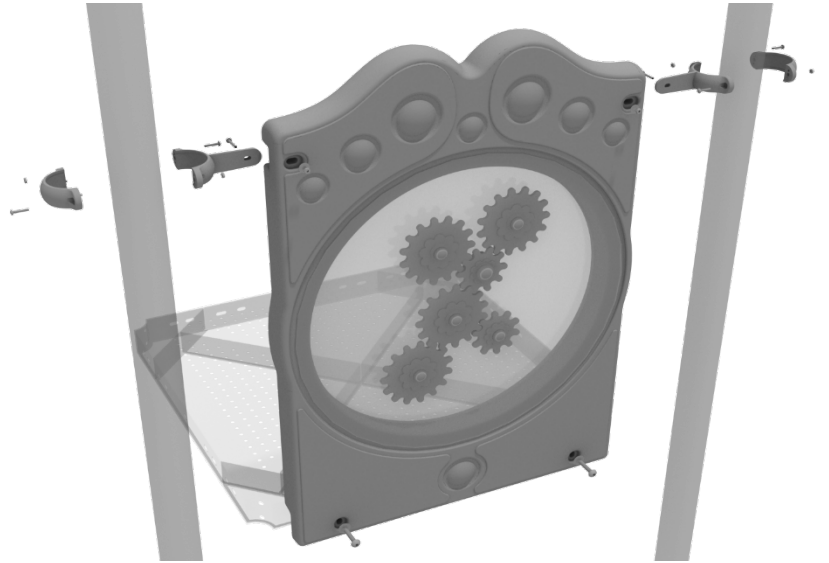
Using one (1) M8*45 bolt, one (1) M8 washer, one (1) M12 washer, and one (1) M12 inner hex spiral nut, attach the slide to one side of the slide hood. Repeat this process for the other side of the slide.



3.5-inch Gear Panel Installation

STEP: 1

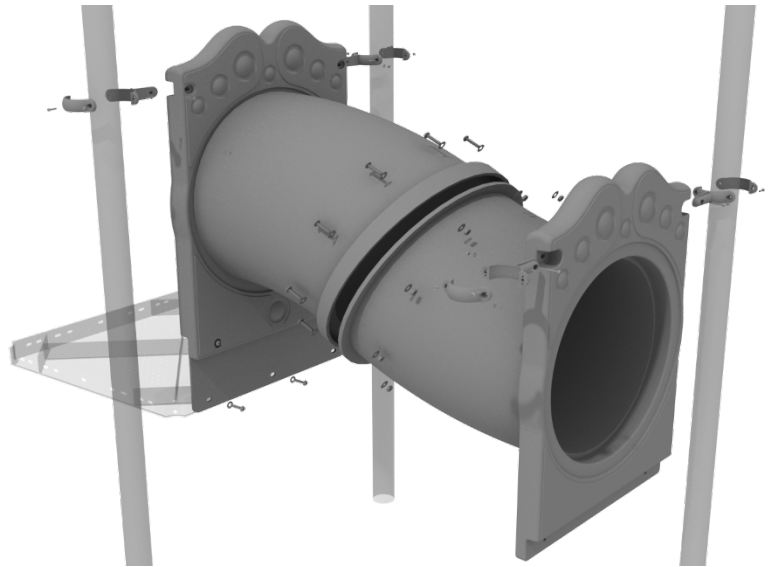
Connect the bottom of the panel to the deck using two (2) M10*50 bolts, four (4) M10 washers, and two (2) M10 lock nuts. Then attach the top of the panel to the posts using two (2) flat clamps.



2-Section Tube Bridge Installation

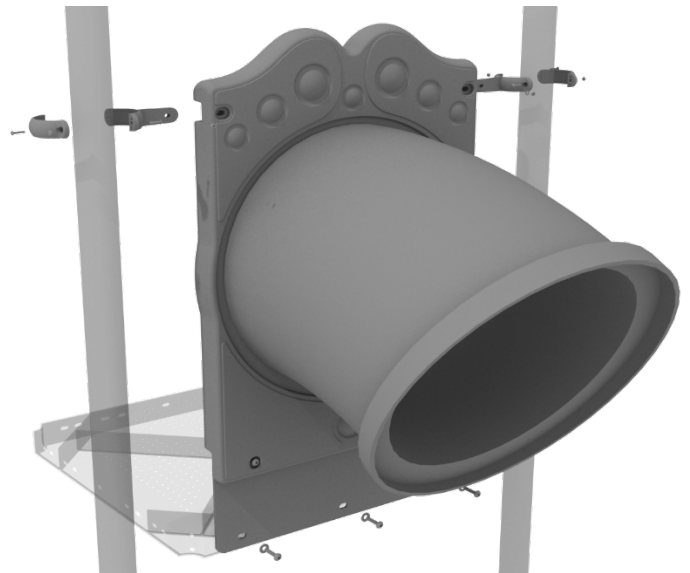
STEP: 1

Take both sections of the tube bridge and attach them together using ten (10) M8*30 bolts, twenty (20) M8 washers, and ten (10) M8 lock nuts.



STEP: 2

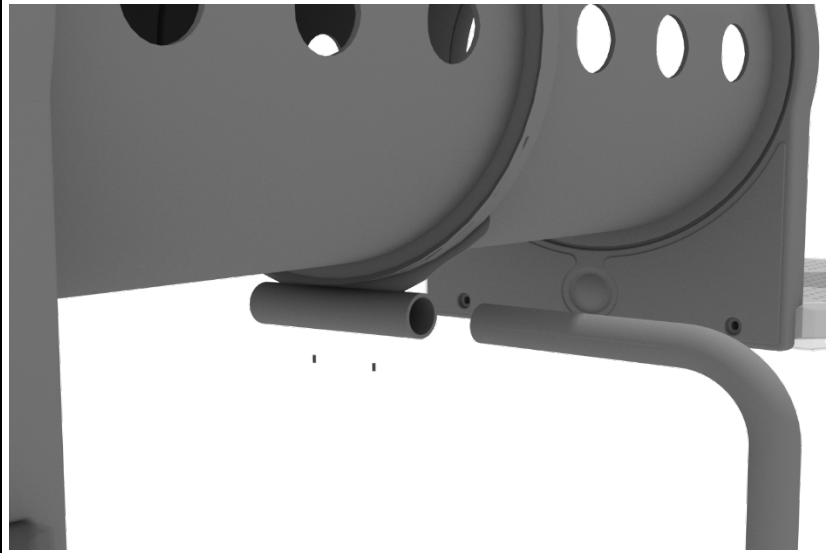
Attach each side of the tube bridge to the proper deck using two (2) M10*50 bolts, four (4) M10 washers, and two (2) M10 lock nuts. Then, attach the top of the tube bridge to the posts using one (1) flat clamp, one (1) M8*40 bolt, one (1) M8 washer, and one (1) M8 lock nut for each post attachment point.



2-Section Tube Bridge Installation

STEP: 3

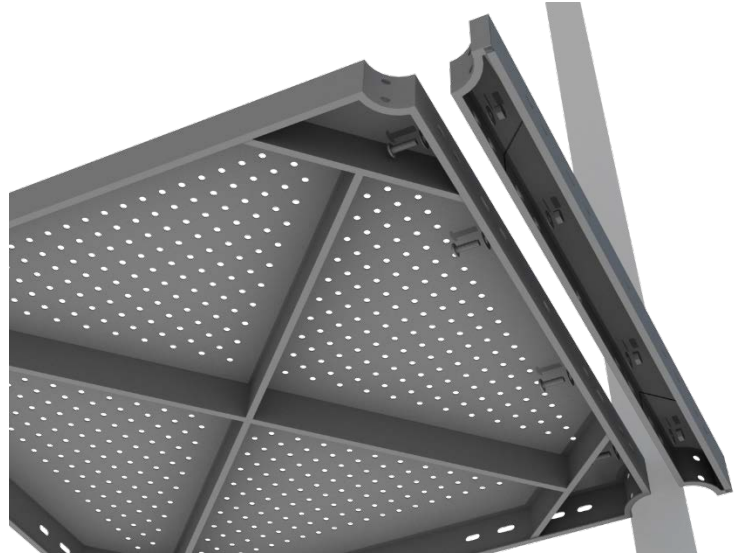
See general installation guide regarding footing information for the tube bridge support. Loosen the set screw pre-attached to the tube support bracket and insert the L-shaped support. Then screw the set screws back into place.



4-foot Double Wave Slide Installation

STEP: 1

Attach the deck climber extension to the proper deck using four (4) M10*25 bolts, eight (8) M10 washers, and four (4) M10 lock nuts.



STEP: 2

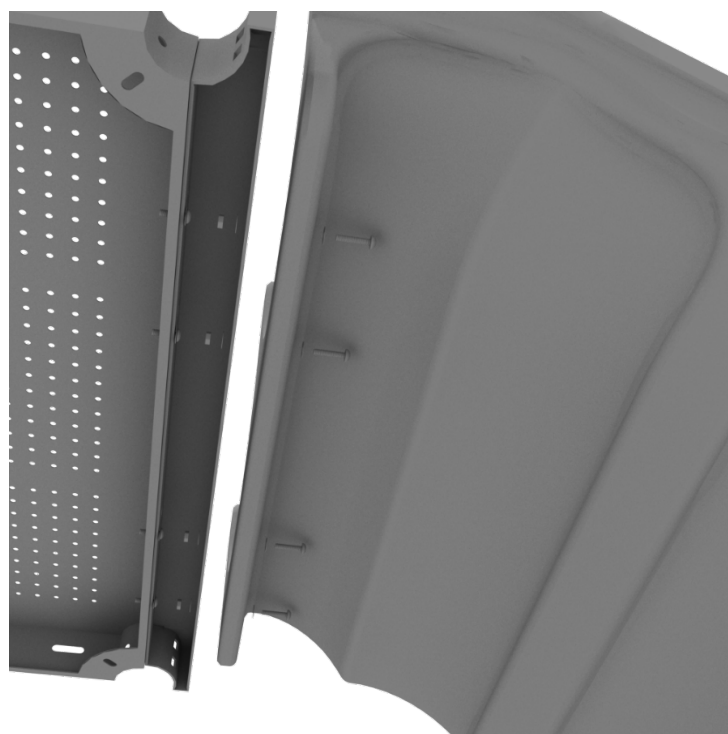
Then, See general installation guide regarding footing information for the double slide end mounts. Using two (2) M8*20 bolts, two (2) M8 spring gaskets, and two (2) M8 washers, attach the slide end mounts to the double slide.



4-foot Double Wave Slide Installation

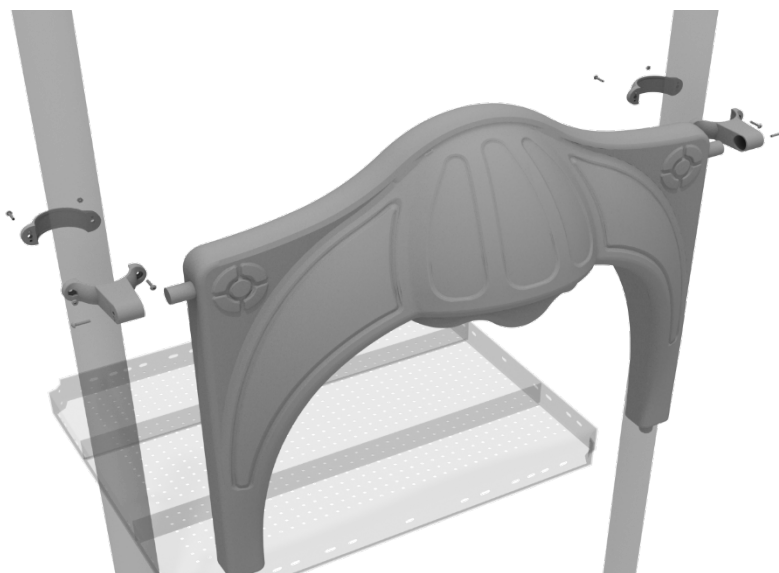
STEP: 3

Then, attach the slide to the deck extension using four (4) M10*45 bolts, eight (8) M10 washers, and four (4) M10 lock nuts.



STEP: 4

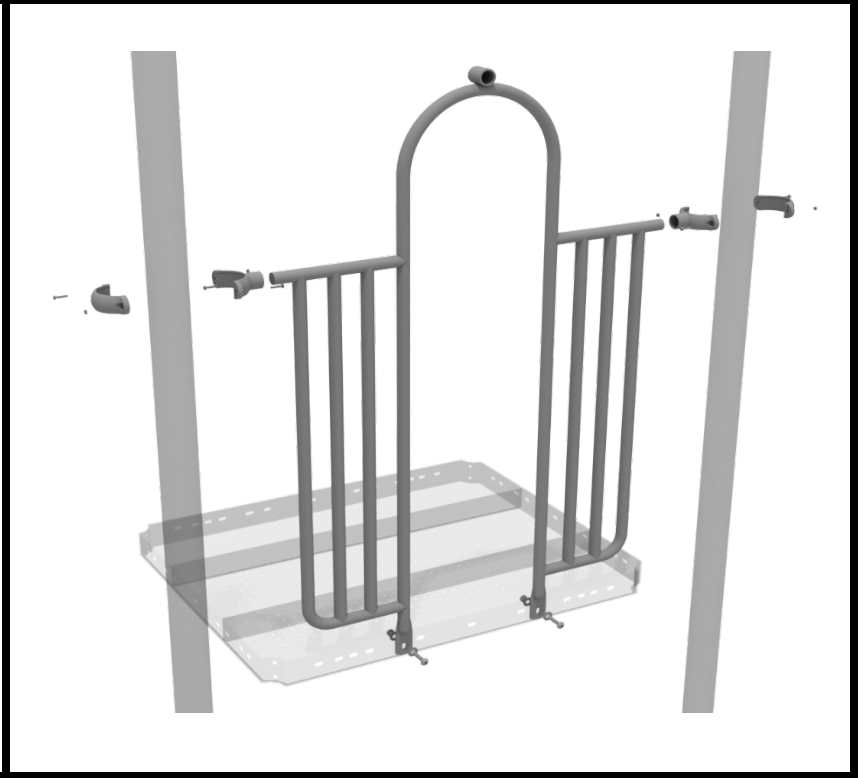
Once the slide is attached, take the double slide hood and insert hood into the top of the slide, and then attach the top using two (2) double slide clamps, and two (2) M8*30 bolts.



4.5-inch 2-Clamp Arch Rail Installation

STEP: 1

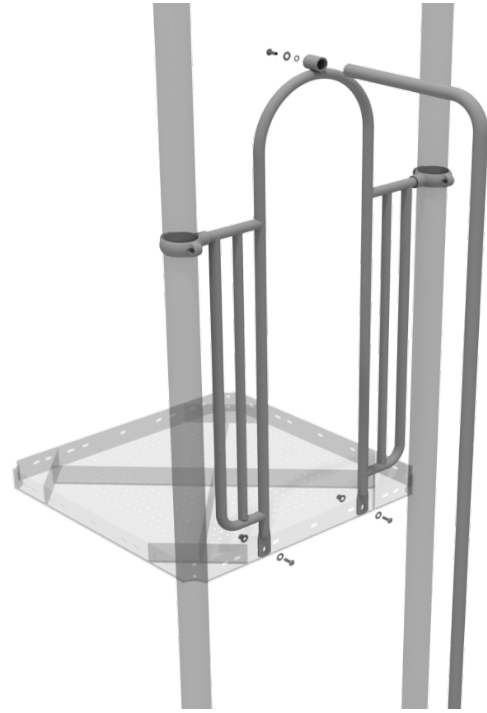
Attach the Arch Rail to the designated posts by connect half of the tube clamp to the arch rail using one (1) M8*30 bolt. Repeat this process for each post attachment point. Then, attach the rail to the deck using two (2) M10*25 bolts, four (4) M10 washers, and two (2) M10 lock nuts. Finally, attach the second half of the clamp around the post.



Fireman's Pole Installation

STEP: 1

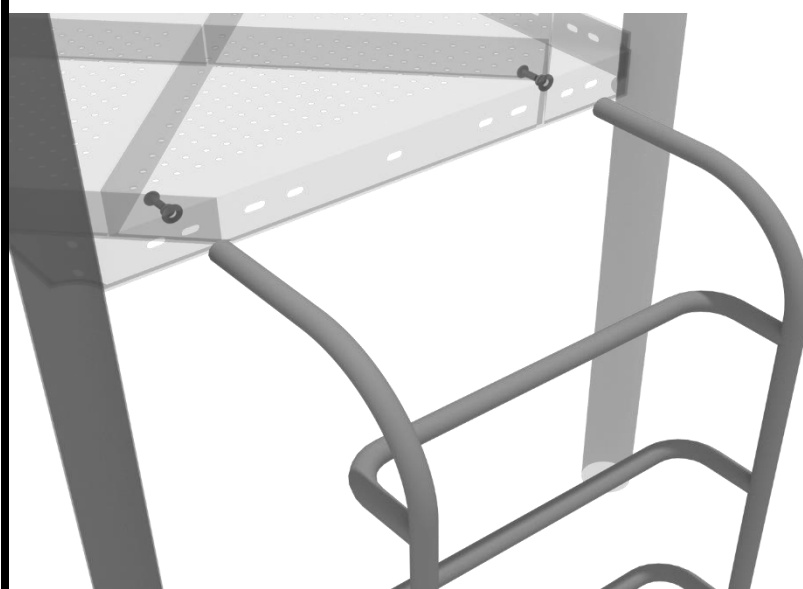
See general installation guide regarding footing information for the fireman's pole. Attach the top of the climber to the designated arch rail top bracket using one (1) M10*20 bolt, one (1) M10 spring washer, and one (1) M10 washer.



4-foot Vertical Ladder Installation

STEP: 1

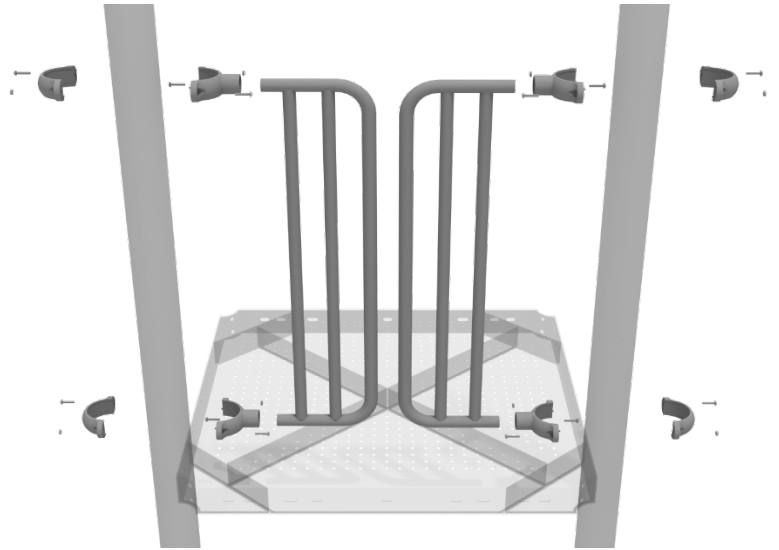
See general installation guide regarding footing information for the 4-foot Vertical Ladder. Attach the ladder to the deck using two (2) M10*25 bolts, two (2) M10 spring washers, and two (2) M10 washers.



D-Rail Installation

STEP: 1

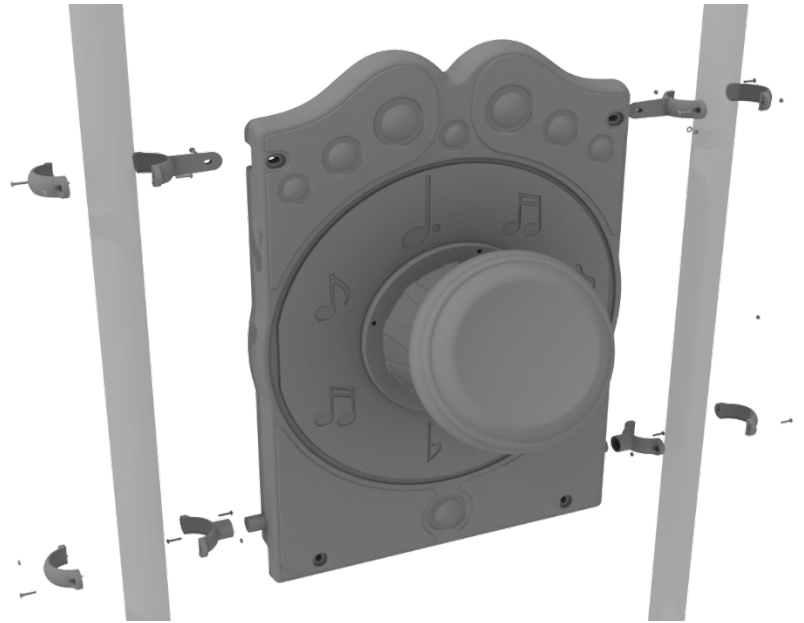
Take two (2) 3.5-inch tube clamps and connect half of the clamps both ends of the D-Rail using one (1) M8*30 bolt. Then, using the other half of the tube clamp and the hardware provided in the clamp hardware bag, attach the other half of the tube clamp around the post to the D-Rail. Repeat this process for the other D-Rail.



3.5-inch Drum Panel Installation

STEP: 1

Attach the Drum Panel to the designated posts using two (2) flat clamps for the top of the panel, and two (2) tube clamps for the bottom of the panel.



Ships Wheel Installation

STEP: 1

Detach half of the tube clamp connected to the Ships Wheel, and re-attach the clamp around the support post, as shown in the picture. Recommended install height is 20 to 36 inches above surfacing depending on age range.

