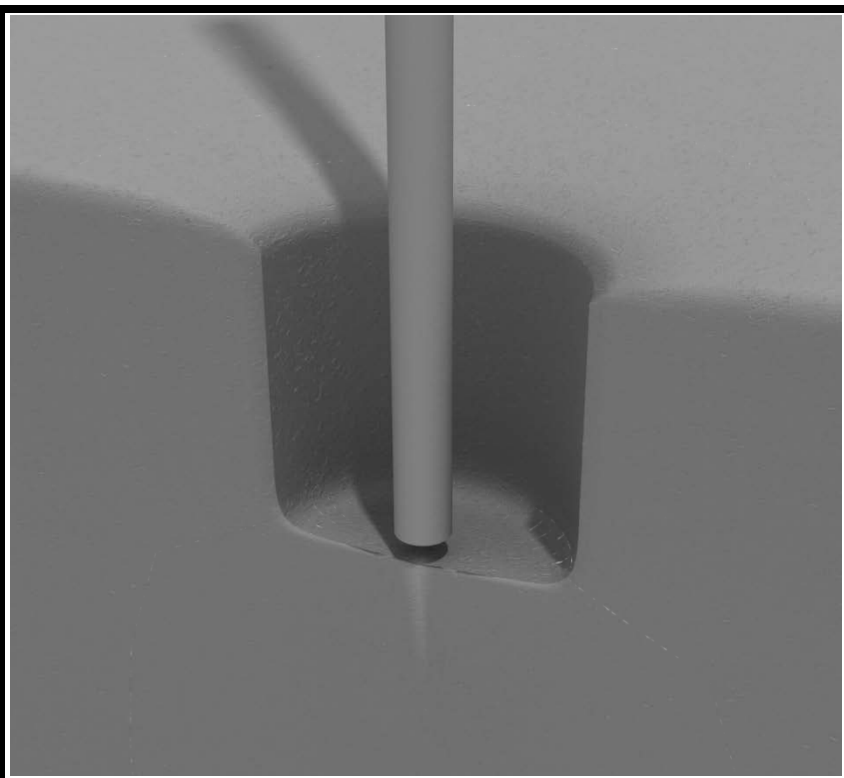


## STEP: 1

**DO NOT CEMENT POSTS INTO PLACE  
UNTIL THE ENTIRE STRUCTURE IS  
ASSEMBLED.**

Refer to the General Installation  
guide footing information and dig  
proper holes for the support posts.



# Square Deck Installation

## STEP: 1

After the posts are in place, using four (4) M10\*35 Bolts, eight (8) M10 Washers, and four (4) M10 Lock Nuts, attach each square deck to each pre-attached deck clamp as shown in the image.

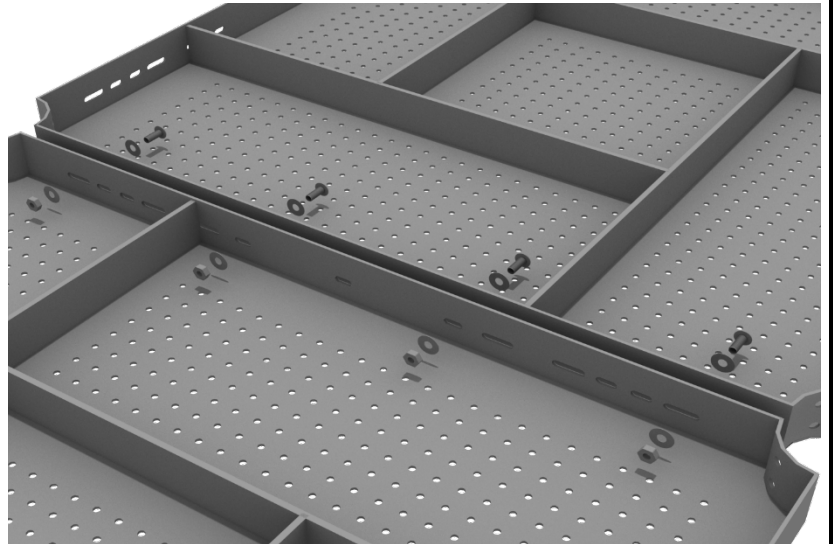
Deck clamps are pre-attached to the posts and should not be altered in any way.



# Square Deck Connect to Square Deck

## STEP: 1

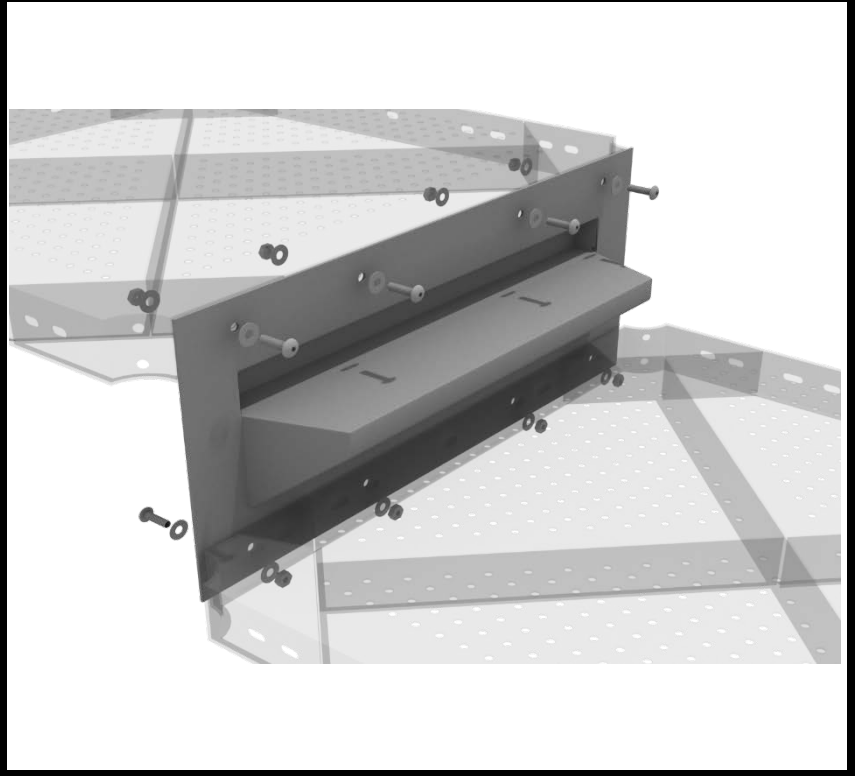
When installing decks that are adjacent to one another at the same height, they should be bolted together. On the underside of the deck, install using four (4) M10\*25 Bolts, eight (8) M10 Washers, and four (4) M10 Lock Nuts. Repeat this process for every set of adjacent decks.



# Kickplate Install

## STEP: 1

Using eight (8) M10\*25 bolts, sixteen (16) M10 washers, and eight (8) M10 lock nuts, attach the kickplate to the proper decks.



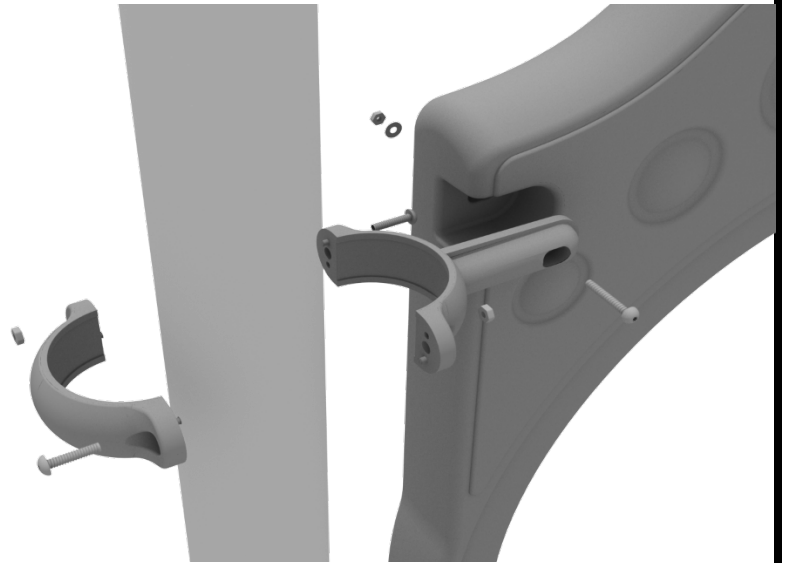
## 3.5-inch Clamp Installation Examples

The following three pages will include examples of how to install some of the most common types of Clamps that are present on our structures that use 3.5-inch outside diameter posts. The structure that you are assembling might not require all the types of clamps listed in these examples.

The Install Guides for specific components that come later in this document might call for a specific type of clamp (a tube clamp for example), those sections will not include detailed instructions for the clamps and should direct you back to this section for more detailed information.

### 3.5-inch Flat Clamp Install Example

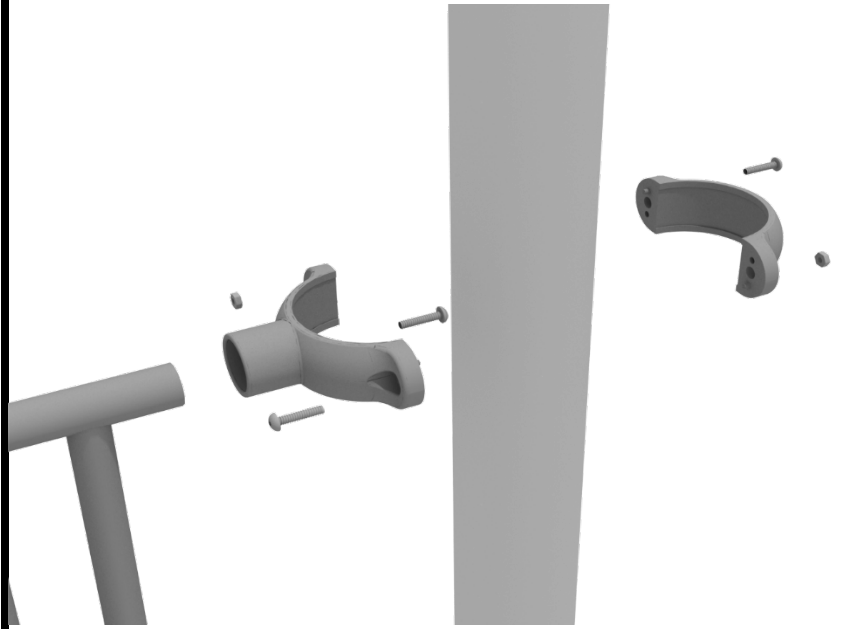
Connect half of the flat clamp to the component using one (1) M8\*40 bolt. Then, using the other half of the flat clamp and the hardware provided in the clamp hardware bag, attach the backside of the flat clamp around the post.



## 3.5-inch Clamp Installation Examples

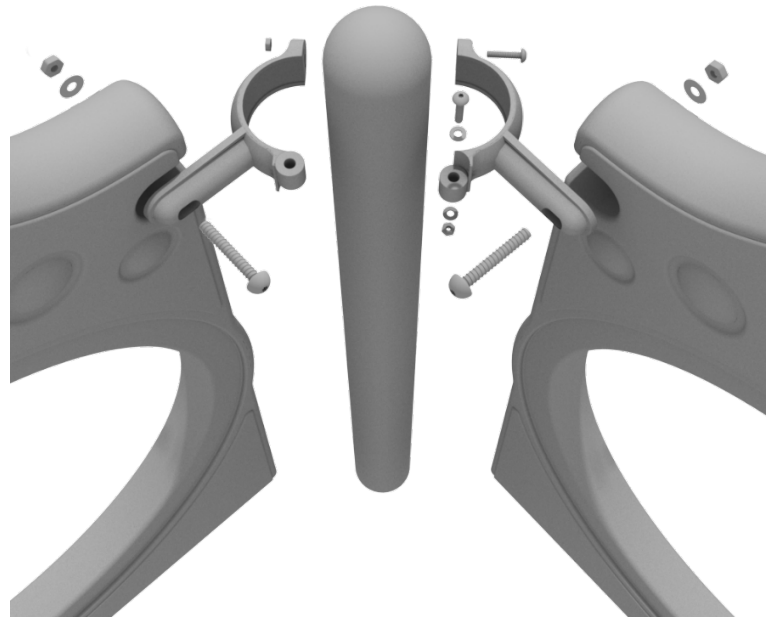
### 3.5-inch Tube Clamp Install Example

Connect half of the clamp to the component using one (1) M8\*30 bolt. Then, using the other half of the tube clamp and the hardware provided in the clamp hardware bag, attach the backside of the tube clamp around the post.



### 3.5-inch 90-Degree Flat Clamp Install Example

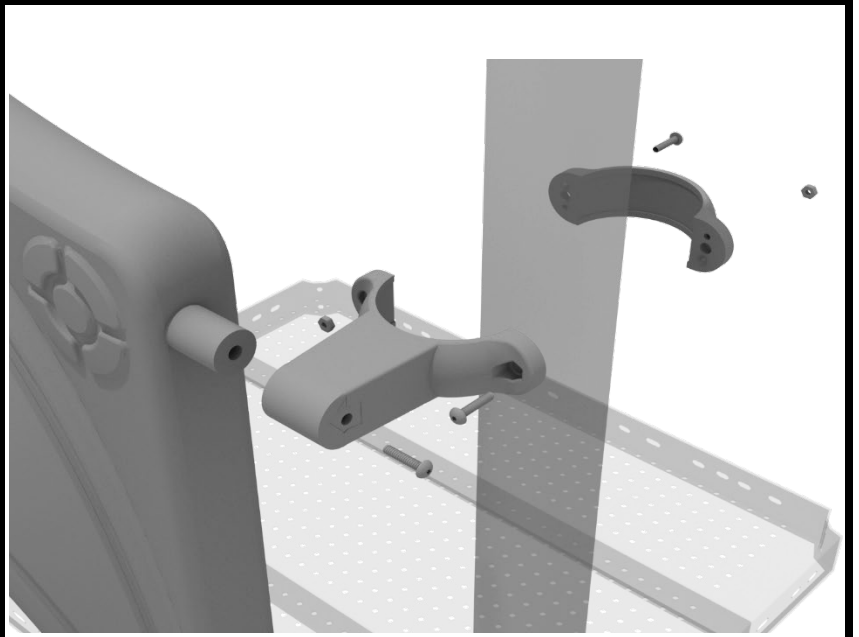
Connect half of the flat clamp to one panel using one (1) M8\*40 bolt. Then, using the other half of the flat clamp and the hardware provided in the clamp hardware bag, attach the other half of the tube clamp around the post. Then, attach the next panel to the other side of the clamp using the same process.



## 3.5-inch Clamp Installation Examples

### 3.5-inch Double Slide Clamp Install Example

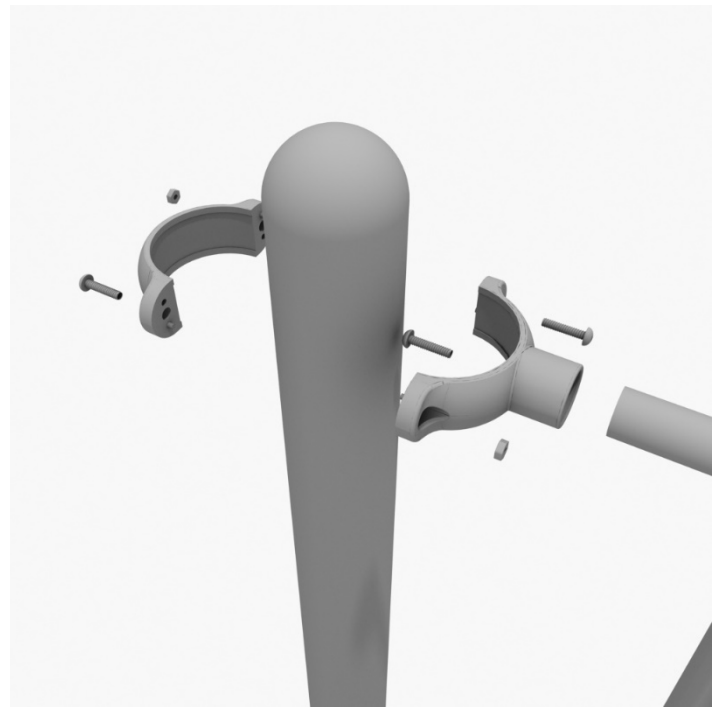
Connect half of the double slide clamp to the double slide hood using one (1) M8\*30 bolt. Then, using the other half of the clamp and the hardware provided in the clamp hardware bag, attach the backside of the double slide clamp around the post.



# 36" Transfer Station (for 3.5" post) Install

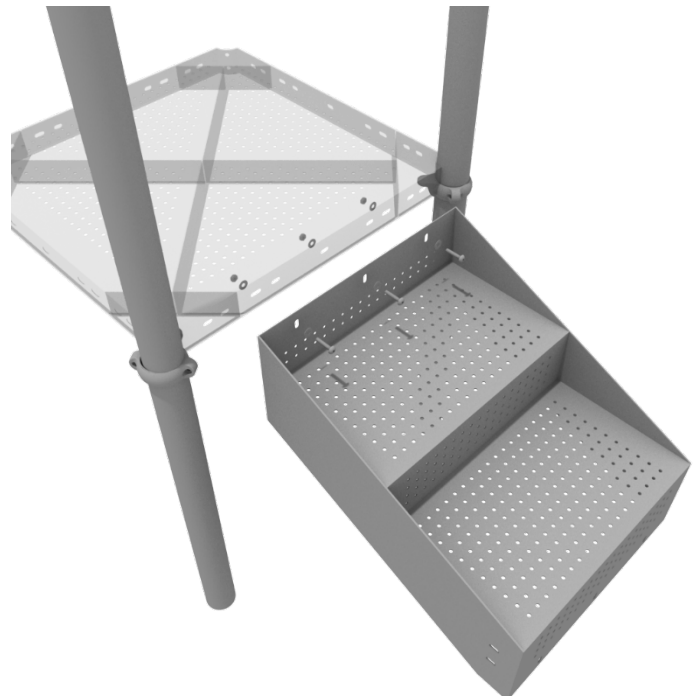
## STEP: 1

Connect half of the 3.5-inch tube clamp to the handrail using one (1) M8\*30 bolt. Set the handrail into place, then attach the second half of the clamp using the hardware provided in the clamp bag. Repeat this process for the other handrail.



## STEP: 2

Using three (3) M10\*25 bolts, six (6) M10 washers, and three (3) M10 lock nuts, attach the top of the stairs to the square deck.

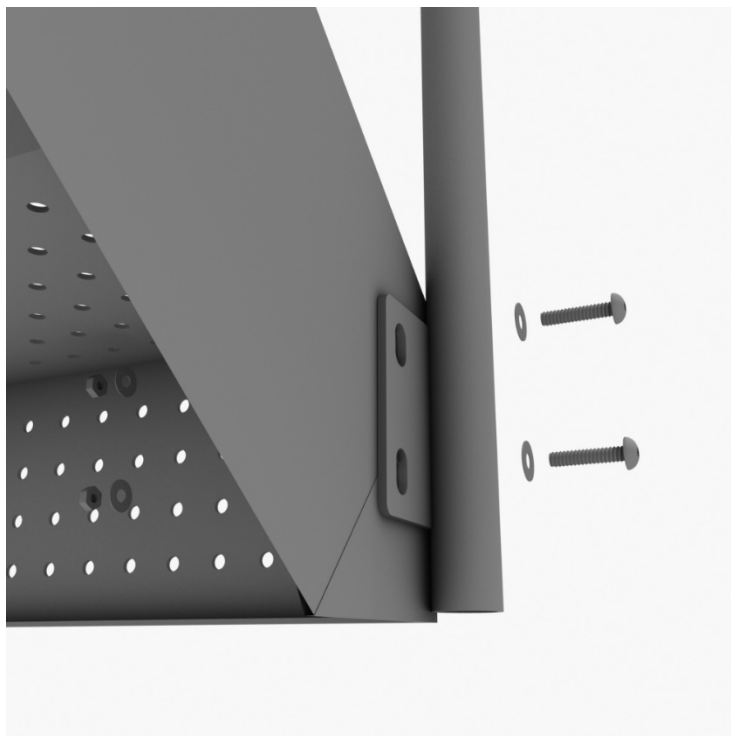




# 36" Transfer Station (for 3.5" post) Install

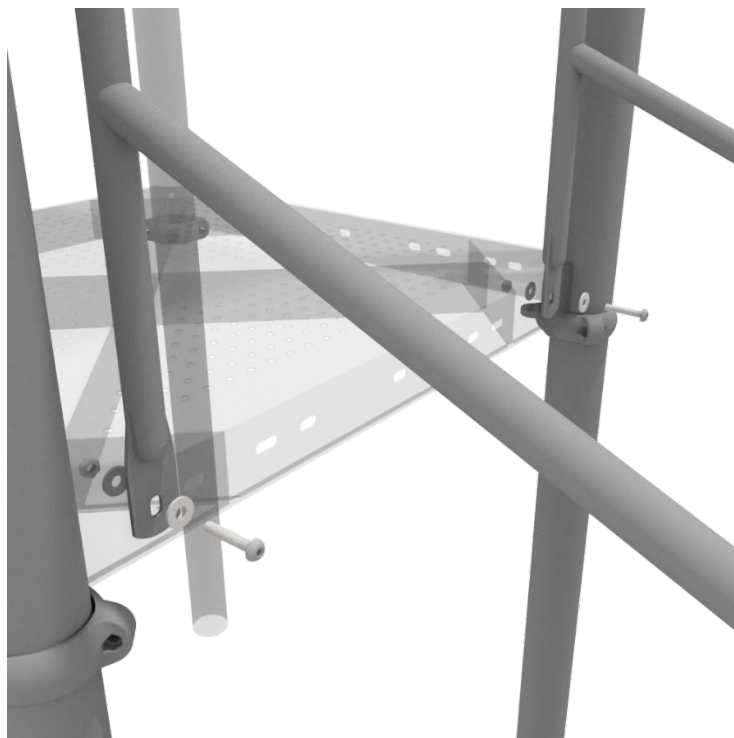
## STEP: 3

Using four (4) M10\*25 bolts, eight (8) M10 washers, and four (4) M10 lock nuts, connect the bottom of the handrails to the bottom of the 3-foot transfer stair.



## STEP: 4

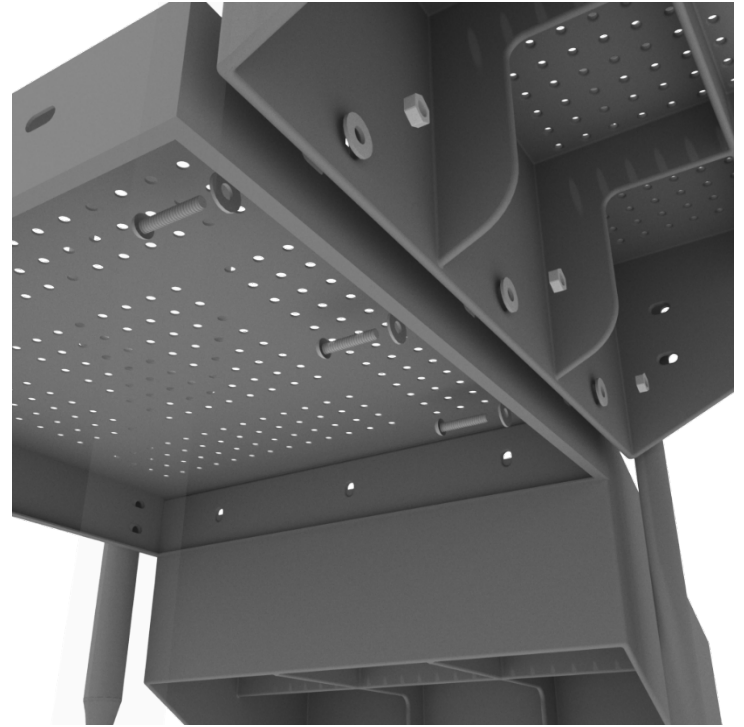
Using two (2) M10\*25 bolts, four (4) M10 washers, two (2) lock nuts, attach the handrail to the square deck.



# 36" Transfer Station (for 3.5" post) Install

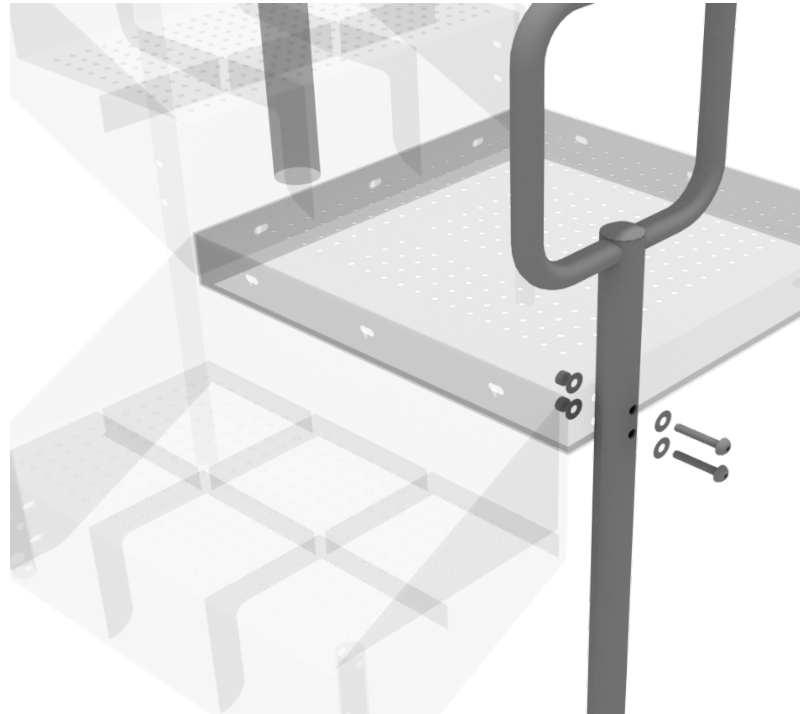
## STEP: 5

Using three (3) M10\*25 bolts, six (6) M10 washers, and three (3) M10 lock nuts, attach the ADA transfer deck to the base of the 3-foot ADA transfer stair.



## STEP: 6

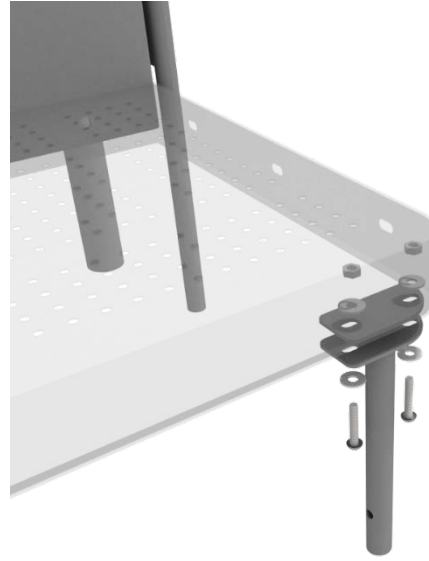
See general installation guide regarding footing information for the transfer deck handrail & mount. Using two (2) M10\*65 bolts, four (4) M10 washers, and two (2) M10 lock nuts, attach the transfer handrail to the ADA transfer deck.



# 36" Transfer Station (for 3.5" post) Install

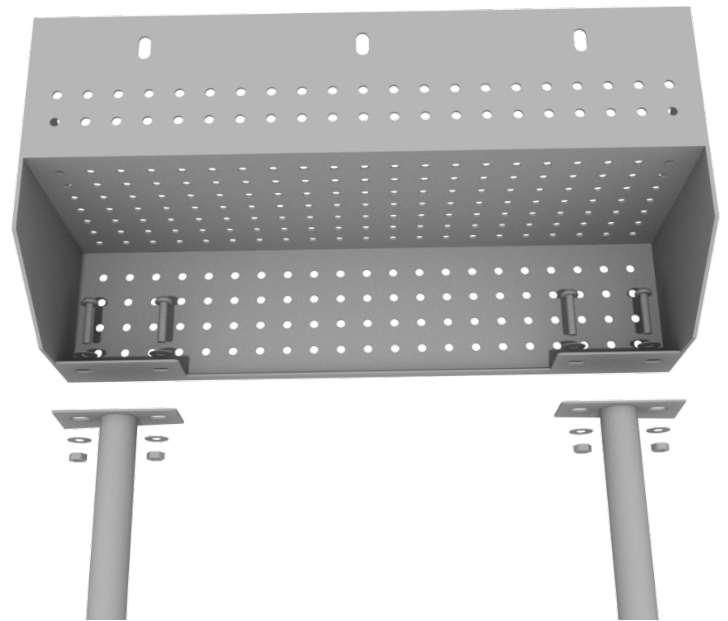
## STEP: 7

Using two (2) M10\*25 bolts, four (4) M10 washers, and two (2) lock nuts, attach the transfer deck mount to the ADA transfer deck.



## STEP: 8

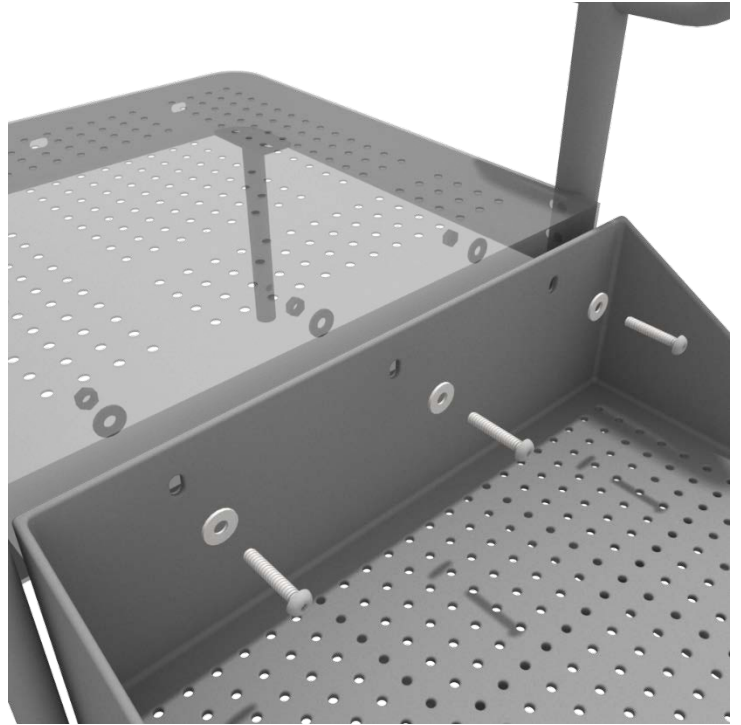
See general installation guide regarding footing information for the ADA transfer step mount. Using two (2) M10 bolts, four (4) M10 washers, and two (2) M10 lock nuts, attach the transfer step to each ADA transfer step mount.



# 36" Transfer Station (for 3.5" post) Install

## STEP: 9

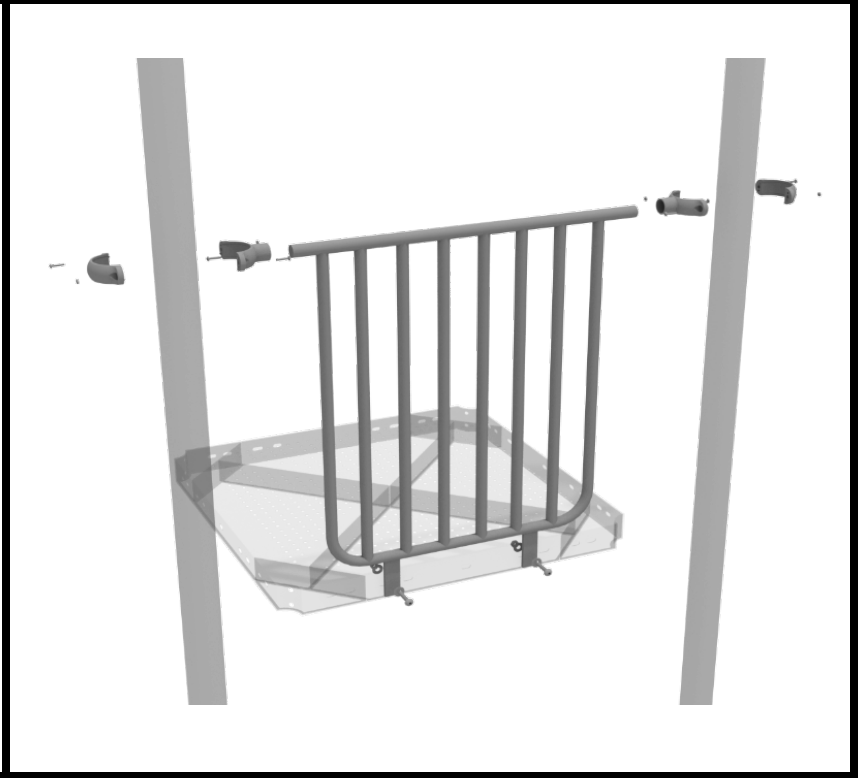
Using three (3) M10\*25 bolts, six (6) M10 washers, and three (3) M10 washers, attach the top of the ADA transfer step to the ADA transfer deck.



# 3.5-inch Metal Barrier Installation

## STEP: 1

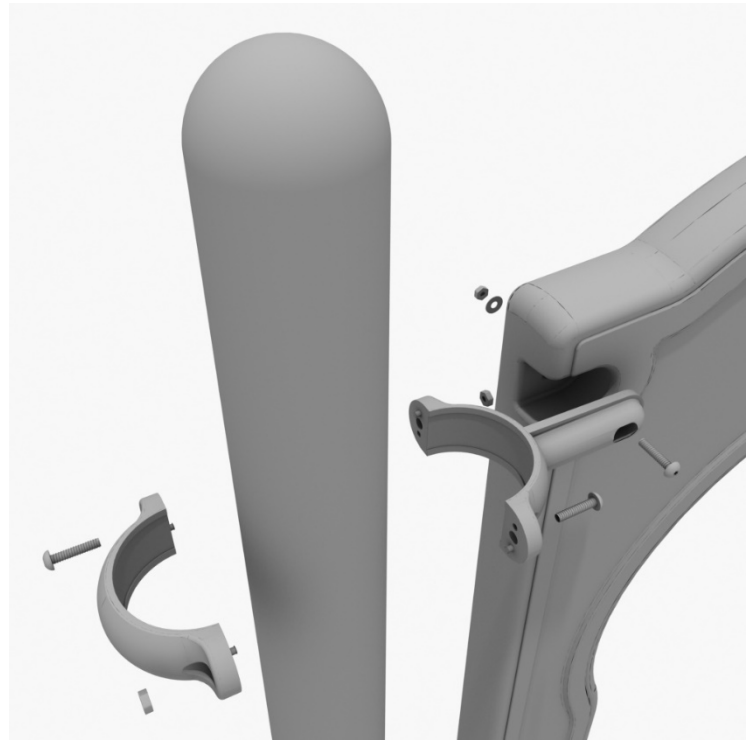
Attach the metal barrier to the designated posts using two (2) tube clamps two (2) M8\*30 bolts. Then, attach the bottom of the metal barrier to the deck using two (2) M10\*25 bolts, four (4) M10 washers, and two (2) M10 lock nuts.



# 3-foot Single Wave Slide Installation

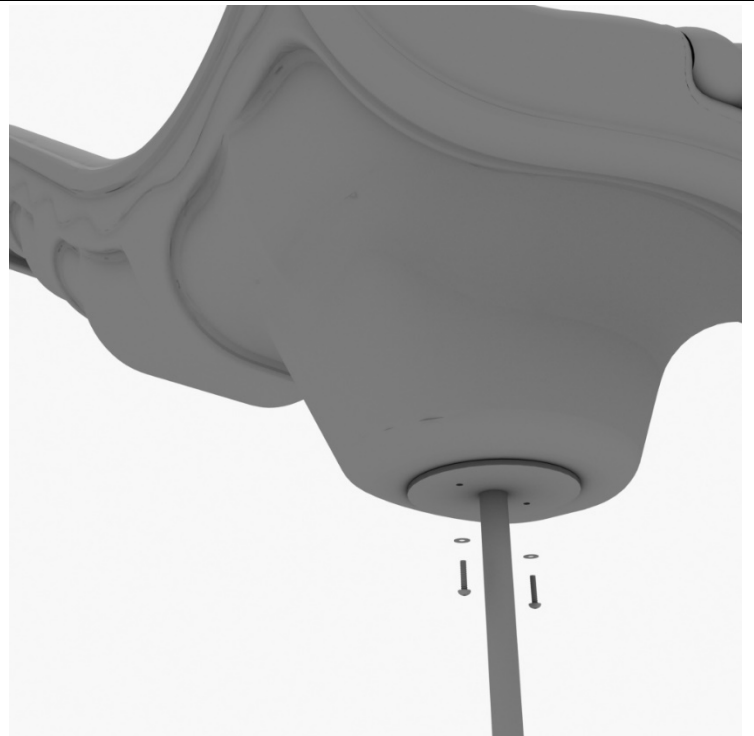
## STEP: 1

Take one (1) 3.5-inch flat clamp, and loosely attach it around a post using the bolts and nuts provided in the clamp hardware bag. Repeat this process on the other post. Then, use one (1) M8\*40 bolt, one (1) M8 washer, and one (1) M8 lock nut to attach each side of the slide hood to each clamp. Leave bolts loose until slide is in place.



## STEP: 2

See general installation guide regarding footing information for the slide end mount. Using two (2) M8\*20, two (M8) spring washers. And two (2) M8 washers, attach the slide to the slide support post.



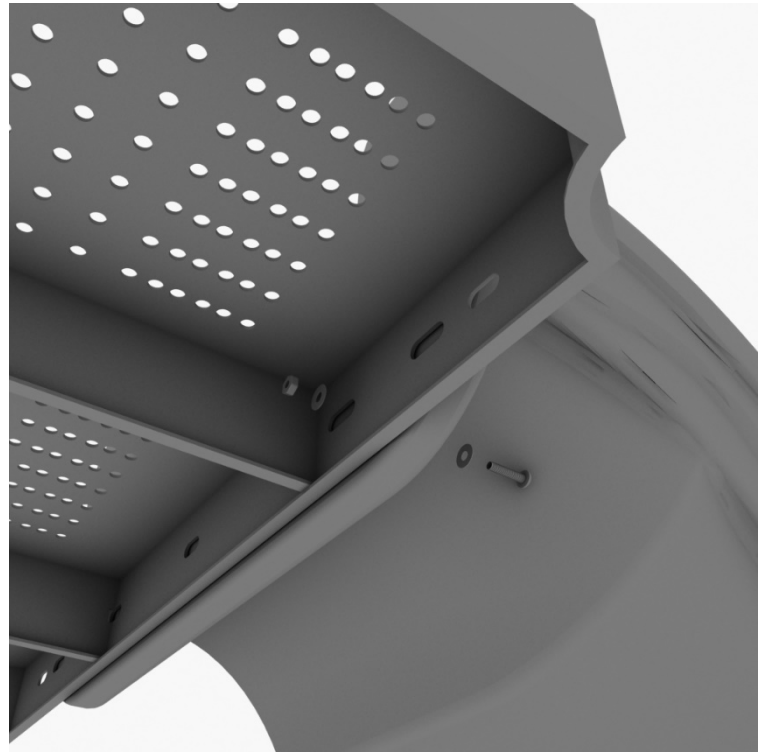
1 Playground Drive  
Greenfield, IN 46140  
1-800-667-0097

Created By: Aaron Price  
Date: 3/19/2018

# 3-foot Single Wave Slide Installation

## STEP: 3

To attach a single slide to a deck, use two (2) M10\*45 bolts, four (4) M10 washers, and two (2) M10 lock nuts. Repeat this process for the other side of the slide. Repeat this process for each single slide.



## STEP: 4

Using two (2) M8\*45 bolts, two (2) M8 washer, two (2) M12 washers, and one (1) M12 inner hex spiral nut, attach the slide to the slide hood. Repeat this process for the other side of the slide.

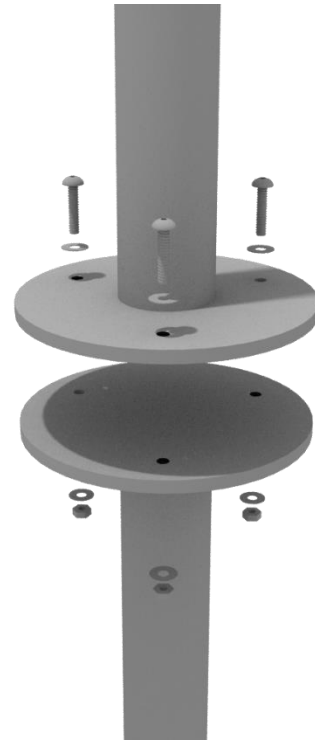




# Pod Climber Installation

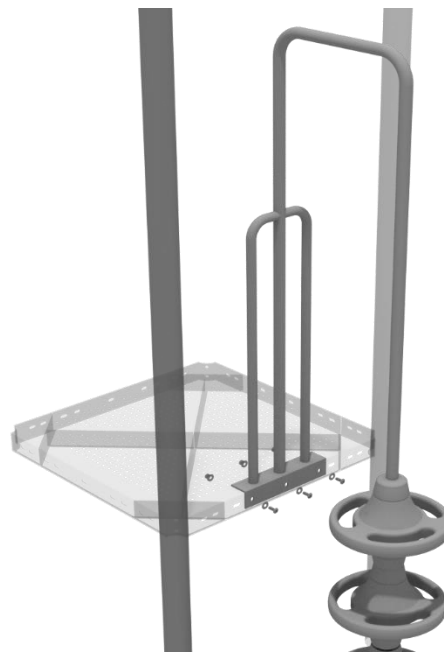
## STEP: 1

See general installation guide regarding footing information for the pod climber. Attach the circle end mount to the bottom of the climber using the pre-attached hardware. Each attachment uses three (3) M10\*20 bolts, three (3) M10 spring gaskets, and one (3) M10 large gaskets.



## STEP: 2

Using three (3) M10\*25 bolts, six (6) M10 washers, and three (3) M10 lock nuts, attach the pod climber to the deck.

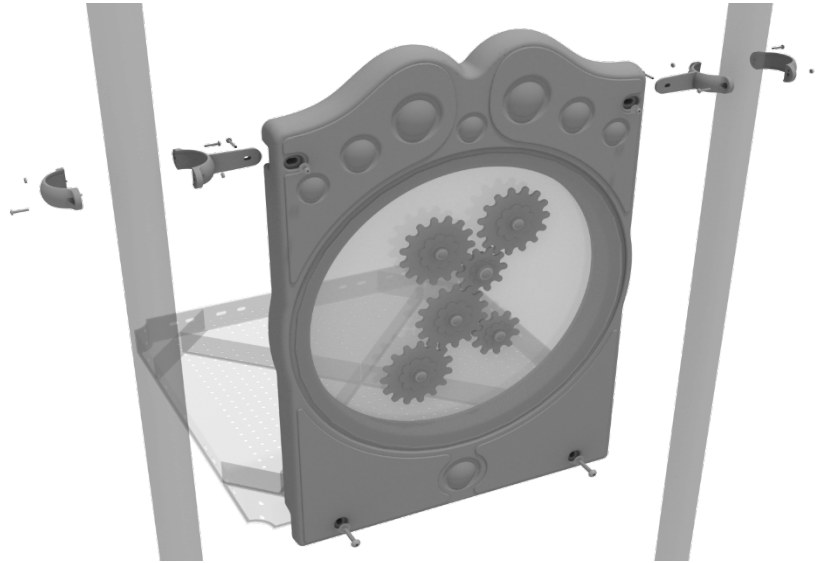




## 3.5-inch Gear Panel Installation

### STEP: 1

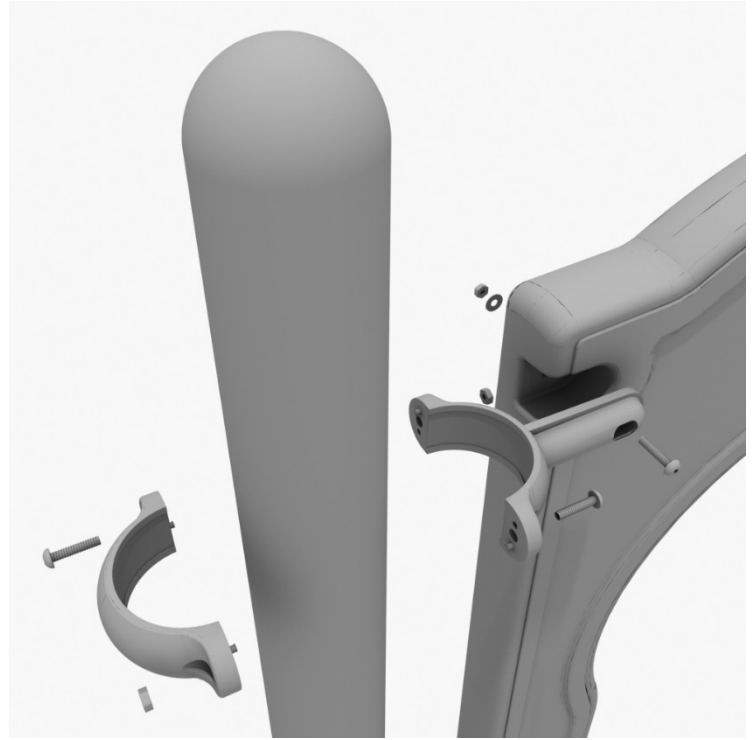
Connect the bottom of the panel to the deck using two (2) M10\*50 bolts, four (4) M10 washers, and two (2) M10 lock nuts. Then attach the top of the panel to the posts using two (2) flat clamps.



# 3-foot Right Turn Slide Installation

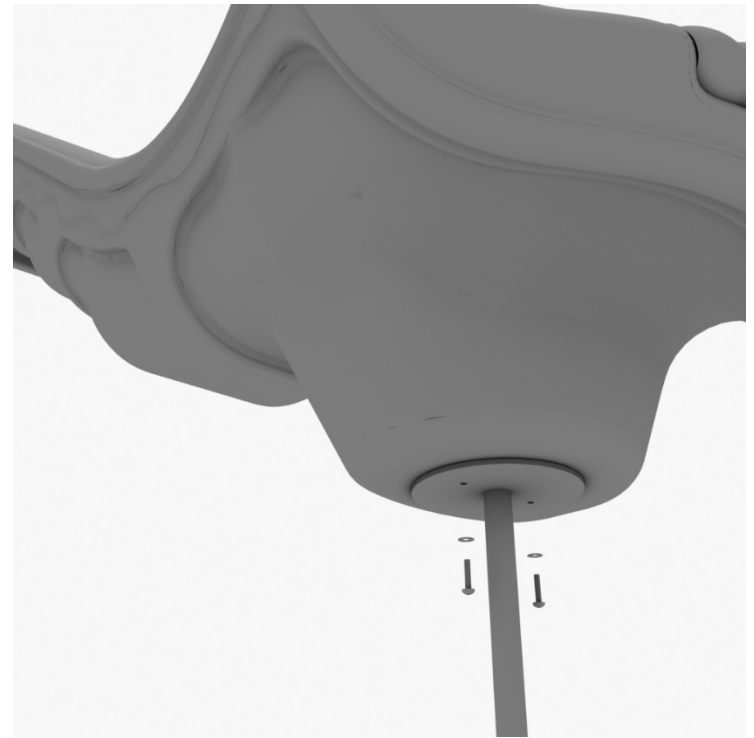
## STEP: 1

Take one (1) 3.5-inch flat clamp, and loosely attach it around a post using the bolts and nuts provided in the clamp hardware bag. Repeat this process on the other post. Then, use one (1) M8\*40 bolt, one (1) M8 washer, and one (1) M8 lock nut to attach each side of the slide hood to each clamp. Leave bolts loose until slide is in place.



## STEP: 2

See general installation guide regarding footing information for the slide end mount. Using two (2) M8\*20, two (M8) spring washers. And two (2) M8 washers, attach the slide to the slide support post.



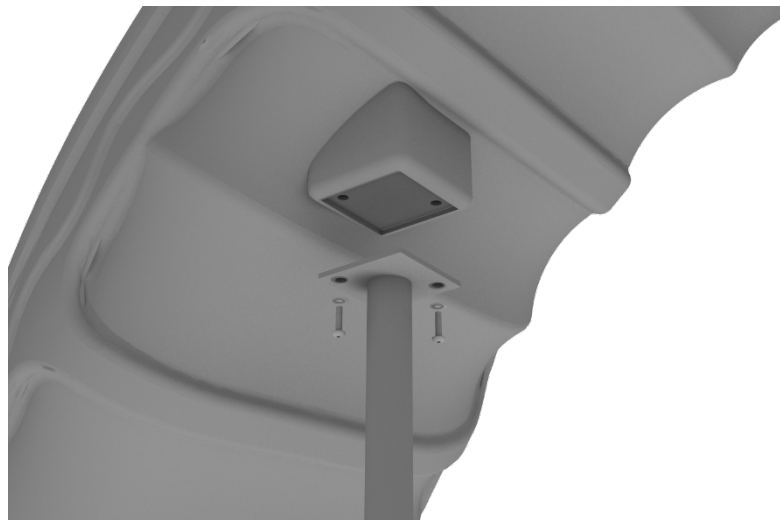
1 Playground Drive  
Greenfield, IN 46140  
1-800-667-0097

Created By: Aaron Price  
Date: 03/19/2018

# 3-foot Right Turn Slide Installation

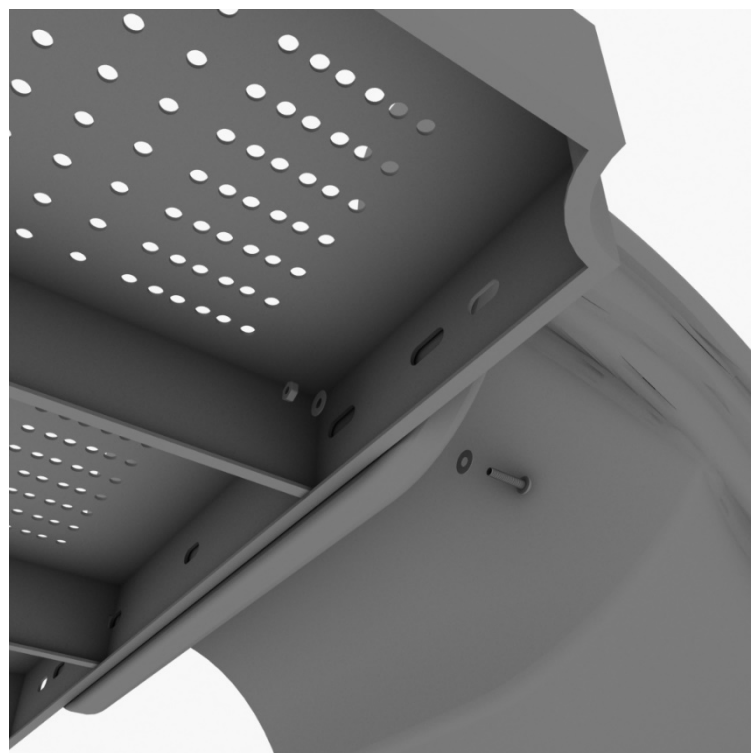
## STEP: 3

See general installation guide regarding footing information for the middle slide support. Using two (2) M8\*20 bolts, two (2) M8 spring washers, and two (2) M8 washers, attach the middle slide support post.



## STEP: 4

Using one (1) M10\*45 bolt, two (2) M10 washers, and two (2) M10 lock nuts, attach one side of the slide to the deck.



# 3-foot Right Turn Slide Installation

## STEP: 5

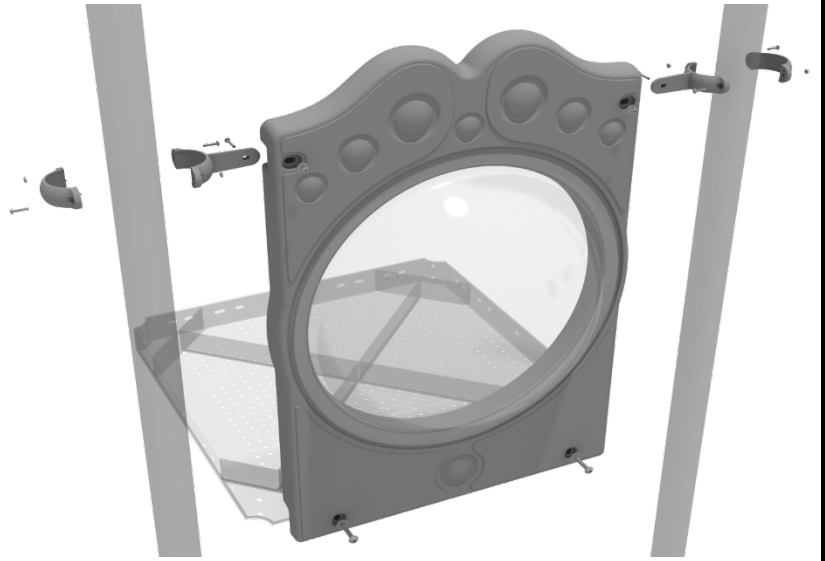
Using one (1) M8\*45 bolt, one (1) M8 washer, one (1) M12 washer, and one (1) M12 inner hex spiral nut, attach the slide to one side of the slide hood. Repeat this process for the other side of the slide.



## 3.5-inch Bubble Panel Installation

### STEP: 1

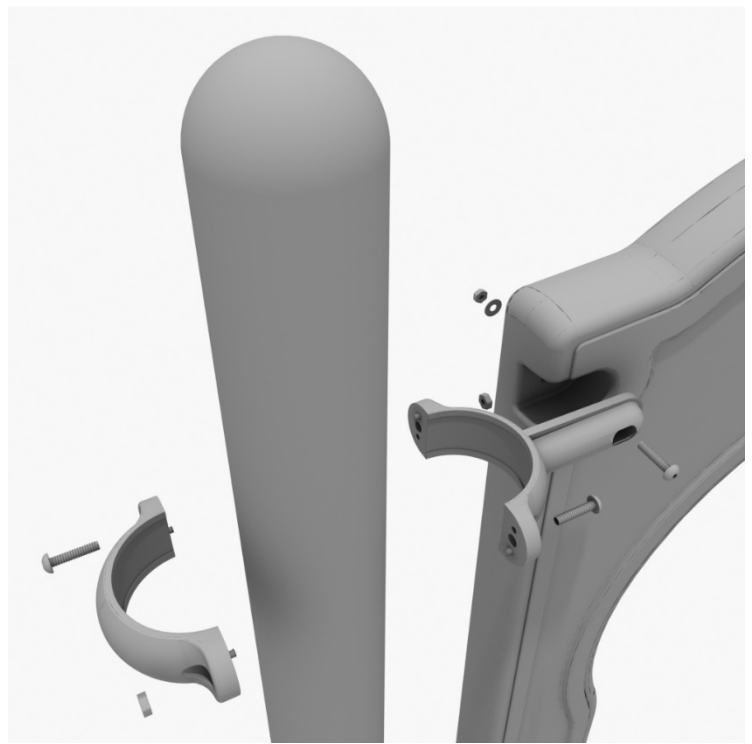
Connect the bottom of the panel to the deck using two (2) M10\*50 bolts, four (4) M10 washers, and two (2) M10 lock nuts. Then attach the top of the panel to the posts using two (2) flat clamps.



# 4-foot Right Turn Slide Installation

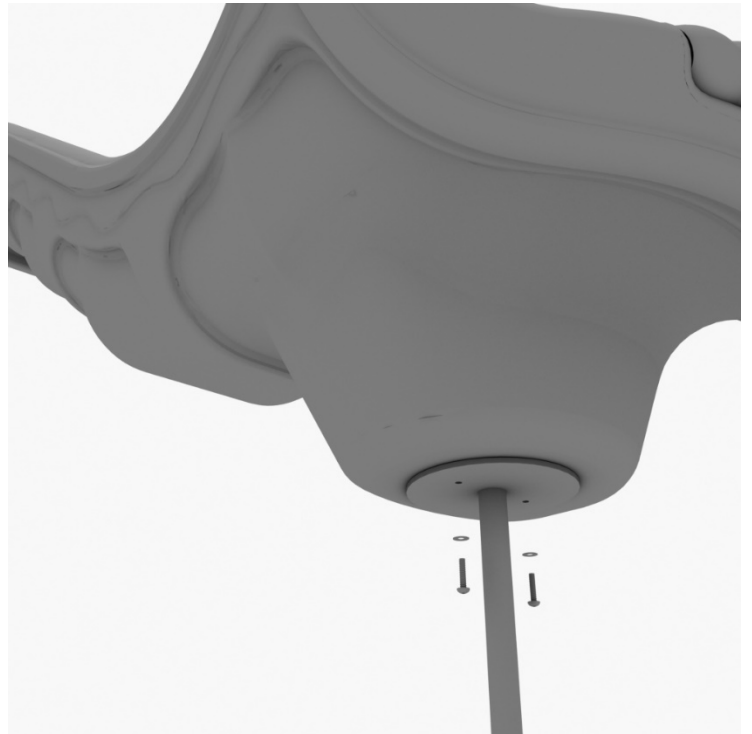
## STEP: 1

Take one (1) 3.5-inch flat clamp, and loosely attach it around a post using the bolts and nuts provided in the clamp hardware bag. Repeat this process on the other post. Then, use one (1) M8\*40 bolt, one (1) M8 washer, and one (1) M8 lock nut to attach each side of the slide hood to each clamp. Leave bolts loose until slide is in place.



## STEP: 2

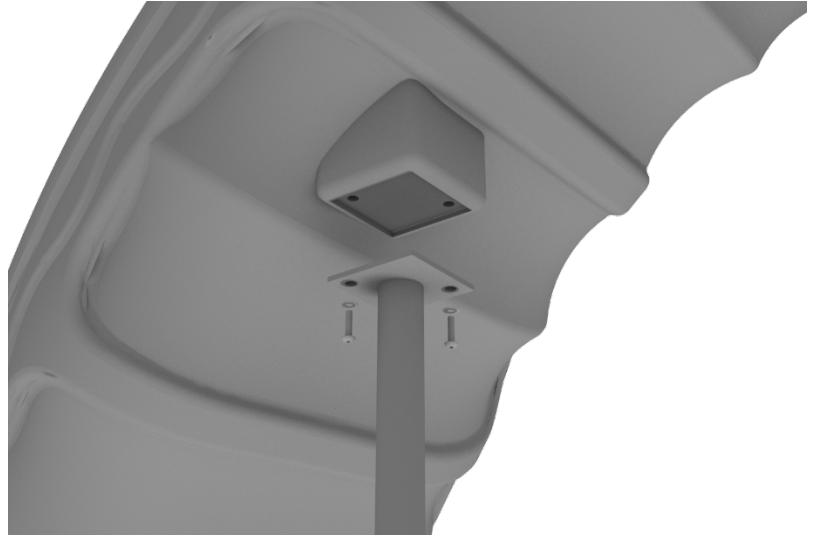
See general installation guide regarding footing information for the slide end mount. Using two (2) M8\*20, two (M8) spring washers. And two (2) M8 washers, attach the slide to the slide support post.



# 4-foot Right Turn Slide Installation

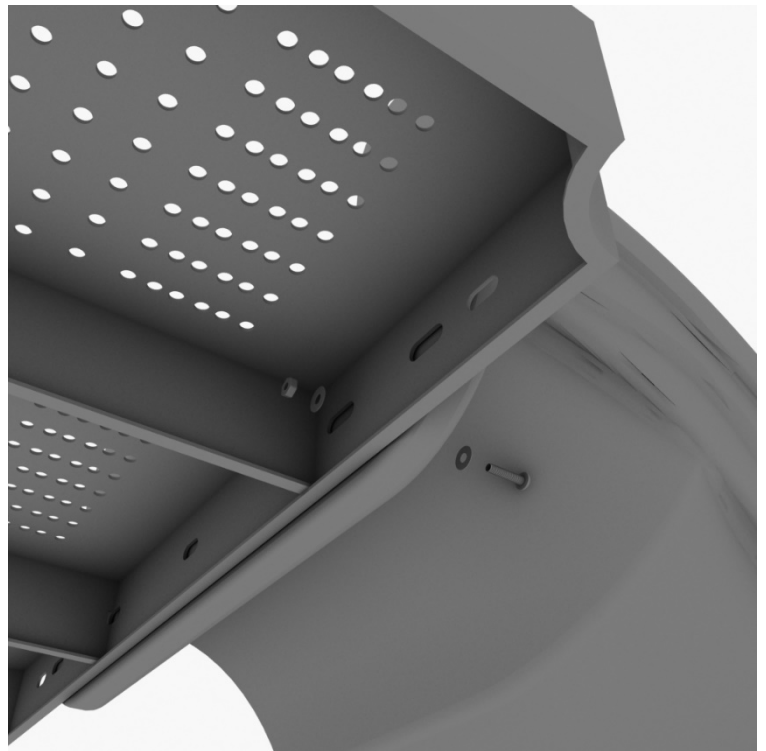
## STEP: 3

See general installation guide regarding footing information for the middle slide support. Using two (2) M8\*20 bolts, two (2) M8 spring washers, and two (2) M8 washers, attach the middle slide support post.



## STEP: 4

Using one (1) M10\*45 bolt, two (2) M10 washers, and two (2) M10 lock nuts, attach one side of the slide to the deck.





# 4-foot Right Turn Slide Installation

## STEP: 5

Using one (1) M8\*45 bolt, one (1) M8 washer, one (1) M12 washer, and one (1) M12 inner hex spiral nut, attach the slide to one side of the slide hood. Repeat this process for the other side of the slide.

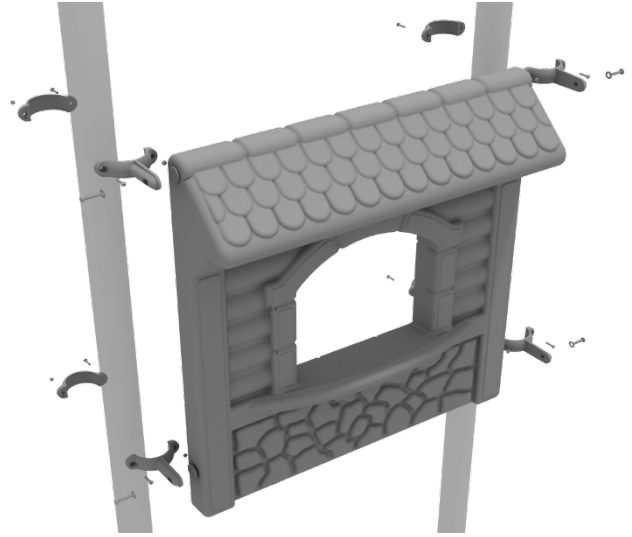




# 3.5-inch Store Panel Installation

## STEP: 1

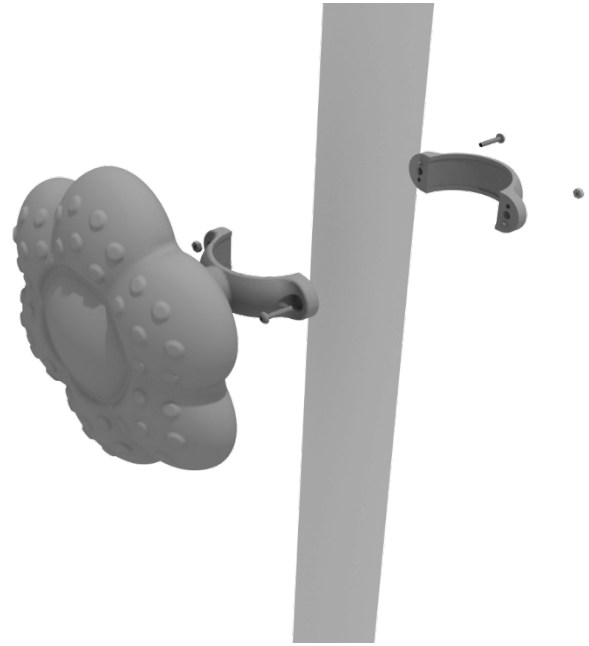
Attach the Store Panel to the designated posts using four (4) 3.5-inch flat clamps, and four (4) M8\*25 bolts.



# Rain Wheel Installation

## STEP: 1

Detach half of the tube clamp connected to the Rain Wheel, and re-attach the clamp around the support post, as shown in the picture. Recommended install height is 20 to 36 inches above surfacing depending on age range.



# Single Drum Installation

## STEP: 1

Detach half of the tube clamps connected to the Single Drum, and re-attach the clamps around the support post, as shown in the image. Recommended install height is 20 to 36 inches above surfacing depending on age range.

