

STEP: 1

**DO NOT CEMENT POSTS INTO PLACE
UNTIL THE ENTIRE STRUCTURE IS
ASSEMBLED.**

Refer to the General Installation
guide footing information and dig
proper holes for the support posts.



Half Hex Deck Installation

STEP: 1

After the posts are in place, using five (5) M10*35 bolts, ten (10) M10 washers, and five (5) M10 lock nuts, attach the deck to each pre-attached deck clamp as shown in the image.

Deck clamps are pre-attached to the posts and should not be altered in any way.



Half Hex Deck Connect to Half Hex Deck

STEP: 1

When installing decks that are adjacent to one another at the same height, they should be bolted together. On the underside of the deck, install using four (4) M10*25 Bolts, eight (8) M10 Washers, and four (4) M10 Lock Nuts. Repeat this process for every set of adjacent decks.

Square Deck Installation

STEP: 1

After the posts are in place, using four (4) M10*35 Bolts, eight (8) M10 Washers, and four (4) M10 Lock Nuts, attach each square deck to each pre-attached deck clamp as shown in the image.

Deck clamps are pre-attached to the posts and should not be altered in any way.



Right Triangle Deck Installation

STEP: 1

After the posts are in place, using three (3) M10*35 bolts, six (6) M10 washers, and three (3) M10 lock nuts, attach the triangle deck to each pre-attached deck clamp as shown in the image.

Deck clamps are pre-attached to the posts and should not be altered in any way.



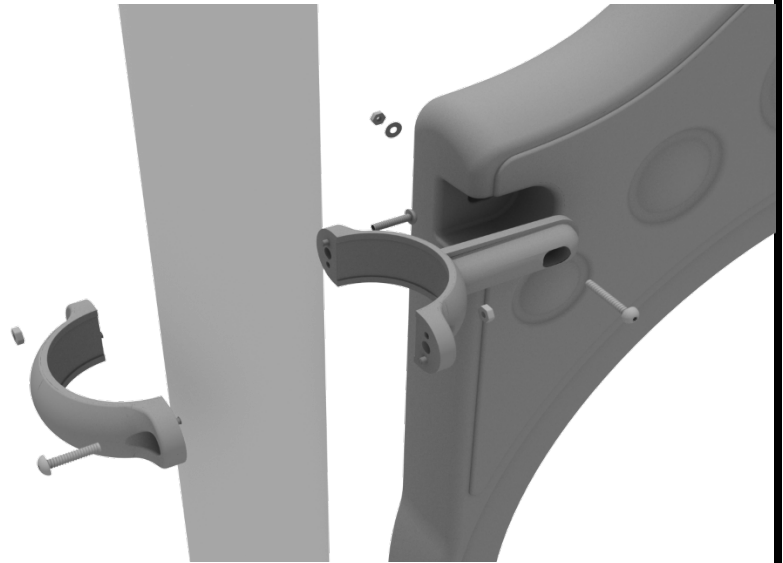
3.5-inch Clamp Installation Examples

The following three pages will include examples of how to install some of the most common types of Clamps that are present on our structures that use 3.5-inch outside diameter posts. The structure that you are assembling might not require all the types of clamps listed in these examples.

The Install Guides for specific components that come later in this document might call for a specific type of clamp (a tube clamp for example), those sections will not include detailed instructions for the clamps and should direct you back to this section for more detailed information.

3.5-inch Flat Clamp Install Example

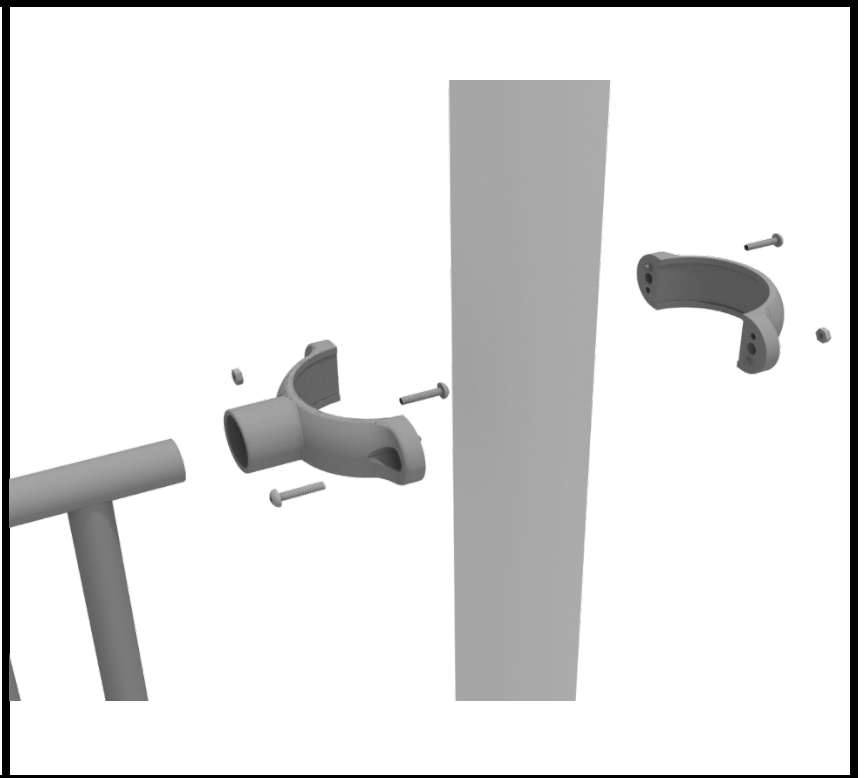
Connect half of the flat clamp to the component using one (1) M8*40 bolt. Then, using the other half of the flat clamp and the hardware provided in the clamp hardware bag, attach the backside of the flat clamp around the post.



3.5-inch Clamp Installation Examples

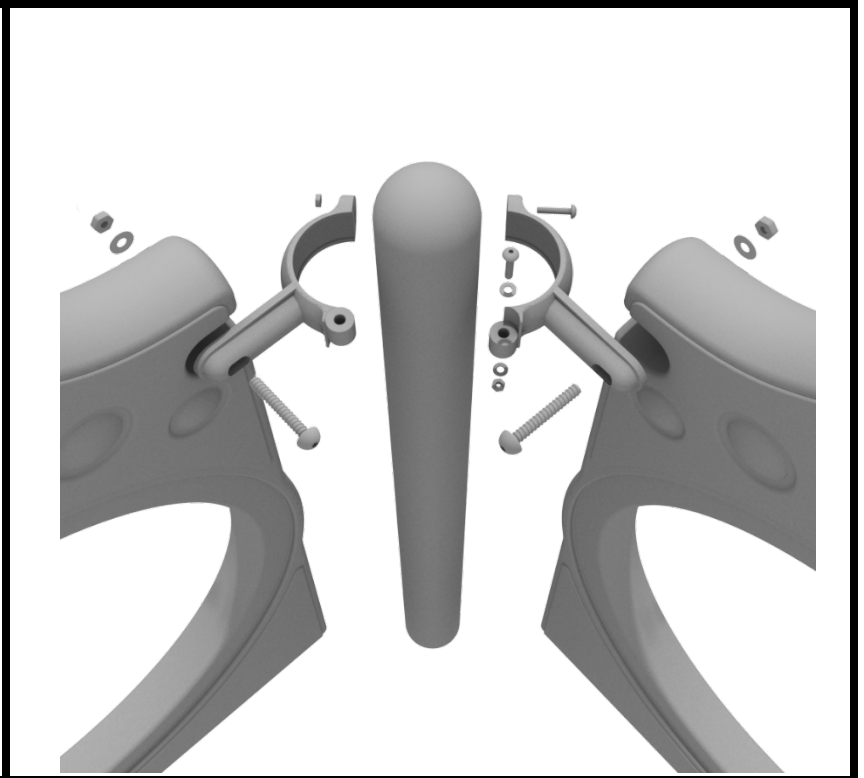
3.5-inch Tube Clamp Install Example

Connect half of the clamp to the component using one (1) M8*30 bolt. Then, using the other half of the tube clamp and the hardware provided in the clamp hardware bag, attach the backside of the tube clamp around the post.



3.5-inch 90-Degree Flat Clamp Install Example

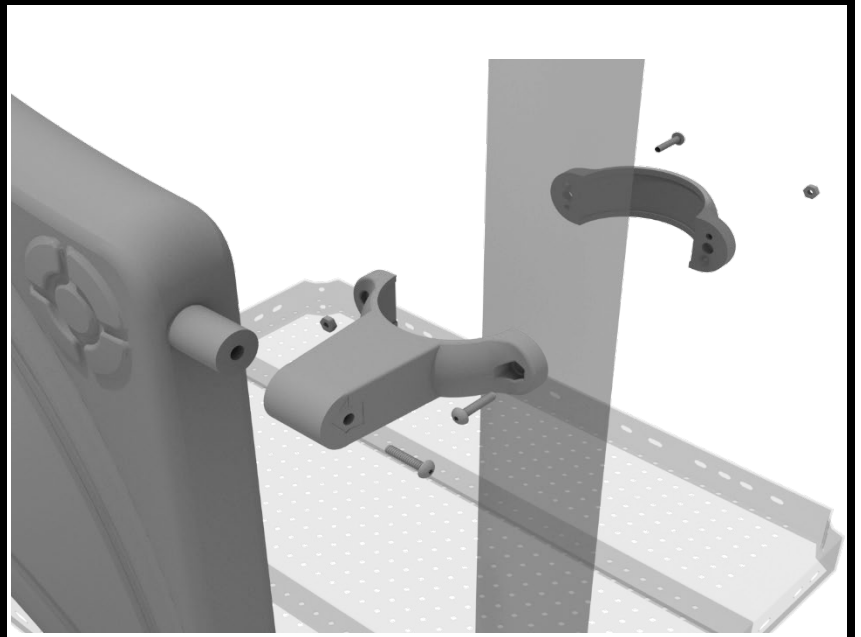
Connect half of the flat clamp to one panel using one (1) M8*40 bolt. Then, using the other half of the flat clamp and the hardware provided in the clamp hardware bag, attach the other half of the tube clamp around the post. Then, attach the next panel to the other side of the clamp using the same process.



3.5-inch Clamp Installation Examples

3.5-inch Double Slide Clamp Install Example

Connect half of the double slide clamp to the double slide hood using one (1) M8*30 bolt. Then, using the other half of the clamp and the hardware provided in the clamp hardware bag, attach the backside of the double slide clamp around the post.



36" Transfer Station (for 3.5" post) Install

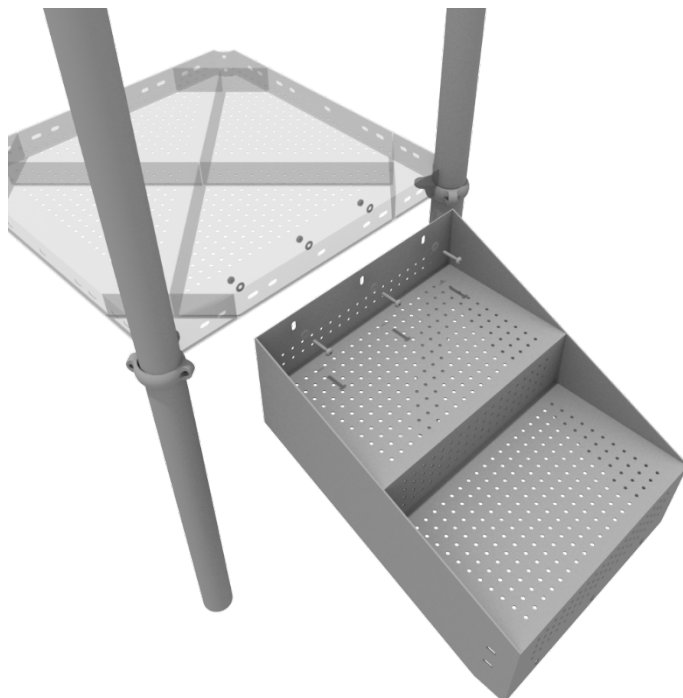
STEP: 1

Connect half of the 3.5-inch tube clamp to the handrail using one (1) M8*25 bolt. Set the handrail into place, then attach the second half of the clamp using the hardware provided in the clamp bag. Repeat this process for the other handrail.



STEP: 2

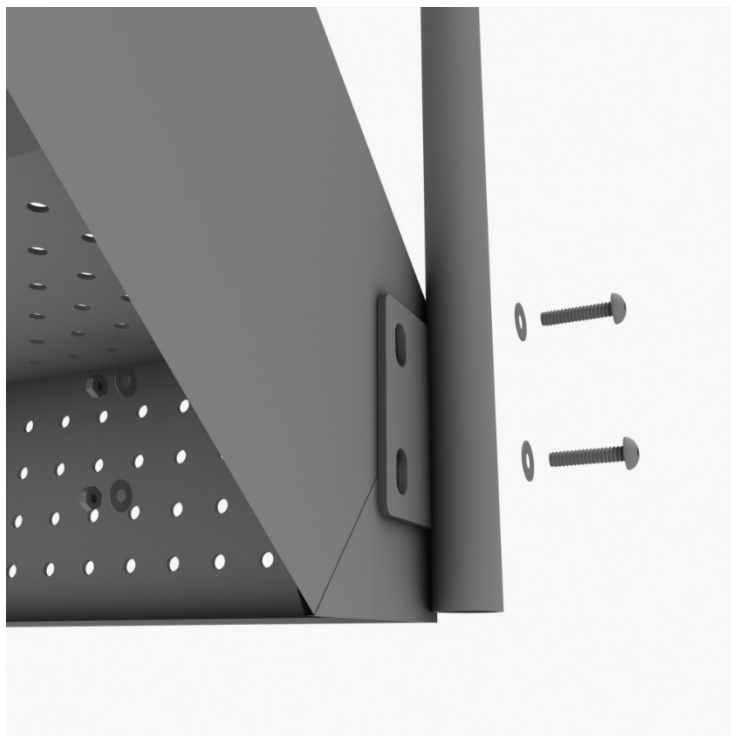
Using three (3) M10*25 bolts, six (6) M10 washers, and three (3) M10 lock nuts, attach the top of the stairs to the square deck.



36" Transfer Station (for 3.5" post) Install

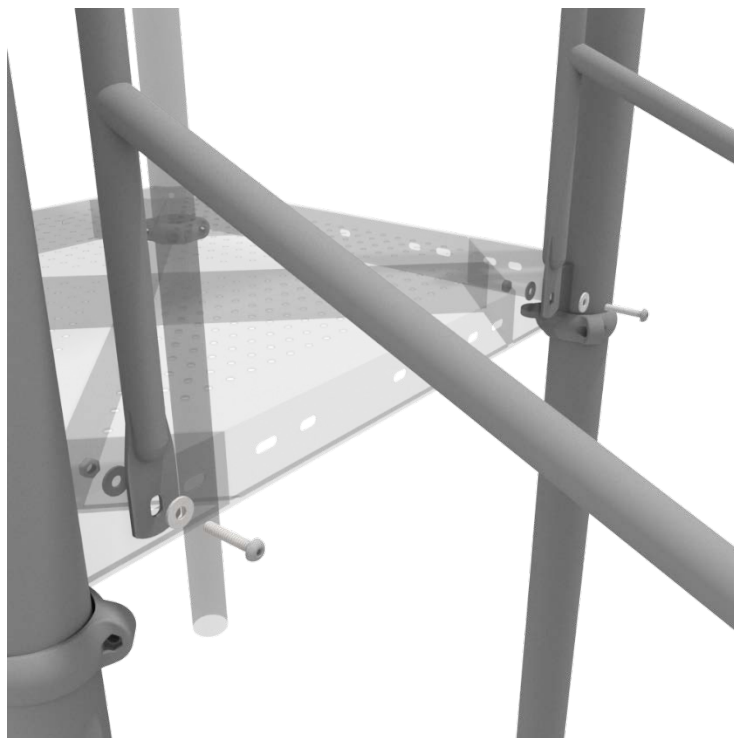
STEP: 3

Using four (4) M10*25 bolts, eight (8) M10 washers, and four (4) M10 lock nuts, connect the bottom of the handrails to the bottom of the 3-foot transfer stair.



STEP: 4

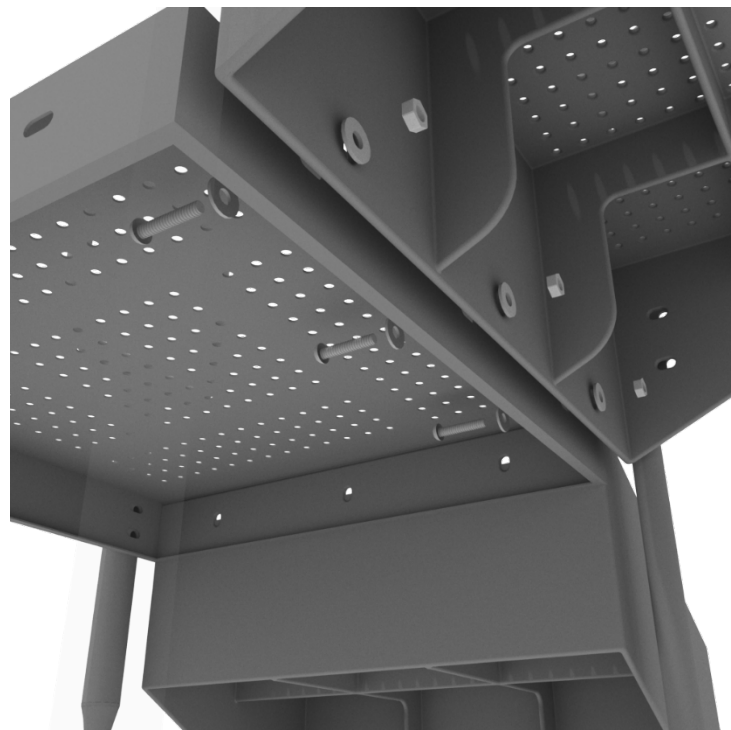
Using two (2) M10*25 bolts, four (4) M10 washers, two (2) lock nuts, attach the handrail to the square deck.



36" Transfer Station (for 3.5" post) Install

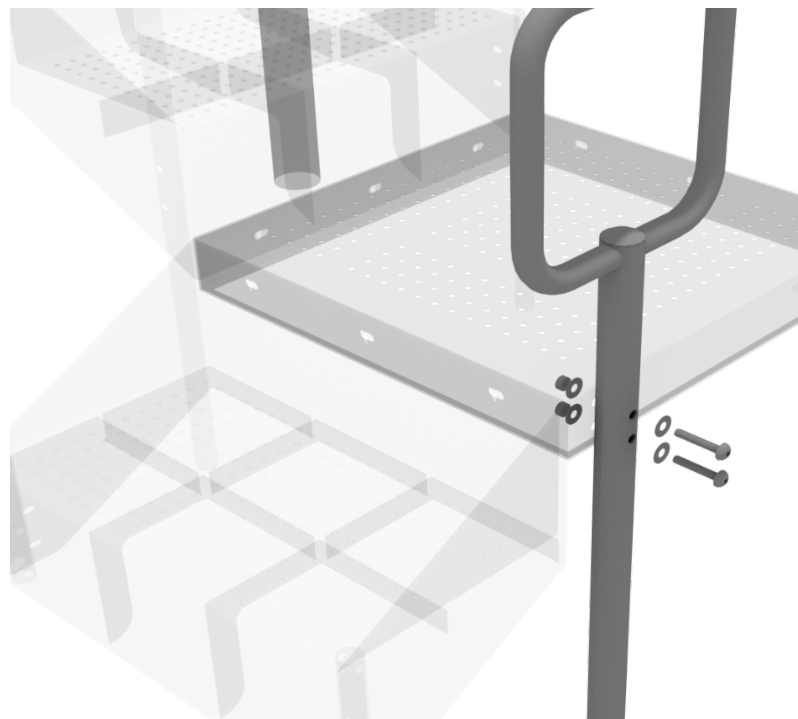
STEP: 5

Using three (3) M10*25 bolts, six (6) M10 washers, and three (3) M10 lock nuts, attach the ADA transfer deck to the base of the 3-foot ADA transfer stair.



STEP: 6

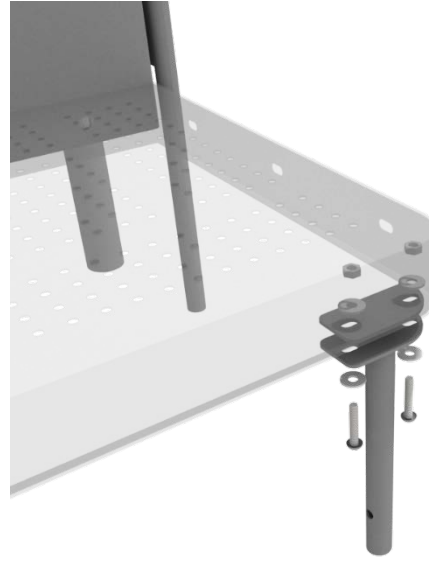
See general installation guide regarding footing information for the transfer deck handrail & mount. Using two (2) M10*65 bolts, four (4) M10 washers, and two (2) M10 lock nuts, attach the transfer handrail to the ADA transfer deck.



36" Transfer Station (for 3.5" post) Install

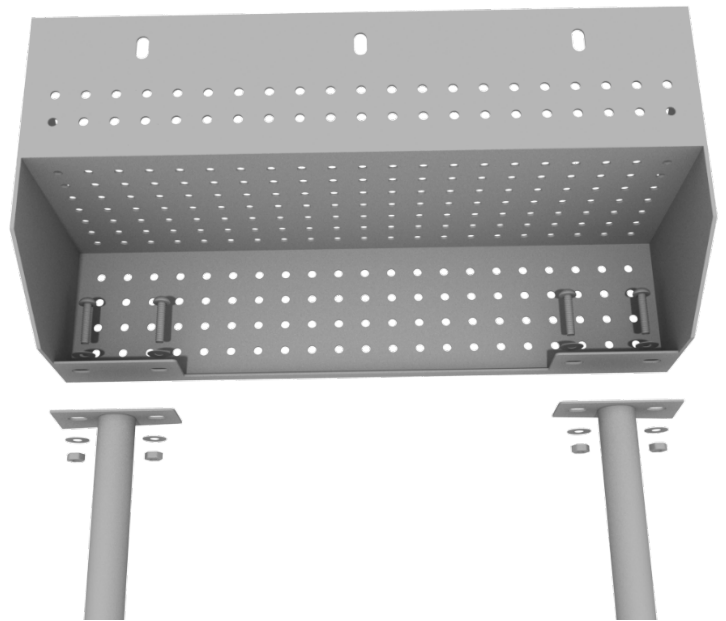
STEP: 7

Using two (2) M10*25 bolts, four (4) M10 washers, and two (2) lock nuts, attach the transfer deck mount to the ADA transfer deck.



STEP: 8

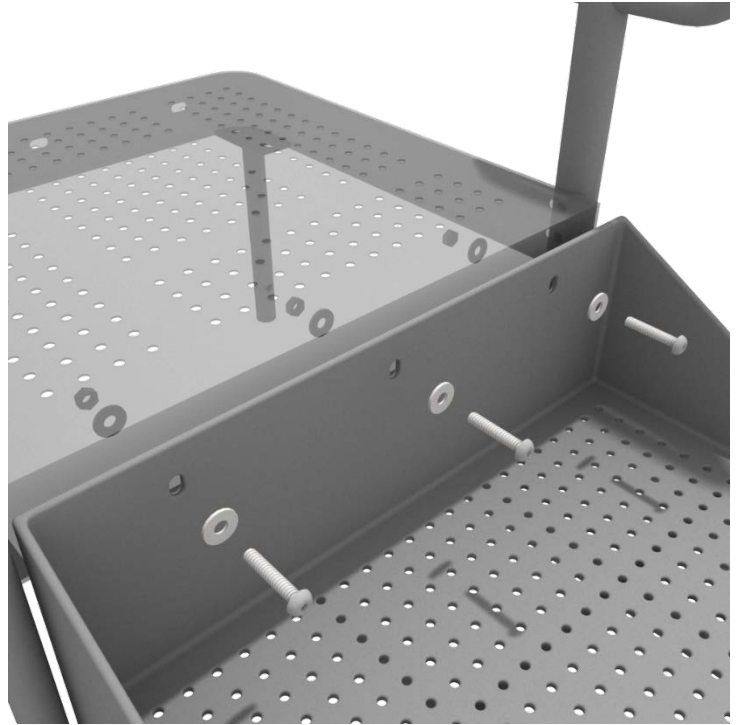
See general installation guide regarding footing information for the ADA transfer step mount. Using two (2) M10 bolts, four (4) M10 washers, and two (2) M10 lock nuts, attach the transfer step to each ADA transfer step mount.



36" Transfer Station (for 3.5" post) Install

STEP: 9

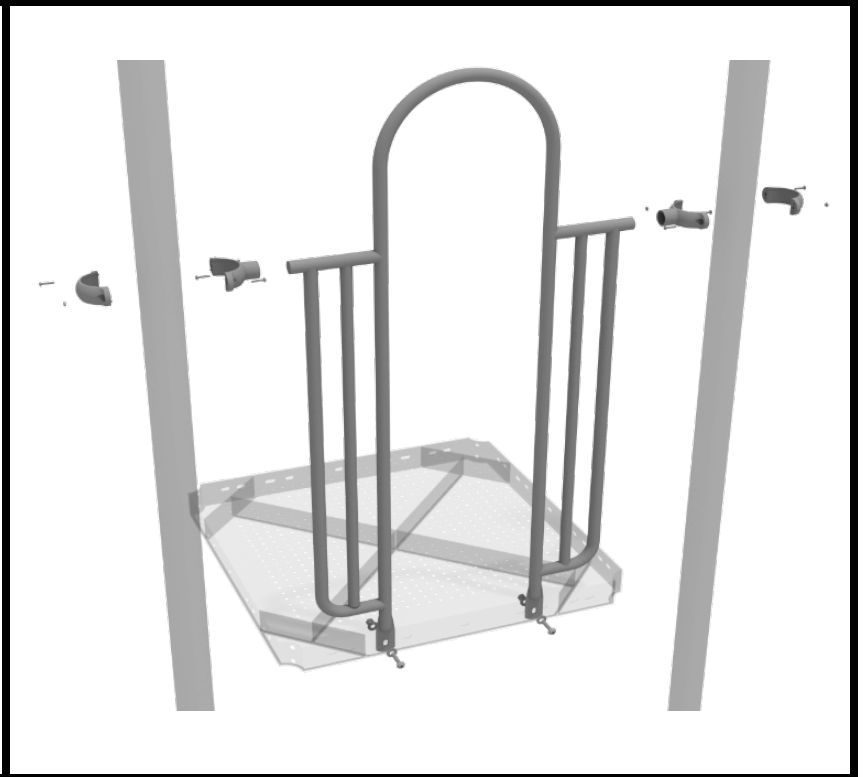
Using three (3) M10*25 bolts, six (6) M10 washers, and three (3) M10 washers, attach the top of the ADA transfer step to the ADA transfer deck.



3.5-inch 2-Clamp Arch Rail Installation

STEP: 1

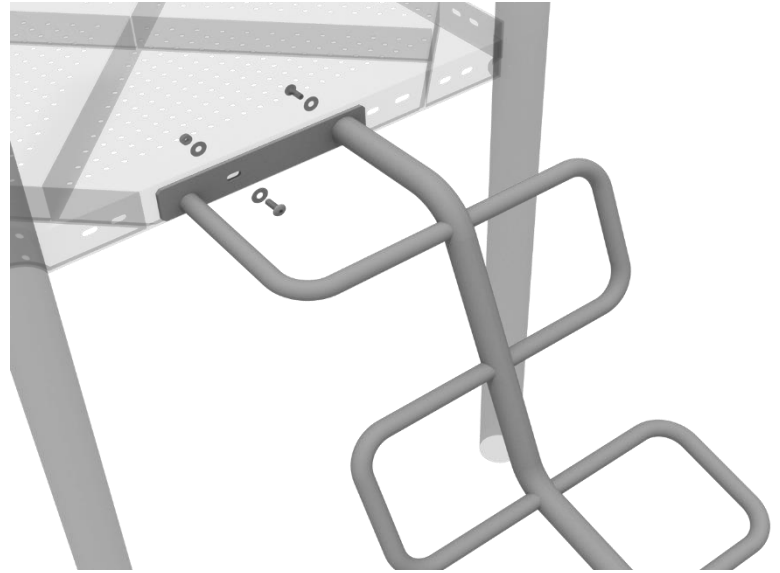
Attach the Arch Rail to the designated posts by connect half of the tube clamp to the arch rail using one (1) M8*25 bolt. Repeat this process for each post attachment point. Then, attach the rail to the deck using two (2) M10*25 bolts, four (4) M10 washers, and two (2) M10 lock nuts. Finally, attach the second half of the clamp around the post.



Wavy Snake Climber Installation

STEP: 1

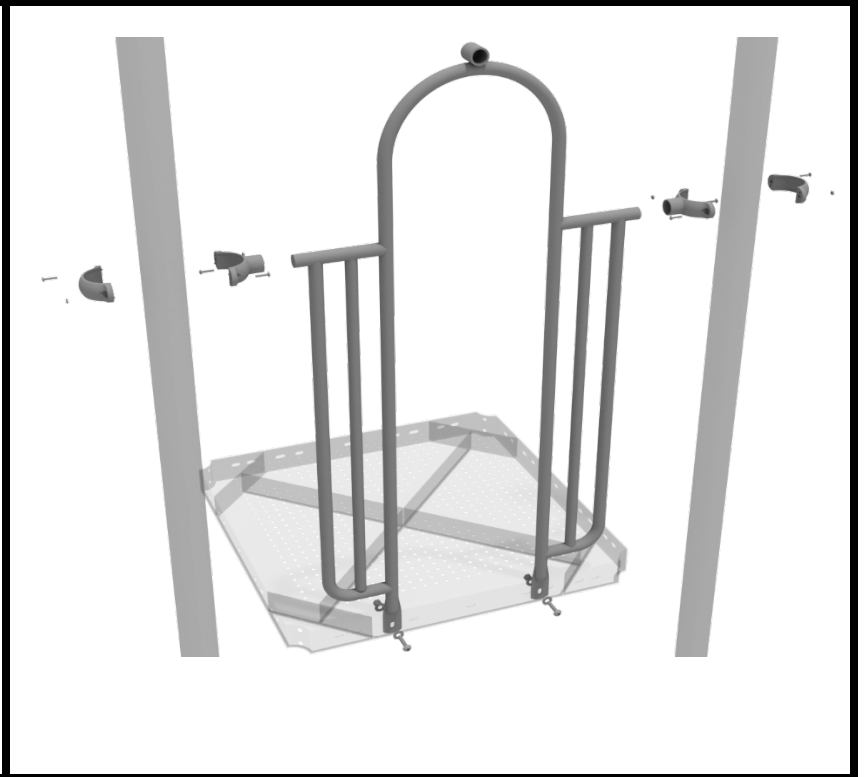
See general installation guide regarding footing information for the Wavy Snake climber. For the pre-threaded bolt slot, use one (1) M10*25 bolt, and one (1) M10 washer. For the other bolt slot, use one (1) M10*25 bolt, two (2) M10 washers, and one (1) M10 lock nut.



3.5-inch 2-Clamp Arch Rail Installation

STEP: 1

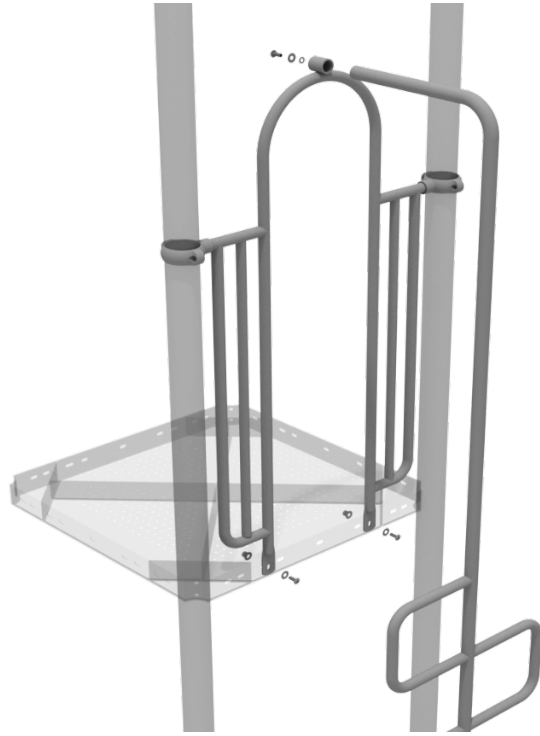
Attach the Arch Rail to the designated posts by connect half of the tube clamp to the arch rail using one (1) M8*25 bolt. Repeat this process for each post attachment point. Then, attach the rail to the deck using two (2) M10*25 bolts, four (4) M10 washers, and two (2) M10 lock nuts. Finally, attach the second half of the clamp around the post.



Snake Climber Installation

STEP: 1

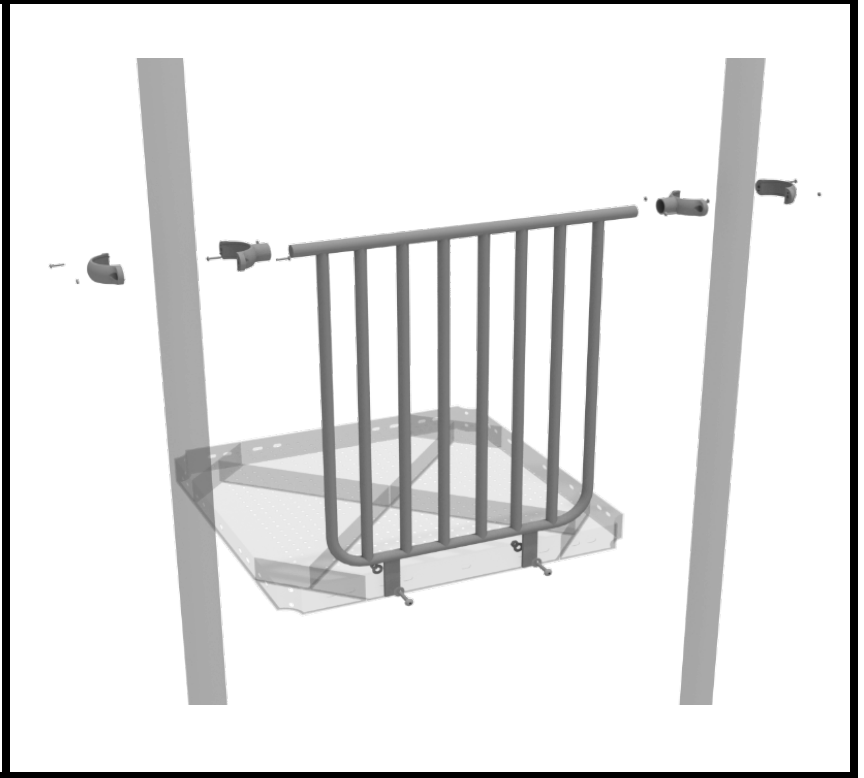
See general installation guide regarding footing information for the snake climber. Attach the top of the climber to the designated arch rail top bracket using one (1) M10*30 bolt, one (1) M10 spring washer, and one (1) M10 washer.



3.5-inch Metal Barrier Installation

STEP: 1

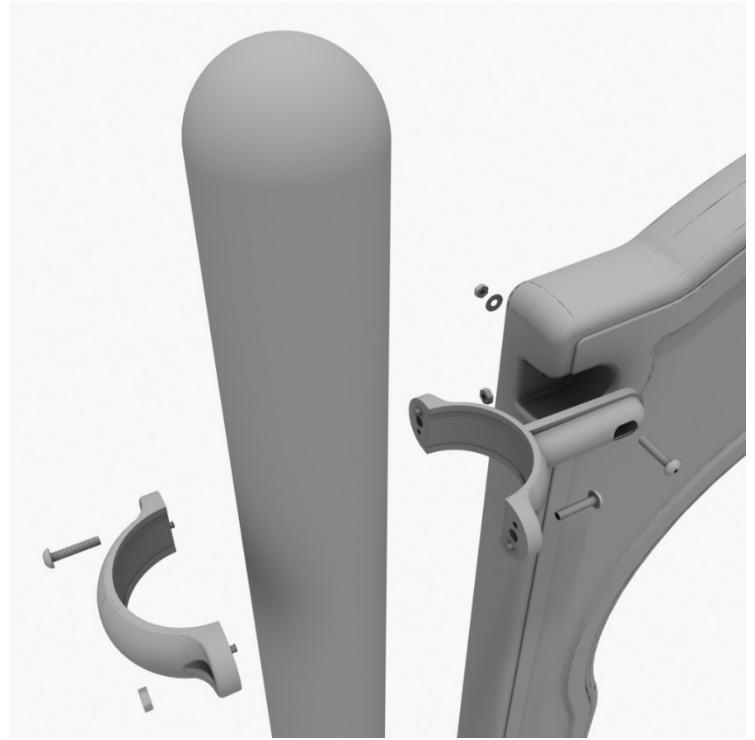
Attach the metal barrier to the designated posts using two (2) tube clamps two (2) M8*25 bolts. Then, attach the bottom of the metal barrier to the deck using two (2) M10*25 bolts, four (4) M10 washers, and two (2) M10 lock nuts.



4-foot Single Straight Slide Installation

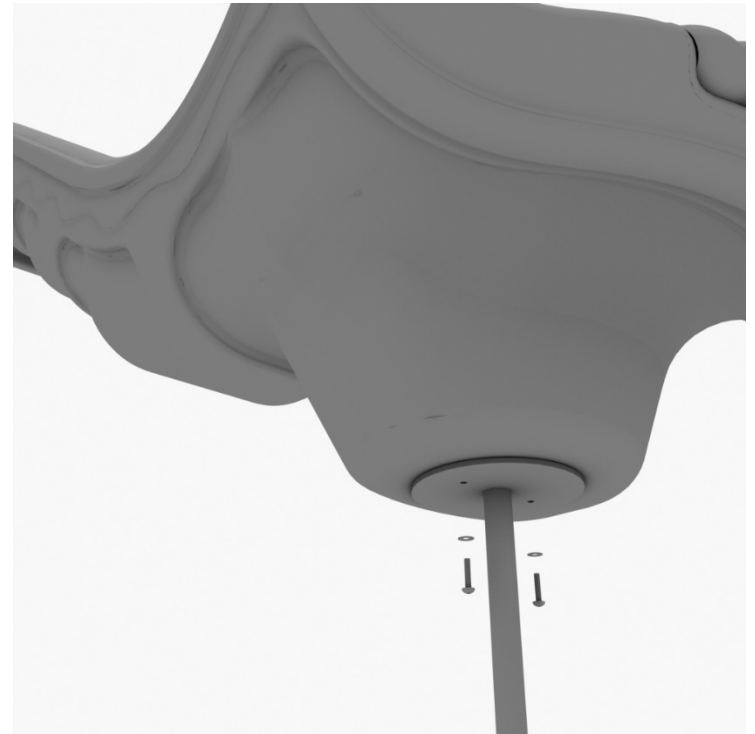
STEP: 1

Take one (1) 3.5-inch flat clamp, and loosely attach it around a post using the bolts and nuts provided in the clamp hardware bag. Repeat this process on the other post. Then, use one (1) M8*40 bolt, one (1) M8 washer, and one (1) M8 lock nut to attach each side of the slide hood to each clamp. Leave bolts loose until slide is in place.



STEP: 2

See general installation guide regarding footing information for the slide end mount. Using two (2) M8*20, two (M8) spring gaskets. And two (2) M8 washers, attach the slide to the slide support post.



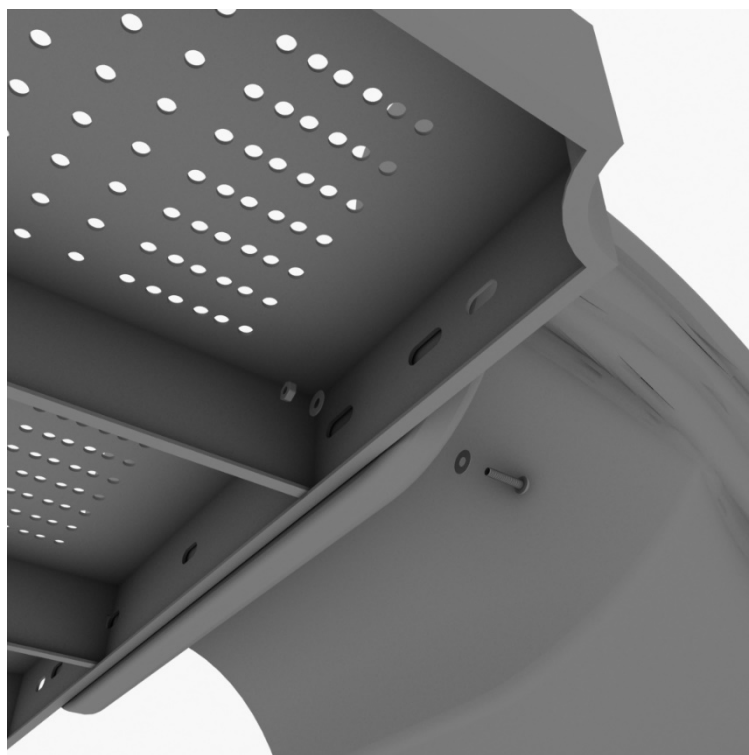
1 Playground Drive
Greenfield, IN 46140
1-800-667-0097

Created By: Aaron Price
Date: 03/19/2018

4-foot Single Straight Slide Installation

STEP: 3

Using one (1) M10*45 bolt, two (2) M10 washers, and two (2) M10 lock nuts, attach one side of the slide to the deck.



STEP: 4

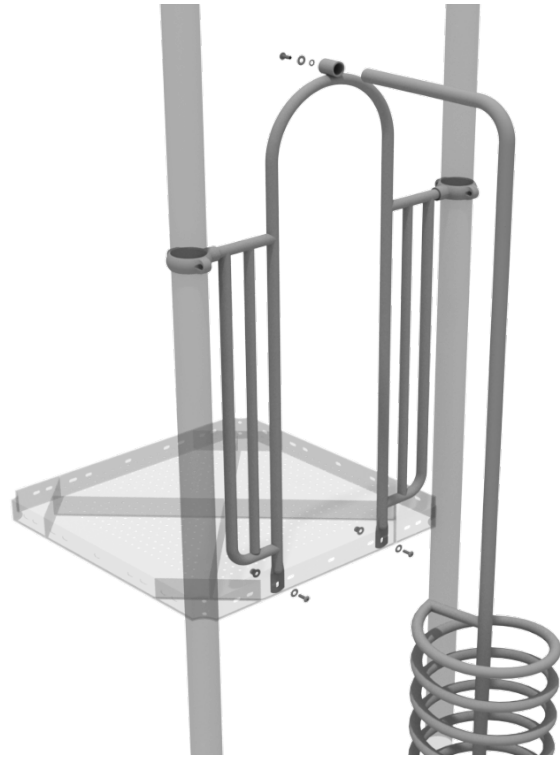
Using one (1) M8*45 bolt, one (1) M8 washer, one (1) M12 washer, and one (1) M12 inner hex spiral nut, attach the slide to one side of the slide hood. Repeat this process for the other side of the slide.



Spiral Climber Installation

STEP: 1

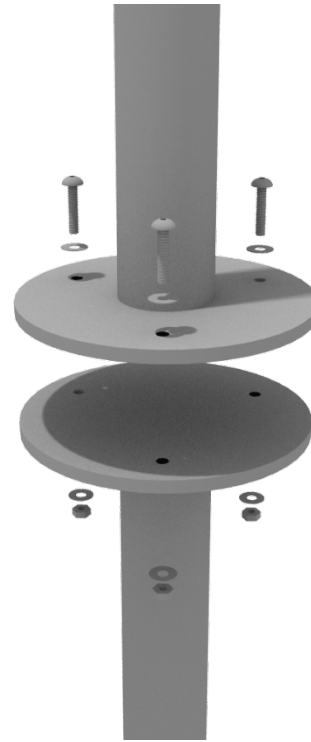
See general installation guide regarding footing information for the spiral climber. Attach the top of the climber to the designated arch rail top bracket using one (1) M10*30 bolt, one (1) M10 spring washer, and one (1) M10 washer.



Pod Climber Installation

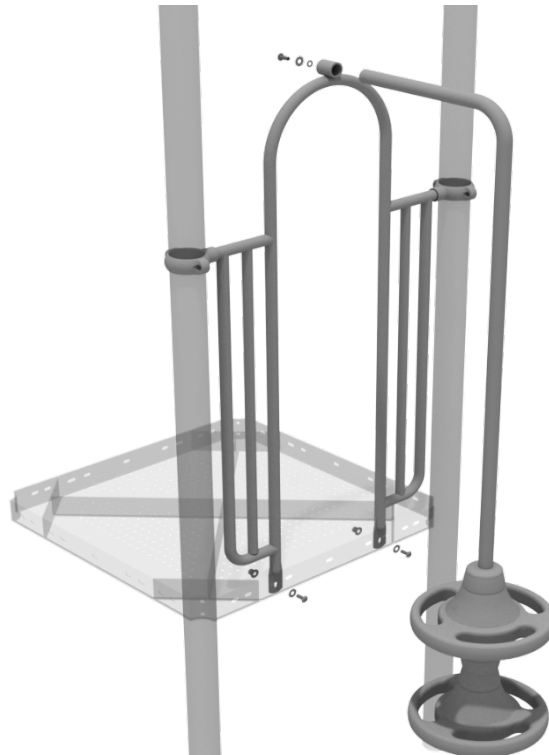
STEP: 1

See general installation guide regarding footing information for the pod climber. Attach the circle end mount to the bottom of the climber using the pre-attached hardware. Each attachment uses three (3) M10*20 bolts, three (3) M10 spring gaskets, and one (3) M10 large gaskets.



STEP: 2

Attach the top of the climber to the designated arch rail top bracket using one (1) M10*30 bolt, one (1) M10 spring washer, and one (1) M10 washer.



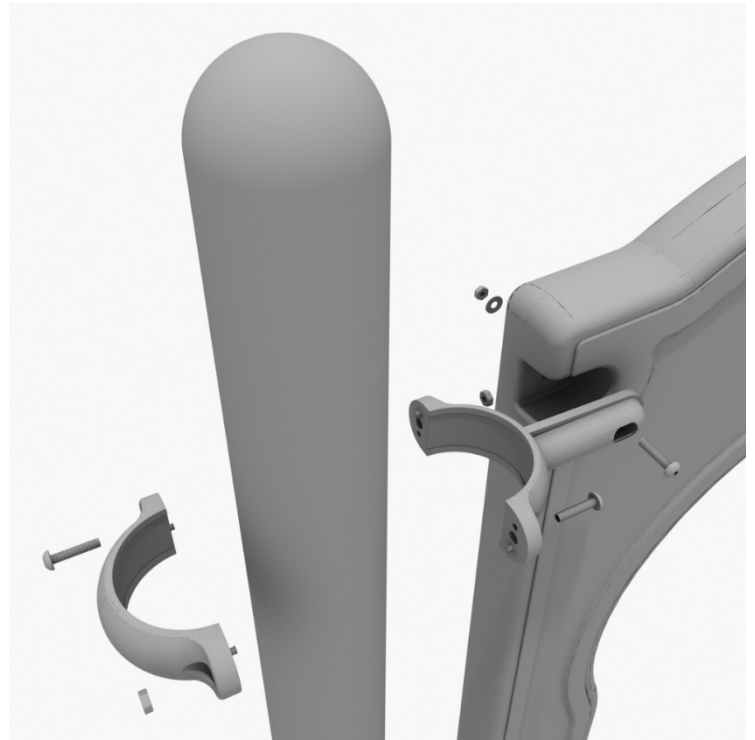
1 Playground Drive
Greenfield, IN 46140
1-800-667-0097

Created By: Aaron Price
Date: 03/21/2018

6-foot Single Straight Slide Installation

STEP: 1

Take one (1) 3.5-inch flat clamp, and loosely attach it around a post using the bolts and nuts provided in the clamp hardware bag. Repeat this process on the other post. Then, use one (1) M8*40 bolt, one (1) M8 washer, and one (1) M8 lock nut to attach each side of the slide hood to each clamp. Leave bolts loose until slide is in place.



STEP: 2

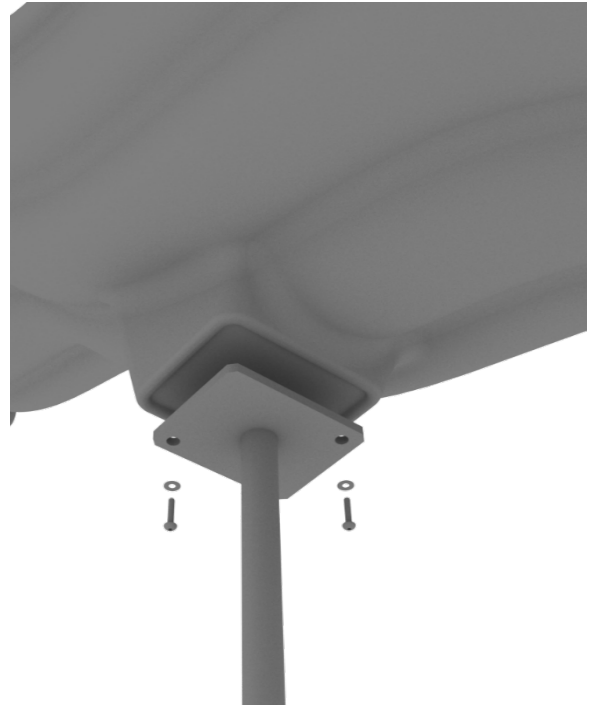
See general installation guide regarding footing information for the slide end mount. Using two (2) M8*20, two (M8) spring washers. And two (2) M8 washers, attach the slide to the slide support post.



6-foot Single Straight Slide Installation

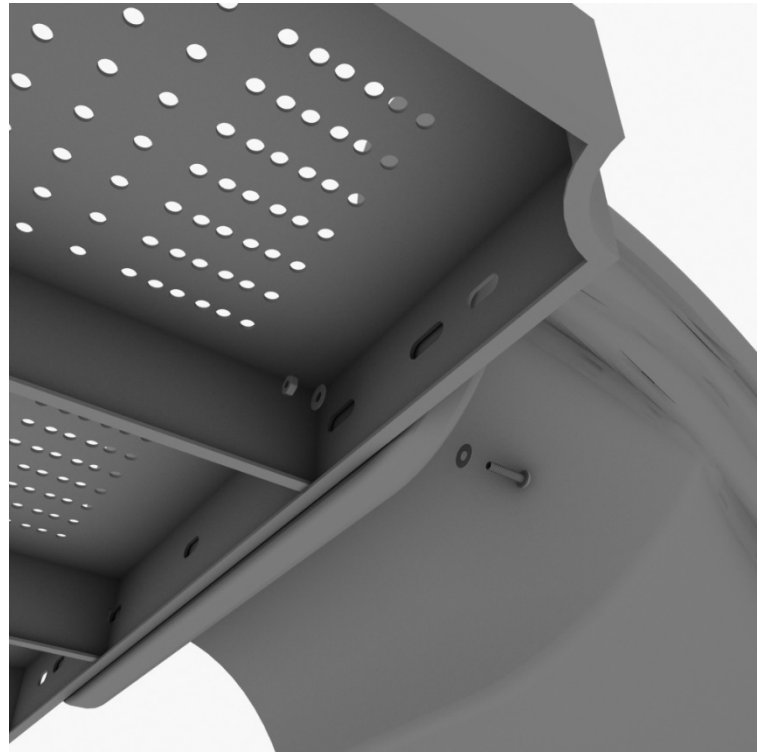
STEP: 3

See general installation guide regarding footing information for the middle slide support. Using two (2) M8*20 bolts, two (2) M8 spring washers, and two (2) M8 washers, attach the middle slide support post. Repeat the process for each middle slide mount.



STEP: 4

To attach a single slide to a deck, use two (2) M10*45 bolts, four (4) M10 washers, and two (2) M10 lock nuts. Repeat this process for the other side of the slide. Repeat this process for each single slide.



6-foot Single Straight Slide Installation

STEP: 5

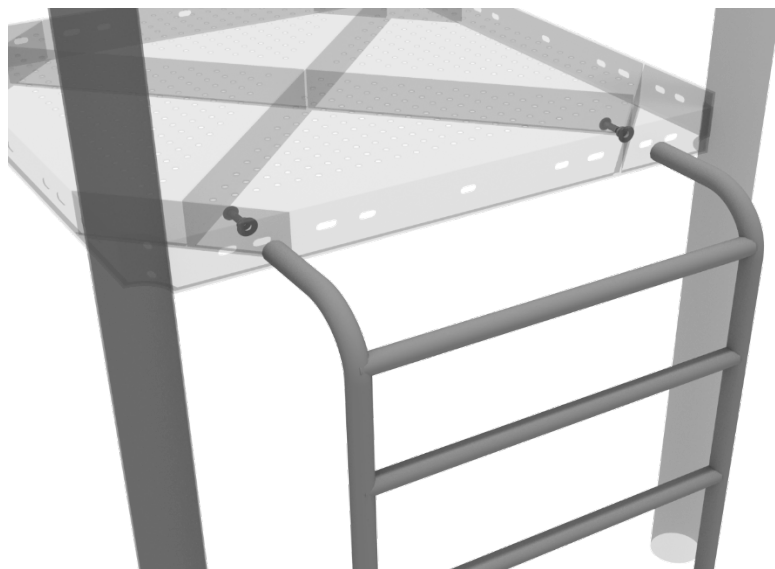
Using two (2) M8*45 bolts, two (2) M8 washer, two (2) M12 washers, and one (1) M12 inner hex spiral nut, attach the slide to the slide hood. Repeat this process for the other side of the slide.



6-foot Vertical Ladder Installation

STEP: 1

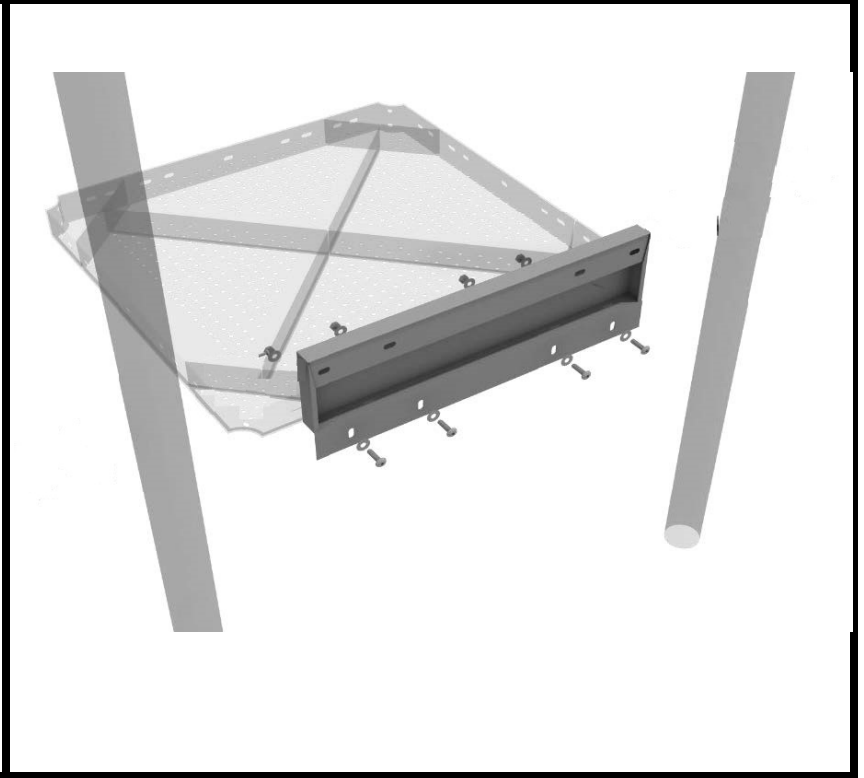
See general installation guide regarding footing information for the 6-foot Vertical Ladder. Attach the ladder to the deck using two (2) M10*25 bolts, two (2) M10 spring washers, and two (2) M10 washers.



Spiral Slide Kickplate Installation

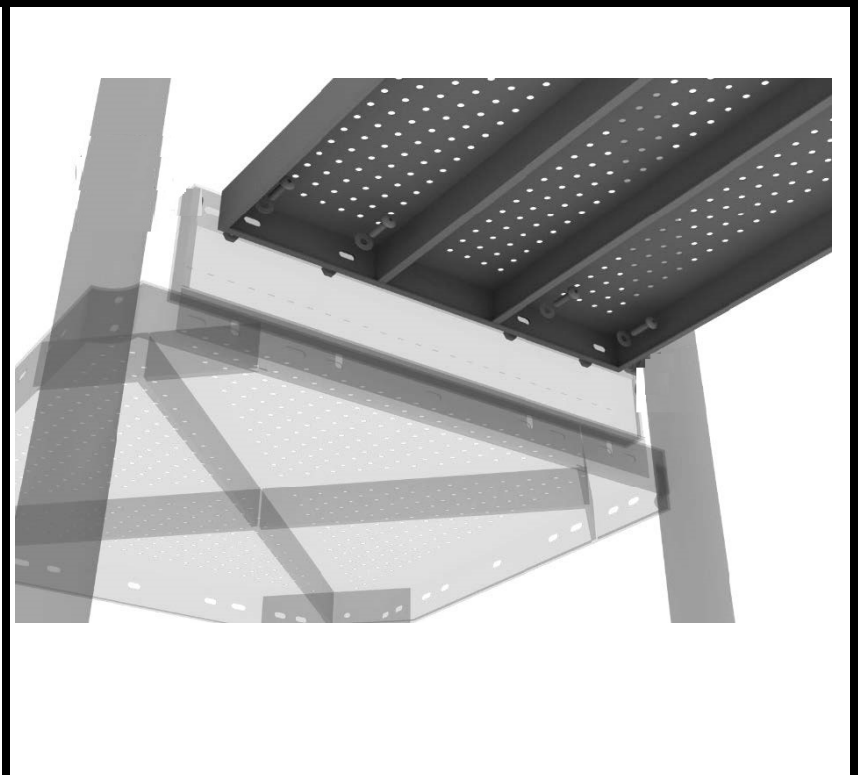
STEP: 1

Attach the spiral slide kick plate to the proper square deck using four (4) M10*25 bolts, eight (8) M10 washers, four (4) M10 lock nuts.



STEP: 2

Attach the spiral slide deck to the top of the spiral slide kick plate using four (4) M10*25 bolts, eight (8) M10 washers, and four (4) M10 lock nuts.



Spiral Slide Installation

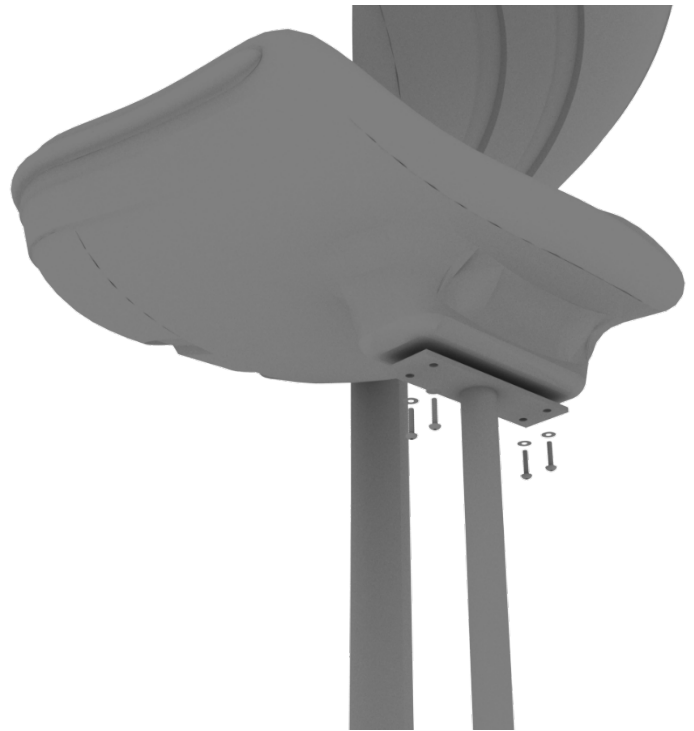
STEP: 3

Attach the Spiral Slide Deck Support Post to the Spiral Slide Deck using two (2) M10*25 Bolts, four (4) M10 Washers, and two (2) M10 Lock Nuts.



STEP: 4

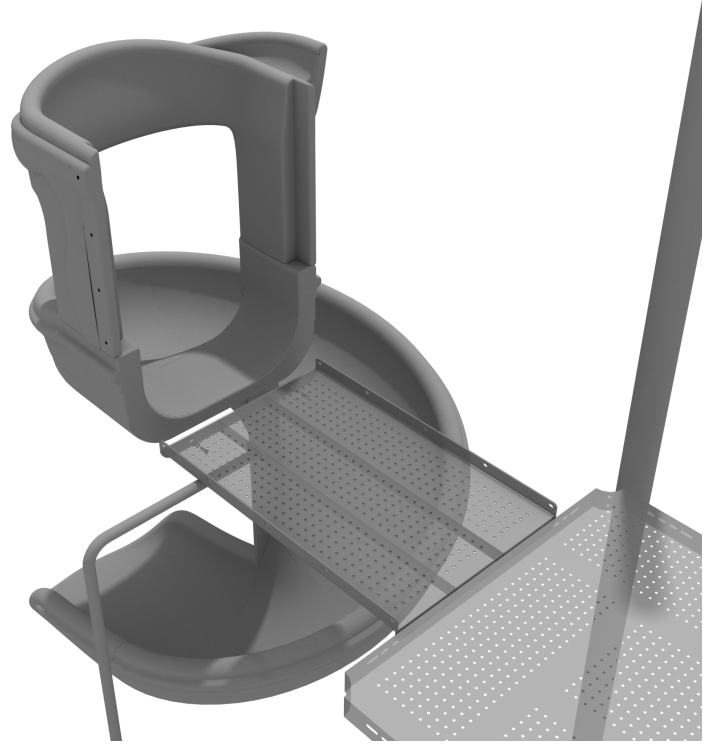
Connect the Spiral Slide Mount to the bottom of the Spiral Slide using four (4) M10*20 Bolts, four (4) M10 Spring Gaskets, and four (4) M10 Washers. Refer to the General Installation Guide for information on slide footings.



Spiral Slide Installation

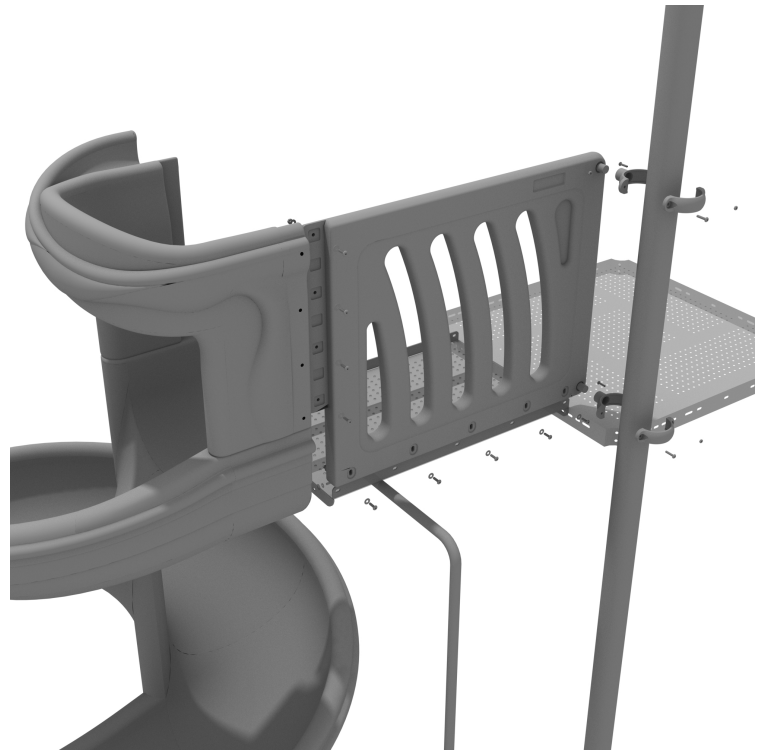
STEP: 5

See general installation guide regarding footing information for slides and support posts. Connect the Spiral Slide to the Spiral Slide Deck using three (3) M10*20 Bolts, three (3) M10 Spring Gaskets, and three (3) M10 Washers.



STEP: 6

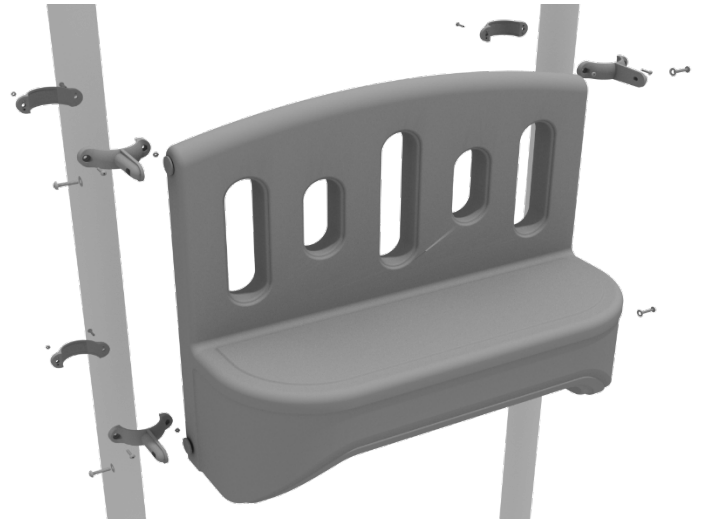
Attach the Spiral Slide Handrail to the Spiral Slide Deck using five (5) M8*60 Bolts, five (5) M8 Washers, five (5) M12 Washers, and five (5) M12 Inner Hex Nuts. Connect spiral slide panels to slide using four (4) M10*50 bolts, eight (8) M10 washers, four (4) M10 lock nuts for each panel. Connect the handrails to the posts using two (2) tube clamps. Repeat this process for the other handrail.



3.5inch Bench Panel Installation

STEP: 1

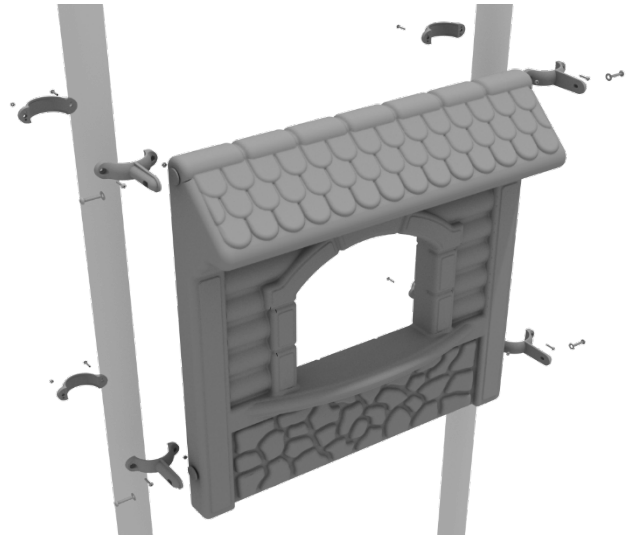
Attach the Bench Panel to the designated posts using four (4) 3.5-inch flat clamps, and four (4) M8*25 bolts.



3.5-inch Store Panel Installation

STEP: 1

Attach the Store Panel to the designated posts using four (4) 3.5-inch flat clamps, and four (4) M8*25 bolts.

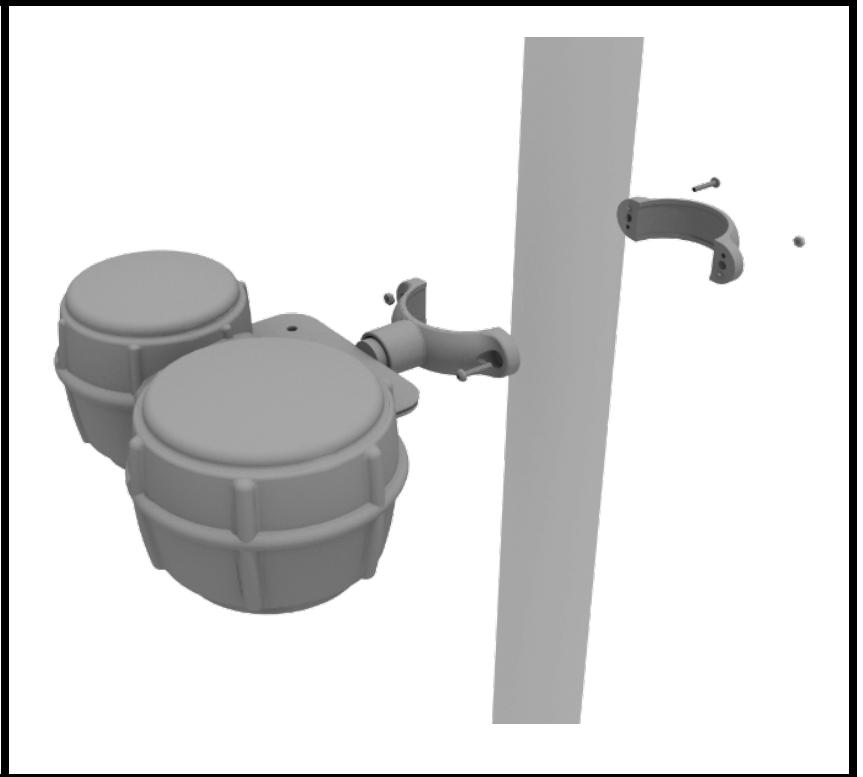


Bongos Installation

Detach half of the tube clamp connected to the Bongos, and re-attach the clamp around the support post, as shown in the image. Recommended install height is 20 to 36 inches above surfacing depending on age range.

We recommend using Thread-locking fluid on bolts connecting Bongos to clamp to prevent hardware from loosening over time.

(Thread-locker not supplied)



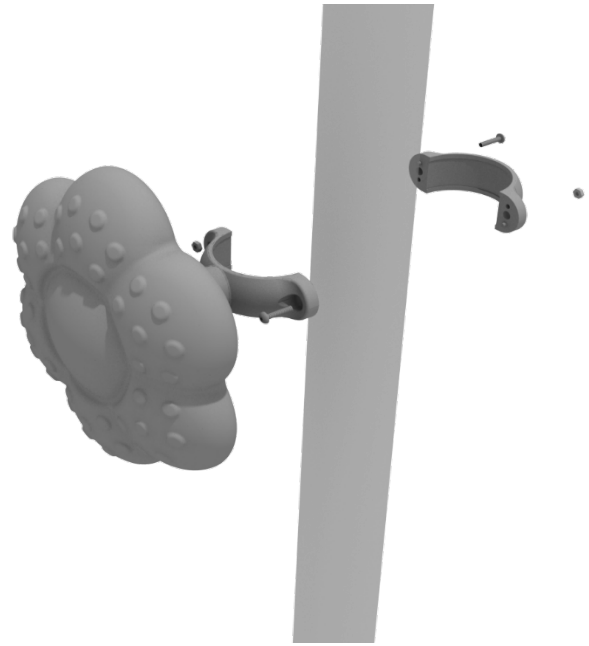
Rain Wheel Installation

Detach half of the tube clamp connected to the Rain Wheel, and re-attach the clamp around the support post, as shown in the picture.

Recommended install height is 20 to 36 inches above surfacing depending on age range.

We recommend using Thread-locking fluid on bolts connecting Rain wheel to clamp to prevent hardware from loosening over time.

(Thread-locker not supplied)

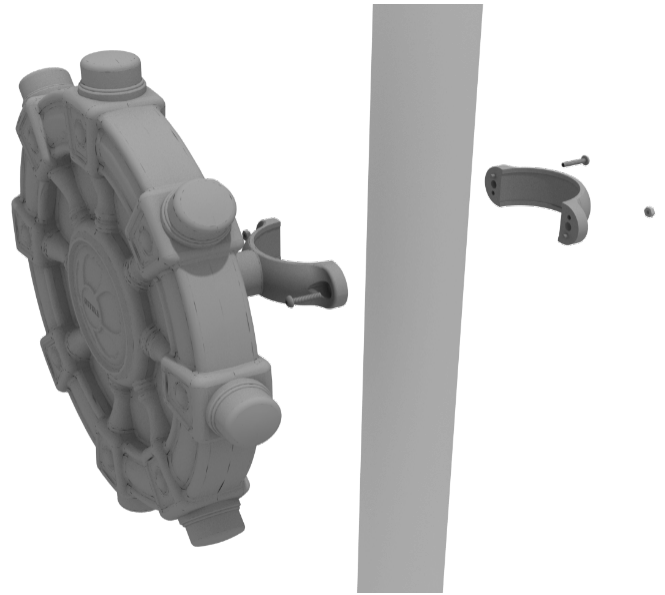


Ships Wheel Installation

Detach half of the tube clamp connected to the Ships Wheel, and re-attach the clamp around the support post, as shown in the picture. Recommended install height is 20 to 36 inches above surfacing depending on age range.

We recommend using Thread-locking fluid on bolts connecting Ship's wheel to clamp to prevent hardware from loosening over time.

(Thread-locker not supplied)

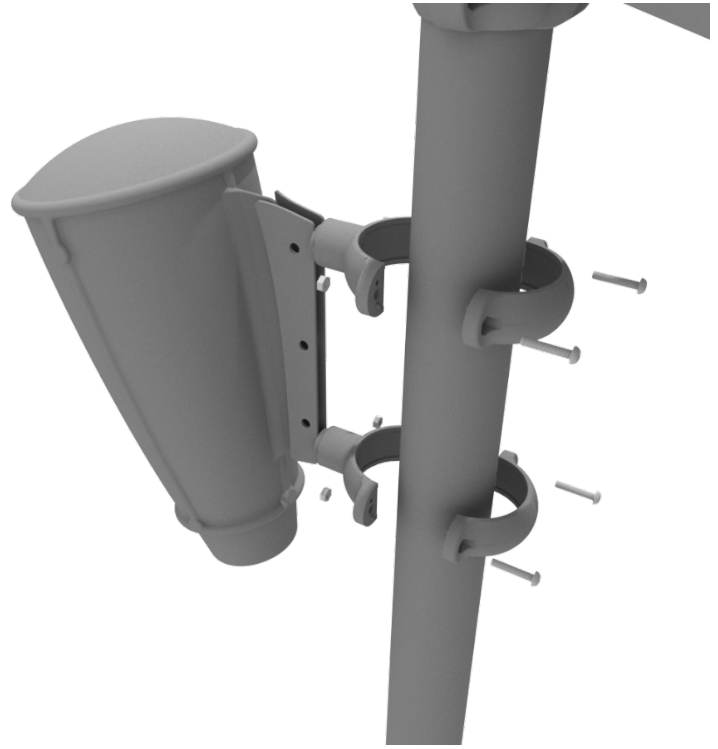


Single Drum Installation

Detach half of the tube clamps connected to the Single Drum, and re-attach the clamps around the support post, as shown in the image. Recommended install height is 20 to 36 inches above surfacing depending on age range.

We recommend using Thread-locking fluid on bolts connecting Single Drum to clamp to prevent hardware from loosening over time.

(Thread-locker not supplied)



Swinging Ring Ladder Installation

STEP: 1

Attach the Overhead Swinging Ring Ladder to the designated posts by connect half of the tube clamp to the ladder using one (1) M8*30 bolt.

Repeat this process for each attachment point. Set the climber into place, then attach the second half of the clamp around the post.



Overhead Climber Clamp Support

Once clamps are installed on structure, secure clamp to post by using hardware provided. Use one bolt cap with cover, one washer, one screw. Drill into the backside of the clamp.

