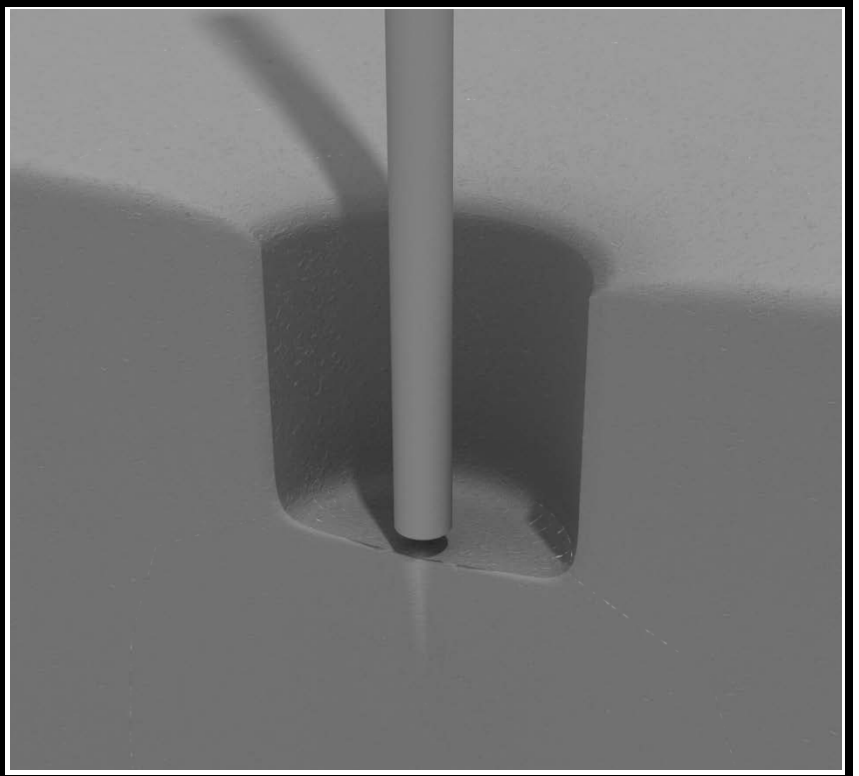


STEP: 1

**DO NOT CEMENT POSTS INTO PLACE
UNTIL THE ENTIRE STRUCTURE IS
ASSEMBLED.**

Refer to the General Installation
guide footing information and dig
proper holes for the support posts.



Square Deck Installation

STEP: 1

After the posts are in place, using four (4) M10*35 Bolts, eight (8) M10 Washers, and four (4) M10 Lock Nuts, attach each square deck to each pre-attached deck clamp as shown in the image.

Deck clamps are pre-attached to the posts and should not be altered in any way.



Right Triangle Deck Installation

STEP: 1

After the posts are in place, using three (3) M10*35 bolts, six (6) M10 washers, and three (3) M10 lock nuts, attach the triangle deck to each pre-attached deck clamp as shown in the image.

Deck clamps are pre-attached to the posts and should not be altered in any way.



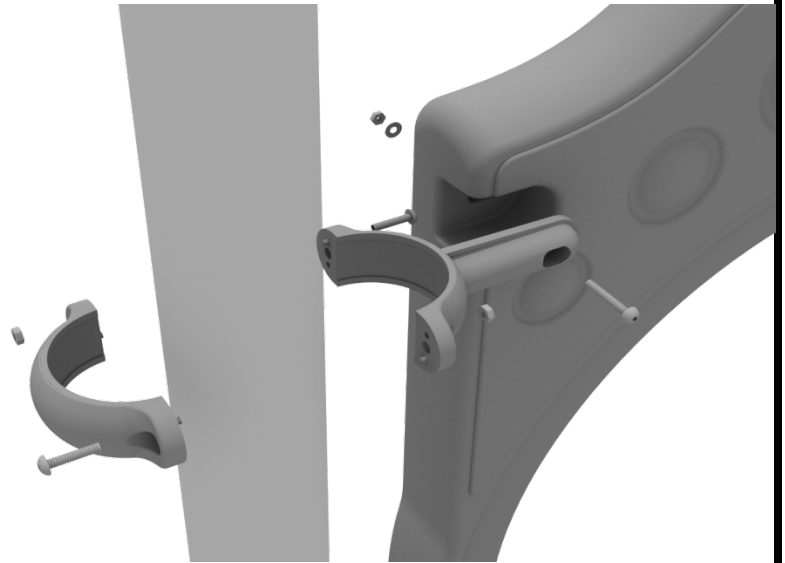
3.5-inch Clamp Installation Examples

The following three pages will include examples of how to install some of the most common types of Clamps that are present on our structures that use 3.5-inch outside diameter posts. The structure that you are assembling might not require all the types of clamps listed in these examples.

The Install Guides for specific components that come later in this document might call for a specific type of clamp (a tube clamp for example), those sections will not include detailed instructions for the clamps and should direct you back to this section for more detailed information.

3.5-inch Flat Clamp Install Example

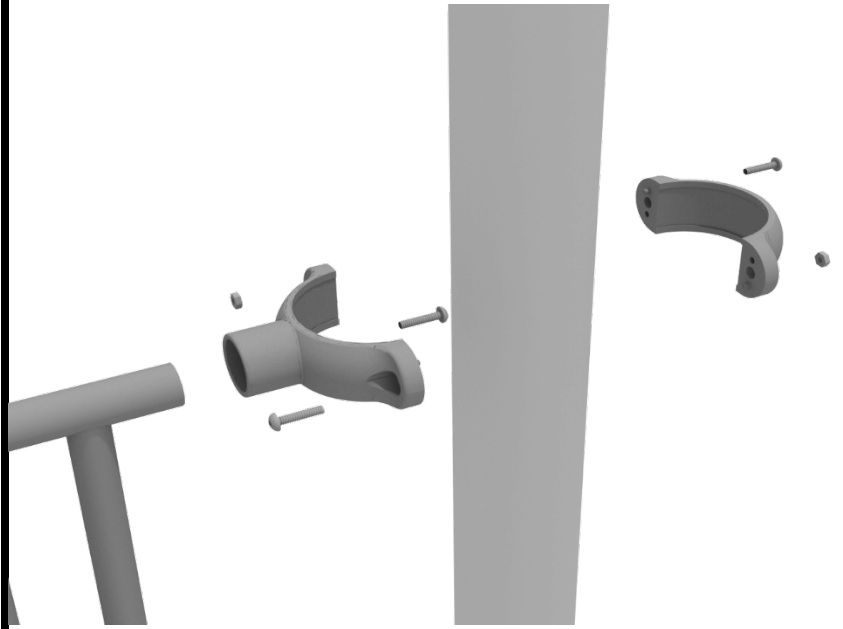
Connect half of the flat clamp to the component using one (1) M8*40 bolt. Then, using the other half of the flat clamp and the hardware provided in the clamp hardware bag, attach the backside of the flat clamp around the post.



3.5-inch Clamp Installation Examples

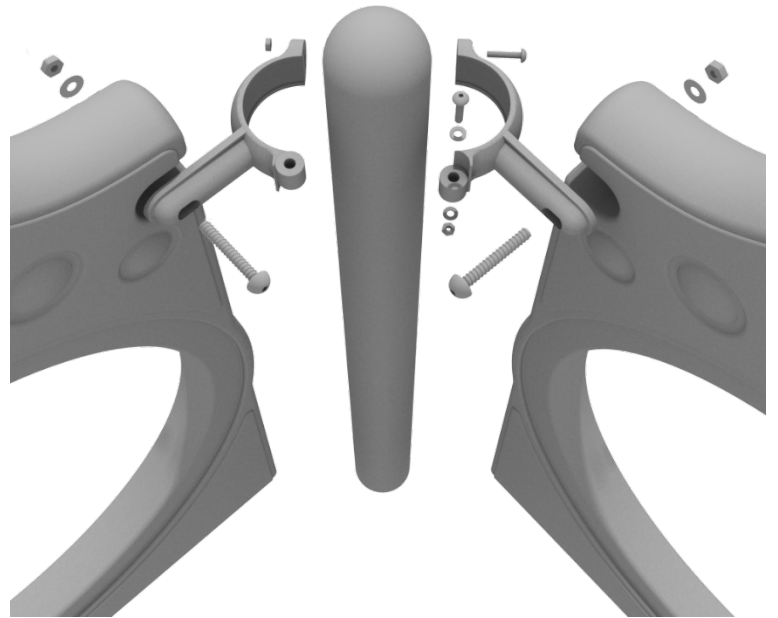
3.5-inch Tube Clamp Install Example

Connect half of the clamp to the component using one (1) M8*30 bolt. Then, using the other half of the tube clamp and the hardware provided in the clamp hardware bag, attach the backside of the tube clamp around the post.



3.5-inch 90-Degree Flat Clamp Install Example

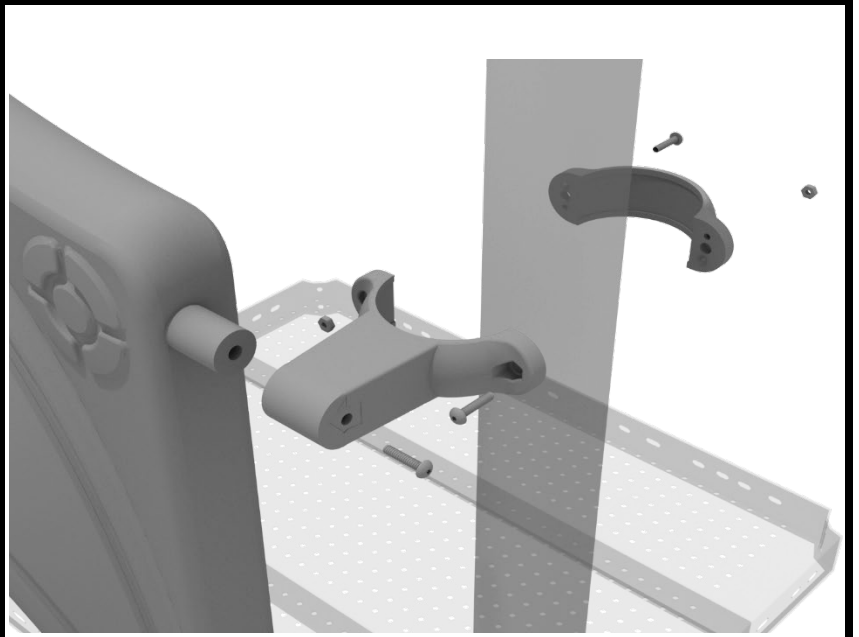
Connect half of the flat clamp to one panel using one (1) M8*40 bolt. Then, using the other half of the flat clamp and the hardware provided in the clamp hardware bag, attach the other half of the tube clamp around the post. Then, attach the next panel to the other side of the clamp using the same process.



3.5-inch Clamp Installation Examples

3.5-inch Double Slide Clamp Install Example

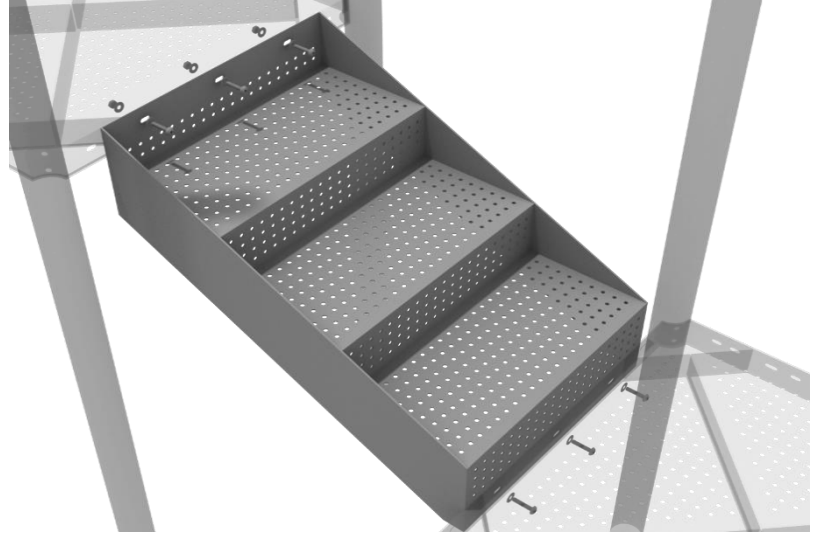
Connect half of the double slide clamp to the double slide hood using one (1) M8*30 bolt. Then, using the other half of the clamp and the hardware provided in the clamp hardware bag, attach the backside of the double slide clamp around the post.



3-foot Middle Stair Installation

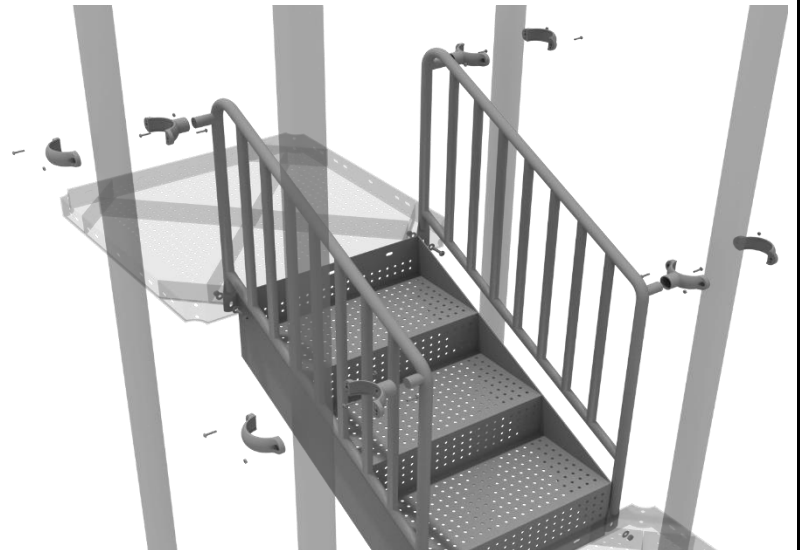
STEP: 1

Using six (6) M10*25 bolts, twelve (12) M10 washers, and six (6) M10 lock nuts, attach the 2-foot connection stair to the assigned decks.



STEP: 2

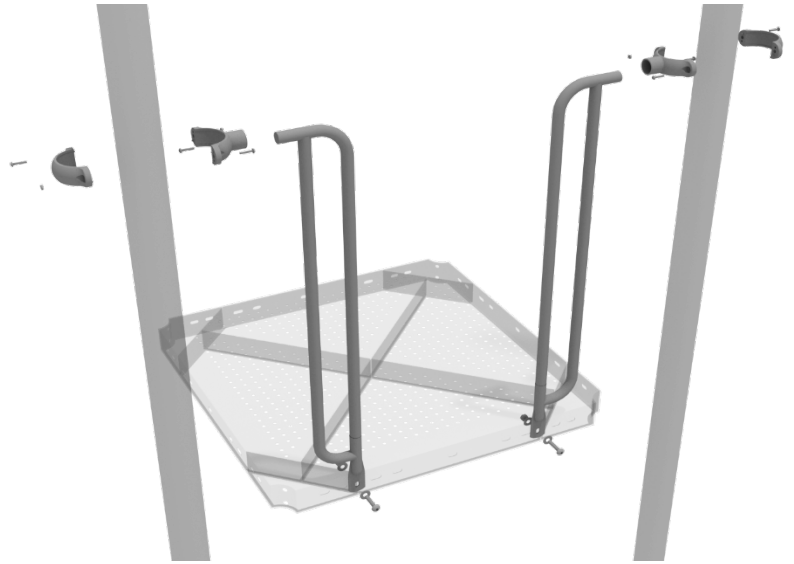
Then, once the stair is in place, attach the 3-foot connection handrail to the posts using four (4) 3.5-inch tube clamps, and four (4) M8*30 bolts. Then, attach the bottom of the handrails to the decks using one (1) M10*25 bolt, two (2) M10 washers, and one (1) M10 lock nut for each attachment point.



7-Rail Installation

STEP: 1

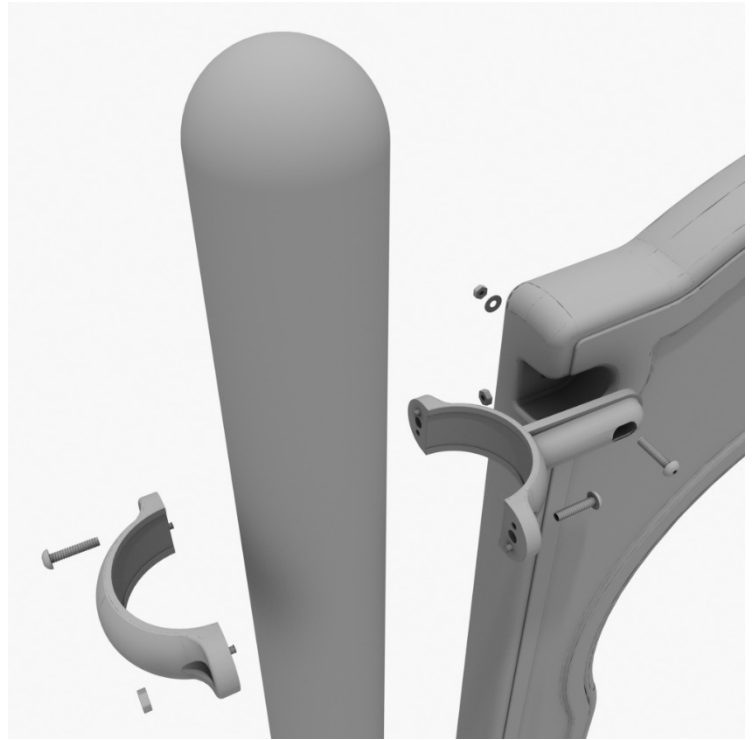
Attach each 7-Rail to the designated posts using one (1) tube clamp and one (1) M8*30 Bolt. Then, attach the bottom of the 7-Rail to the deck using one (1) M10*25 Bolt, two (2) M10 Washers, and one (1) M10 Lock Nut.



5-foot Single Wave Slide Installation

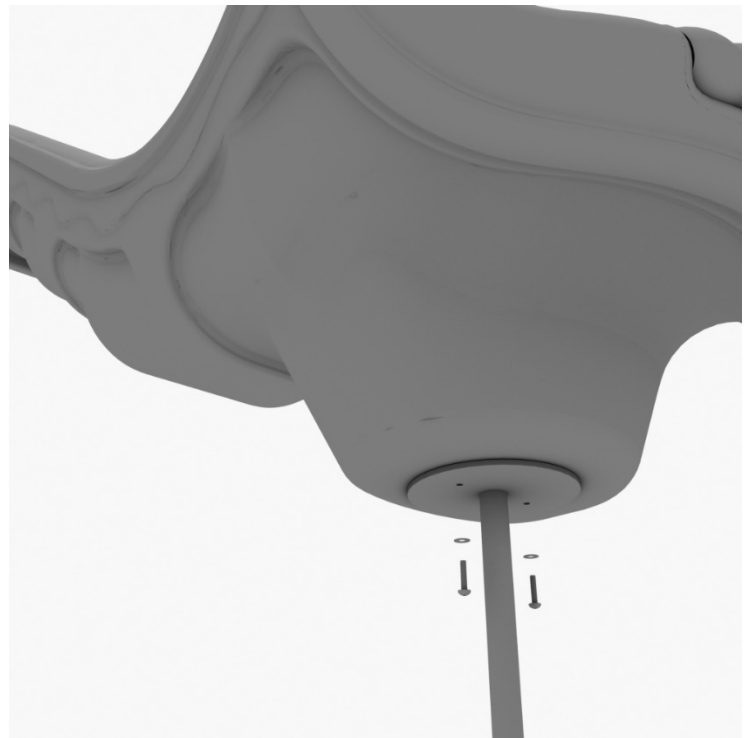
STEP: 1

Take one (1) 3.5-inch flat clamp, and loosely attach it around a post using the bolts and nuts provided in the clamp hardware bag. Repeat this process on the other post. Then, use one (1) M8*40 bolt, one (1) M8 washer, and one (1) M8 lock nut to attach each side of the slide hood to each clamp. Leave bolts loose until slide is in place.



STEP: 2

See general installation guide regarding footing information for the slide end mount. Using two (2) M8*20, two (M8) spring washers. And two (2) M8 washers, attach the slide to the slide support post.



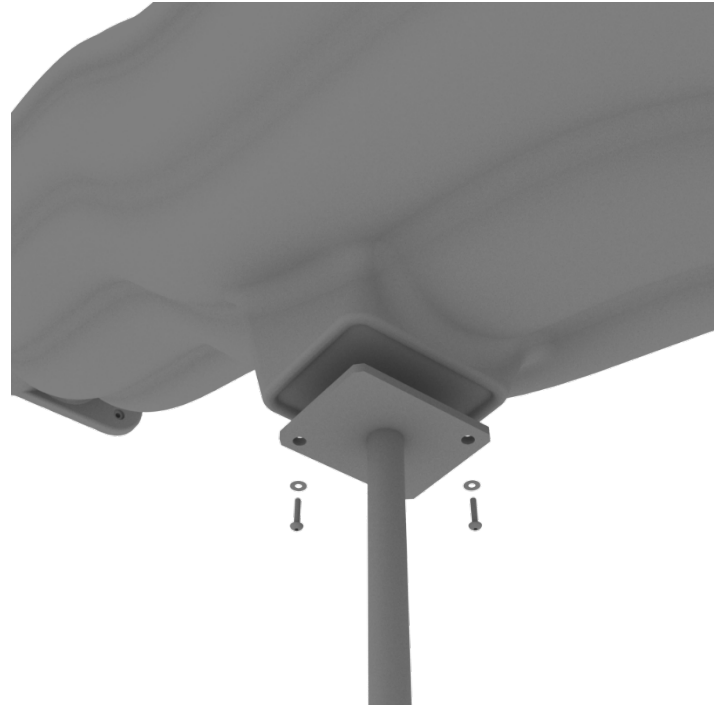
1 Playground Drive
Greenfield, IN 46140
1-800-667-0097

Created By: Aaron Price
Date: 04/10/2018

5-foot Single Wave Slide Installation

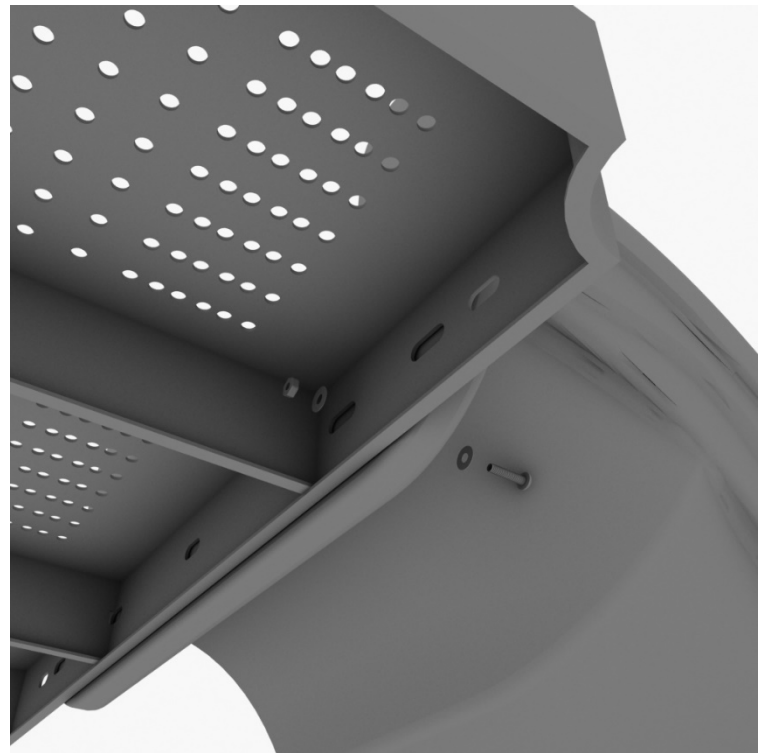
STEP: 3

See general installation guide regarding footing information for the middle slide support. Using two (2) M8*20 bolts, two (2) M8 spring washers, and two (2) M8 washers, attach the middle slide support post. Repeat the process for each middle slide mount.



STEP: 4

To attach a single slide to a deck, use two (2) M10*45 bolts, four (4) M10 washers, and two (2) M10 lock nuts. Repeat this process for the other side of the slide. Repeat this process for each single slide.



5-foot Single Wave Slide Installation

STEP: 5

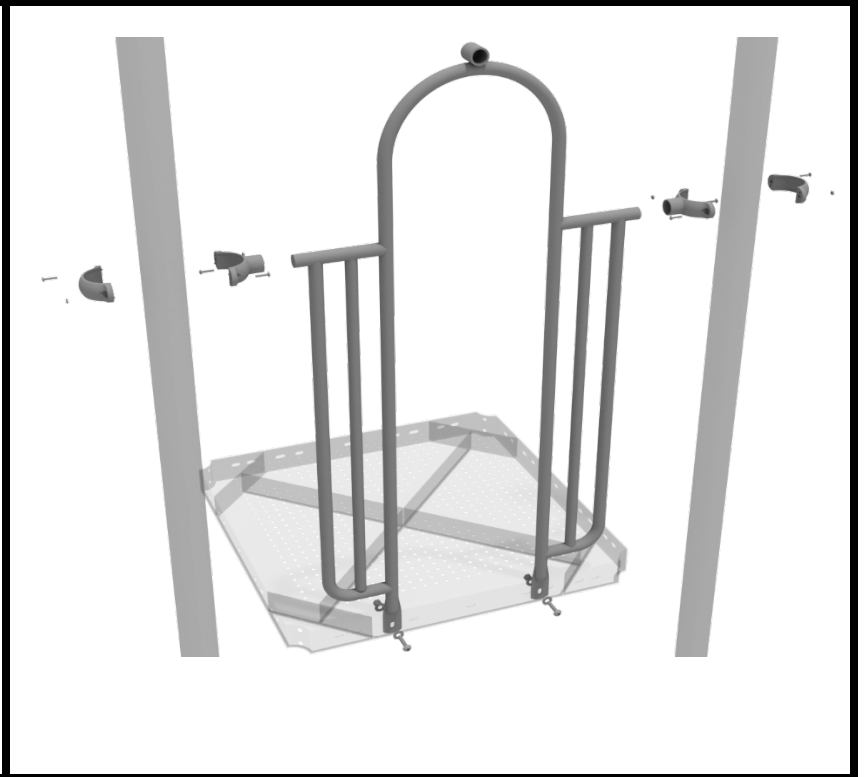
Using two (2) M8*45 bolts, two (2) M8 washer, two (2) M12 washers, and one (1) M12 inner hex spiral nut, attach the slide to the slide hood. Repeat this process for the other side of the slide.



3.5-inch 2-Clamp Arch Rail Installation

STEP: 1

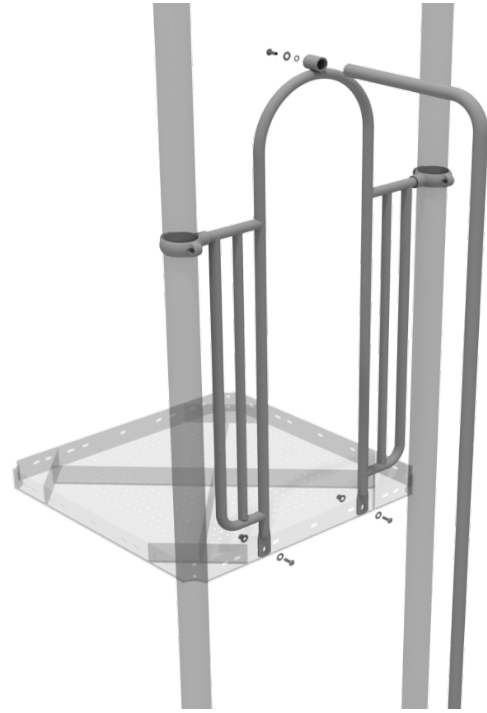
Attach the Arch Rail to the designated posts by connect half of the tube clamp to the arch rail using one (1) M8*30 bolt. Repeat this process for each post attachment point. Then, attach the rail to the deck using two (2) M10*25 bolts, four (4) M10 washers, and two (2) M10 lock nuts. Finally, attach the second half of the clamp around the post.



Fireman's Pole Installation

STEP: 1

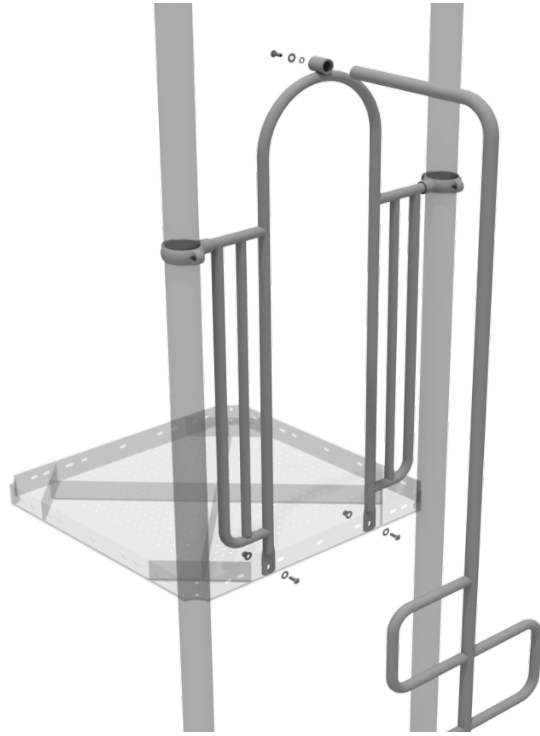
See general installation guide regarding footing information for the fireman's pole. Attach the top of the climber to the designated arch rail top bracket using one (1) M10*20 bolt, one (1) M10 spring washer, and one (1) M10 washer.



Snake Climber Installation

STEP: 1

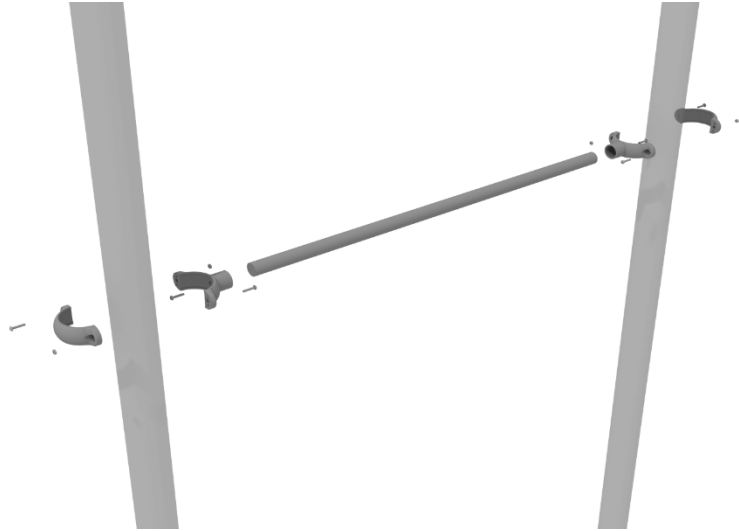
See general installation guide regarding footing information for the snake climber. Attach the top of the climber to the designated arch rail top bracket using one (1) M10*30 bolt, one (1) M10 spring washer, and one (1) M10 washer.



Chin Up Bar Install

STEP: 1

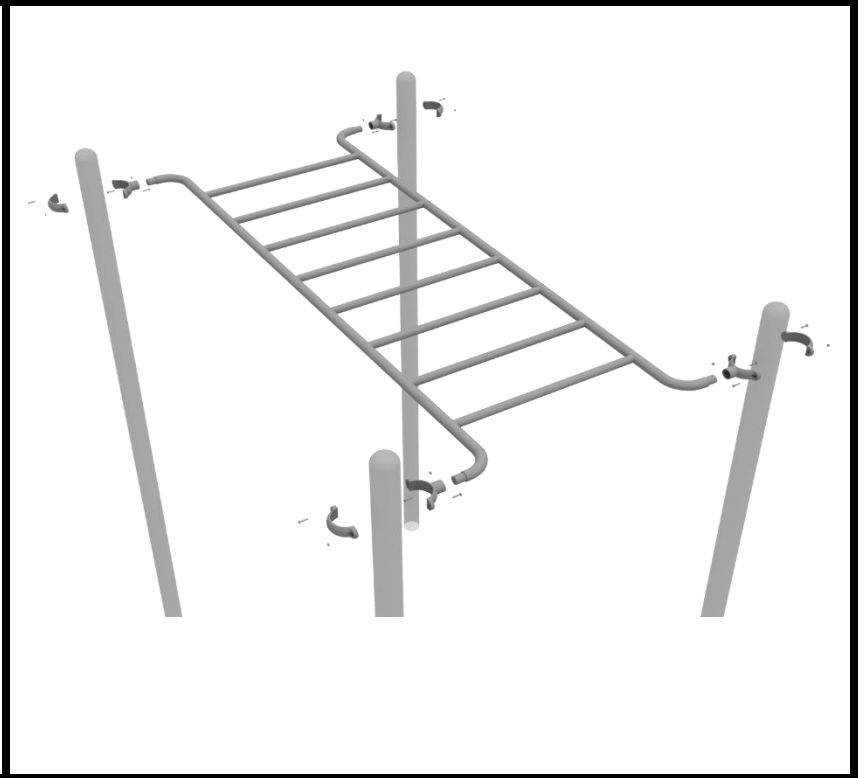
Connect the Chin up Bar to the designated post using two (2) 3.5-inch tube clamps.



Straight Rung Overhead Ladder Installation

STEP: 1

Attach the Overhead Straight Ladder to the designated posts by connect half of the tube clamp to the ladder using one (1) M8*30 bolt. Repeat this process for each attachment point. Set the ladder into place, then attach the second half of the clamp around the post.



Overhead Climber Clamp Support

Once clamps are installed on structure, secure clamp to post by using hardware provided. Use one bolt cap with cover, one washer, one screw. Drill into the backside of the clamp.

