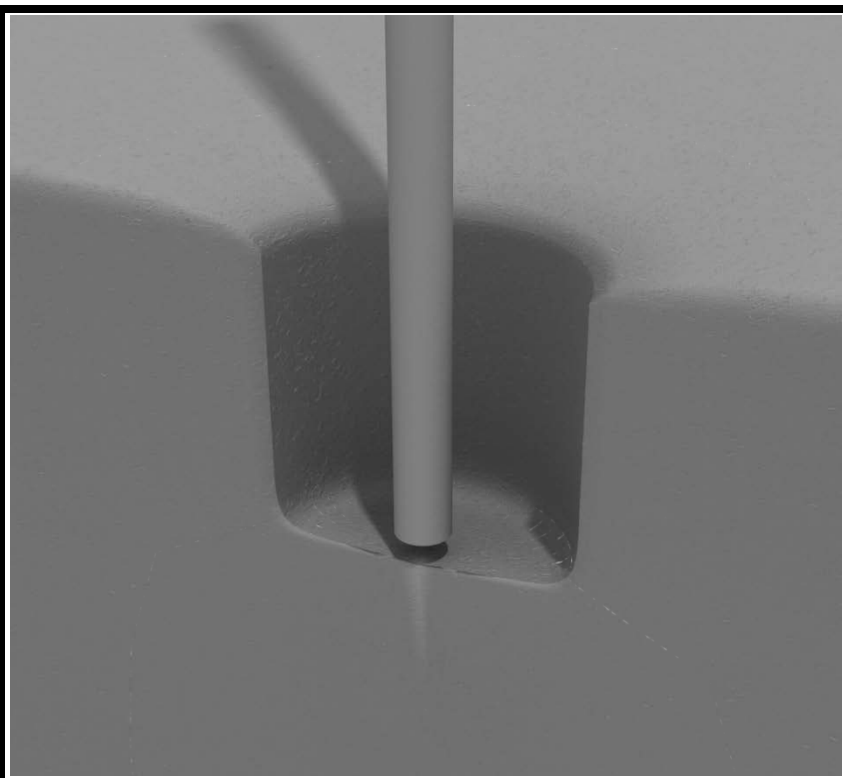


## STEP: 1

**DO NOT CEMENT POSTS INTO PLACE  
UNTIL THE ENTIRE STRUCTURE IS  
ASSEMBLED.**

Refer to the General Installation  
guide footing information and dig  
proper holes for the support posts.



# Triangle Deck Installation

## STEP: 1

After the posts are in place, using three (3) M10\*35 bolts, six (6) M10 washers, and three (3) M10 lock nuts, attach the triangle deck to each pre-attached deck clamp as shown in the image.

Deck clamps are pre-attached to the posts and should not be altered in any way.



# Square Deck Installation

## STEP: 1

After the posts are in place, using four (4) M10\*35 Bolts, eight (8) M10 Washers, and four (4) M10 Lock Nuts, attach each square deck to each pre-attached deck clamp as shown in the image.

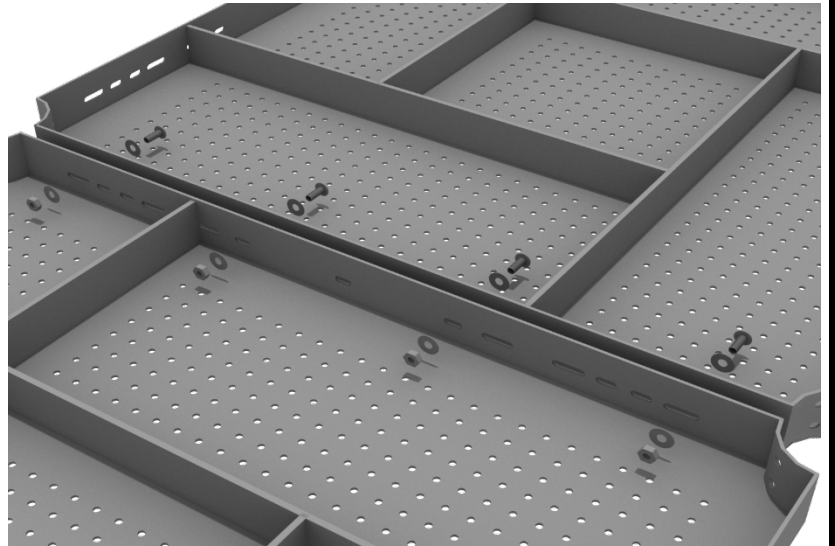
Deck clamps are pre-attached to the posts and should not be altered in any way.



# Deck Connect to Deck

## STEP: 1

When installing decks that are adjacent to one another at the same height, they should be bolted together. On the underside of the deck, install using four (4) M10\*25 Bolts, eight (8) M10 Washers, and four (4) M10 Lock Nuts. Repeat this process for every set of adjacent decks.





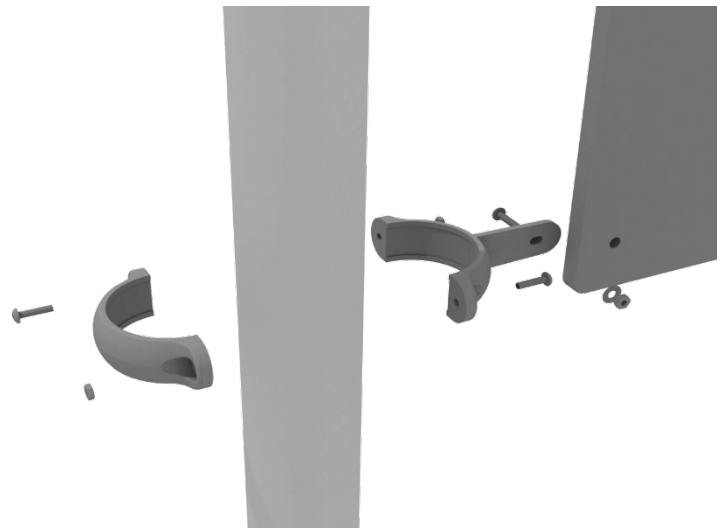
## 4.5-inch Clamp Installation Examples

The following two pages will include examples of how to install some of the most common types of Clamps that are present on our structures that use 4.5-inch outside diameter posts. The structure that you are assembling might not require all the types of clamps listed in these examples.

The Install Guides for specific components that come later in this document might call for a specific type of clamp (a tube clamp for example), those sections will not include detailed instructions for the clamps and should direct you back to this section for more detailed information.

### 4.5-inch Flat Clamp Installation Example

Connect half of the flat clamp to the component using one (1) M8\*30 bolt and Lock Nut. Then, using the other half of the flat clamp and the hardware provided in the clamp hardware bag, attach the backside of the flat clamp around the post.



## 4.5-inch Clamp Installation Examples

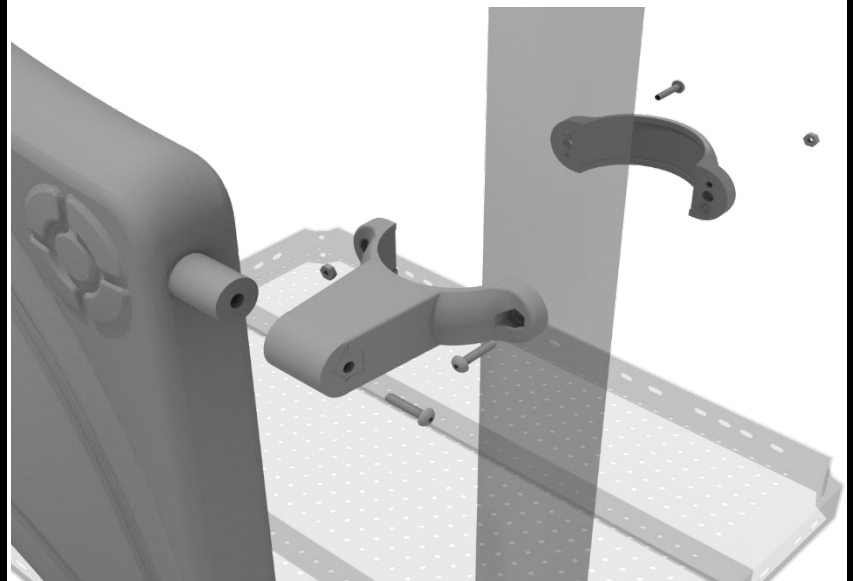
### 4.5-inch Tube Clamp Installation Example

Insert Bar on Component into one half of the Tube Clamp and attach with M4\*25 Set Screw. Then, using the other half of the tube clamp and the hardware provided in the clamp hardware bag, attach the backside of the tube clamp around the post.



### 4.5-inch Double Slide Clamp Installation Example

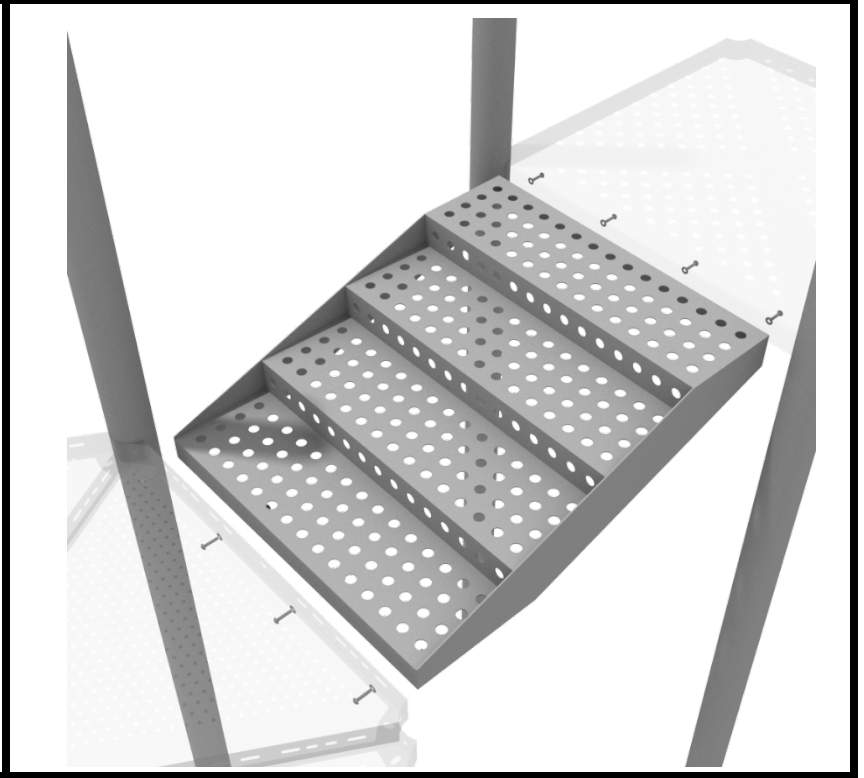
Connect half of the double slide clamp to the double slide hood using one (1) M8\*30 bolt. Then, using the other half of the clamp and the hardware provided in the clamp hardware bag, attach the backside of the double slide clamp around the post.



# 4.5-inch Middle Stair Install

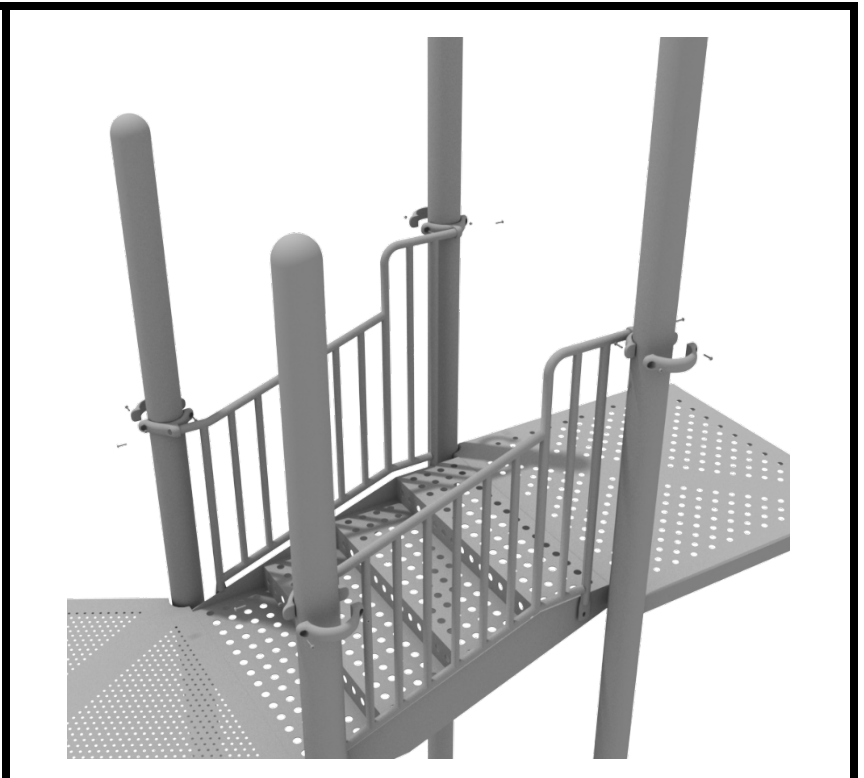
## STEP: 1

Using eight (8) M10\*25 bolts, sixteen (16) M10 washers, and eight (8) M10 lock nuts, connect the middle stair from one deck to the next.



## STEP: 2

Connect half of each 4.5-inch offset clamp to the middle handrail using one (1) M8\*37 bolt. Set the handrail into place, then attach the second half of the clamp using the hardware provided in the clamp bag. Repeat this process for the other handrail. Then, using two (2) M10\*25 bolts, four (4) M10 washers, and two (2) M10 lock nuts, attach the bottom of the handrail to the side of the stair.



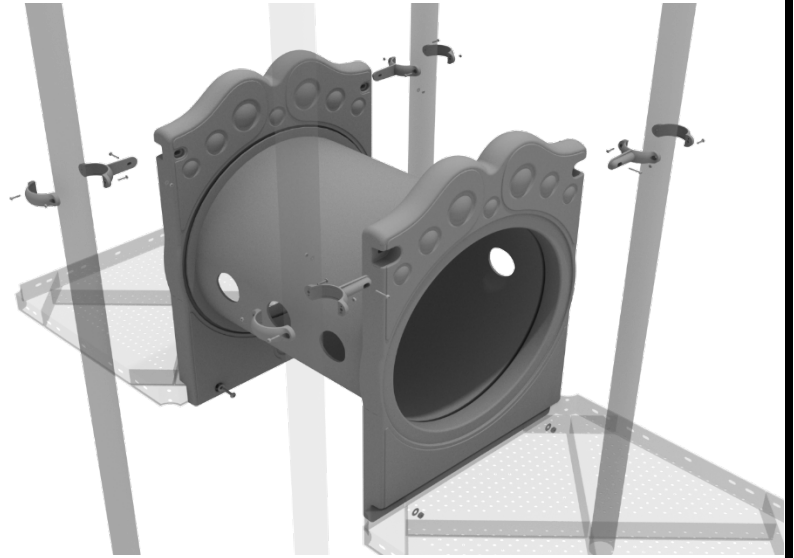
1 Playground Drive  
Greenfield, IN 46140  
1-800-667-0097

Created By: Aaron Price  
Date Modified: 05/10/18

# Tube Bridge Installation

## STEP: 1

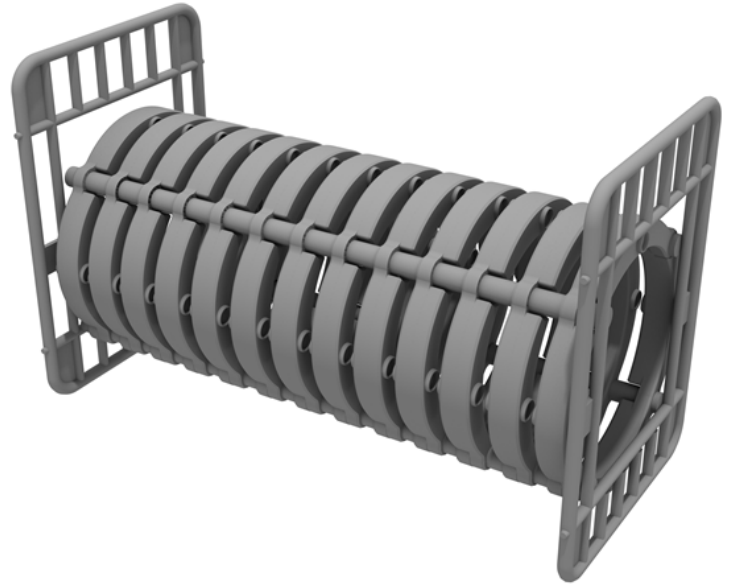
Attach each side of the tube bridge to the proper deck using two (2) M10\*50 bolts, four (4) M10 washers, and two (2) M10 lock nuts. Then, attach the top of the tube bridge to the posts using one (1) tube clamp, one (1) M4\*25 self tapping screw for each post attachment point.



# Bones Tunnel Bridge Install

**Deck:** Connect Bones Bridge Tunnel to corresponding deck using two (2) M10\*25 bolts, four (4) M10 washers and four (4) M10 Lock Nuts for each side.

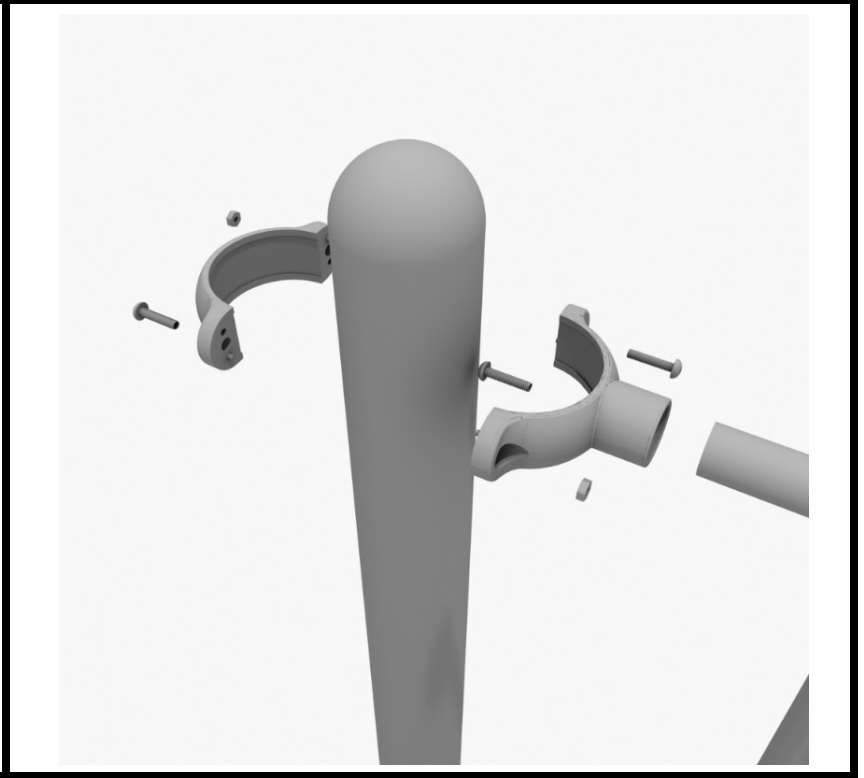
**Post:** Connect top of bridge bar with clamp using one (1) M4\*25 self tapping screw. Use remaining hardware in clamp bag to secure clamp to post.



# 4.5-inch 4-foot Transfer Station Install

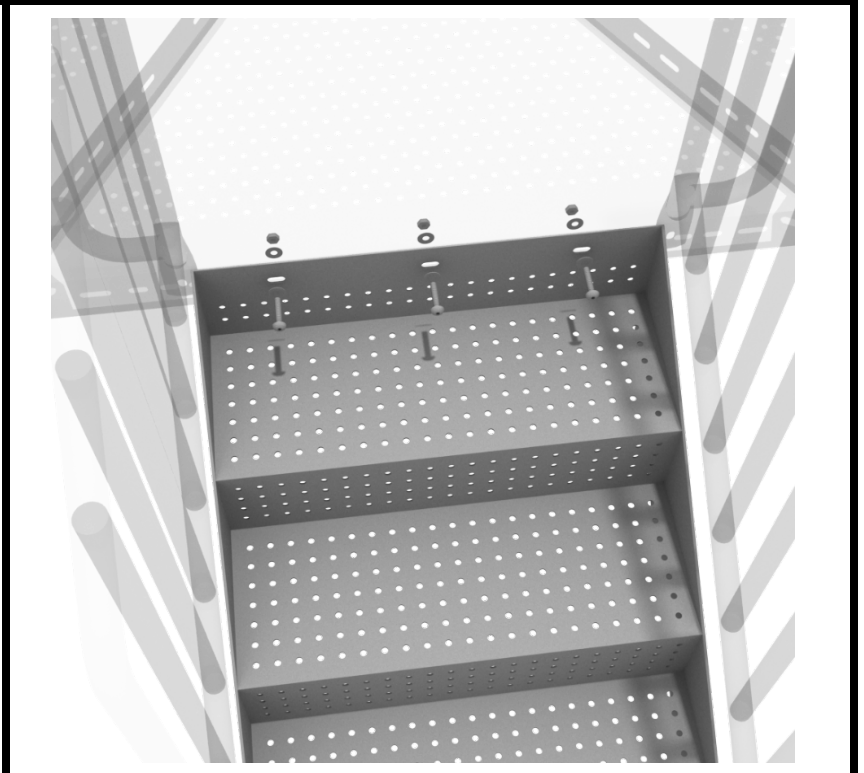
## STEP: 1

Connect half of a tube clamp to the ADA transfer handrail using one (1) M4\*25 self-tapping screw. Set the handrail into place, then attach the second half of the clamp using the hardware provided in the clamp bag. Repeat this process for the other handrail.



## STEP: 2

Using three (3) M10\*25 bolts, six (6) M10 washers, and three (3) M10 lock nuts, attach the top of the stairs to the half hex deck. Then using four (4) M10\*30 bolts, eight (8) M10 washers, and four (4) M10 lock nuts, attach the handrail to the bottom of the stairs. Then, using two (2) M10\*25 bolts, four (4) M10 washers, and two (2) M10 lock nuts, attach the handrails to the deck.



1 Playground Drive  
Greenfield, IN 46140  
1-800-667-0097

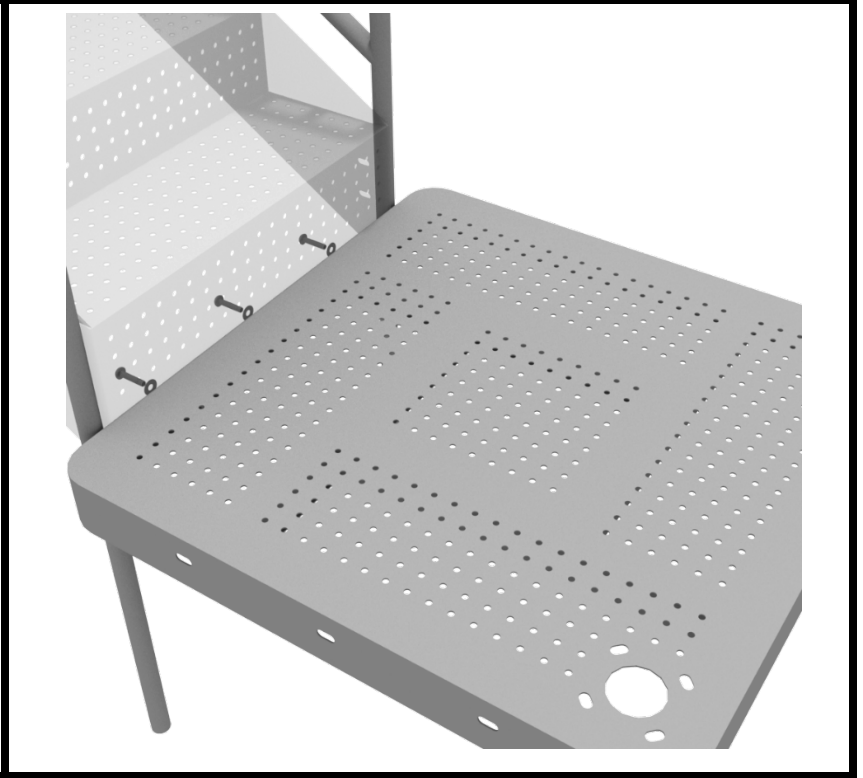
Created By: Derick H  
Date Modified: 07/27/18



# 4.5-inch 4-foot Transfer Station Install

## STEP: 3

Using three (3) M10\*25 bolts, six (6) M10 washers, and three (3) M10 lock nuts, attach the ADA transfer deck to the base of the 4-foot ADA transfer stair.



## STEP: 4

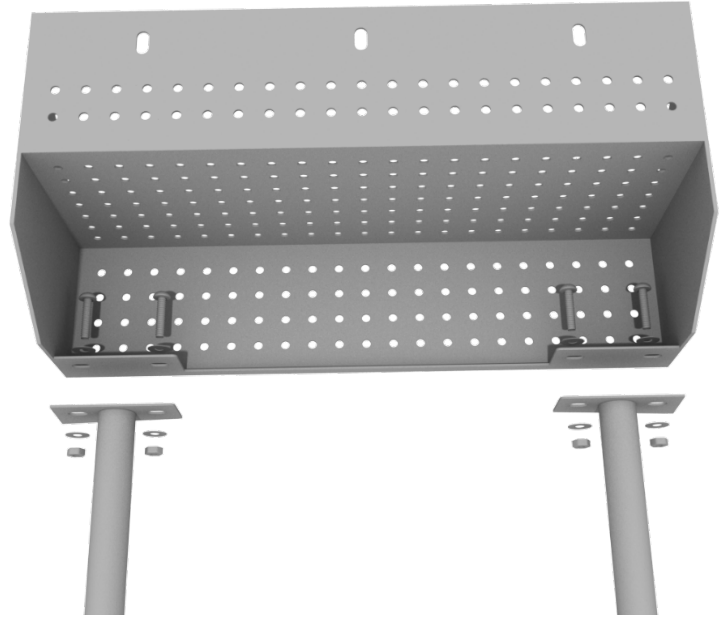
See general installation guide regarding footing information for the transfer deck handrail. Using four (4) M10\*25 bolts, eight (8) M10 washers, and four (4) M10 lock nuts, attach each transfer deck handrail to the ADA transfer deck.



# 4.5-inch 4-foot Transfer Station Install

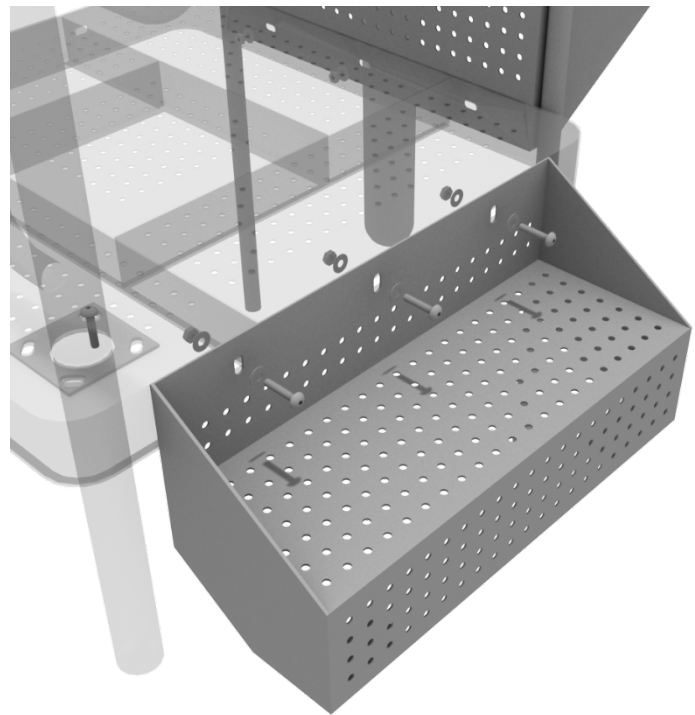
## STEP: 5

See general installation guide regarding footing information for the ADA transfer step mount. Using two (2) M10\*25 bolts, four (4) M10 washers, and two (2) M10 lock nuts, attach the transfer step to each ADA transfer step mounts.



## STEP: 6

Using three (3) M10\*25 bolts, six (6) M10 washers, and three (3) M10 washers, attach the top of the ADA transfer step to the ADA transfer deck.

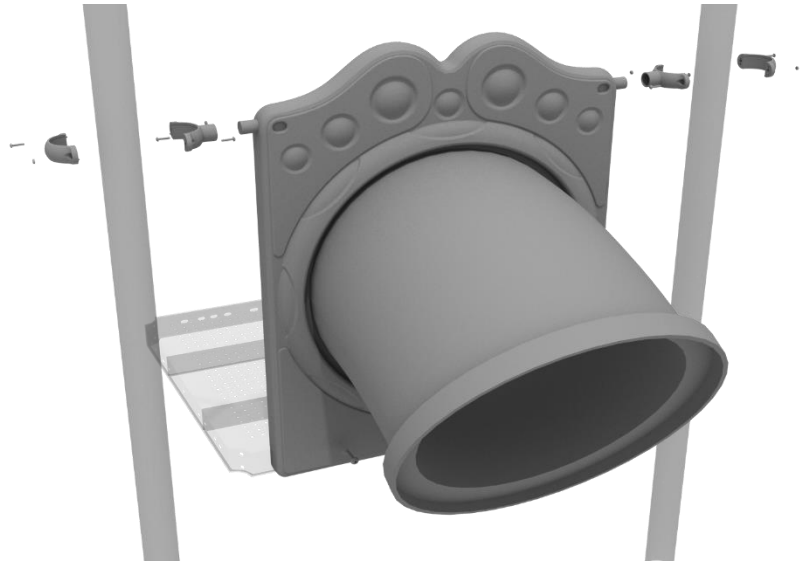




# Tube Slide Installation

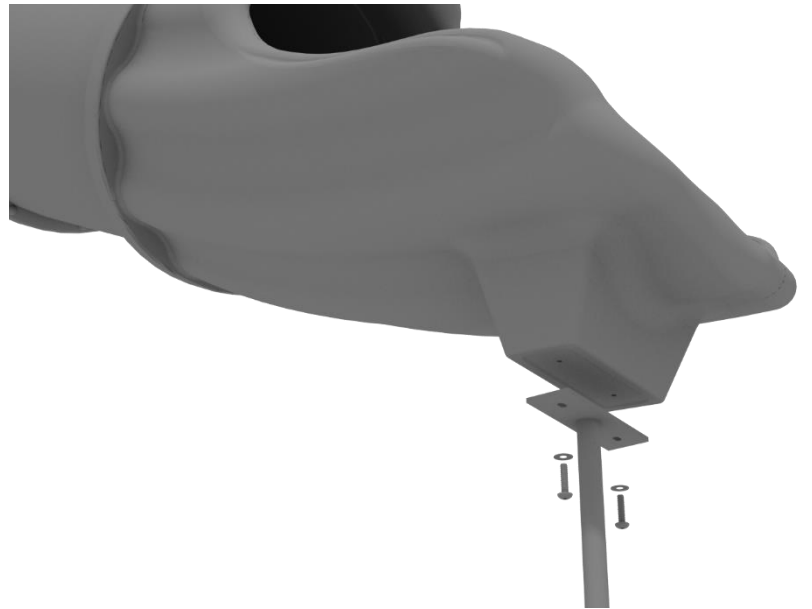
## STEP: 1

Attach the slide entry hole panel to the deck using two (2) M10\*50 bolts, four (4) M10 washers, and two (2) M10 lock nuts. Then attach the top of the panel to the posts using two (2) tube clamps .



## STEP: 2

See general installation guide regarding footing information for the tube slide mount. Attach the slide end mount to the bottom of the slide using four (4) M10\*20 bolts, four (4) M10 spring washers, and four (4) M10 washers.



1 Playground Drive  
Greenfield, IN 46140  
1-800-667-0097

Created By: Aaron Price  
Date: 04/18/2018

# Tube Slide/Bridge

**Attention: Any hardware on pre-attached tube slide or tube bridge supports (not including set screws) are to be disposed. Use supplied bolts and appropriate lock nuts in hardware box to avoid any safety hazards or safety violations.**



# Tube Slide Installation

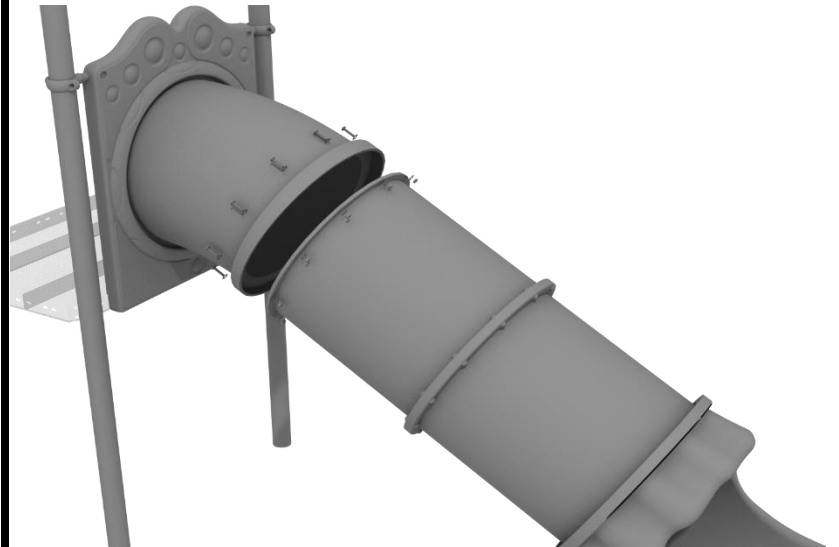
## STEP: 3

Then, attach the tube slide support to the slide support brackets by inserting the support into the designated slot under the slide, and tighten the set screws using the provided Allen wrench. Repeat this process for the other slide support post.



## STEP: 4

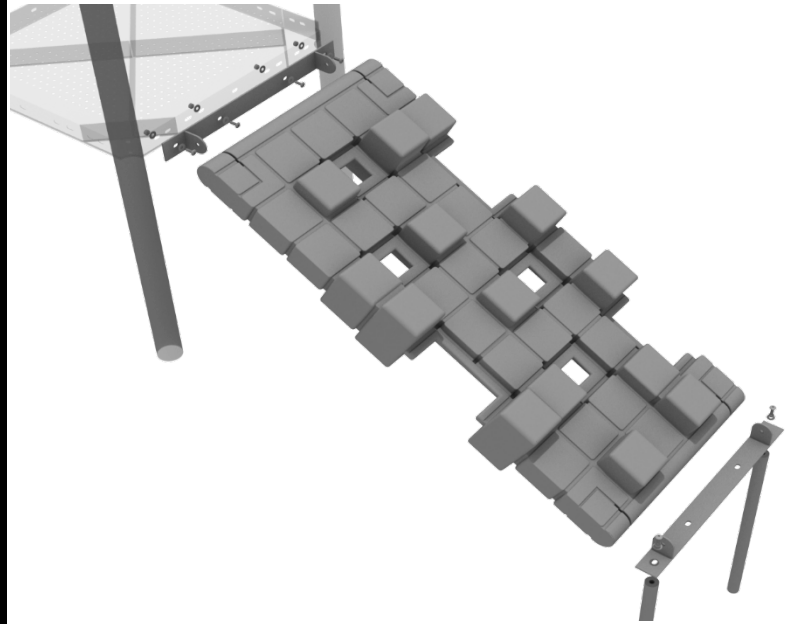
Finally, connect the tube slide together using ten (10) M8\*30 bolts, ten (10) M8 washers, and ten (10) M8 lock nuts.



# Pixel Climber Installation

## STEP: 1

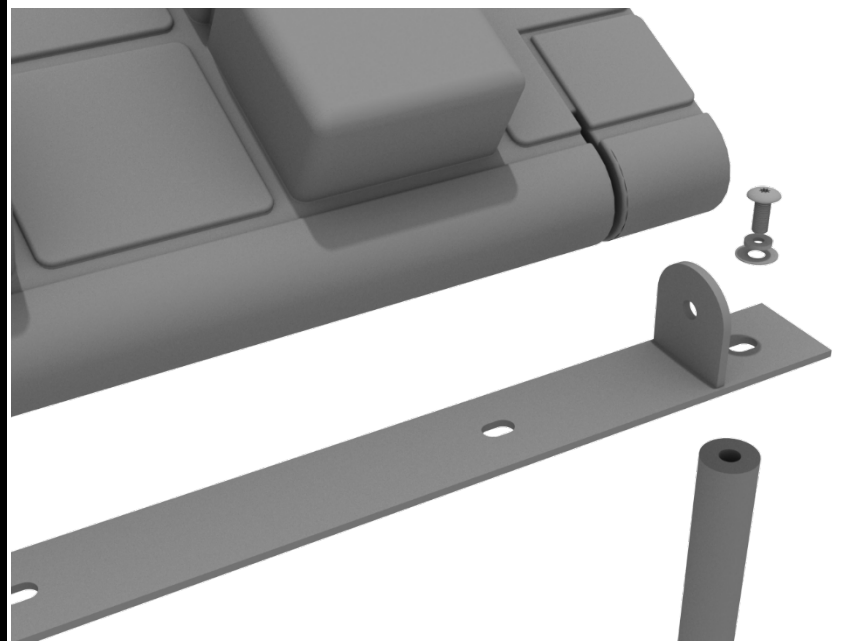
First, detach the pre-attached bracket on the end of the climber that has four (4) Bolts attached, and attach it to the designated deck.



## STEP: 2

Then, attach the provided support mounts to the other side of the Pixel Climber using the pre-attached bolt.

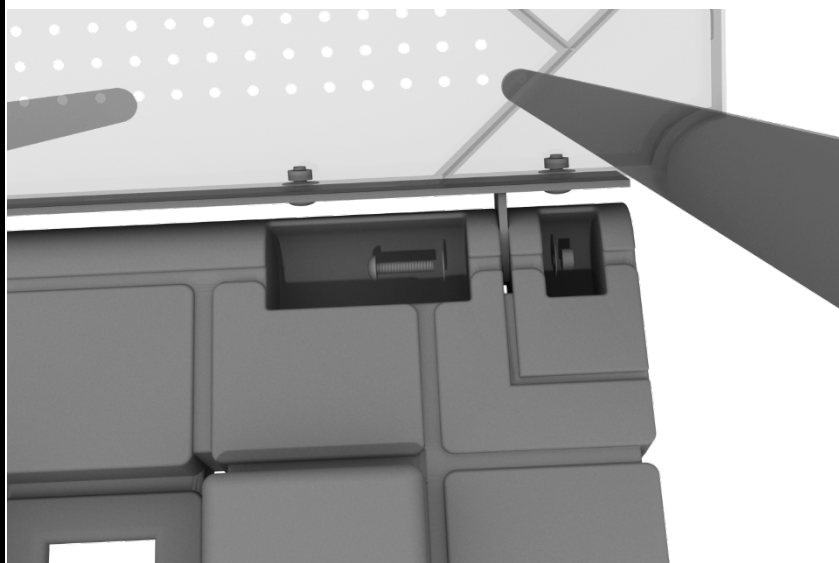
See general installation guide regarding footing information for the figure climber.



# Pixel Climber Installation

## STEP: 3

Finally, attach the climber to the mount that you attached to the deck with the pre-attached hardware.

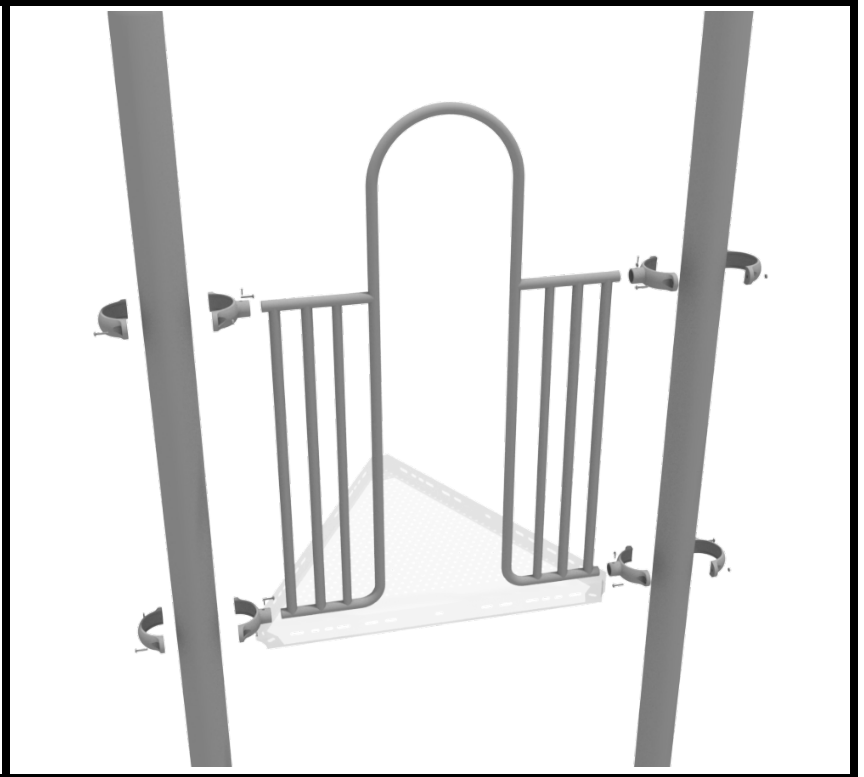


# 4.5-inch 4-Clamp Arch Rail Installation

## STEP: 1

Attach the Arch Rail to the designated posts by connect half of the tube clamp to the arch rail using one (1) M4\*25 self tapping screw.

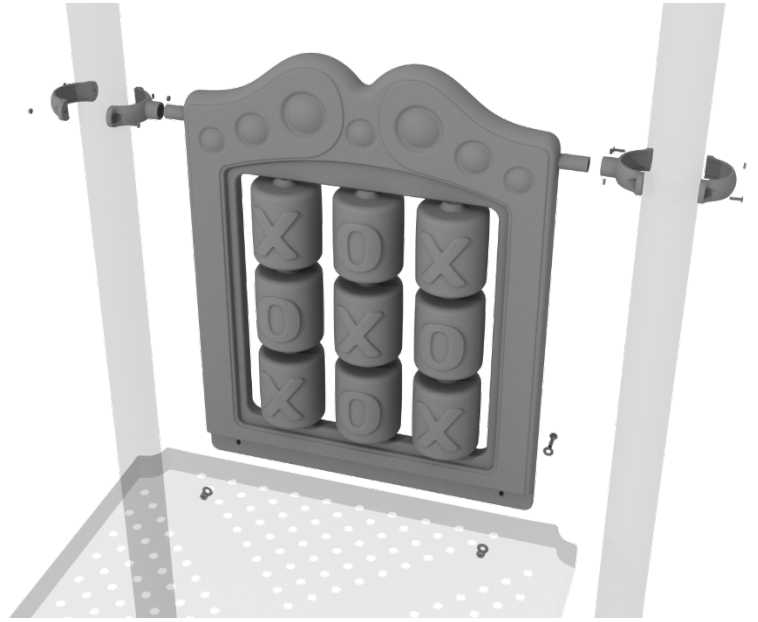
Repeat this process for each attachment point. Set the arch rail into place, then attach the second half of the clamp around the post. The gap between the deck and the bottom of the rail should be no more than 3 inches.



# 4.5-inch Tic Tac Toe Panel Installation

## STEP: 1

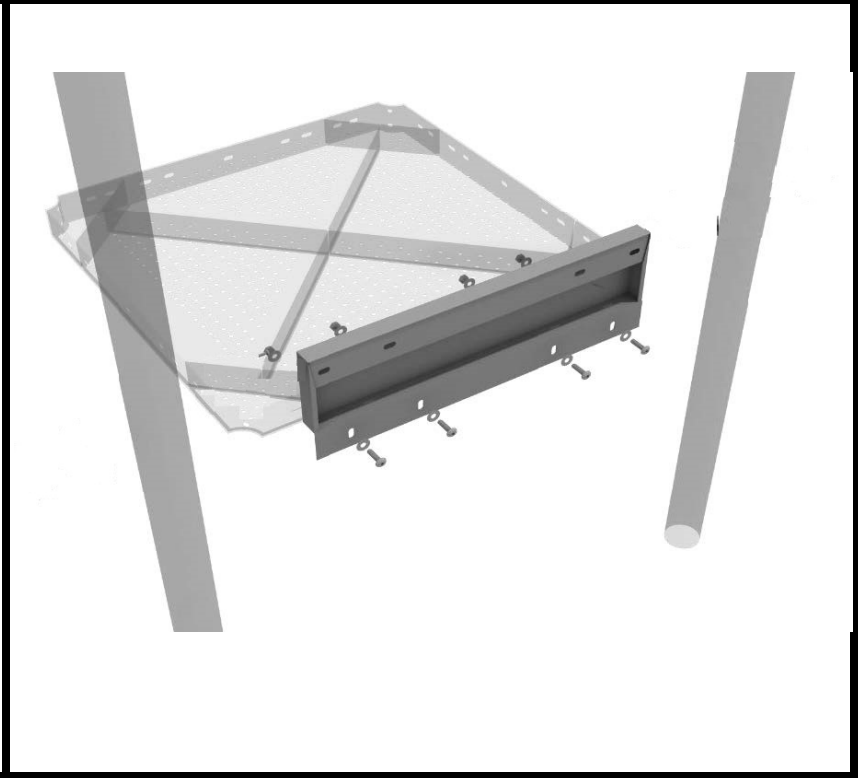
Attach two tube clamps to the Tic Tac Toe Panel using two (2) M4\*25 self-tapping screws and attach those clamps to the proper support posts. Then, attach the bottom of the metal barrier to the deck using two (2) M10\*50 bolts, four (4) M10 washers, and two (2) M10 lock nuts.



# Spiral Slide Kickplate Installation

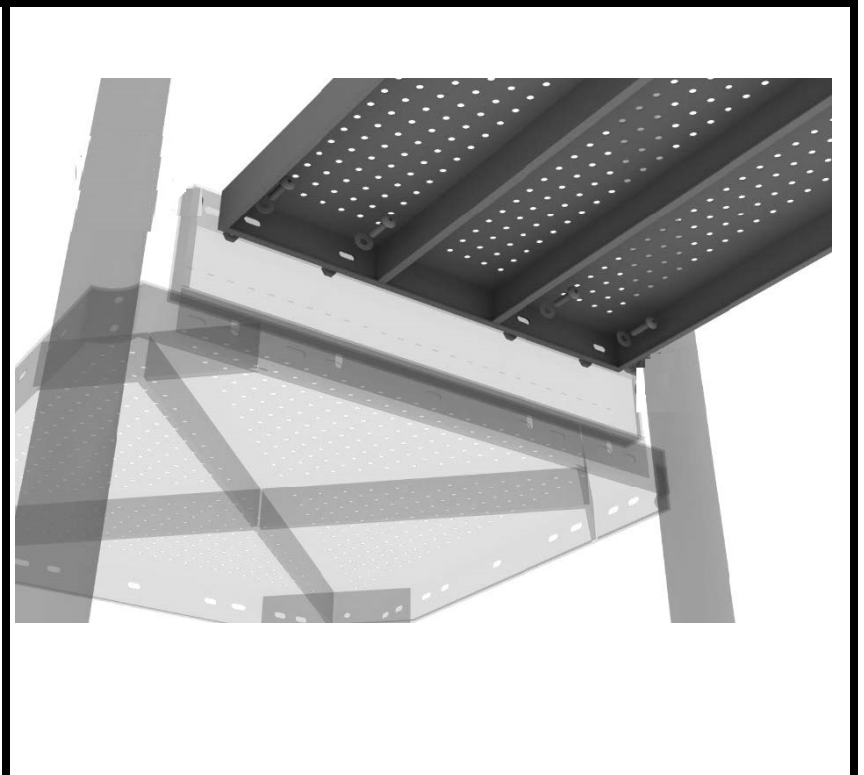
## STEP: 1

Attach the spiral slide kick plate to the proper square deck using four (4) M10\*25 bolts, eight (8) M10 washers, four (4) M10 lock nuts.



## STEP: 2

Attach the spiral slide deck to the top of the spiral slide kick plate using four (4) M10\*25 bolts, eight (8) M10 washers, and four (4) M10 lock nuts.





# Spiral Slide Installation

## STEP: 1

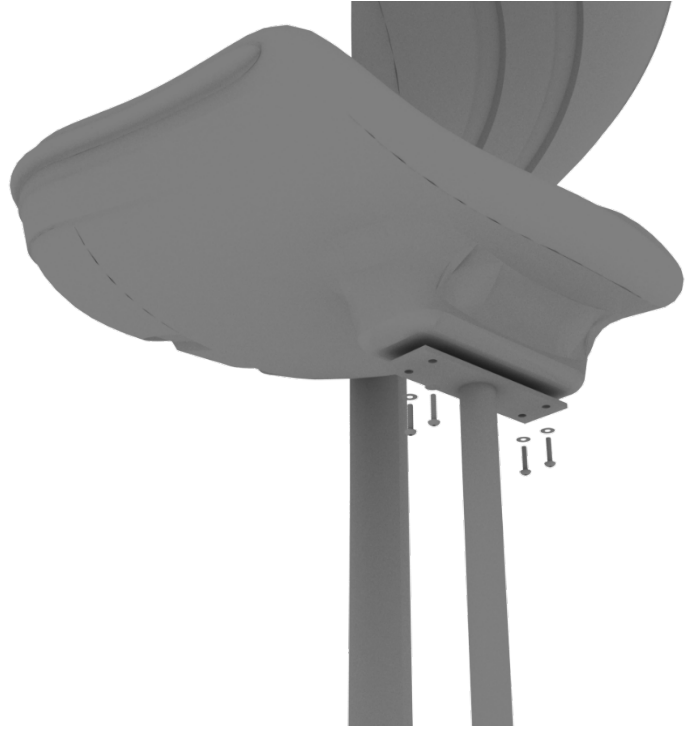
Attach the Spiral Slide Deck Support Post to the Spiral Slide Deck using two (2) M10\*25 Bolts, four (4) M10 Washers, and two (2) M10 Lock Nuts.



# Spiral Slide Installation

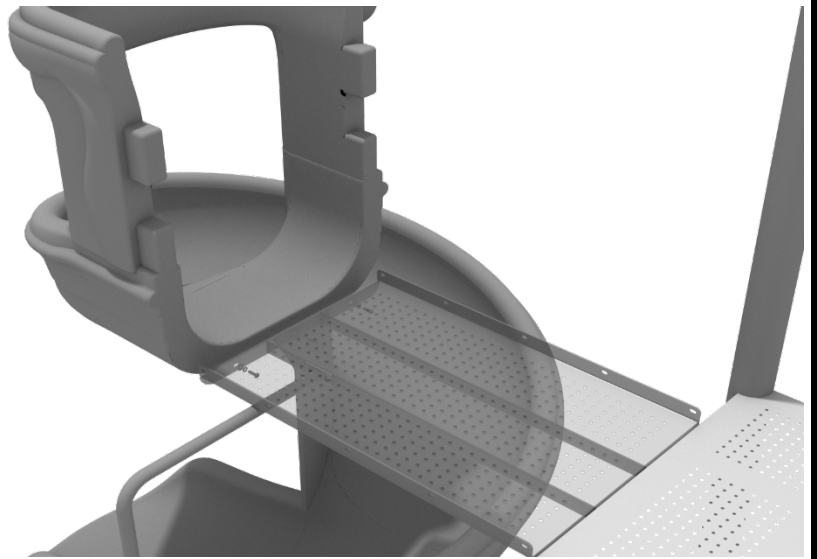
## STEP: 2

Connect the Spiral Slide Mount to the bottom of the Spiral Slide using four (4) M10\*20 Bolts, four (4) M10 Spring Gaskets, and four (4) M10 Washers. Refer to the General Installation Guide for information on slide footings.



## STEP: 3

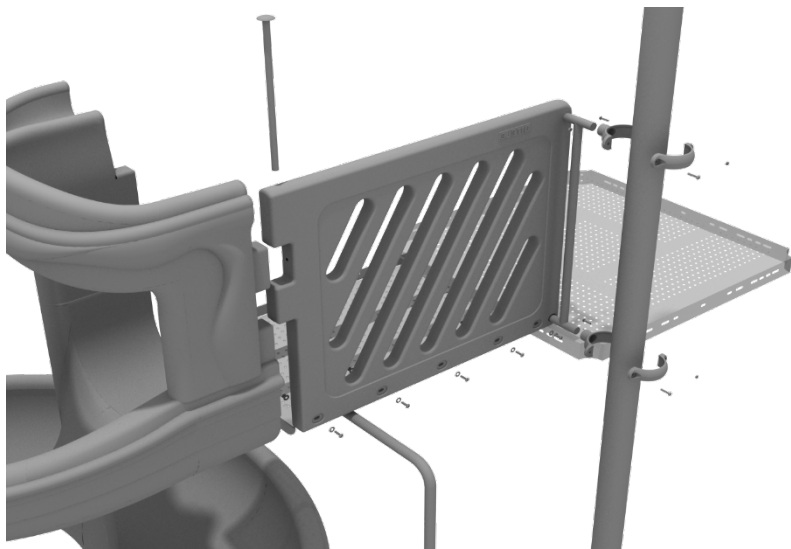
See general installation guide regarding footing information for slides and support posts. Connect the Spiral Slide to the Spiral Slide Deck using three (3) M10\*20 Bolts, three (3) M10 Spring Gaskets, and three (3) M10 Washers.



# 6-foot Single Wave Slide Installation

## STEP: 4

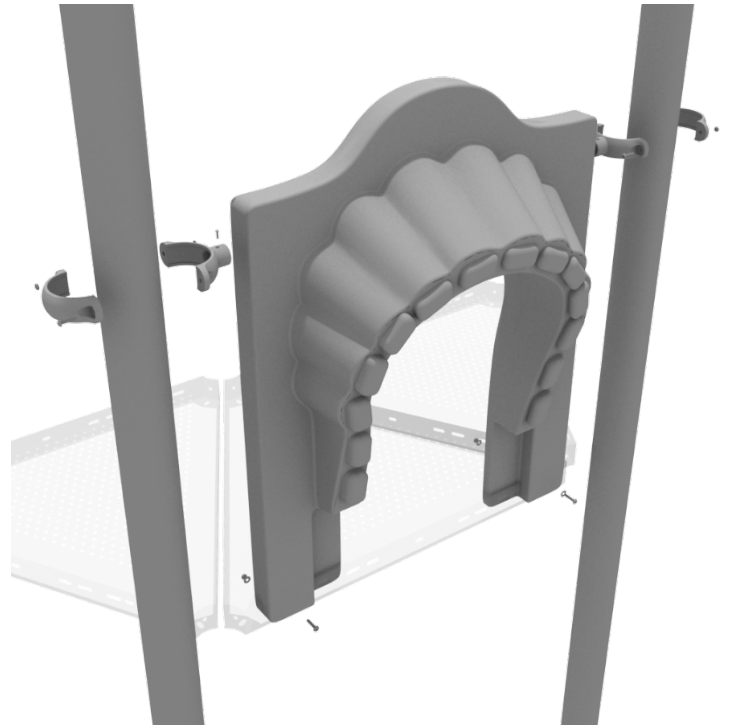
Attach the Spiral Slide Handrail to the Spiral Slide Deck using five (5) M8\*60 Bolts, five (5) M8 Washers, five (5) M12 Washers, and five (5) M12 Inner Hex Nuts. Insert the Metal Pole to stabilize the connection of the handrail to the slide, then connect the handrails to the posts using two (2) tube clamps. Repeat this process for the other handrail.



# 5-foot Single Straight Slide Installation

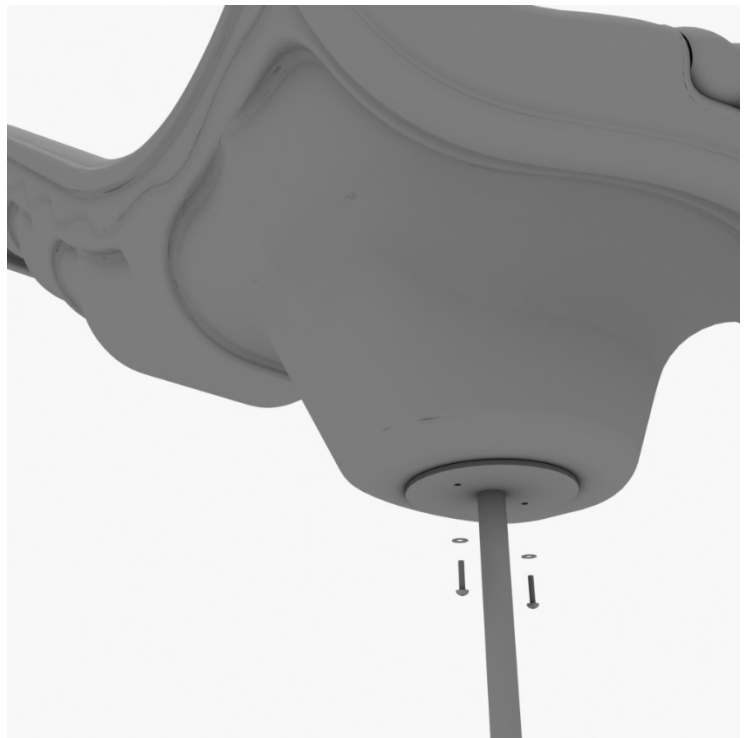
## STEP: 1

To attach the single slide hood to a deck, take two clamps and attach them to the posts using two (2) M4\*25 self-tapping screws. Then, attach the hood to the deck using two (2) M10\*50 bolts, four (4) M10 washers, and two (2) M10 lock nuts. Repeat this process for every single slide hood.



## STEP: 2

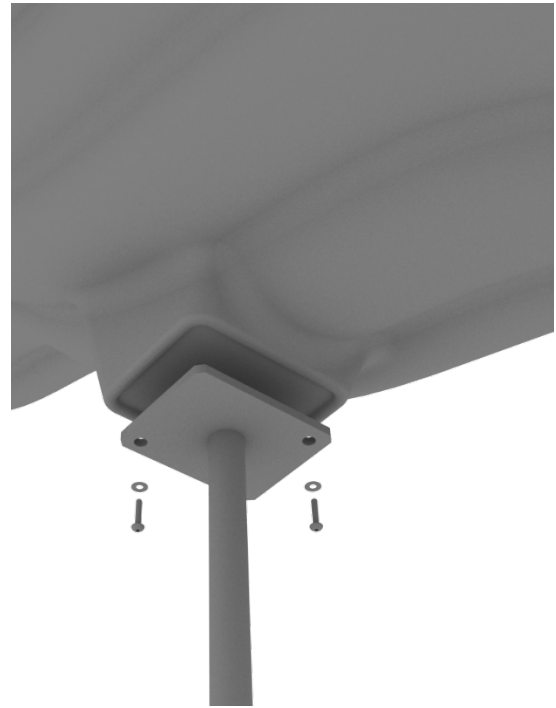
See general installation guide regarding footing information for the slide end mount. Using two (2) M8\*20, two (M8) spring washers. And two (2) M8 washers, attach the slide to the slide support post.



# 5-foot Single Straight Slide Installation

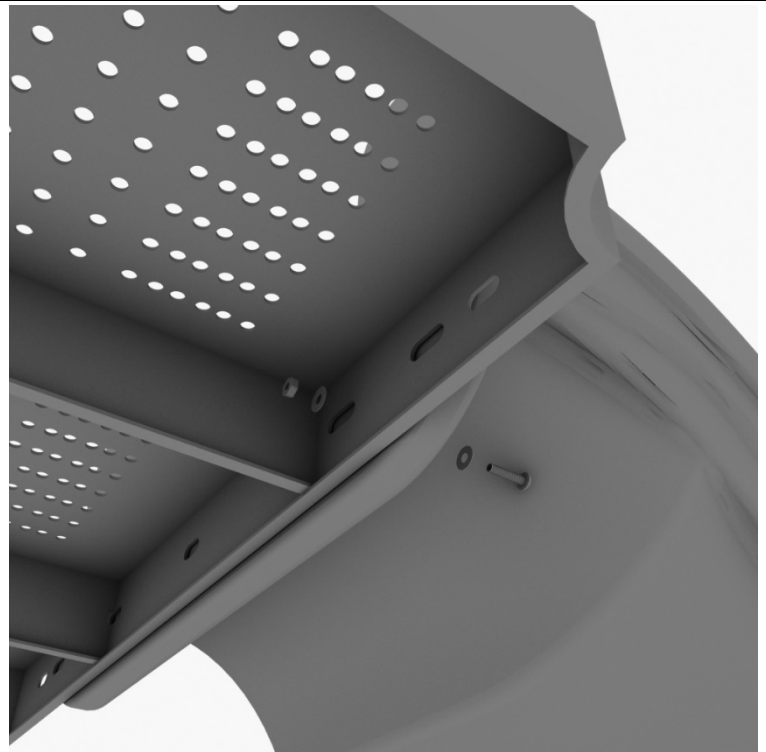
## STEP: 3

See general installation guide regarding footing information for the middle slide support. Using two (2) M8\*20 bolts, two (2) M8 spring washers, and two (2) M8 washers, attach the middle slide support post. Repeat the process for each middle slide mount.



## STEP: 4

To attach a single slide to a deck, use two (2) M10\*45 bolts, four (4) M10 washers, and two (2) M10 lock nuts. Repeat this process for the other side of the slide. Repeat this process for each single slide.



# 5-foot Single Straight Slide Installation

## STEP: 5

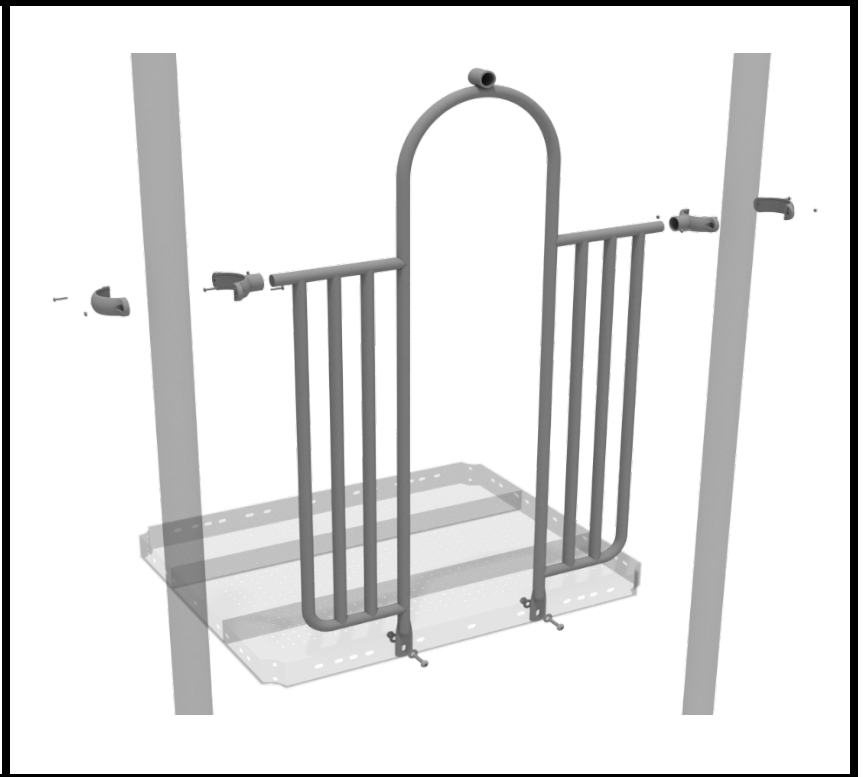
Using two (2) M8\*45 bolts, two (2) M8 washer, two (2) M12 washers, and one (1) M12 inner hex spiral nut, attach the slide to the slide hood. Repeat this process for the other side of the slide.



## 4.5-inch 2-Clamp Arch Rail Installation

### STEP: 1

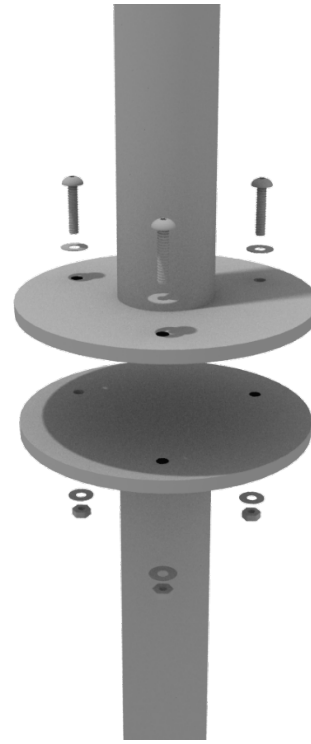
Attach the Arch Rail to the designated posts by connect half of the tube clamp to the arch rail using one (1) M4\*25 self tapping screw. Repeat this process for each post attachment point. Then, attach the rail to the deck using two (2) M10\*25 bolts, four (4) M10 washers, and two (2) M10 lock nuts. Finally, attach the second half of the clamp around the post.



# Pod Climber Installation

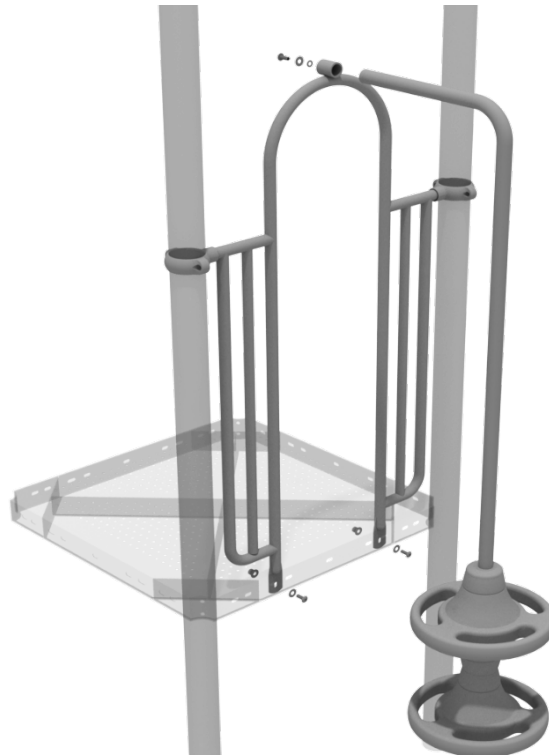
## STEP: 1

See general installation guide regarding footing information for the pod climber. Attach the circle end mount to the bottom of the climber using the pre-attached hardware. Each attachment uses three (3) M10\*20 bolts, three (3) M10 spring gaskets, and one (3) M10 large gaskets.



## STEP: 2

Attach the top of the climber to the designated arch rail top bracket using one (1) M10\*30 bolt, one (1) M10 spring washer, and one (1) M10 washer.



1 Playground Drive  
Greenfield, IN 46140  
1-800-667-0097

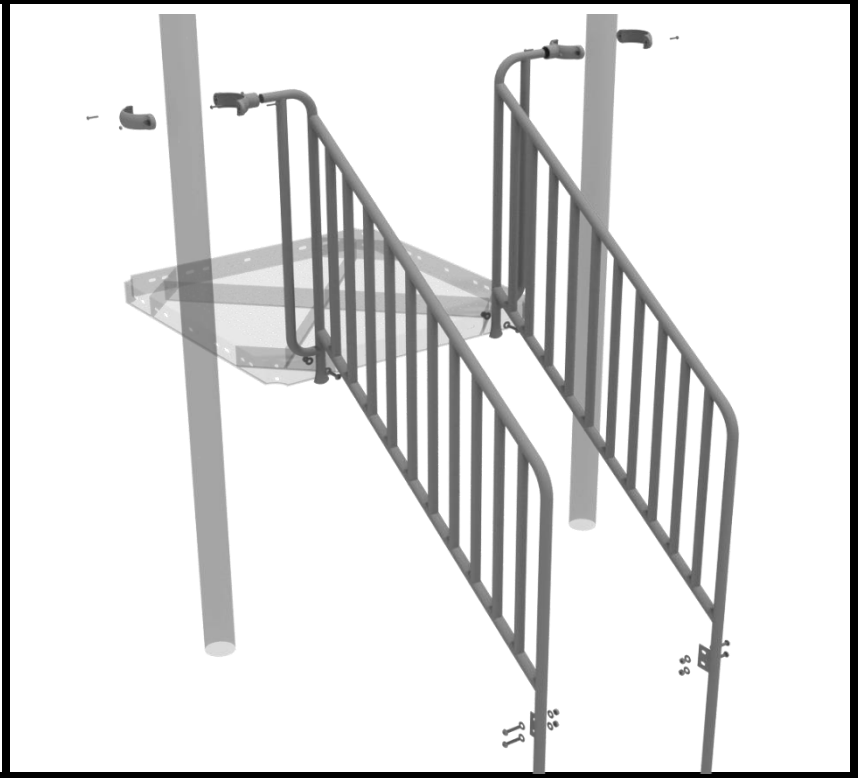
Created By: Aaron Price  
Date: 03/21/2018



# 5-foot Stair Install

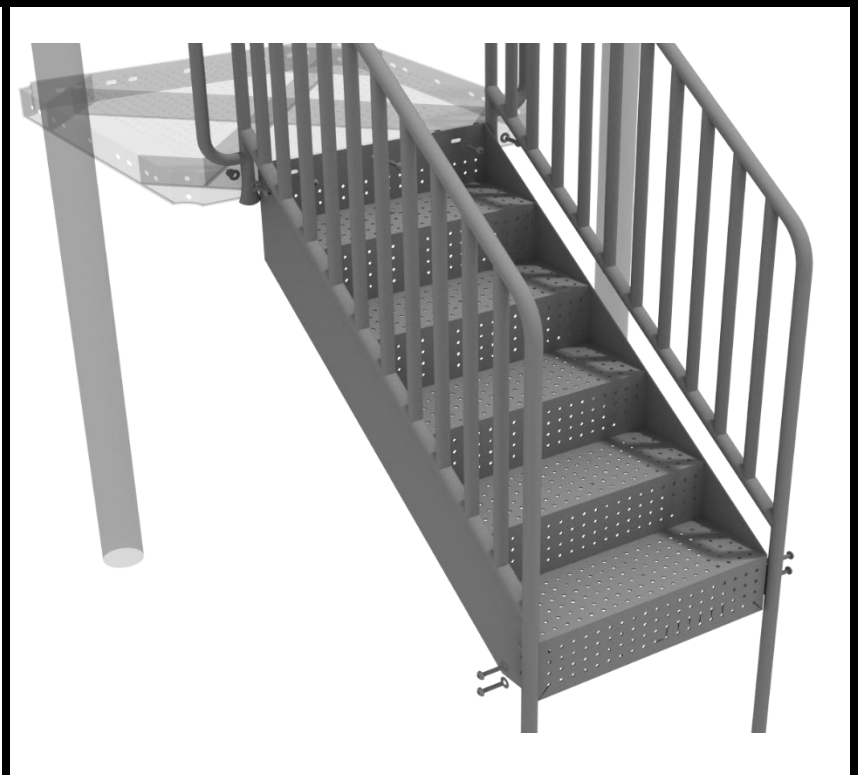
## STEP: 1

Connect the 5-foot Handrails to the designated posts using two (2) tube clamps, and two (2) M4\*25 self tapping screw. Attach the handrails to the deck using two (2) M10\*25 bolts, four (4) M10 washers, and two (2) M10 lock nuts. See the general installation guide regarding footing information for the handrails and set them into the ground.



## STEP: 2

Using three (3) M10\*25 bolts, six (6) M10 washers, and three (3) M10 lock nuts, attach the top of the stairs to the deck. Attach the bottom of the handrails to the bottom of the stairs using four (4) M10\*25 bolts, eight (8) M10 washers, M10 lock nuts.



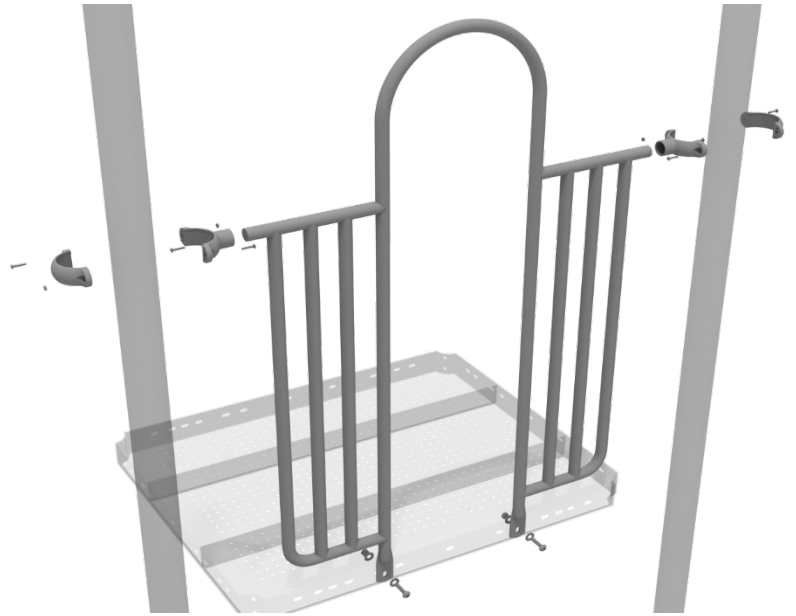
1 Playground Drive  
Greenfield, IN 46140  
1-800-667-0097

Created By: Aaron Price  
Date Modified: 05/23/18

# 4.5-inch 2-Clamp Arch Rail Installation

## STEP: 1

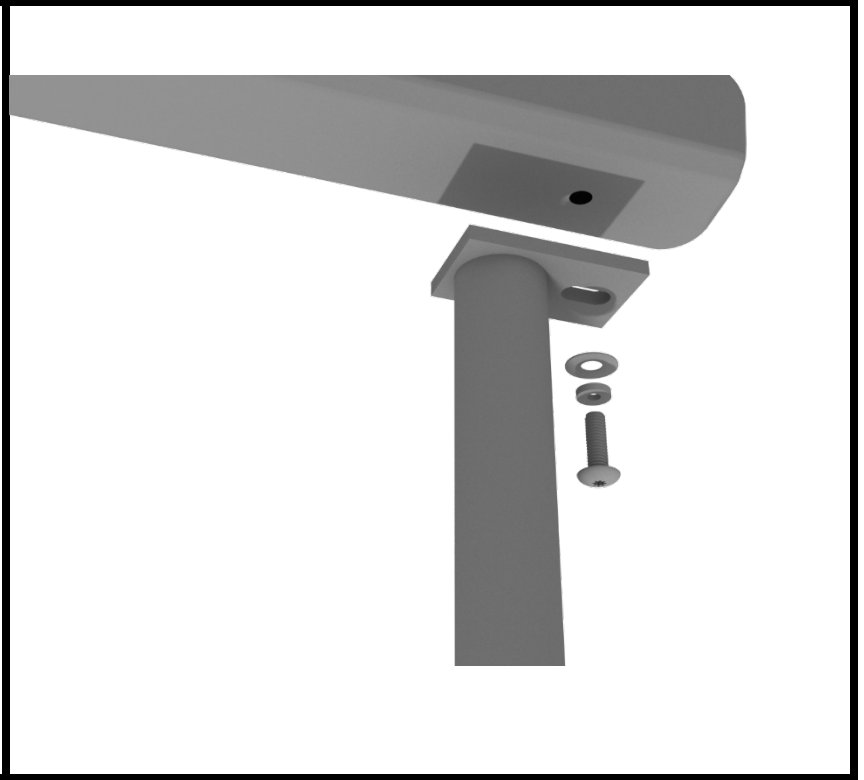
Attach each two-clamp arch rail to the designated deck by using two (2) tube clamps, and two (2) M4\*25 self-tapping screws to attach the top of the panel to the posts. Then use two (2) M10\*25 bolts, four (4) M10 washers, and two (2) M10 lock nuts to attach the panel to the deck.



# Arch Climber Installation

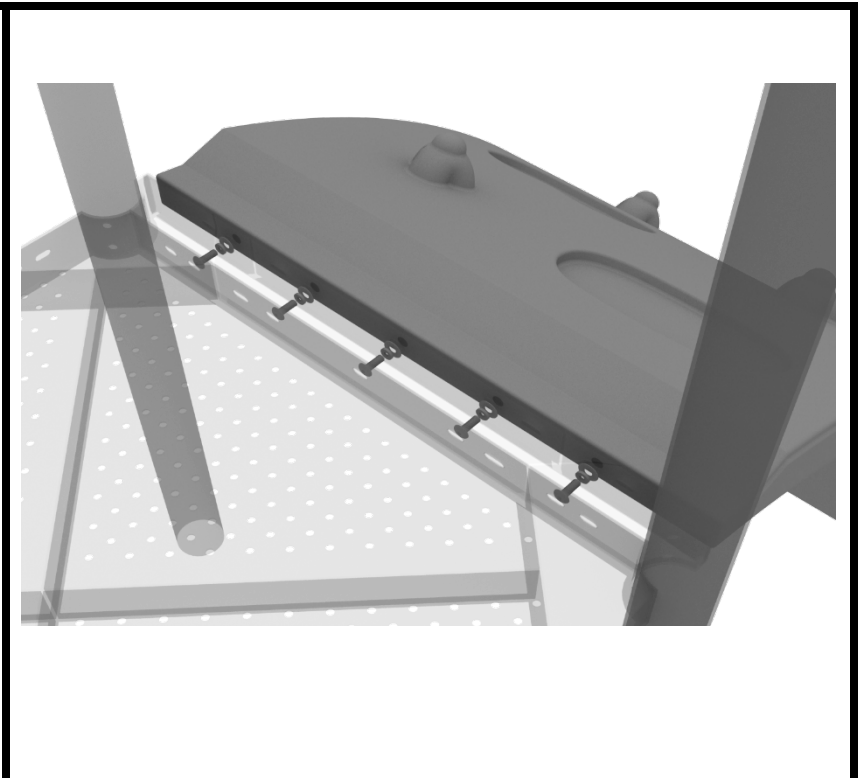
## STEP: 1

See general installation guide regarding footing information for the arch climber. Using two (2) M10\*20 bolts, two (2) M10 spring gaskets, and two (2) M10 washers, attach the bottom of the arch climber to the climber support posts.



## STEP: 2

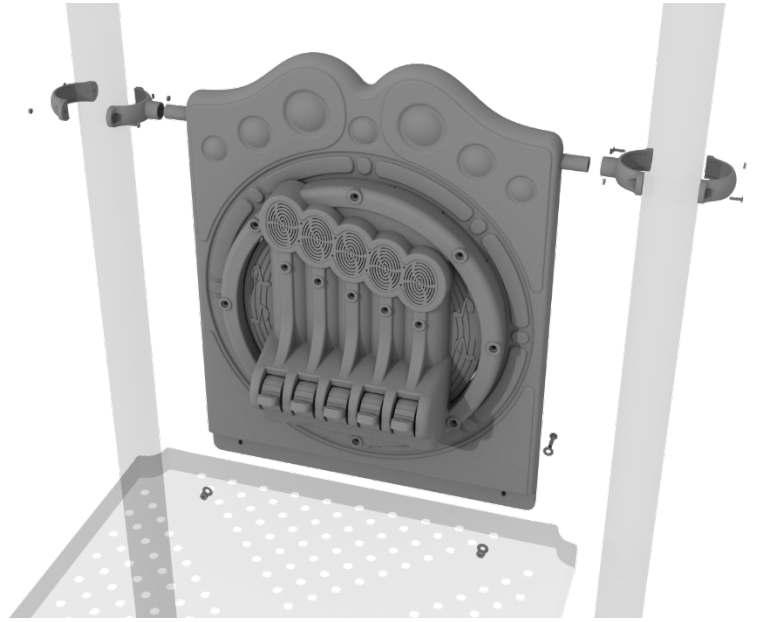
Then using five (5) M10\*20 bolts, five (5) M10 spring gaskets, and five (5) M10 washers, attach the top of the arch climber to the deck extension.



# 4.5-inch Chime Panel Installation

## STEP: 1

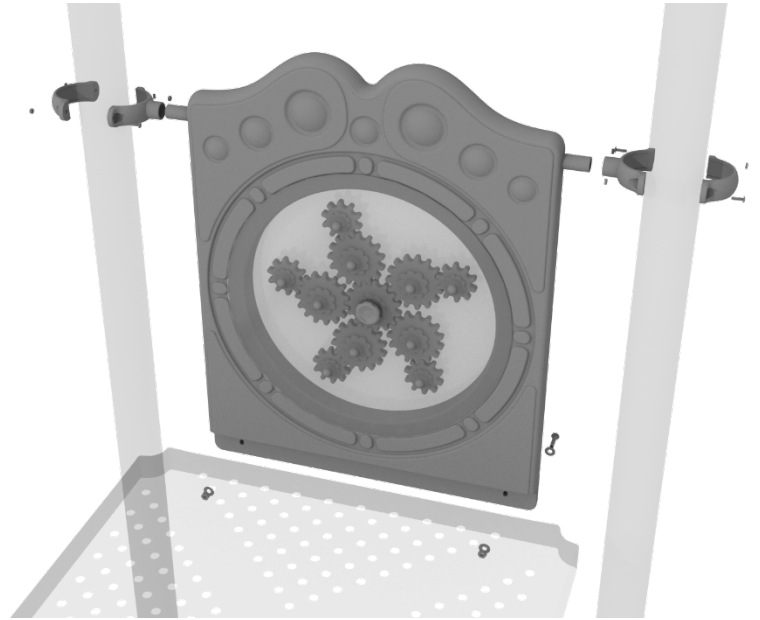
Attach two tube clamps to the Chime Panel using two (2) M4\*25 self-tapping screws and attach those clamps to the proper support posts. Then, attach the bottom of the metal barrier to the deck using two (2) M10\*50 bolts, four (4) M10 washers, and two (2) M10 lock nuts.



# 4.5-inch Gear Panel Installation

## STEP: 1

Attach two tube clamps to the Gear Panel using two (2) M4\*25 self-tapping screws and attach those clamps to the proper support posts. Then, attach the bottom of the metal barrier to the deck using two (2) M10\*50 bolts, four (4) M10 washers, and two (2) M10 lock nuts.



# Square Roof Install

## STEP: 1

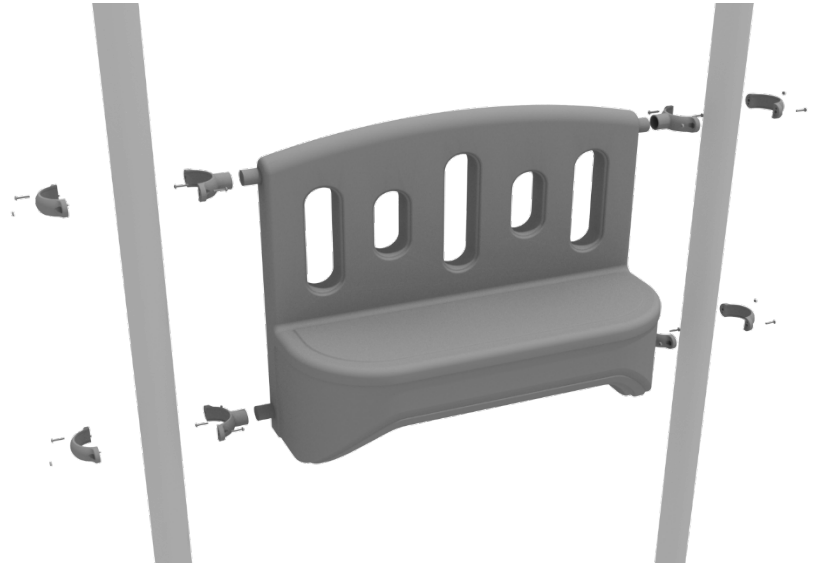
To attach a square roof, bolt the plastic post caps to the bottom of the roof using four (4) M8\*20 bolts, and eight (8) M8 washers. Then place the roof on top of the posts and screw the caps onto the post using twelve (12) M3\*16 self-tapping screws.



# 4.5-inch Bench Installation

## STEP: 1

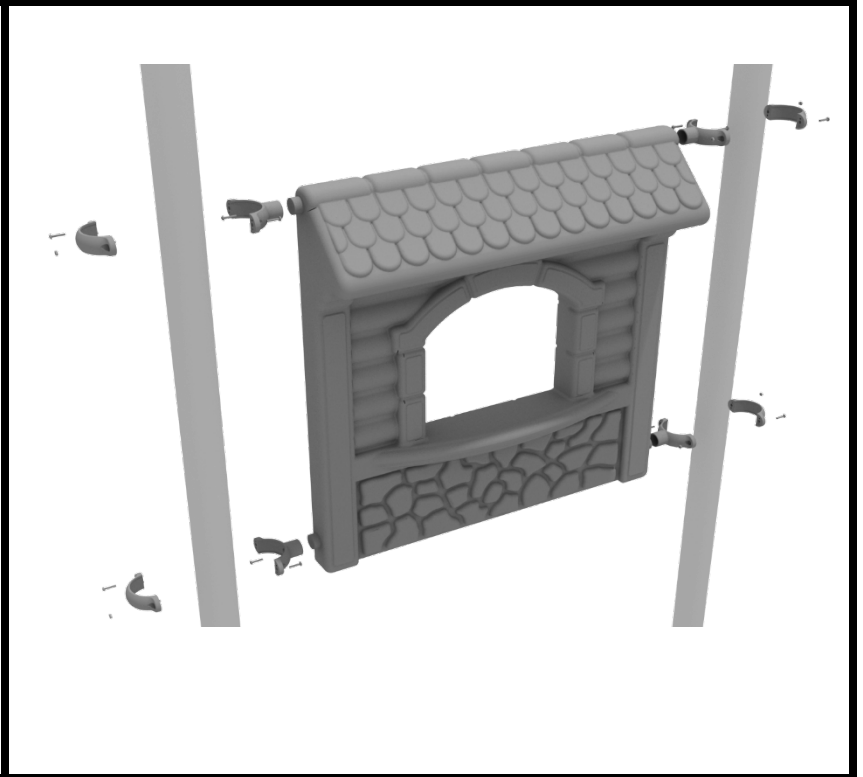
Connect the bench panel to the designated post using four (4) 4.5-inch tube clamps.



# 4.5-inch Store Panel Installation

## STEP: 1

Connect the store panel to the designated post using four (4) 4.5-inch tube clamps.

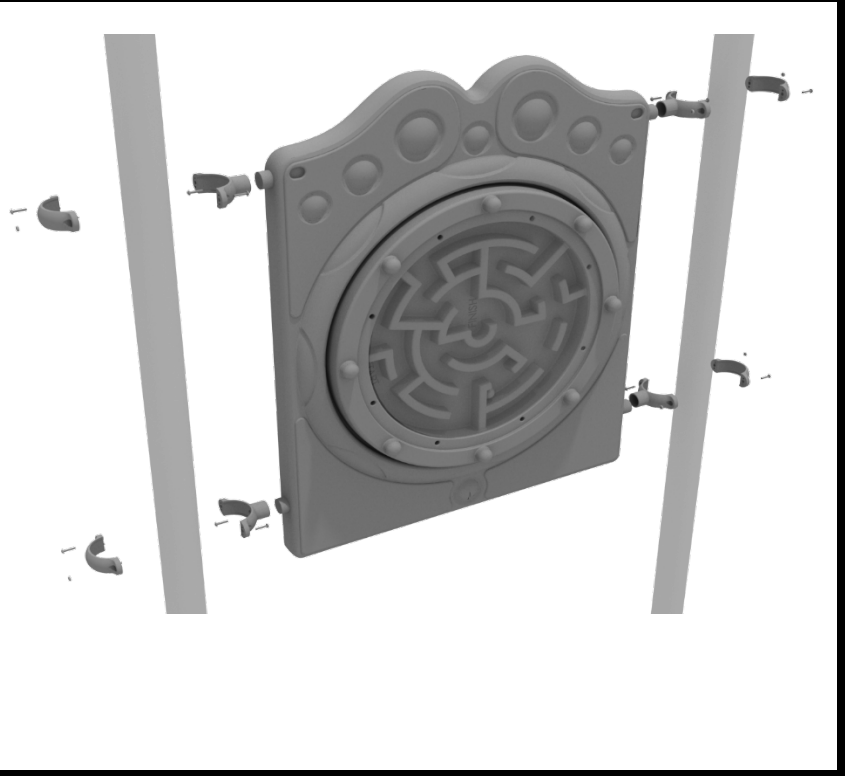




# 4.5-inch Ball Maze Installation

## STEP: 1

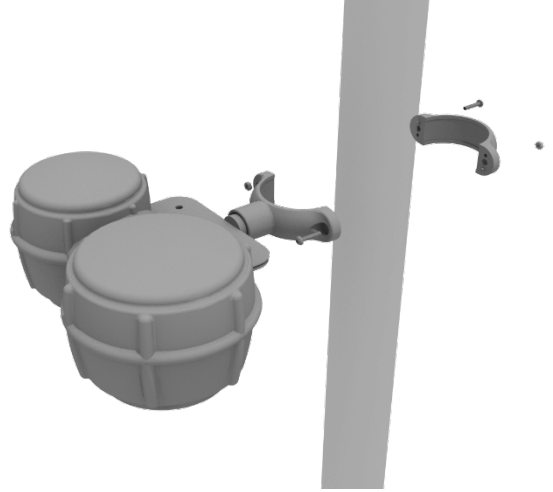
Connect the Ball Maze panel to the designated post using four (4) 4.5-inch tube clamps.



# Bongos Installation

## STEP: 1

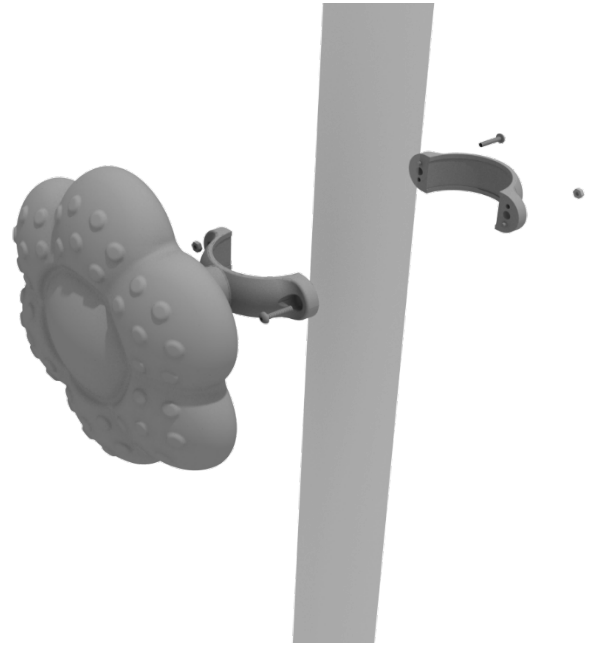
Detach half of the tube clamp connected to the Bongos, and re-attach the clamp around the support post, as shown in the image. Recommended install height is 20 to 36 inches above surfacing depending on age range.



# Rain Wheel Installation

## STEP: 1

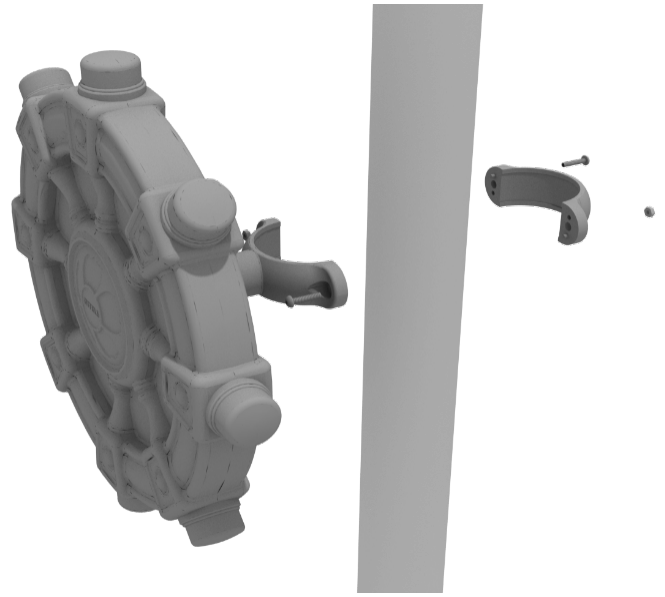
Detach half of the tube clamp connected to the Rain Wheel, and re-attach the clamp around the support post, as shown in the picture. Recommended install height is 20 to 36 inches above surfacing depending on age range.



# Ships Wheel Installation

## STEP: 1

Detach half of the tube clamp connected to the Ships Wheel, and re-attach the clamp around the support post, as shown in the picture. Recommended install height is 20 to 36 inches above surfacing depending on age range.



# Single Drum Installation

## STEP: 1

Detach half of the tube clamps connected to the Single Drum, and re-attach the clamps around the support post, as shown in the image. Recommended install height is 20 to 36 inches above surfacing depending on age range.

