


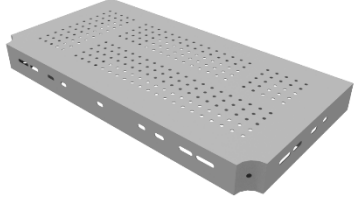
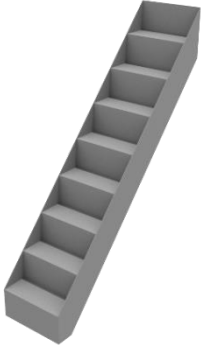





PSL021 6-foot Freestanding Slide Instructions






Colors depicted in photos
may not match your order.

1 Playground Drive
Greenfield, IN 46140
1-800-667-0097

PARTS LIST

| | | | |
|--|---|---|---|
| 3.5-inch Post |  | Deck for Freestanding Slide |  |
| QTY: 2 | | QTY: 1 | |
| Part #1 | | Part #2 | |
| 6-foot Stair for Freestanding Slide |  | 6-foot Handrail for Freestanding Slide |  |
| QTY: 1 | | QTY: 2 | |
| Part #3 | | Part #4 | |
| Slide End Mount |  | Wave Slide Middle Support |  |
| QTY: 1 | | QTY: 1 | |
| Part #5 | | Part #6 | |
| Single Slide Metal Barrier |  | 6-foot Wave Slide |  |
| QTY: 2 | | QTY: 1 | |
| Part #7 | | Part #8 | |

| | | | |
|-----------------------------------|---|-----------------------------------|---|
| <p>Single Slide Hood</p> |  | <p>3.5-inch Flat Clamp</p> |  |
| <p>QTY: 1</p> | | <p>QTY: 2</p> | |
| <p>Part #9</p> | | <p>Part #10</p> | |
| <p>3.5-inch Tube Clamp</p> |  | | |
| <p>QTY: 2</p> | | <p>QTY:</p> | |
| <p>Part #11</p> | | <p>Part #12</p> | |

STEP 1

Install posts according to the General Information Guide. After installing the posts, using one (1) M10*35 bolt, two (2) M10 washers, and one (1) M10 lock nut, attach the deck to the pre-attached deck clamp, as shown in the image. Repeat this process for the other deck clamp.



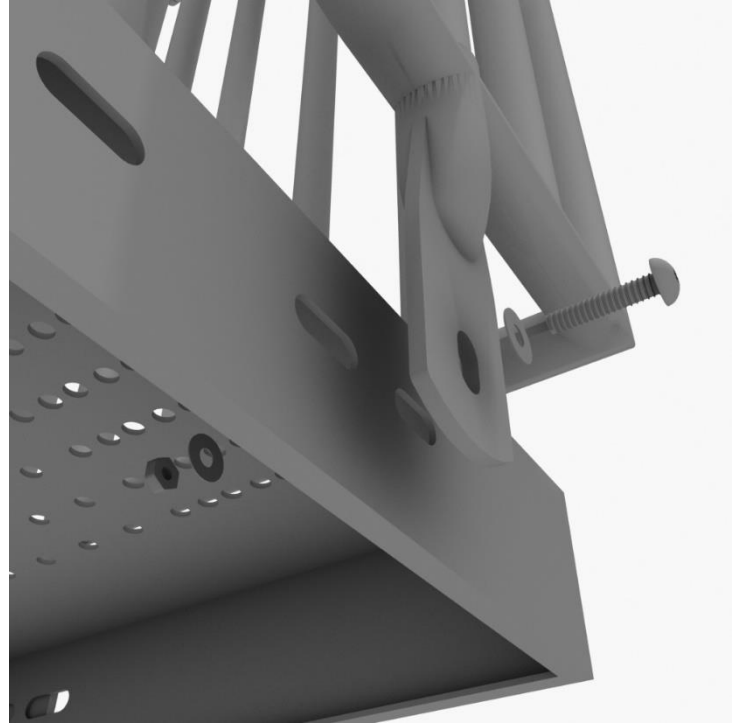
STEP 2

Connect half of the 3.5-inch tube clamp to the guardrail using one (1) M8*30 bolt. Set the guardrail into place, then attach the second half of the clamp using the hardware provided in the clamp bag.



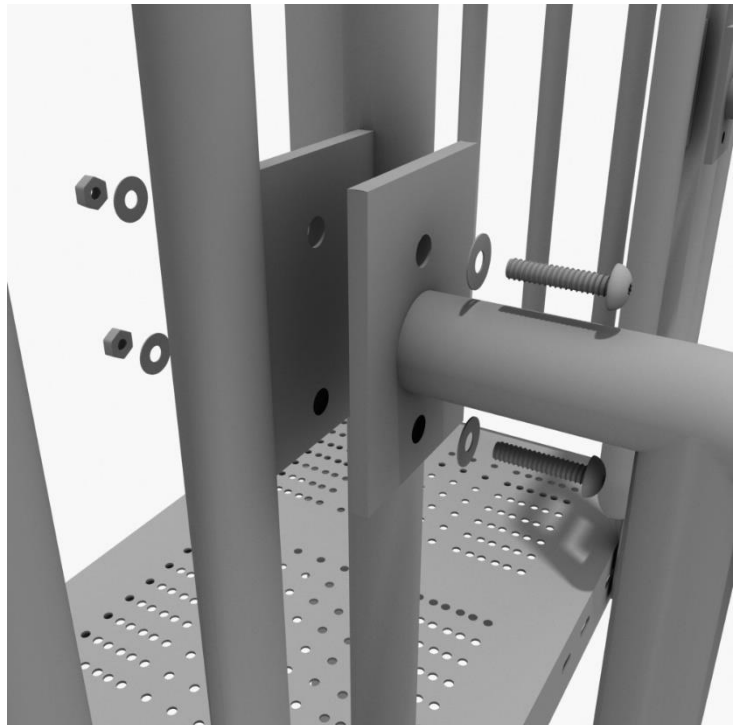
STEP 3

Using two (2) M10*25 bolts, four (4) M10 washers, and two (2) M10 lock nuts, connect the guardrail to the deck. Repeat steps 2 and 3 for the other guardrail.



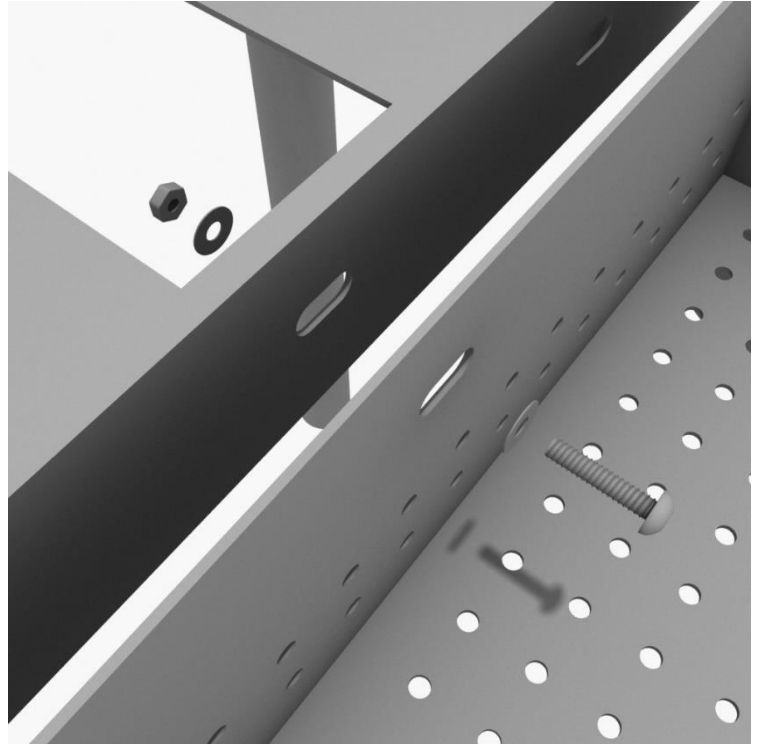
STEP 4

Using two (2) M10*25 bolts, four (4), and two (2) lock nuts, connect the handrail to the guardrail as shown. Set the bottom end of the handrail into footing. Information for digging footers can be found in the General Installation Guide.



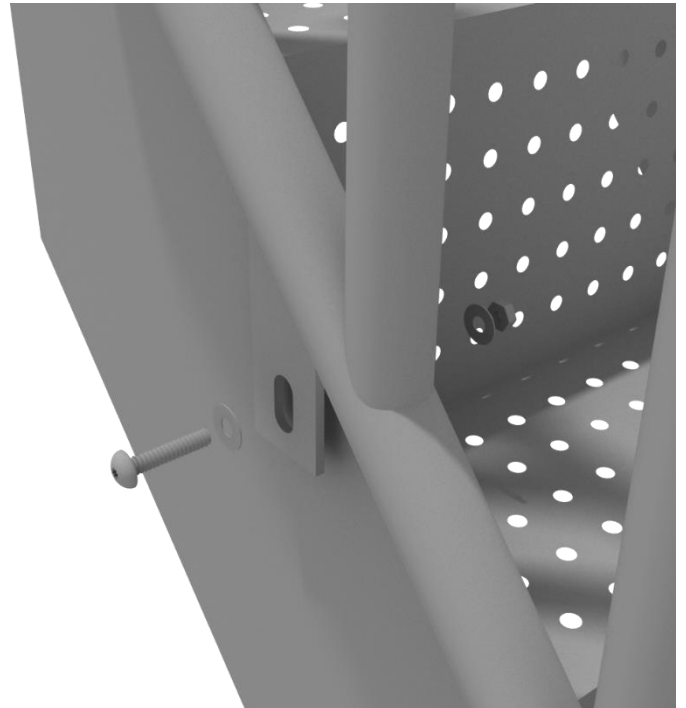
STEP 5

Using one (1) M10*25 bolt, two (2) M10 washers, and one (1) M10 lock nut, attach the top of the stairway to the deck on the opposite side of the posts. Repeat this step for remaining attachment points.



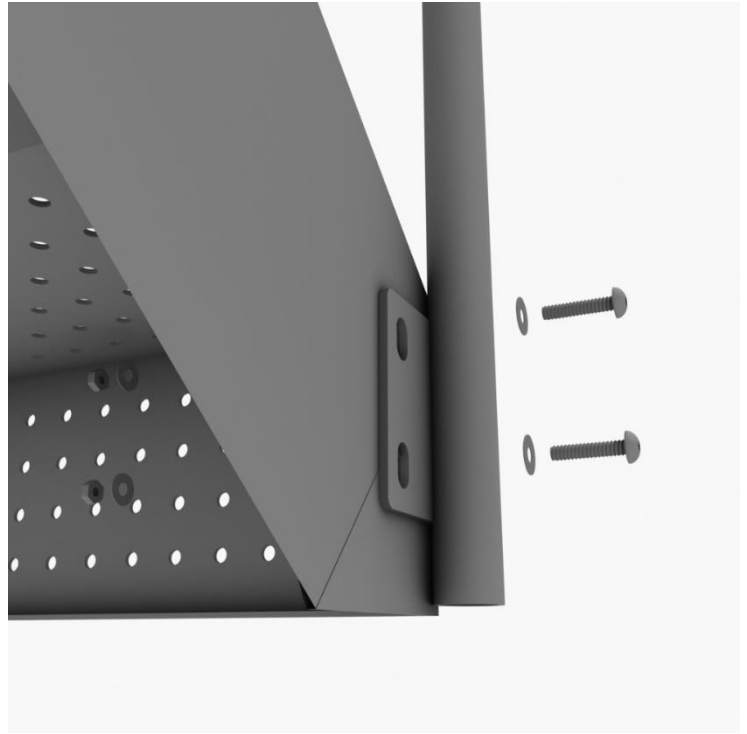
STEP 8

Using one (1) M10*25 bolt, two (2) M10 washers, and one (1) lock nut, attach one stair handrail bracket to the proper stair connection point. Repeat this process for the remaining connection points.



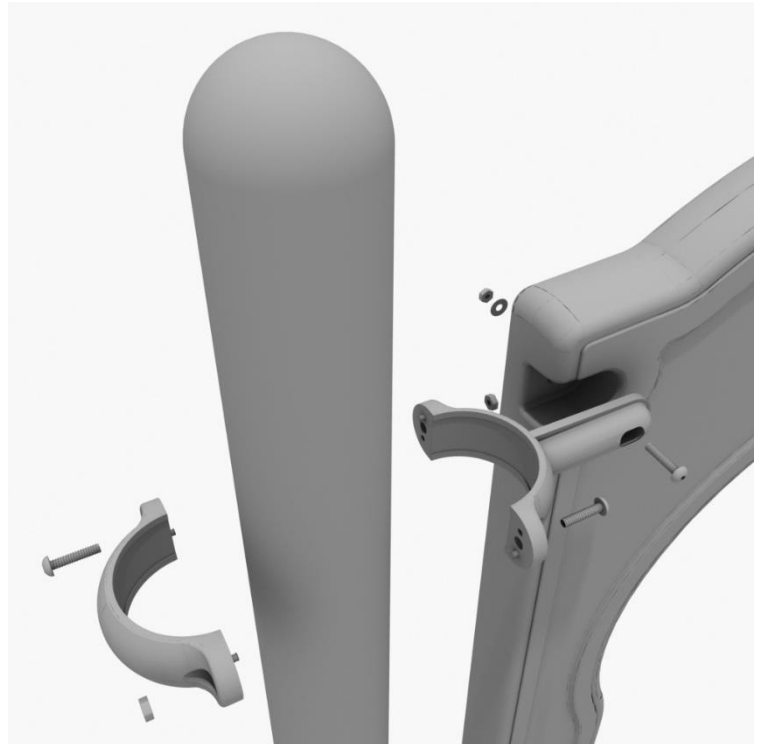
STEP 7

Using two (2) M10*25 bolts, four (4) M10 washers, and two (2) M10 lock nuts, connect the bottom of the handrail to the stair.



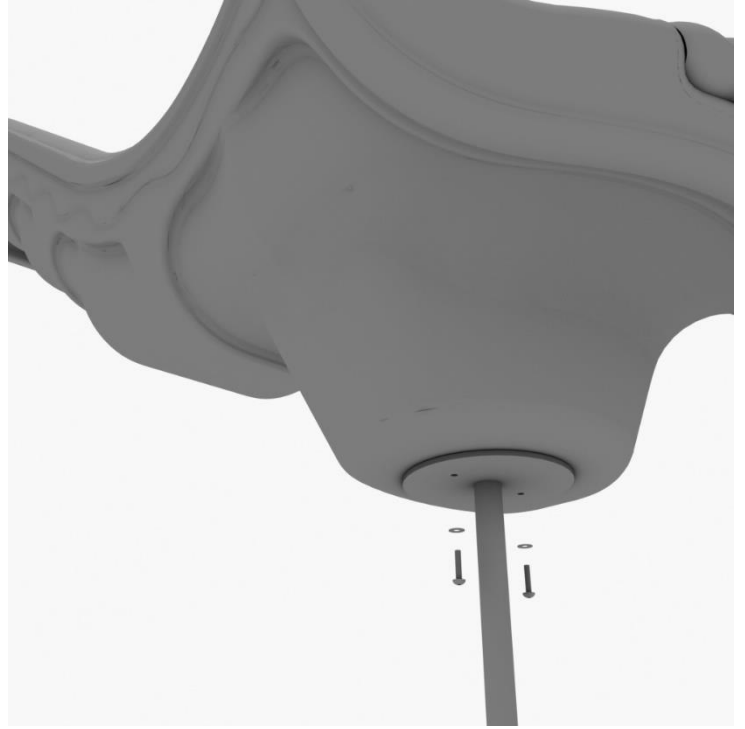
STEP 8

Take one (1) 3.5-inch flat clamp, and loosely attach it around a post using the bolts and nuts provided in the clamp hardware bag. Repeat this process on the other post. Then, use one (1) M8*40 bolt, one (1) M8 washer, and one (1) M8 lock nut to attach each side of the slide hood to each clamp. Leave bolts loose until slide is in place.



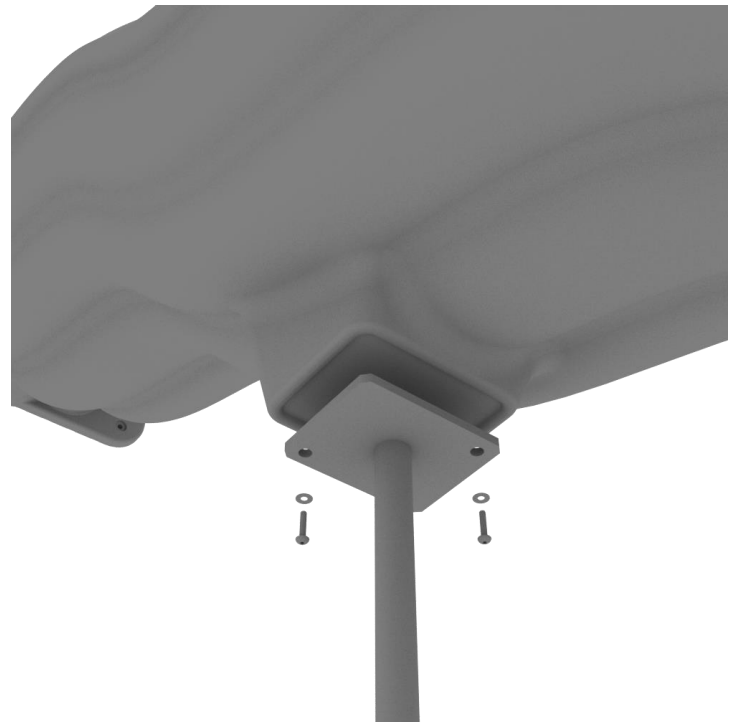
STEP 9

Using two (2) M8*20, two (M8) spring gaskets, and two (2) M8 washers, attach the slide to the slide end mount.



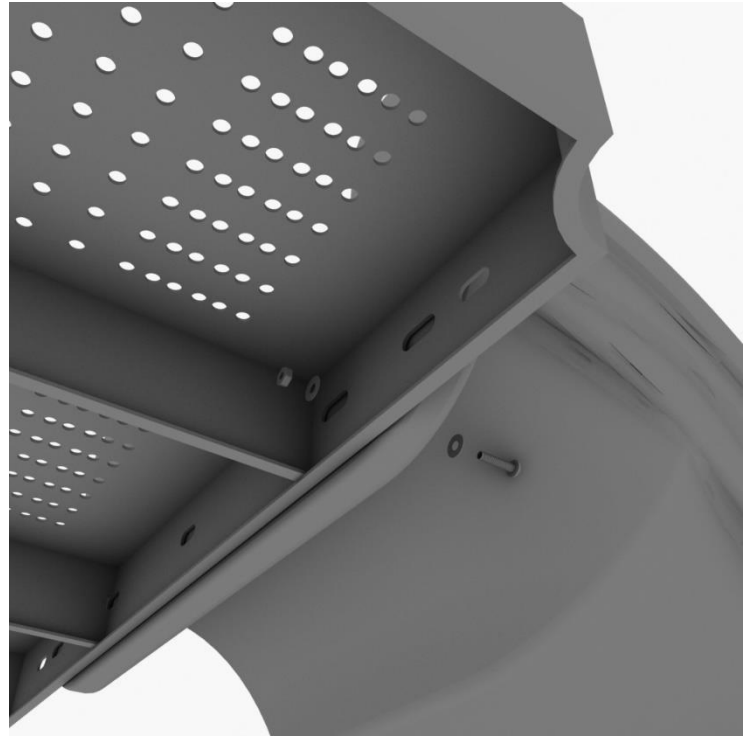
STEP 10

Using two (2) M8*20 bolts, two (2) M8 lock nuts, and four (4) M8 washers, attach the middle slide support to the bracket under the slide.



STEP 11

Using one (1) M10*45 bolt, two (2) M10 washers, and two (2) M10 lock nuts, attach one side of the slide to the deck. Repeat the process for the other side of the slide.



STEP 12

Using one (1) M8*45 bolt, one (1) M8 washer, one (1) M12 washer, and one (1) M12 Inner hex spiral nut, attach the slide to one side of the slide hood. Repeat this process for the other side of the slide. Make sure all bolts are properly tightened.

